



Item: #911-625
Artículo: #911-625
Model: #C602H
Modelo: #C602H

USE AND CARE GUIDE

60-GALLON STATIONARY AIR COMPRESSOR

Questions, problems, missing parts?
Before returning to the store, call
Husky Customer Service
8 a.m. - 6 p.m., EST, Monday - Friday

1-888-43-HUSKY

HUSKYTOOLS.COM



THANK YOU

We appreciate the trust and confidence you have placed in Husky through the purchase of this air compressor. We strive to continually create quality products designed to enhance your home. Visit us online to see our full line of products available for your home improvement needs. Thank you for choosing Husky!

Table of Contents

Safety Information	2	System Components	8
Work Area Safety	2	Placement of the Air Compressor	9
Personal Safety	3	Air Distribution System	10-11
Moving the Compressor	3	Tool Usage.....	12
Air Compressor and		Breaking in the Pump	13
Pneumatic Tool Safety	4	Installation	14
Electrical Safety	5	Operation	15-17
Warranty	6	Maintenance	18-23
Pre-Operation	7	Care and Cleaning	23
Specifications	7	Troubleshooting	24-25
Duty Cycle.....	7		
Package Contents	7		

Safety Information

This manual contains information that is important for you to know and understand. This information relates to protecting your safety and preventing equipment problems. To help you recognize this information, we use the following symbols. Please read the manual and pay attention to these symbols.



DANGER: Indicates an imminently hazardous situation which, if not avoided, will result in death or serious injury.



WARNING: Indicates a potentially hazardous situation which, if not avoided, could result in death or serious injury.



CAUTION: Indicates a potentially hazardous situation which, if not avoided, may result in minor or moderate injury.



NOTICE: Indicates a practice not related to personal injury which, if not avoided, may result in property damage.

WORK AREA SAFETY

- Keep your work area clean and well lit. Ensure floors are not slippery from wax or dust.
- Operate the air compressor in an open area at least 18 in. (0.5 m) away from any wall or object that could restrict the flow of fresh air to ventilation openings.



WARNING: This compressor is not equipped for, and should not be used to supply breathing air. Additional equipment would be necessary to properly filter and purify the air to meet minimal specifications for Grade D breathing, as described in Compressed Gas Association Commodity, Specification G 7.1 - 1966, OSHA 29 CFR 1910.134. Compressed Gas Association, 4221 Walney Road, Fifth Floor, Chantilly, VA 20151-2923, (703) 788-2700, www.cganet.com. Any such additional equipment has not been examined and no implication of proper use for breathing air is intended or implied.



CAUTION: Always disconnect the air supply and power supply before making adjustments, servicing a tool, or when a tool is not in use.



WARNING: Do not operate power tools in explosive atmospheres, such as in the presence of flammable liquids, gases, or dust. Power tools create sparks which may ignite the dust or fumes. Keep bystanders, children, and visitors away while operating tools. Distractions can cause you to lose control.

Safety Information (continued)

PERSONAL SAFETY

- Keep proper footing and balance at all times. Proper footing and balance enables better control of the tool in unexpected situations.
- Do not use on a ladder or unstable support.

MOVING THE AIR COMPRESSOR

- When transporting the compressor in a vehicle, trailer, etc., make sure the tank is drained and the unit is secured with straps to prevent tipping. Use care when driving to prevent tipping the unit over in the vehicle. Damage can occur to the compressor or surrounding items if the compressor is tipped. The compressor is too heavy to be lifted by one person. Obtain assistance from others before lifting.



WARNING: Operating any power tool can result in foreign objects being thrown into your eyes, which can result in severe eye damage. Before beginning operation, always wear safety goggles, safety glasses with side shields, or a full face shield when needed. Always use eye protection marked to comply with ANSI Z87.1.



WARNING: CONTAINS LEAD. May be harmful if eaten or chewed. May generate dust containing lead. Wash hands after use. Keep out of reach of children.



WARNING: This product can expose you to chemicals including lead, which is known to the State of California to cause cancer and birth defects or other reproductive harm. For more information go to www.P65Warnings.ca.gov.



WARNING: Use safety equipment. Always wear eye protection with side shields when operating power tools. A dusk mask, non-skid safety shoes, hard hat, or hearing protection must be used for appropriate conditions.



WARNING: Stay alert when operating a power tool. Do not use the tool while tired or under the influence of drugs, alcohol, or medication.



WARNING: Do not wear loose clothing or jewelry. Contain long hair. Keep your hair, clothing, and gloves away from moving parts. Loose clothes, jewelry, or long hair can be caught in moving parts.



WARNING: Never touch any exposed metal parts on compressor during or immediately after operation. The compressor will remain hot for several minutes after operation. Do not reach around protective shrouds or attempt maintenance until the unit has been allowed to cool.



CAUTION: The compressor is too heavy to be lifted by one person. Obtain assistance from others before lifting.

Safety Information (continued)

AIR COMPRESSOR AND PNEUMATIC TOOL SAFETY

- Keep compressors as far from the spraying area as possible: at least 15 ft. (4.6 m) from the spraying area and all explosive vapors.
- If connected to a circuit protected by fuses, use time-delay fuses with this product.
- Ensure the hose is free of obstructions or snags. Entangled or snarled hoses can cause loss of balance or footing, and may become damaged.
- Use the air compressor only for its intended use. Do not alter or modify the unit from the original design or function. Never weld or drill holes in the air tank.
- Never leave a tool unattended with the air hose attached.
- Do not operate this tool if it does not contain a legible warning label.
- Do not continue to use a tool or hose that leaks air or does not function properly.
- Do not attempt to pull or carry the air compressor by the hose.
- Your tool may require more air consumption than this air compressor is capable of providing.
- Never direct a jet of compressed air toward people or animals.
- Protect your lungs. Wear a face or dust mask if the operation is dusty.
- Do not use this air compressor to spray chemicals. Your lungs can be damaged by inhaling toxic fumes. A respirator may be necessary in dusty environments or when spraying paint.
- This compressor is equipped with a thermal overload protector which will shut off the motor if it becomes overheated.



WARNING: Do not attempt to modify this tool or create accessories not recommended for use with this tool. Any such alteration or modification is misuse and could result in a hazardous condition leading to possible serious personal injury.



CAUTION: Do not use the compressor in an environment that is dusty or otherwise contaminated. Using the air compressor in this type of environment may cause damage to the unit.



CAUTION: Risk of bursting. Do not adjust the regulator to result in output pressure greater than the marked maximum pressure of the attachment. Do not use at pressure greater than the rated maximum pressure of this compressor.



CAUTION: To reduce the risk of electric shock, do not expose the compressor to rain. Store indoors.

Safety Information (continued)

ELECTRICAL SAFETY (ELECTRICAL CONNECTION)

- This air compressor is powered by a precision built electric motor. It should be connected to a power supply that is 240 volts, 60 Hz, AC only.
- Do not operate this tool on direct current (DC). A substantial voltage drop will cause a loss of power and the motor will overheat. If the air compressor does not operate when plugged into an outlet, double check the power supply.

ELECTRICAL SAFETY (SPEED AND WIRING)

- The no-load speed of this product is approximately 2,000 rpm. This speed is not constant and decreases under a load or with lower voltage.
- For voltage, the wiring in a shop is as important as the motor's horsepower rating. A line intended only for lights cannot properly carry a power tool motor. Wire that is heavy enough for a short distance will be too light for a greater distance. A line that can support one power tool may not be able to support two or three products.

ELECTRICAL SAFETY (GROUNDING INSTRUCTIONS)

- This product must be connected to a grounded, metallic, permanent wiring system, or an equipment-grounding terminal or lead on the product.



WARNING: Improperly connecting the equipment-grounding conductor can result in a risk of electric shock.



CAUTION: Avoid body contact with grounded surfaces such as pipes, radiators, ranges, and refrigerators. There is an increased risk of electric shock if your body is grounded.



CAUTION: Do not expose power tools to rain or wet conditions. Water entering a power tool will increase the risk of electric shock.



CAUTION: Replace damaged cords/wiring immediately. Damaged cords/wiring increase the risk of electric shock.

Warranty

LIMITED WARRANTY

WHAT IS COVERED

The manufacturer warrants to the original retail purchaser that this product is free from defect in material and workmanship and agrees to repair or replace, at the manufacturer's discretion, any defective product free of charge within these time periods from the date of purchase.

This warranty is valid for two (2) years if the product is used for personal, family, or household use, and ninety (90) days if used for any other purpose, such as commercial or rental use.

This warranty extends to the original retail purchaser only and commences on the date of the original retail purchase.

Any part of the product manufactured or supplied by the manufacturer and found in the reasonable judgment of the manufacturer to be defective in material or workmanship will be repaired or replaced by an authorized service dealer without charge for parts and labor.

The product, including any defective part, must be returned to an authorized service dealer within the warranty period. The expense of delivering the manufacturer's product to the dealer for warranty work and the expense of returning it back to the owner after repair or replacement will be paid by the owner. The manufacturer's responsibility in respect to claims is limited to making the required repairs or replacements and no claim of breach of warranty shall be cause for cancellation or rescission of the contract of sale of any of the manufacturer's product. Proof of purchase will be required by the dealer to substantiate any warranty claim. All warranty work must be performed by an authorized service dealer.

WHAT IS NOT COVERED

This warranty does not cover any of the manufacturer's product that has been subject to misuse, neglect, negligence, accident, or that has been operated in any way contrary to the operating instructions as specified in this manual. This warranty does not apply to any damage to the manufacturer's product that is the result of improper maintenance or to any manufacturer's product that has been altered or modified. The warranty does not extend to repairs made necessary by normal wear or by the use of parts or accessories which are either incompatible with the manufacturer's product or adversely affect its operation, performance, or durability.

The manufacturer reserves the right to change or improve the design of any product without assuming any obligation to modify any product previously manufactured. All implied warranties are limited in duration to the stated warranty period. Accordingly, any such implied warranties including merchantability, fitness for a particular purpose, or otherwise, are disclaimed in their entirety after the expiration of the appropriate two-year or ninety day warranty period. The manufacturer's obligation under this warranty is strictly and exclusively limited to the repair or replacement of defective parts and the manufacturer does not assume or authorize anyone to assume for it any other obligation. Some states do not allow limitations on how long an implied warranty lasts, so the above limitation may not apply to you. The manufacturer assumes no responsibility for incidental, consequential, or other damages including, but not limited to, expense of returning the manufacturer's product to an authorized service dealer and expense of delivering it back to the owner, mechanic's travel time, telephone or telegram charges, rental of a like product during the time warranty service is being performed, travel, loss or damage to personal property, loss of revenue, loss of use of the product, loss of time, or inconvenience. Some states do not allow the exclusion or limitation of incidental or consequential damages, so the above limitation or exclusion may not apply to you.

This warranty gives you specific legal rights, and you may also have other rights which vary from state to state.

Contact the Customer Service Team at 1-888-43-HUSKY or visit www.huskytools.com.

Pre-Operation

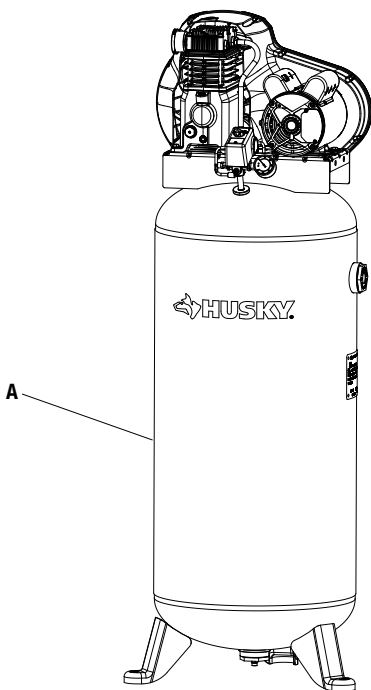
SPECIFICATIONS

Running horsepower	3.7 HP
Air tank capacity	60 gallons
Air pressure	155 psi maximum
Air delivery	13.4 SCFM at 40 psi 11.5 SCFM at 90 psi
Tank fill time	7 minutes
Lubrication	Oil lube
Input	240V, 60 Hz, Single phase - AC only, 15 Amps.
Minimum branch circuit requirement	20 A
Fuse type	Time delay
Net weight	Approximate 200 lbs.

DUTY CYCLE

This air compressor pump is capable of running continuously. However, to prolong the life of your air compressor, it is recommended that a 50% average duty cycle be maintained; that is, the air compressor pump should not run more than 30 minutes in any given hour.

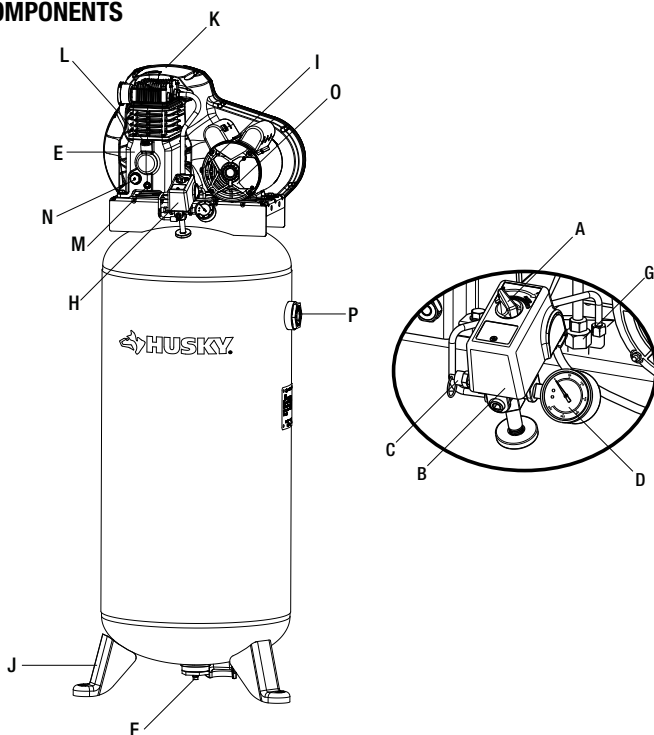
PACKAGE CONTENTS



Pièce	Description	Quantity
A	Air Compressor Unit (fully assembled)	1

Pre-Operation (continued)

SYSTEM COMPONENTS



Part	Description
A	AUTO (I) / OFF (O) Switch: Turn this switch in the "Auto (I)" position to provide automatic power to the pressure switch and "Off (O)" to remove power at the end of each use.
B	Pressure Switch: The pressure switch automatically starts the motor when the air tank pressure drops below the factory set "cut-in" pressure. It stops the motor when the air tank pressure reaches the factory set "cut-out" pressure.
C	Safety Valve: If the pressure switch does not shut off the air compressor at its "cut-out" pressure setting, the safety valve will protect against high pressure by "popping out" at its factory set pressure (slightly higher than the pressure switch "cut-out" setting).
D	Tank Pressure Gauge: The tank pressure gauge indicates the reserve air pressure in the tank.
E	Air Compressor Pump: Compresses air into the air tank. Working air is not available until the compressor has raised the air tank pressure above that required at the air outlet.
F	Drain Valve: The drain valve is located at the base of the air tank and is used to drain condensation at the end of each use.
G	Check Valve: When the air compressor is operating, the check valve is "open", allowing compressed air to enter the air tank. When the air compressor reaches "cut-out" pressure, the check valve "closes", allowing air pressure to remain inside the air tank.
H	Pressure Relief Valve: The pressure relief valve located on the side of the pressure switch is designed to automatically release compressed air from the compressor head and the outlet tube when the air compressor reaches "cut-out" pressure or is shut off. The pressure relief valve allows the motor to restart freely. When the motor stops running, air will be heard escaping from this valve for a few seconds. No air should be heard leaking when the motor is running or after the unit reaches "cut-out" pressure.

Pre-Operation (continued)

Part	Description
I	Thermal Overload Reset: This motor has a manual thermal overload protector. If the motor overheats for any reason, the overload protector will shut off the motor. The motor must be allowed to cool down before restarting. To restart: <ol style="list-style-type: none">1. Place the AUTO/OFF switch in the "Off" position.2. Allow the motor to cool.3. Depress the red reset button on the motor.4. Place the Auto/Off switch in the "Auto" position to restart the motor.
J	Compressor Feet: The compressor feet are used to stabilize the compressor and used as brackets when mounting to the floor.
K	Belt Guard: The belt guard is a protective enclosure for moving parts.
L	Pump Oil Fill: The pump oil fill is used to add oil to the crankcase.
M	Pump Oil Drain: The pump oil drain is used to purge old oil from the pump. Loosening the drain plug will allow oil to exit the pump crankcase.
N	Pump Oil Sight Glass: The pump oil sight glass is a visual identifier for oil level in the crankcase.
O	Motor: The motor is the drive component powered by electricity to rotate the pump by a belt pulley system.
P	Air Outlet: The air outlet is a connection point to provide useable air for the tools.

PLACEMENT OF THE AIR COMPRESSOR



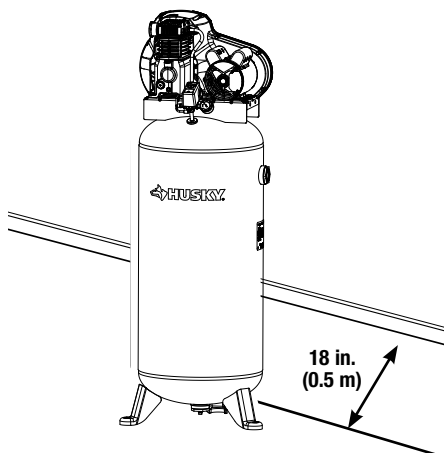
WARNING: If any parts are damaged or missing do not operate this product until the parts are replaced. Failure to heed this warning could result in serious personal injury.



CAUTION: Do not use in an environment that is dusty or otherwise contaminated. Using the air compressor in this type of environment may cause damage to the unit.

NOTICE: Long lengths of electrical wiring could cause power loss to the motor.

- Place the air compressor in a clean, dry, and well ventilated area.
- The air compressor must be positioned at least 18 in. (0.5 m) away from the wall or other obstructions that will interfere with the flow of air.
- Locate the air compressor as close to the main power supply as possible to avoid using long lengths of electrical wiring.
- The air filter must be kept clear of obstructions which could reduce the air flow to the air compressor.



Pre-Operation (continued)

AIR DISTRIBUTION SYSTEM

The diagram on the following page represents a typical air distribution system. The following are tips to remember when setting up the air compressor's air distribution system.

- Use a pipe that is the same size as the air tank outlet. Piping that is too small will restrict the flow of air.
- If the piping is over 100 ft. (30.5 m) long, use the next larger size.
- Bury underground lines below the frost line and avoid pockets where condensation can gather and freeze. Apply pressure before the underground lines are covered to make sure all the pipe joints are free of leaks.
- A flexible coupling is recommended to be installed between the globe valve/air discharge outlet and the main air distribution line to allow for vibration.
- A separate regulator is recommended to control the air pressure. Air pressure from the tank is usually too high for individual air driven tools.
- Do not install the lubricators between the tank and any spray equipment, air tool, or accessory requiring oil-free, filtered air.
- Drain all traps, filters, and dirt legs daily.



WARNING: Risk of bursting. Plastic or PVC pipe is not designed for use with compressed air. Regardless of its indicated pressure rating, plastic pipe can burst from air pressure. Use only metal pipe for air distribution lines.

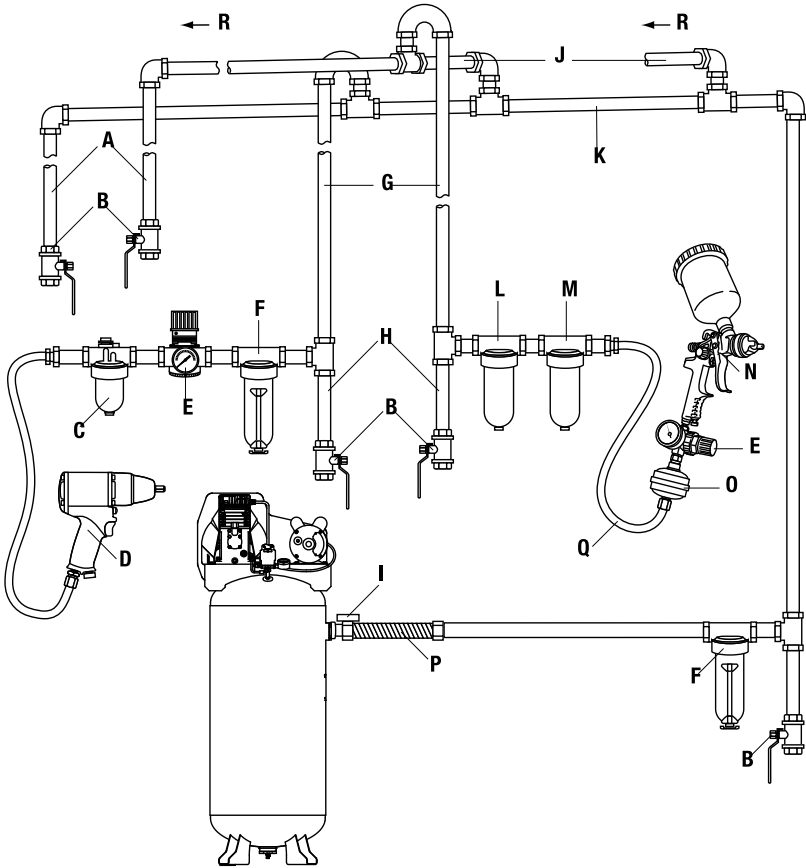


WARNING: Risk of bursting. Always use metal piping and fittings.

NOTICE: Compressed air from the oil lube air compressors will contain water condensation and oil mist. Several drains, traps, and filters will be needed to supply air without water (including aerosols) or oil to the spray equipment, air tools, and accessories requiring filtered air. Always read the instructions for the air tools and accessories being used.

Pre-Operation (continued)

TYPICAL COMPRESSED AIR DISTRIBUTION SYSTEM



Part	Description
A	Drain Legs
B	Drain Valves
C	Lubricator
D	Air Tool
E	Regulator
F	Filter / Moisture Trap
G	Air Usage Lines
H	Dirt Legs
I	Air Discharge Valve
J	Feeder Lines Slope with Air Flow
K	Main Distribution Air Lines - Slope pipe in direction of air flow. Water condensate flows along bottom of pipe to drain legs, preventing it from entering feeder lines.

Part	Description
L	5 Micron Filter
M	.01 Micron Filter
N	Spray Gun
O	Ball Fitter
P	Flexible Coupling
Q	For Best Performance - The distance between the compressor and the moisture trap should be as long as possible.
R	Air Flow




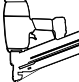
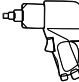
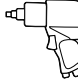

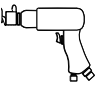

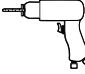





Pre-Operation (continued)

TOOL USAGE

○ = Continuous

◐ = Intermittent

○ = Not Recommended

Tool	Inflation	Finishing nailing		Framing/ Roofing	Bolting			
								
Recommended Tool Use	○	○	○	○	○	○	○	
Tool	Cutting/Drilling			Surface Prep		Painting	HVLP Painting	Grease Gun
								
Recommended Tool Usage	○	○	○	◐	◐	○	◐	○

Pre-Operation (continued)

BREAKING IN THE PUMP

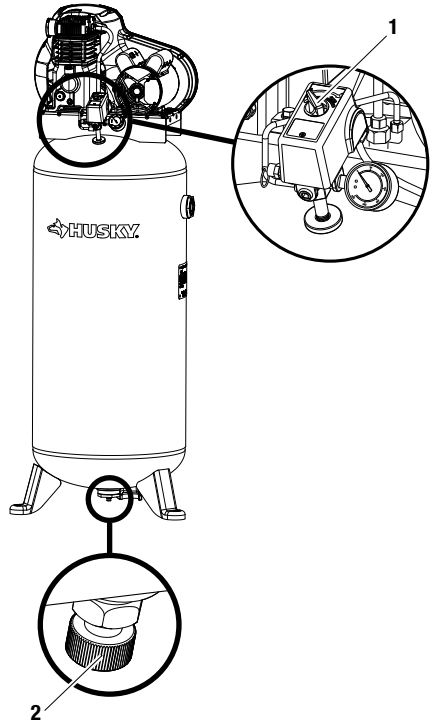
NOTICE: Risk of property damage. Serious damage may result if the following break-in instructions are not closely followed.

NOTICE: Minor leaks can cause the air compressor to overwork, resulting in premature breakdown or inadequate performance.

This procedure is required before the air compressor is put into service and when the check valve or a complete compressor pump has been replaced.

- Make sure the AUTO/OFF switch (1) is in the “Off” position.
- Check oil level in the pump. See the *Maintenance* section for instructions.
- Check all the wiring. Make sure the wires are secure at all terminals and connections. Make sure all contacts move freely and are not obstructed.
- Open the drain valve (2) fully to permit air to escape and prevent air pressure build-up in the air tank during the break-in period.
- Move the AUTO/OFF switch (1) to the “AUTO” position. The compressor will start.
- Run the air compressor for 20 minutes. Make sure the drain valve and all air lines are open so there is only a minimal air pressure build-up in the tank.
- Check all the air line fittings and connections/piping for air leaks by applying a soap solution. Correct if necessary.
- Check for excessive vibration. Readjust or shim the air compressor feet, if necessary.
- After 20 minutes, close the drain valve (2). The air receiver will fill to “cut-out” pressure and the motor will stop.

The air compressor is now ready for use.



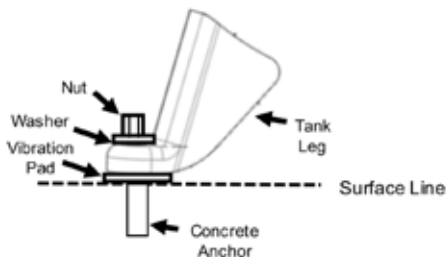
1 Anchoring of the air compressor



WARNING: Risk of bursting. Excessive vibration can weaken the air tank and cause an explosion. The compressor must be properly mounted.

The air compressor must be bolted to a level, solid concrete surface. Use concrete anchors, nuts (for tightening the anchors), washers, and vibration pads (see Service Parts) under each tank leg. Shims may be required to level the compressor (not shown).

- Place the air compressor on a level, solid surface. Make sure the concrete is in good condition with no cracks or damage.
- Mark the surface of the concrete using the holes in the legs of the compressor as a template.
- Drill holes in the concrete for the anchors. Install the anchors into the concrete.
- Place each vibration pad over the anchors. The rubber portion of the pad must be in contact with the floor.
- Install the compressor with each anchor going through the hole in each compressor leg. This may require assistance to prevent injury.
- Make certain the vibration pads are positioned properly under each leg.
- Place a washer on top of each leg and install the nut for each anchor.
- Tighten each nut to 7-10 ft/lbs. (9.5-13.5 Nm).



1 Preparing for start-up



WARNING: Risk of unsafe operation. Firmly grasp air hose in hand when installing or disconnecting to prevent hose whip.



WARNING: Risk of unsafe operation. Do not use damaged or worn accessories.



WARNING: Risk of bursting. Too much air pressure causes a hazardous risk of bursting. Check the manufacturer's maximum pressure rating for air tools and accessories. The regulator outlet pressure must never exceed the maximum pressure rating.

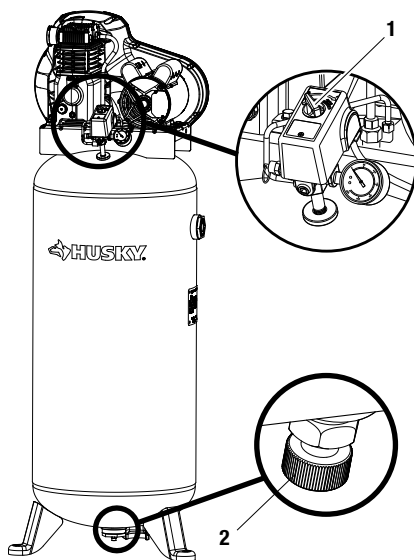


CAUTION: Risk of unsafe operation. Compressed air from the unit may contain water condensation and oil mist. Do not spray unfiltered air at an item that could be damaged by moisture. Some air tools and accessories may require filtered air. Read the instructions for the air tools and accessories.



NOTE: A regulator **MUST** be installed when using accessories rated at less than 150 psi. The hose or accessory will require a quick connect plug if the air outlet is equipped with a quick connect socket.

- Turn the AUTO (1) / OFF (0) switch (1) to the OFF (0) position.
- Close the drain valve (2).
- Visually inspect air lines and fittings for leaks.



2 Starting the compressor

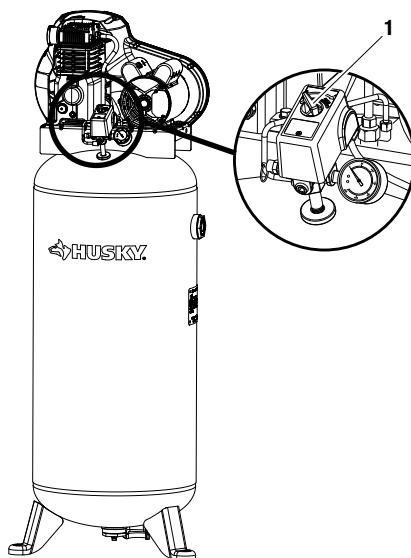


WARNING: Risk of bursting. If any unusual noise or vibration is noticed, stop the air compressor immediately and have it checked by a trained service technician.



NOTE: When using the regulator and other accessories, refer to the manufacturer's instructions.

- Plug the power cord into a proper receptacle.
- Turn the AUTO (1) / OFF (0) switch (1) to the AUTO (1) position, and allow the tank pressure to build. The motor will stop when the tank pressure reaches "cut-out" pressure.



3 Checking the safety valve

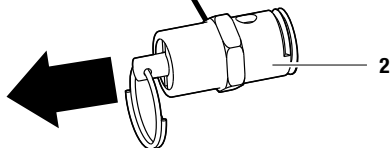
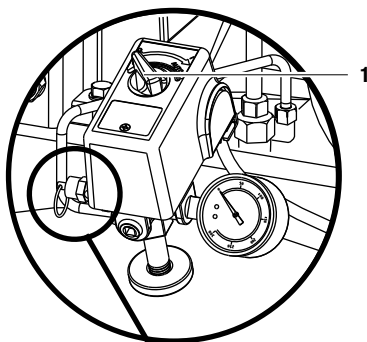


DANGER: Do not tamper with the safety valve. Items loosened from this device could fly up and hit you. Failure to heed this warning could result in death or serious personal injury. The safety valve automatically releases air when the receiver pressure exceeds the preset maximum. Check the valve before each day of use by pulling the ring by hand.



WARNING: If air leaks after releasing the safety valve ring or if the valve is stuck, do not use the air compressor until the safety valve has been replaced. Using the air compressor in this condition could result in serious personal injury.

- Set the AUTO (1) / OFF (0) switch (1) to the on position, and wait for the tank to fill. The compressor automatically shuts off when the pressure reaches the preset maximum.
- Set the AUTO (1) / OFF (0) switch (1) to the off position.
- Pull the ring on the safety valve (2) for 20 seconds to release the air.
- Release the ring. Air stops escaping at about 20 psi. If air continues to escape after releasing the safety valve ring, discontinue use and seek service before using the air compressor again.



WARNING: Risk from noise. Use ear protection (ANSI S12.6 S3.19), as air flow noise is loud when draining.

4 Running the air compressor



WARNING: Always ensure the switch is in the OFF position and using a regulator (not supplied) ensure pressure gauge reads zero before changing air tools or disconnecting the hose from the air outlet. Failure to do so could result in possible serious personal injury.

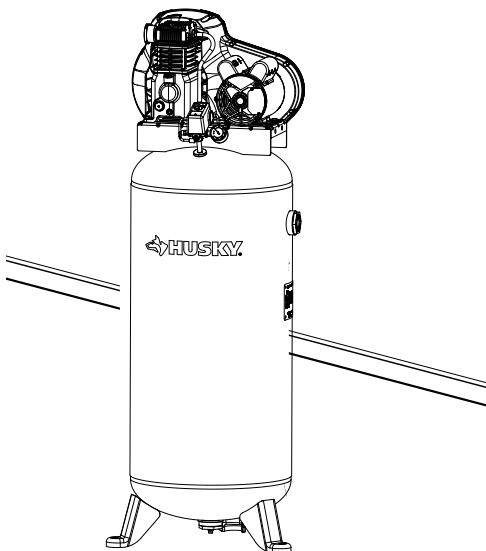


WARNING: Your tool may require more air consumption than this air compressor is capable of providing. Check tool manual to avoid damage to the tool or risk personal injury.



NOTE: Always use the minimum amount of air flow using a pressure regulator (not supplied). Using a higher pressure than needed will drain air from the tank more rapidly and cause the unit to cycle on more frequently.

- Never leave the unit plugged in and/or running unattended.
- When finished, always drain the tank and unplug the unit if applicable.



5 Draining the tank



WARNING: Risk of unsafe operation. Air tanks contain high pressure air. Keep face and other body parts away from outlet of drain. Use eye protection [ANSI Z87.1 (CAN/CSA Z94.3)] when draining, as debris can be kicked up into face.



WARNING: Risk from noise. Use ear protection (ANSI S12.6 (S3.19), as air flow noise is loud when draining.



WARNING: Risk of bursting. Water will condense in the air tank. If not drained, water will corrode and weaken the air tank causing a risk of air tank rupture.



NOTE: All compressed air systems generate condensate that accumulates in any drain point (e.g., tanks, filter, after-coolers, dryers). This condensate contains lubricating oil and/or substances which may be regulated and must be disposed of in accordance with local, state, and federal laws and regulations.

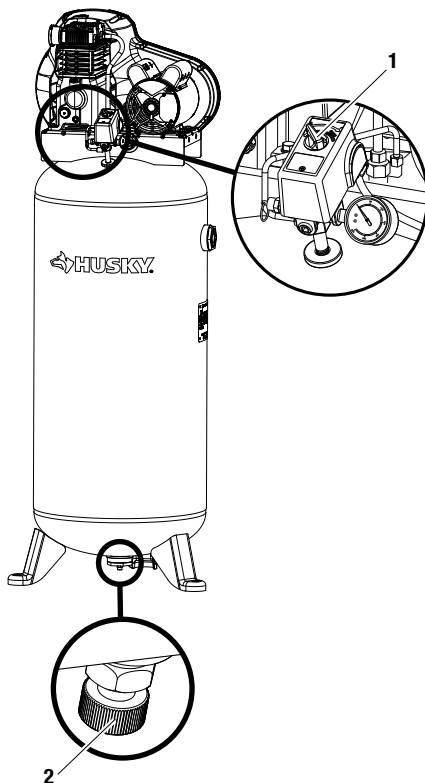


NOTE: If drain valve is plugged, release all air pressure. The valve can then be removed, cleaned, then reinstalled.



NOTE: Risk of property damage. Drained water from the air tank may contain oil and rust which can cause stains.

- Set the AUTO (1) / OFF (0) switch (1) to the OFF (0) position.
- Slowly bleed the air from the compressor tank by pulling the safety valve to allow the pressure to escape from the tank until the pressure is approximately 20 psi.
- Drain the water from the tank by opening the drain valve (2) on the bottom of the tank.
- After the water has been drained, close the drain valve (2). The air compressor can now be stored.



GENERAL MAINTENANCE

- Condensate forms in the tank when there is humidity in the air. Depending on the environmental conditions, drain the condensate daily and/or every hour. For instructions, see *Draining the tank*.
- The safety valve automatically releases air when the receiver pressure exceeds the preset maximum.
- Inspect the tank annually for rust, pin holes, or other imperfections that could cause it to become unsafe.
- Avoid using solvents when cleaning plastic parts. Most plastics are susceptible to damage from various types of commercial solvents and may be damaged by their use.
- Use clean cloths to remove dirt, dust, oil, grease, etc.



WARNING: When servicing, use only identical Husky replacement parts. Use of any other parts may create a hazard or cause product damage.



WARNING: Always release all pressure, disconnect from power supply, and allow unit to cool to the touch before cleaning or making repairs on the air compressor.



WARNING: Do not at any time let brake fluids, gasoline, petroleum-based products, penetrating oils, etc., come in contact with plastic parts. Chemicals can damage, weaken or destroy plastic which may result in serious personal injury. Electric tools used on fiberglass material, wallboard, spackling compounds, or plaster are subject to accelerated wear and possible premature failure because the fiberglass chips and grindings are highly abrasive to bearings, brushes, commutators, etc. Consequently, we do not recommend using this tool for extended work on these types of materials. However, if you do work with any of these materials, it is extremely important to clean the tool using compressed air.

Maintenance (continued)

CHECKING THE OIL



WARNING: Drain the tank to release the air pressure before removing the oil fill cap or oil drain plug.



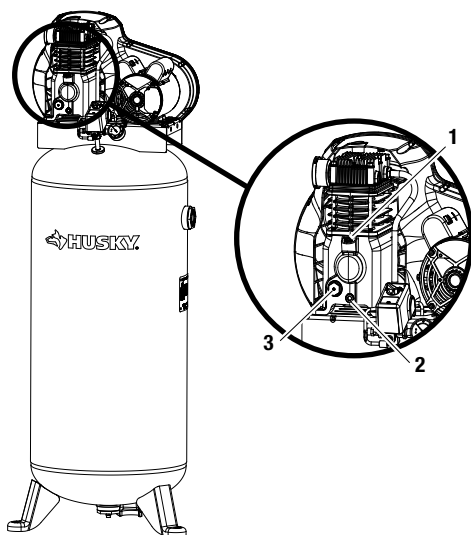
CAUTION: Overfilling with oil will cause premature air compressor failure. Do not overfill.

NOTICE: Risk of property damage. Use air compressor oil only. Multi-weight automotive engine oils like 10W30 should not be used in the air compressors. They leave carbon deposits on critical components, thus reducing performance and compressor life.

- The oil level should be to the middle of the sight glass (3).
- If needed, remove the oil fill plug (1) and slowly add the oil until it reaches the middle of the sight glass.



NOTE: Use 30W compressor oil or a heavy duty SAE 30W, non-detergent, SF grade or better oil. Do not use multi-weight automotive engine oils, as they will reduce compressor life. Under extreme winter condition use SAE-10 weight oil.



CHANGING THE OIL

- Remove the oil fill plug (1).
- Remove the oil drain plug (2) and drain the oil into a suitable container.
- Replace the oil drain plug (2) and tighten securely.
- Slowly add the compressor oil until it reaches the middle of the sight glass (3).



NOTE: Crankcase oil capacity is approximately 16 fluid ounces (473 ml).



NOTE: When filling the crankcase, the oil flows very slowly into the pump. If the oil is added too quickly, it will overflow and appear to be full.

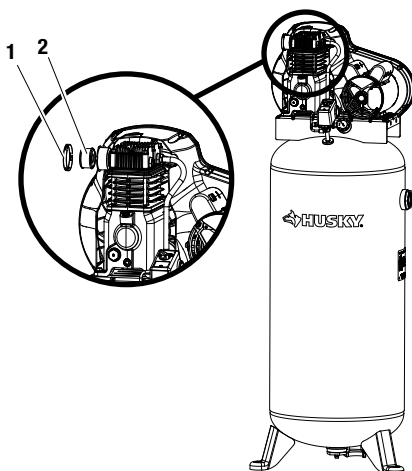
- Replace the oil fill plug (1) and tighten securely.

Maintenance (continued)

CLEANING THE AIR FILTER

From time to time, the air filter needs to be removed and cleaned. Do not operate without air filter installed.

- Turn the air compressor OFF (0).
- Unplug the air compressor.
- Allow unit to cool.
- Unsnap the air filter cover to remove (1).
- Check the filter element (2). If it is dirty, blow compressed air through the filter element for 10-15 seconds or replace if needed. If the filter element is filled with paint, replace it.
- Place cleaned element into housing and reattach the air filter cover (1).

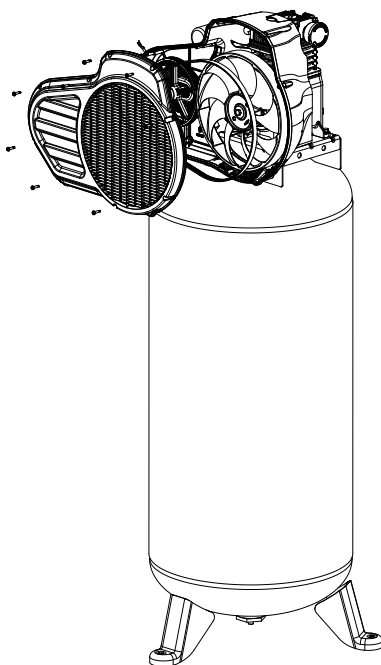


REPLACING THE BELT



WARNING: Serious injury or damage may occur if parts of the body or loose items get caught in moving parts. Never operate the outfit with the belt guard removed. The belt guard should be removed only when the air compressor power is disconnected.

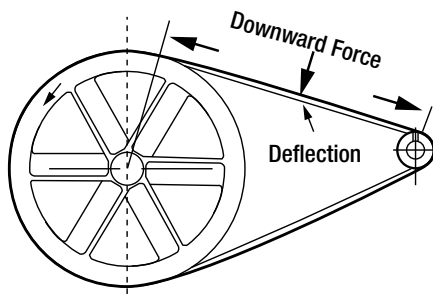
- Turn the air compressor off, lock out the power supply, and relieve all air pressure from the air tank.
- Remove the fasteners from the belt guard. The front belt guard can now be lifted up and away from the unit.
- Mark the motor position on the saddle.
- Loosen the motor mounting screws and slide the motor toward the air compressor pump.
- Remove the belt and replace with a new one.
- See *Adjusting the Belt Tension* before tightening the motor mounting screws.



ADJUSTING THE BELT TENSION

NOTICE: Once the engine pulley has been moved from its factory set location, the grooves of the flywheel and pulley must be aligned to within 1/16 in. (1.6 mm) to prevent excessive belt wear. Verify the alignment by performing the *MOTOR PULLEY/FLYWHEEL ALIGNMENT* on the following page.

- Slide the motor into the original position, and line the motor up with the mark made earlier on the saddle.
- Tighten the two outside motor mounting screws enough to hold the motor in place for checking the pulley and flywheel alignment.
- The belt should deflect 1/4 in. (6.5 mm) at midway between the pulley and the flywheel when a ten-pound (4.5 kg.) weight is applied at the midway point.
- When proper belt tension is achieved, tighten all motor mounting screws. Torque to 20-25 ft-lbs (27.1–33.9 Nm).

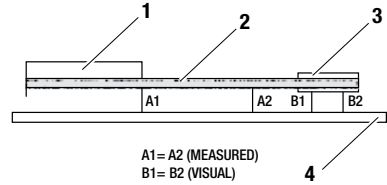


Maintenance (continued)

MOTOR PULLEY/FLYWHEEL ALIGNMENT

The air compressor flywheel and motor pulley must be in-line (in the same plane) within 1/16 in. (1.6 mm) to assure belt retention within the flywheel belt grooves. To check the alignment, perform the following steps:

- Turn the air compressor off, lock out the power supply, and relieve all air pressure from the air tank.
- Remove outer belt guard.
- Place a straightedge (4) against the outside of the flywheel (1) and the motor drive pulley hub (3).
- Measure the distance between the edge of the belt (2) and the straightedge at points A1 and A2. The difference between measurements should be no more than 1/16 in. (1.6 mm).
- If the difference is greater than 1/16 in. (1.6 mm), loosen the set screws holding the motor drive pulley (3) to the shaft and adjust the pulley's position on the shaft until the A1 and A2 measurements are within 1/16 in. (1.6 mm) of each other.
- Tighten the motor drive pulley set screws. Torque to 115-125 in-lbs (13.0-14.1 Nm)
- Visually inspect the motor drive pulley to verify that it is perpendicular to the drive motor shaft. The points (B1 and B2) should appear to be equal. If they are not, loosen the set screws of the motor drive pulley and equalize B1 and B2, using care not to disturb the belt alignment performed previously.
- Retighten the motor drive pulley set screws. Torque to 115-125 in-lbs (13.0-14.1 Nm).
- Reinstall the outer belt guard.



Maintenance (continued)

AIR COMPRESSOR INTAKE AND EXHAUST VALVES

Once a year bring the compressor to a service center and have a trained service technician check the air compressor pump intake and exhaust valves.

INSPECT AIR LINES AND FITTINGS FOR LEAKS

NOTICE: Even minor leaks can cause the air compressor to overwork, resulting in premature breakdown or inadequate performance.

- Turn the air compressor on and allow tank pressure to build. Motor will stop when tank pressure reaches “cut-out” pressure.
- Turn the air compressor Off and unplug unit.
- Apply a soap solution to all air-line fittings and connections/piping to look for any leaks.
- Pull ring on safety valve allowing air to bleed from the tank until tank pressure is approximately 20 PSI. Release safety valve ring.
- Drain water from air tank by opening drain valve on bottom of tank.
- Correct any leaks found.

TORQUING THE AIR COMPRESSOR HEAD BOLTS

The air compressor pump head bolts should be kept properly torqued. Check the torques of the head bolts after the first five hours of operation.

- Torque to 15-20 ft. -lbs (20.3 - 27.1 Nm)

Care and Cleaning

- Drain the air tank of moisture after operation.
- When not in use, store the compressor in a cool, dry place.
- Disconnect the air hose and hang open ends down to allow any moisture to drain.
- Protect the electrical cord and air hose from damage (such as being stepped on or run over).

Troubleshooting

Problem	Possible Cause	Solution
The compressor does not run.	<input type="checkbox"/> The tank has insufficient pressure.	<input type="checkbox"/> When the tank pressure drops, the compressor will turn on to cut-in pressure.
	<input type="checkbox"/> There is no electrical power to the unit.	<input type="checkbox"/> Verify the wiring connection inside the pressure switch and the terminal box area.
	<input type="checkbox"/> The circuit breaker has tripped or a fuse has blown at the main power source.	<input type="checkbox"/> Check the fuse/breaker to determine the underlying cause.
	<input type="checkbox"/> The thermal overload protector is actuated.	<input type="checkbox"/> Turn the air compressor OFF (0).
		<input type="checkbox"/> Wait until the compressor cools down.
		<input type="checkbox"/> Depress the red reset button on the motor.
	<input type="checkbox"/> Turn the air compressor to AUTO (1).	
<input type="checkbox"/> There is loss of power or overheating.	<input type="checkbox"/> Verify the wiring. NOTE: Long lengths of electrical wiring could cause power loss to the motor.	
<input type="checkbox"/> The pressure switch is bad.	<input type="checkbox"/> Replace the pressure switch.	
The motor hums while running slowly, or it does not run at all.	<input type="checkbox"/> There is low voltage from the power source.	<input type="checkbox"/> Check the voltage with a voltmeter.
	<input type="checkbox"/> There are loose electrical connections.	<input type="checkbox"/> Verify the wiring connections inside the pressure switch and the terminal box area is secure.
	<input type="checkbox"/> There is a shorted or open motor wiring.	<input type="checkbox"/> Bring the compressor to a service center.
	<input type="checkbox"/> There is a defective check valve or unloader.	<input type="checkbox"/> Bring the compressor to a service center.
The compressor is making squealing sounds.	<input type="checkbox"/> The compressor pump has no oil.	<input type="checkbox"/> Check the pump oil.
	<input type="checkbox"/> The belt is too loose.	<input type="checkbox"/> Check the belt tension.
The compressor is experiencing restricted air intake.	<input type="checkbox"/> The air filter is dirty.	<input type="checkbox"/> Clean or replace the air filter.
The compressor is making knocking sounds.	<input type="checkbox"/> There is a loose pulley.	<input type="checkbox"/> Tighten the pulley set screws.
	<input type="checkbox"/> There is a loose flywheel.	<input type="checkbox"/> Tighten the flywheel screw.
	<input type="checkbox"/> The compressor mounting screws are loose.	<input type="checkbox"/> Tighten the mounting screws.
	<input type="checkbox"/> The belt is too loose.	<input type="checkbox"/> Check the belt tension.
	<input type="checkbox"/> An excessive amount of carbon has built-up in the pump.	<input type="checkbox"/> Bring the compressor to a service center.
	<input type="checkbox"/> The belt is too tight.	<input type="checkbox"/> Check the belt tension.

Troubleshooting (continued)

Problem	Possible Cause	Solution
There is excessive belt wear.	<input type="checkbox"/> The belt is too loose.	<input type="checkbox"/> Check the belt tension.
	<input type="checkbox"/> The belt is too tight.	<input type="checkbox"/> Check the belt tension.
	<input type="checkbox"/> The pulley is loose.	<input type="checkbox"/> Align the pulley/flywheel. Correct the belt tension. Torque the set screws.
	<input type="checkbox"/> The pulley is misaligned.	<input type="checkbox"/> Align the pulley/flywheel.
There is oil and/or moisture in the tank and/or air lines.	<input type="checkbox"/> The connections (fittings, tubing, etc.) are loose and leaking.	<input type="checkbox"/> Check all the connections with a soap and water solution and tighten.
	<input type="checkbox"/> The drain valve is loose or open.	<input type="checkbox"/> Tighten the drain valve.
	<input type="checkbox"/> The check valve is leaking.	<input type="checkbox"/> Bring the compressor to a service center.
There is excessive moisture in the discharge air.	<input type="checkbox"/> There is excessive water in the air tank.	<input type="checkbox"/> It is normal for oil lube air compressor pumps to release some oil into the tank and air lines. Air compressors will also generate water condensation that will form in the tank and air lines. Install water and oil filter traps when needed. The <i>Typical Compressed Air Distribution System</i> section provides a guideline. Contact or call Husky Customer Service for more information.
	<input type="checkbox"/> The oil blow-by has accumulated in the pump.	
The fuses blow or the circuit breaker trips repeatedly.	<input type="checkbox"/> The incorrect fuse size is being used, or the circuit is overloading.	<input type="checkbox"/> Verify the proper fuse size is being used.
		<input type="checkbox"/> Use time-delay fuses.
		<input type="checkbox"/> Disconnect other electrical appliances from the circuit or operate the compressor on its own branch circuit.
	<input type="checkbox"/> There are loose electrical connections.	<input type="checkbox"/> Verify the wiring connection inside the pressure switch and the terminal box area.
	<input type="checkbox"/> There is a defective check valve or unloader.	<input type="checkbox"/> Bring the compressor to a service center.



Questions, problems, missing parts? Before returning to the store call
Husky Customer Service
8 a.m. - 6 p.m., EST, Monday-Friday

1-888-43-HUSKY

HUSKYTOOLS.COM

Retain this manual for future use.

Document Number: E111362

03/01/2020



Item: #911-625
Artículo: #911-625
Model: #C602H
Modelo: #C602H

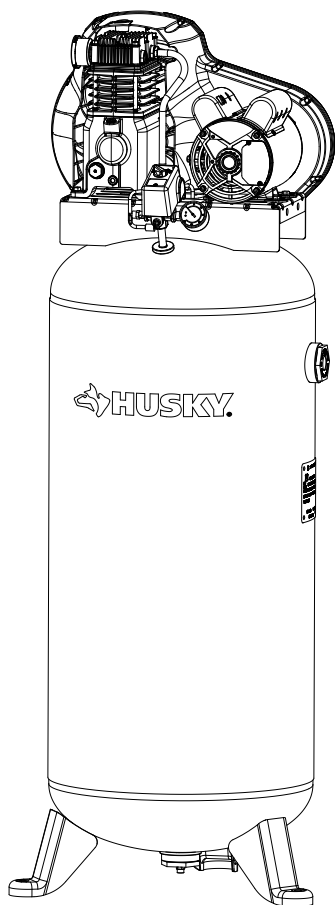
GUÍA DE USO Y CUIDADO

COMPRESOR DE AIRE ESTACIONARIO DE 60 GALONES (227.12 L)

¿Preguntas, problemas, faltan piezas?
Antes de devolver la unidad a la tienda,
llame a Servicio al Cliente de Husky de
8 a.m. a 6 p.m., Hora del Este (EST),
de lunes a viernes.

1-888-43-HUSKY

HUSKYTOOLS.COM



GRACIAS

Le agradecemos la preferencia y confianza que ha depositado en Husky a través de la compra de este compresor de aire. Nos esforzamos por crear continuamente productos de alta calidad diseñados para mejorar su hogar. Visítenos en Internet para ver nuestra línea completa de productos disponibles para las necesidades de mejora de su hogar.

¡Gracias por elegir Husky!

Índice de materias

Información de seguridad	28	Componentes del sistema	34-35
Seguridad del área de trabajo	28	Colocación del compresor de aire	36
Seguridad personal	29	Sistema de distribución de aire	37
Traslado del compresor	29	Sistema típico de distribución de aire	38
Seguridad del compresor de aire y las herramientas neumáticas	30	Uso de herramientas.....	39
Seguridad eléctrica.....	31	Asentamiento de la bomba	40
Garantía.....	32	Instalación	41
Preutilización	33	Utilización	42-46
Especificaciones	33	Mantenimiento.....	47-52
Ciclo de servicio.....	33	Cuidado y limpieza	52
Contenido del paquete	33	Resolución de problemas.....	53-55

Información de seguridad

Este manual contiene información que es importante que usted conozca y entienda. Esta información se relaciona con proteger su seguridad y prevenir los problemas del equipo. Para ayudarle a reconocer esta información, usamos los símbolos que se muestran a continuación. Sírvase leer el manual y prestar atención a estos símbolos.



PELIGRO: Indica una situación peligrosa inminente que, si no se evita, causará la muerte o lesiones graves.



ADVERTENCIA: Indica una situación potencialmente peligrosa que, si no se evita, podría causar la muerte o lesiones graves.



PRECAUCIÓN: Indica una situación potencialmente peligrosa que, si no se evita, puede que cause lesiones leves o moderadas.

AVISO: Indica una práctica no relacionada con lesiones personales que, si no se evita, puede que cause daños materiales.

SEGURIDAD DEL ÁREA DE TRABAJO

- Mantenga el área de trabajo limpia y bien iluminada. Asegúrese de que los pisos no estén resbalosos por causa de cera o polvo.
- Utilice el compresor de aire en un área abierta por lo menos a 18 pulgadas (45.7 cm) de cualquier pared u objeto que podría restringir el flujo de aire fresco a las aberturas de ventilación.



ADVERTENCIA: Este compresor no está equipado para suministrar aire respirable y no se deberá utilizar con ese fin. Se necesitaría equipo adicional para filtrar y purificar apropiadamente el aire con el fin de cumplir con las especificaciones mínimas de respiración de Grado D, tal y como se describen en la Especificación de Productos de la Asociación de Gases Comprimidos G 7.1 - 1966, OSHA 29 CF9 1910.134, Compressed Gas Association, 4221 Walney Road, Fifth Floor, Chantilly, VA 20151-2923, (703) 788-2700, www.cganet.com. No se ha examinado ningún equipo adicional de ese tipo y no se pretende ni insinúa ninguna implicación de uso apropiado para suministrar aire respirable.



PRECAUCIÓN: Desconecte siempre el suministro de aire y el suministro eléctrico antes de hacer ajustes, realizar servicio de mantenimiento de una herramienta o cuando una herramienta no esté en uso.



ADVERTENCIA: No utilice herramientas eléctricas en atmósferas explosivas, tales como las existentes en presencia de líquidos, gases o polvos inflamables. Las herramientas eléctricas generan chispas, las cuales pueden incendiar los polvos o vapores. Mantenga a las personas que estén presentes, los niños y los visitantes alejados mientras utiliza herramientas. Las distracciones pueden hacer que usted pierda el control.

Información de seguridad (continuación)

SEGURIDAD PERSONAL

- Mantenga un apoyo de los pies y un equilibrio apropiados en todo momento. Un apoyo de los pies y un equilibrio apropiados permiten un mejor control de la herramienta en situaciones inesperadas.
- No utilice la unidad en una escalera de mano o un soporte inestable.

TRASLADO DEL COMPRESOR

- Cuando transporte el compresor en un vehículo, remolque, etc., asegúrese de que se haya drenado el tanque y la unidad esté firmemente sujeta con correas para impedir que vuelque. Tenga cuidado cuando conduzca para evitar volcar la unidad en el vehículo. El compresor o los objetos que lo rodean pueden sufrir daños si el compresor vuelca. El compresor es demasiado pesado para ser levantado por un sola persona. Obtenga ayuda de otras personas antes de levantarlo.



ERTENCIA: La utilización de cualquier herramienta eléctrica puede hacer que se arrojen objetos extraños hacia los ojos, lo cual puede causar daños oculares graves. Antes de comenzar a utilizar la herramienta, póngase siempre anteojos de seguridad, gafas de seguridad con protectores laterales o una careta completa cuando sea necesario. Use siempre protección ocular marcada para cumplir con la norma ANSI Z87.1.



ADVERTENCIA: Contiene plomo. Puede ser perjudicial si se come o se mastica. Puede generar polvo que contenga plomo. Lávese las manos después de usarla. Manténgalo fuera del alcance de los niños.



ADVERTENCIA: Este producto puede exponerle a los productos químicos incluyendo el plomo, que se sabe al estado de California para causar el cáncer y defectos de nacimiento u otro daño reproductivo. Para más información, vaya a www.P65Warnings.ca.gov.



ADVERTENCIA: Utilice equipo de seguridad. Use siempre protección ocular con protectores laterales cuando utilice herramientas eléctricas. Se debe usar una máscara antipolvo, zapatos de seguridad antideslizantes, casco o protección de la audición para las condiciones apropiadas.



ADVERTENCIA: Manténgase alerta cuando utilice una herramienta eléctrica. No utilice la herramienta mientras esté cansado o bajo la influencia de drogas, alcohol o medicamentos.



ADVERTENCIA: No use ropa holgada ni joyas. Sujétese el pelo largo. Mantenga el pelo, la ropa y los guantes alejados de las piezas móviles. La ropa holgada, las joyas o el pelo largo pueden ser atrapados en las piezas móviles.



ADVERTENCIA: No toque nunca ninguna pieza metálica del compresor que esté al descubierto durante o inmediatamente después de su utilización. El compresor permanecerá caliente durante varios minutos después de utilizarlo. No ponga las manos alrededor de las cubiertas protectoras ni intente realizar mantenimiento hasta que se haya dejado que la unidad se enfríe.



PRECAUCIÓN: El compresor es demasiado pesado para ser levantado por una sola persona. Obtenga ayuda de otras personas antes de levantarlo.

Información de seguridad (continuación)

SEGURIDAD DEL COMPRESOR DE AIRE Y LAS HERRAMIENTAS NEUMÁTICAS

- Mantenga los compresores lo más alejado posible del área de rociado: por lo menos a 15 pies (4.6 m) del área de rociado y de todos los vapores explosivos.
- Si la unidad se conecta a un circuito protegido por fusibles, utilice fusibles de acción retardada con este producto.
- Asegúrese de que la manguera esté libre de obstrucciones o enredos. Las mangueras enredadas u obstruidas pueden causar pérdida de equilibrio o del apoyo de los pies, y pueden resultar dañadas.
- Utilice el compresor de aire sólo para el uso para el cual está diseñado. No altere ni modifique la unidad respecto al diseño o la función original. No suelde nunca el tanque de aire ni taladre agujeros en él.
- No deje nunca una herramienta desatendida con la manguera de aire instalada.
- No utilice esta herramienta si no contiene una etiqueta de advertencia legible.
- No continúe utilizando una herramienta o manguera que tenga fugas de aire o que no funcione apropiadamente.
- No intente jalar ni transportar el compresor de aire por la manguera.
- Es posible que su herramienta requiera más consumo de aire del que este compresor de aire es capaz de suministrar.
- No dirija nunca un chorro de aire comprimido hacia personas o animales.
- Protéjase los pulmones. Use una careta o una máscara antipolvo si la operación genera polvo.
- No utilice este compresor de aire para rociar productos químicos. Los pulmones podrían sufrir daños al inhalar vapores tóxicos. Es posible que se necesite un respirador en entornos polvorientos o cuando se rocíe pintura.
- Este compresor está equipado con un protector contra sobrecargas térmicas que apagará el motor si éste se sobrecalienta.



ADVERTENCIA: No intente modificar esta herramienta ni crear accesorios no recomendados para el uso con esta herramienta. Cualquier alteración o modificación de este tipo constituye un uso incorrecto y podría dar lugar a una situación peligrosa que cause posibles lesiones corporales graves.



PRECAUCIÓN: No use el compresor en un ambiente que sea polvoriento o que esté contaminado de alguna otra manera. La utilización del compresor de aire en este tipo de ambiente puede causar daños a la unidad.



PRECAUCIÓN: Riesgo de reventón. No ajuste el regulador para producir una presión de salida mayor que la presión máxima marcada para el aditamento. No utilice la unidad a una presión mayor que la presión nominal máxima de este compresor. Si la unidad se conecta a un circuito protegido por fusibles, utilice fusibles de acción retardada con este producto.



PRECAUCIÓN: Para reducir el riesgo de descargas eléctricas, no exponga el compresor a la lluvia. Almacénelo en un lugar interior.

Información de seguridad (continuación)

SEGURIDAD ELÉCTRICA (CONEXIÓN ELÉCTRICA)

- Este compresor de aire está accionado por un motor eléctrico construido con precisión. Se deberá conectar a una fuente de alimentación que sea de 240 Vca 60 Hz solamente.
- No utilice esta herramienta con corriente continua (cc). Una caída sustancial de tensión causará una pérdida de potencia y el motor se sobrecalentará. Si el compresor de aire no funciona cuando esté enchufado en un tomacorriente, compruebe de nuevo la fuente de alimentación.

SEGURIDAD ELÉCTRICA (VELOCIDAD Y CABLEADO)

- La velocidad sin carga de este producto es aproximadamente 2,000 r/min. Esta velocidad no es constante y disminuye bajo carga o con una tensión más baja.
- Para la tensión, el cableado en un taller es tan importante como la capacidad nominal en caballos de fuerza del motor. Una línea diseñada sólo para luces no puede alimentar apropiadamente el motor de una herramienta eléctrica. Un cable que sea lo suficientemente pesado para una distancia corta será demasiado ligero para una distancia mayor. Es posible que una línea que pueda mantener el consumo de una herramienta eléctrica no sea capaz de mantener el consumo de dos o tres productos.

SEGURIDAD ELÉCTRICA (INSTRUCCIONES DE CONEXIÓN A TIERRA)

- Este producto se debe conectar a un sistema de cableado metálico permanente conectado a tierra o a un terminal o hilo de conexión a tierra del equipo ubicado en el producto.



ADVERTENCIA: Si el conductor de conexión a tierra del equipo se conecta incorrectamente, el resultado puede ser un riesgo de descargas eléctricas.



PRECAUCIÓN: Evite el contacto del cuerpo con las superficies conectadas a tierra, tales como tuberías, radiadores, estufas de cocina y refrigeradores. Existe un mayor riesgo de descargas eléctricas si el cuerpo del operador está conectado a tierra.



PRECAUCIÓN: No exponga las herramientas eléctricas a la lluvia o a condiciones húmedas. La entrada de agua en una herramienta eléctrica aumentará el riesgo de descargas eléctricas.



PRECAUCIÓN: Reemplace de inmediato los cables de alimentación y el cableado. Los cables de alimentación y el cableado dañados aumentan el riesgo de descargas eléctricas.

GARANTÍA LIMITADA

QUÉ ESTÁ CUBIERTO

El fabricante garantiza al comprador minorista original que este producto está libre de defectos de material y de fabricación, y acuerda reparar o reemplazar, a discreción del fabricante, cualquier producto defectuoso, sin cargo alguno, dentro de estos períodos de tiempo a partir de la fecha de compra.

Esta garantía es válida durante dos (2) años si el producto se utiliza para uso personal, familiar o doméstico, y durante noventa (90) días se utiliza para cualquier otro propósito, tal como uso comercial o de alquiler.

Esta garantía se extiende solamente al comprador minorista original y comienza en la fecha de la compra minorista original.

Cualquier pieza del producto fabricada o suministrada por el fabricante y que se compruebe, a juicio razonable del fabricante, que presenta defectos de material o de fabricación, será reparada o reemplazada por un distribuidor de servicio autorizado sin cargo alguno por piezas ni mano de obra.

El producto, incluyendo cualquier pieza defectuosa, debe ser devuelto a un distribuidor de servicio autorizado dentro del período de garantía. El gasto de enviar el producto del fabricante al distribuidor para realizar trabajo bajo garantía y el gasto de devolverlo al propietario después de su reparación o reemplazo serán pagados por el propietario. La responsabilidad del fabricante en relación con los reclamos está limitada a hacer las reparaciones o reemplazos requeridos y ningún reclamo de incumplimiento de la garantía será causa de cancelación o rescisión del contrato de venta de cualquiera de los productos del fabricante. El distribuidor requerirá un comprobante de compra para sustanciar cualquier reclamo bajo garantía. Todo el trabajo bajo garantía debe ser realizado por un distribuidor de servicio autorizado.

QUÉ NO ESTÁ CUBIERTO

Esta garantía no cubre ninguno de los productos del fabricante que haya sido sometido a uso incorrecto, descuido, negligencia o accidente, o que haya sido utilizado de cualquier manera contraria a las instrucciones de utilización, tal y como se especifica en este manual. Esta garantía no se aplica a ningún daño al producto del fabricante que sea el resultado de un mantenimiento inapropiado o a cualquier producto del fabricante que haya sido alterado o modificado. La garantía no se extiende a las reparaciones hechas necesarias por el desgaste normal o por el uso de piezas o accesorios que sean incompatibles con el producto del fabricante o que afecten adversamente su funcionamiento, rendimiento o durabilidad.

El fabricante se reserva el derecho a cambiar o mejorar el diseño de cualquier producto sin asumir ninguna obligación de modificar cualquier producto fabricado previamente. Todas las garantías implícitas están limitadas en duración al período de garantía indicado. Por consiguiente, cualquiera de dichas garantías implícitas, incluyendo las de comerciabilidad, idoneidad para un propósito específico o de otro tipo, queda denegada en su totalidad después del vencimiento del período de garantía apropiado de dos años o noventa días. La obligación del fabricante bajo esta garantía está limitada estricta y exclusivamente a la reparación o el reemplazo de las piezas defectuosas, y el fabricante no asume ni autoriza a nadie a asumir por ello ninguna otra obligación. Algunos estados no permiten limitaciones en relación a cuánto tiempo dura una garantía implícita, por lo cual es posible que la limitación que antecede no tenga aplicación en el caso de usted. El fabricante no asume ninguna responsabilidad por daños incidentales u emergentes ni por otros daños, incluyendo pero sin limitarse al gasto de devolver el producto del fabricante a un distribuidor de servicio autorizado y el gasto de enviarlo de vuelta al propietario, el tiempo de viaje del mecánico, los cargos telefónicos o de telegramas o el alquiler de un producto similar durante el tiempo en que se realice servicio de ajustes y reparaciones bajo garantía, viaje, pérdida o daños a bienes materiales, pérdida de ingresos, pérdida de uso del producto, pérdida de tiempo o inconveniencia. Algunos estados no permiten la exclusión ni la limitación de los daños incidentales o emergentes, por lo que es posible que la limitación o exclusión que antecede no tenga aplicación en el caso de usted.

Esta garantía le confiere a usted derechos legales específicos y es posible que usted tenga también otros derechos, los cuales varían de un estado a otro.

Contacte al Equipo de Servicio al Cliente llamando al 1-888-43-HUSKY o visite www.huskytools.com.

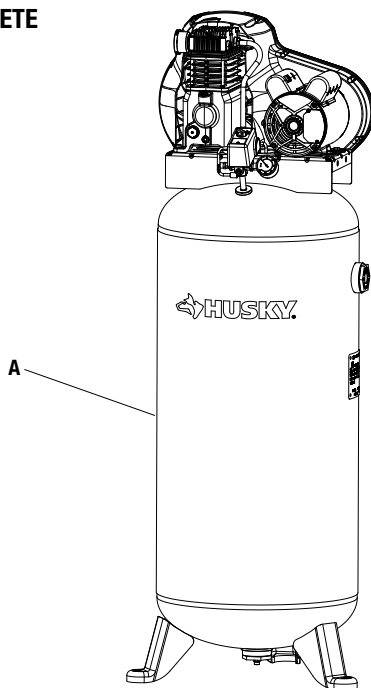
ESPECIFICACIONES

Potencia de funcionamiento	3.7 HP (745.7 W)
Capacidad del tanque de aire	60 galones (227.12 L)
Presión de aire	155 psi máximo (10.69 bar máximo)
Suministro de aire	13.4 PCEM a 40 psi (2.76 bar)
	11.5 PCEM a 90 psi (6.21 bar)
Tiempo de llenado del tanque	7 minutos
Lubricación	Aceite Lubricante
Entrada	240 Vca 60 Hz 15 A fase única
Requisito mínimo del circuito derivado	20 A
Tipo de fusible	De acción retardada
Peso neto	Aproximado 91 kg (200 lb)

CICLO DE SERVICIO

Esta bomba de compresor de aire es capaz de funcionar continuamente. Sin embargo, para prolongar la vida útil del su compresor de aire, se recomienda mantener un ciclo de servicio promedio del 50%; es decir, la bomba del compresor de aire no debería funcionar más de 30 minutos en cualquier hora dada.

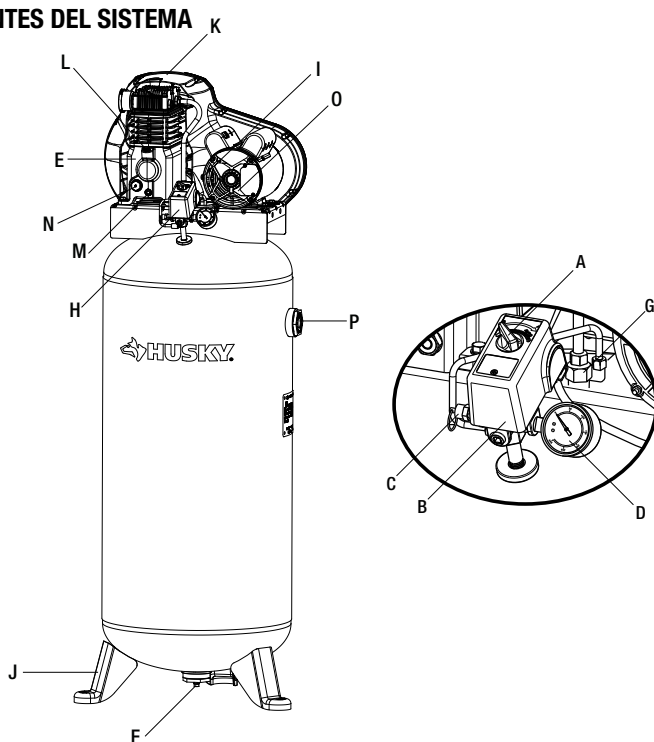
CONTENIDO DEL PAQUETE



Pieza	Descripción	Cantidad
A	Unidad de compresor de aire (completamente ensamblada)	1

Preutilización (continuación)

COMPONENTES DEL SISTEMA



Pieza	Descripción
A	Interruptor Auto(I)/Off(apagado)(O): Coloca el interruptor en la posición “Auto (I)” para suministrar energía automática al interruptor de presión y “Off (apagado) (O)” para quitar energía después de cada uso.
B	Interruptor de presión: El interruptor de presión arranca automáticamente el motor cuando la presión del tanque de aire desciende por debajo de la presión de “conexión” ajustada en la fábrica. Dicho interruptor detiene el motor cuando la presión del tanque de aire alcanza la presión de “desconexión” ajustada en la fábrica.
C	Válvula de seguridad: Si el interruptor de presión no apaga el compresor de aire en su ajuste de presión de “desconexión”, la válvula de seguridad protegerá contra la alta presión al “desplegarse” a su presión ajustada en la fábrica (ligeramente más alta que el ajuste de “desconexión” del interruptor de presión).
D	Manómetro del tanque: El manómetro del tanque indica la presión del aire de reserva en el tanque.
E	Bomba del compresor de aire: Comprime el aire en el interior del tanque. El aire de trabajo no está disponible hasta que el compresor haya subido la presión del tanque de aire por encima de la presión requerida en la salida de aire.
F	Válvula de drenaje: La válvula de drenaje está ubicada en la base del tanque de aire y se utiliza para drenar la condensación al final de cada uso.
G	Válvula de retención: Cuando el compresor de aire está funcionando, la válvula de retención está “abierta”, con lo cual se permite que el aire comprimido entre al tanque de aire. Cuando el compresor de aire alcanza la presión de “desconexión”, la válvula de retención “se cierra”, con lo cual se permite que permanezca presión de aire dentro del tanque de aire.

Preutilización (continuación)

Pieza	Descripción
H	Válvula de reducción de presión: La válvula de reducción de presión, ubicada en un lado del interruptor de presión, está diseñada para dejar escapar automáticamente el aire comprimido de la cabeza del compresor y del tubo de salida cuando el compresor de aire alcanza la presión de “desconexión” o se apaga. La válvula de reducción de presión permite que el motor rearranque libremente. Cuando el motor deje de funcionar, se oirá el aire que escapa de esta válvula durante unos segundos. No se debería oír aire que escapa cuando el motor esté funcionando o después de que la unidad alcance la presión de “desconexión”.
K	Restablecimiento después de una sobrecarga térmica: (no mostrado) Este motor tiene un protector manual contra sobrecargas térmicas. Si el motor se sobrecalienta por cualquier motivo, el protector contra sobrecargas lo apagará. Se debe dejar que el motor se enfríe antes de rearrancarlo. Para rearrancarlo: <ol style="list-style-type: none">1. Mueve el interruptor Auto/Off (apagado) a la posición “Off (apagado)”.2. Deja que el motor se enfríe.3. Oprime el botón rojo de reiniciar del motor.4. Mueve el interruptor Auto/Off (apagado) a la posición “Auto” para volver a arrancar el motor.
J	Pies del compresor: Los pies del compresor se utilizan para estabilizar el compresor y se emplean como soportes cuando el compresor se monta en el piso.
K	Protector de la correa: El protector de la correa es un cerramiento protector para las piezas móviles.
L	Rellenador de aceite de la bomba: El rellenador de aceite de la bomba se utiliza para añadir aceite al cárter.
M	Drenaje del aceite de la bomba: El drenaje del aceite de la bomba se utiliza para sacar el aceite viejo de la bomba. Al aflojar el tapón del drenaje se permitirá que el aceite salga del cárter de la bomba.
N	Mirilla del nivel de aceite de la bomba: La pantalla de vidrio de la bomba de aceite permite identificar visualmente el nivel de aceite en el cárter.
O	Motor: El motor es el componente de accionamiento impulsado por electricidad para hacer rotar la bomba por medio de un sistema de poleas y correa.
P	Salida de aire: La salida de aire es un punto de conexión para suministrar aire utilizable para las herramientas.

Preutilización (continuación)

COLOCACIÓN DEL COMPRESOR DE AIRE



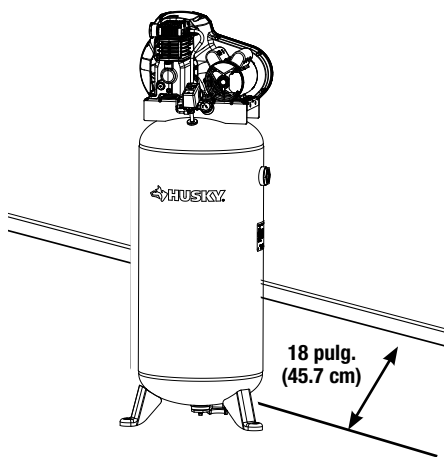
ADVERTENCIA: Si alguna pieza está dañada o falta, no utilice este producto hasta que se hayan reemplazado las piezas necesarias. Si no se hace caso de esta advertencia, el resultado podría ser lesiones corporales graves.



PRECAUCIÓN: No utilice el compresor en un ambiente que sea polvoriento o que esté contaminado de alguna otra manera. El uso del compresor de aire en este tipo de entorno puede causar daños a la unidad.

AVISO: Los tramos largos de cable eléctrico podrían causar pérdida de la potencia suministrada al motor.

- Coloque el compresor en un área limpia, seca y bien ventilada.
- El compresor de aire se debe posicionar por lo menos a 18 pulgadas (45.7 cm) de la pared u otras obstrucciones que interferirán con el flujo de aire.
- Ubique el compresor de aire lo más cerca que sea posible de la fuente de alimentación principal, para evitar usar tramos largos de cableado eléctrico.
- El filtro de aire se debe mantener despejado de obstrucciones que podrían reducir el flujo de aire al compresor de aire.



Preutilización (continuación)

SISTEMA DE DISTRIBUCIÓN DE AIRE

El diagrama de la página siguiente representa un sistema de distribución de aire típico. A continuación se dan consejos que hay que recordar cuando se instale el sistema de distribución de aire del compresor de aire.

- Utilice una tubería un tubo que tenga el mismo tamaño que la salida del tanque de aire. Las tuberías demasiado pequeñas restringirán el flujo de aire.
- Si la tubería mide más de 100 pies (30.5 m) de longitud, utilice el siguiente tamaño más grande.
- Entierre las líneas subterráneas por debajo de la línea de congelamiento y evite los bolsillos en los que la condensación se pueda acumular y congelar. Aplique presión antes de cubrir las líneas subterráneas, para asegurarse de que todas las juntas de tubería estén libres de fugas.
- Se recomienda instalar un acoplamiento flexible entre la válvula de globo / salida de descarga de aire y la línea de distribución de aire principal, para tener en cuenta la vibración.
- Se recomienda un regulador independiente para controlar la presión de aire. Generalmente, la presión de aire procedente del tanque es demasiado alta para las herramientas individuales accionadas por aire.
- No instale los lubricadores entre el tanque y cualquier equipo rociador, herramienta de aire o accesorio que requiera aire filtrado libre de aceite.
- Drene diariamente todos los colectores, filtros y colectores de sedimentos.



ADVERTENCIA: Riesgo de reventón. La tubería de plástico o PVC no está diseñada para utilizarse con aire comprimido. Independientemente de su capacidad nominal de presión indicada, la tubería de aire de plástico puede reventar por causa de la presión de aire. Utilice únicamente tubería metálica para las líneas de distribución de aire.

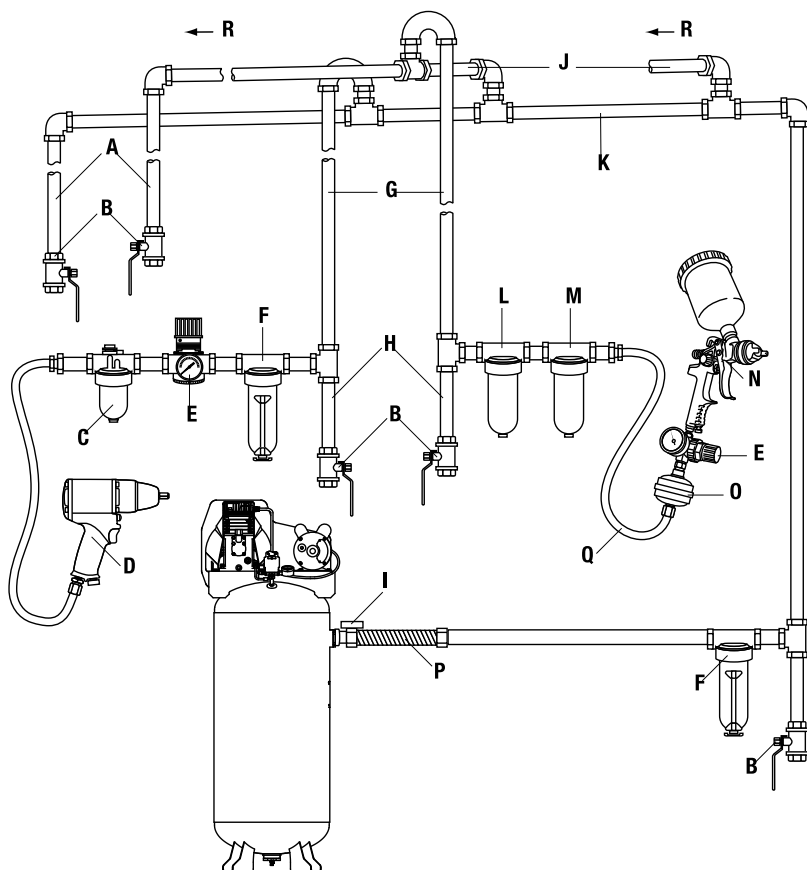


ADVERTENCIA: Riesgo de reventón. Utilice siempre tuberías y acoplamientos metálicos.

AVISO: El aire comprimido procedente de los compresores de aire lubricados con aceite contendrá condensación de agua y niebla de aceite. Se necesitarán varios drenajes, colectores y filtros para suministrar aire sin agua (incluyendo aerosoles) o aceite a los equipos rociadores, las herramientas de aire y los accesorios que requieran aire filtrado. Lea siempre las instrucciones de las herramientas de aire y los accesorios de aire que se estén utilizando.

Preutilización (continuación)

SISTEMA TÍPICO DE DISTRIBUCIÓN DE AIRE



Pieza	Descripción
A	Patas de drenaje
B	Válvulas de drenaje
C	Lubricador
D	Herramienta de aire
E	Regulador
F	Filtro / Colector de humedad
G	Líneas de uso de aire
H	Colectores de sedimentos
I	Válvula de descarga de aire
J	Las líneas alimentadoras se inclinan con el flujo de aire

Pieza	Descripción
K	Líneas de distribución de aire principales - Incline la tubería en el sentido del flujo de aire. El condensado de agua fluye a lo largo de la parte inferior de la tubería hasta las patas de drenaje, con lo cual se impide que entre a las líneas alimentadoras
L	Filtro de 5 micrones
M	Pistola rociadora
N	Ajustador de bola
O	Acoplamiento flexible
P	Raccord flexible
Q	Para lograr el mejor rendimiento - La distancia entre el compresor y el colector de humedad debería ser lo más grande posible
R	Flujo de aire




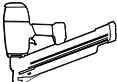

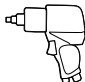

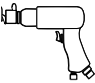

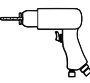





Preutilización (continuación)

USO DE HERRAMIENTAS

○ = Continuo

○ = Intermitente

○ = No recomendado

Herramienta	Inflado	Clavado de clavos de acabado		Armazonado/techado	Empernado			
								
	Inflador	Clavadora de puntillas	Grapadora	Clavadora de clavos de acabado/techado	Llave de impacto	Llave de impacto de servicio pesado de 1/2 pulgada (1.27 cm) y 3/4 pulgada (1.9 cm)	Carraca neumática	
Uso de herramientas recomendado	○	○	○	○	○	○	○	
Herramienta	Corte/taladrado			Preparación de superficies		Pintura	Pintura HVLP	Pistola engrasadora
								
	Martillo neumático	Herramienta de corte	Taladro/atornillador de impacto	Lijadora	Amoladora	Pistola rociadora de pintura	Pistola rociadora de pintura	Pistola engrasadora
Uso de herramientas recomendado	○	○	○	○	○	○	○	○

Preutilización (continuación)

ASENTAMIENTO DE LA BOMBA



NOTA: Riesgo de daño a la propiedad. No seguir estas instrucciones de purgado podría provocar daños graves.

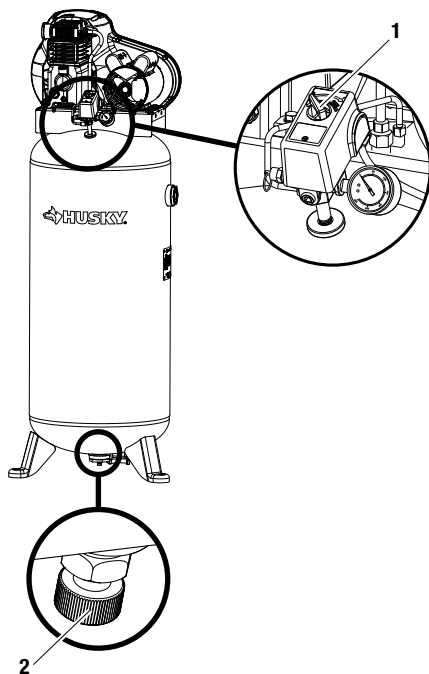


NOTA: Las mínimas pérdidas pueden provocar que el compresor de aire trabaje demasiado, pudiendo resultar en una avería prematura o rendimiento inadecuado.

Este procedimiento se requiere antes de poner en servicio el compresor de aire y cuando la válvula de retención o una bomba de compresor completa haya sido reemplazada.

- Asegúrese de que el interruptor de Auto/Apagado (1) esté en la posición de "Apagado".
- Compruebe el nivel de aceite de la bomba. Consulte la sección Mantenimiento para obtener instrucciones.
- Revise todo el cableado. Asegúrese de que los cables estén firmemente sujetos en todos los terminales y conexiones. Asegúrese de que todos los contactos se muevan libremente y no estén obstruidos.
- Abra completamente la válvula de drenaje (2) para permitir que el aire escape e impedir la acumulación de presión de aire en el tanque de aire durante el período de asentamiento.
- Mueva el interruptor de Auto/Apagado (1) hasta la posición de "Auto". El compresor arrancará.
- Haga funcionar el compresor de aire durante 20 minutos. Asegúrese de que la válvula de drenaje (2) y todas las líneas de aire estén abiertas, para que sólo haya una acumulación mínima de presión de aire en el tanque.
- Compruebe todos los acoplamientos de las líneas de aire y todas las conexiones/tuberías para determinar si tienen fugas de aire, aplicando una solución de jabón. Si es necesario, haga correcciones.
- Compruebe si hay vibración excesiva. Si es necesario, reajuste los pies del compresor de aire o póngales laminillas.
- Después de 20 minutos, cierre la válvula de drenaje (2). El receptor de aire se llenará hasta la presión de "desconexión" y el motor se parará.

Una vez hecho esto, el compresor de aire estará listo para utilizarse.



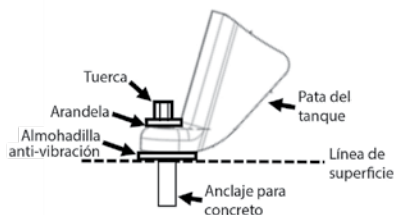
1 Anclaje del compresor de aire



ADVERTENCIA: Riesgo de reventón. La vibración excesiva puede debilitar el tanque de aire y causar una explosión. El compresor debe estar montado apropiadamente.

Debe atornillar el compresor de aire a una superficie plana y sólida de concreto. Use anclajes de concreto, tuercas (para apretar los anclajes), arandelas y almohadillas de anti-vibración (vea las partes de servicio) debajo de cada pata del tanque. Es posible que se necesiten calzos para nivelar el compresor (no se muestra).

- Coloque el compresor de aire sobre una superficie nivelada y sólida. Asegúrese de que el concreto esté en buenas condiciones, sin grietas ni daños.
- Marque la superficie del concreto, utilizando los orificios de las patas del compresor como plantilla.
- Taladre orificios en el concreto para los anclajes. Instale los anclajes en el concreto.
- Coloque cada almohadilla anti- vibración sobre los anclajes. La parte de goma de la almohadilla debe estar en contacto con el suelo.
- Instale el compresor con cada anclaje introducido en el orificio de cada pata del compresor. Para hacerlo, este procedimiento puede requerir ayuda para prevenir lesiones.
- Asegúrese de que las almohadillas anti-vibración estén colocadas correctamente debajo de cada pata.
- Coloque una arandela en la parte superior de cada pata e instale la tuerca para cada anclaje.
- Apriete cada tuerca a 9.5-13.5 Nm (7-10 pies/libra)



1 Preparación para el arranque



ADVERTENCIA: Riesgo de funcionamiento inseguro. Agarre firmemente la manguera de aire con la mano cuando instale o desconecte la unidad para evitar que la manguera dé latigazos.



ADVERTENCIA: Riesgo de funcionamiento inseguro. No utilice accesorios dañados o desgastados.



ADVERTENCIA: Riesgo de reventón. Una presión de aire excesiva causa un riesgo peligroso de reventón. Compruebe la capacidad de presión nominal máxima del fabricante para herramientas de aire y accesorios de aire. La presión de la salida del regulador no debe exceder nunca la capacidad de presión nominal máxima.

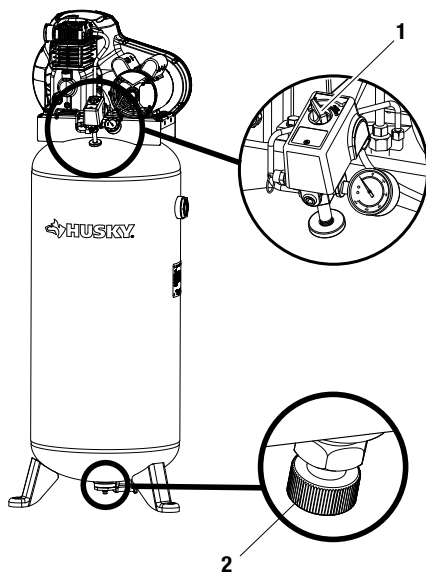


PRECAUCIÓN: Riesgo de funcionamiento inseguro. El aire comprimido procedente de la unidad puede contener condensación de agua y niebla de aceite. No rocíe aire sin filtrar a un objeto que podría ser dañado por la humedad. Puede que algunas herramientas de aire y algunos accesorios de aire requieran aire filtrado. Lea las instrucciones para las herramientas de aire y los accesorios de aire.



NOTA: Se DEBE instalar un regulador cuando se utilicen accesorios con una capacidad nominal de menos de 150 psi (10.34 bar). La manguera o el accesorio requerirá un conector rápido si la salida de aire está equipada con un receptáculo de conexión rápida.

- Ajusta el interruptor Auto/Off (apagado) (1) en "Off (apagado)" posición.
- Cierre la válvula de drenaje (2).
- Cierre la salida de descarga de aire.



2 Arranque del compresor

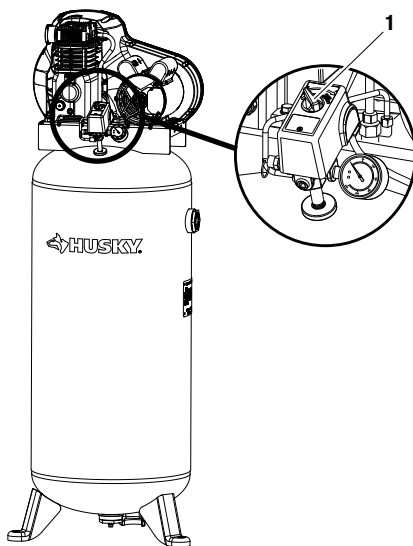


ADVERTENCIA: Riesgo de reventón. Si se nota cualquier ruido o vibración inusual, pare de inmediato el compresor de aire y haga que sea revisado por un técnico de servicio capacitado.



NOTA: Cuando utilice el regulador y otros accesorios, consulte las instrucciones del fabricante.

- Enchufe el cable de alimentación en un tomacorriente apropiado.
- Coloca el interruptor Auto/Off (apagado) (1) en "Auto" y deja que la presión del tanque se acumule. El motor se detendrá cuando la presión del tanque alcance la presión de "parada".



3 Inspección de la soupape de sûreté

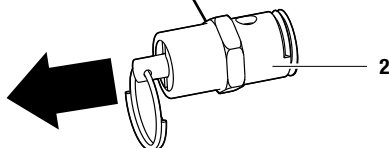
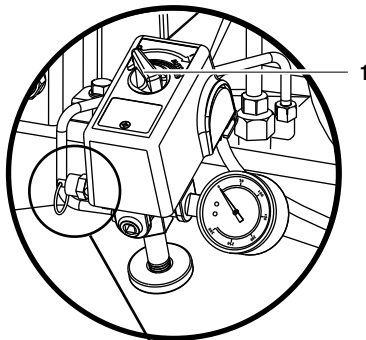


PELIGRO: No manipule indebidamente la válvula de seguridad. Los elementos que se aflojen de este dispositivo podrían salir volando y golpearle a usted. Si no se hace caso de esta advertencia, el resultado podría ser la muerte o lesiones corporales graves. La válvula de seguridad deja escapar aire automáticamente cuando la presión del receptor excede el máximo preajustado. Compruebe la válvula antes de cada día de uso, jalando el anillo con la mano.



ADVERTENCIA: Si hay alguna fuga de aire después de liberar el anillo de la válvula de seguridad o si la válvula se atora, no utilice el compresor de aire hasta que la válvula de seguridad haya sido reemplazada. La utilización del compresor de aire en esta situación podría causar lesiones corporales graves.

- Ajusta el interruptor Auto/Off (apagado) (1) en "On" y espera a que el tanque se llene. El compresor se apaga automáticamente cuando la presión alcanza el máximo preestablecido.
- Ajusta el interruptor Auto/Off (apagado) (1) en "Off (apagado)" posición.
- Jale el anillo ubicado en la válvula de seguridad (2) durante 20 segundos para dejar que el aire escape.
- Suelte el anillo. El aire deja de escapar aproximadamente a 20 psi (1.38 bar). Si continúa escapando aire después de soltar el anillo de la válvula de seguridad, suspenda el uso y obtenga servicio de ajustes y reparaciones antes de usar de nuevo el compresor de aire.



ADVERTENCIA: Riesgo de ruido. Utilice una protección auditiva (ANSI S12.6 (S3.19), ya que el ruido del flujo de aire es fuerte durante el vaciado.

4 Utilización del compresor de aire



ADVERTENCIA: Asegúrese siempre de que el interruptor esté en la posición de APAGADO y que el manómetro del regulador dé una lectura de cero antes de cambiar las herramientas de aire o desconectar la manguera de la salida de aire. Si no se hace así, el resultado podría ser posibles lesiones corporales graves.

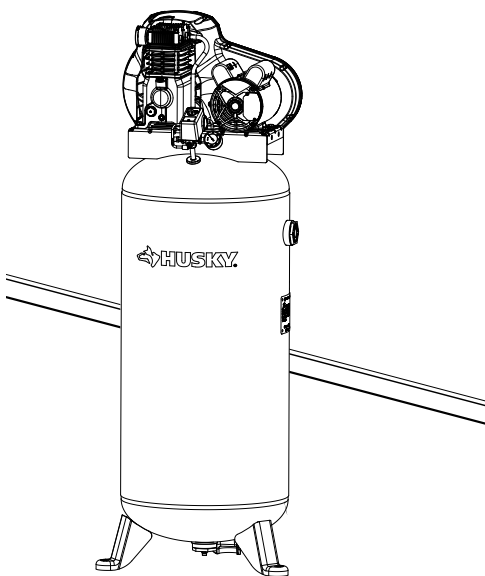


ADVERTENCIA: Es posible que su herramienta requiera más consumo de aire del que este compresor es capaz de suministrar. Consulte el manual de la herramienta para evitar daños a la misma o correr el riesgo de sufrir lesiones corporales.



NOTA: Use siempre la cantidad mínima de flujo de aire con el pomo del regulador de presión. El uso de una presión más alta de lo necesario drenará aire del tanque más rápidamente y hará que la unidad cycle más frecuentemente.

- No deje nunca la unidad enchufada y/o funcionando desatendida.
- Cuando haya acabado, drene siempre el tanque y desenchufe la unidad si corresponde.



5 Drenaje del tanque



ADVERTENCIA: Riesgo de funcionamiento inseguro. Los tanques de aire contienen aire a alta presión. Mantenga la cara y otras partes del cuerpo alejadas de la salida del drenaje. Use protección ocular [ANSI Z87.1 (CAN/CSA Z94.3)] cuando realice el drenaje, ya que los residuos pueden ser arrojados hacia arriba hasta la cara.



ADVERTENCIA: Riesgo por causa del ruido. Use protección de oídos (ANSI S12.6 (S3.19), ya que el ruido del flujo de aire es elevado cuando se realiza el drenaje.



ADVERTENCIA: Riesgo de reventón. Se condensará agua en el tanque de aire. Si no se drena, el agua corroerá y debilitará el tanque de aire, lo cual causará un riesgo de rotura de dicho tanque.



NOTA: Todos los sistemas de aire comprimido generan condensación que se acumula en cualquier punto de drenaje (por ej., tanques, filtro, posenfriadores y secadores). Esta condensación contiene aceite y/o sustancias lubricantes que pueden estar regulados y se deben eliminar de acuerdo con las leyes y los reglamentos locales, estatales y federales.

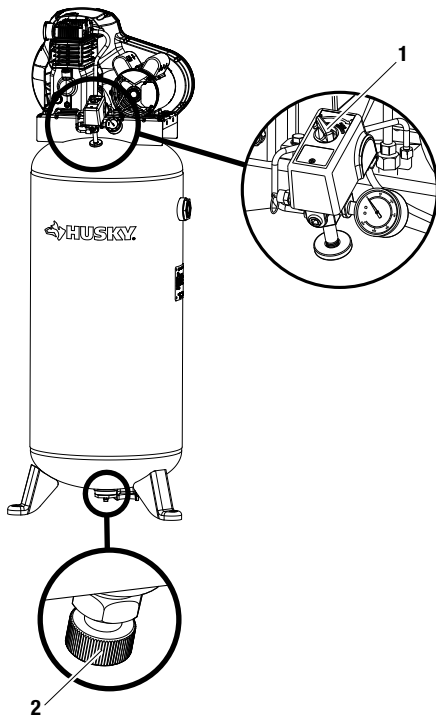


NOTA: Si la válvula de drenaje está obstruida, deje escapar toda la presión de aire. Una vez hecho esto, la válvula se puede retirar, limpiar y reinstalar.



NOTA: Riesgo de daños materiales. El agua de drenaje del tanque puede contener aceite y herrumbre que pueden causar manchas.

- Ajusta el interruptor Auto/Off (apagado) (1) en "Off (apagado)" posición.
- Purgue lentamente el aire del tanque del compresor jalando la válvula de seguridad para dejar que la presión escape del tanque hasta que sea aproximadamente 20 psi (1.38 bar).
- Drene el agua del tanque abriendo la válvula de drenaje (2) ubicada en la parte inferior del tanque.
- Después de haber drenado el tanque de agua, cierre la válvula de drenaje (2). Una vez hecho esto, se puede almacenar el compresor.



MANTENIMIENTO GENERAL

- Cuando hay humedad en el aire, se forma condensación en el tanque. Dependiendo de las condiciones ambientales, drene la condensación diariamente y/o cada hora. Para obtener instrucciones, vea “Drenaje del tanque” en la sección del manual.
- La válvula de seguridad deja escapar automáticamente aire cuando la presión del receptor excede el máximo prefijado.
- Inspeccione anualmente el tanque para determinar si tiene corrosión, agujeros pequeños u otras imperfecciones que podrían hacer que se vuelva inseguro.
- Evite usar solventes cuando limpie piezas de plástico. La mayoría de los plásticos son susceptibles a sufrir daños por causa de diversos tipos de solventes comerciales y pueden resultar dañados por el uso de éstos.
- Use paños limpios para quitar la suciedad, el polvo, el aceite, la grasa, etc.



ADVERTENCIA: Cuando haga servicio de ajustes y reparaciones, utilice únicamente piezas de repuesto Husky idénticas. El uso de cualquier otra pieza puede crear un peligro o causar daños al producto.



ADVERTENCIA: Deje escapar siempre toda la presión, desconecte el compresor de aire de la fuente de alimentación y deje que se enfríe al tacto antes de limpiarlo o repararlo.



ADVERTENCIA: No deje en ningún momento que los líquidos de freno, la gasolina, los productos a base de petróleo, etc., entren en contacto con las piezas de plástico. Los productos químicos pueden dañar, debilitar o destruir el plástico, lo cual puede causar lesiones corporales graves. Las herramientas eléctricas utilizadas en material de fibra de vidrio, tablas de fibra prensada, compuestos para resanar o yeso están sujetos a desgaste acelerado y posible falla prematura debido a que los fragmentos y las amoladuras de fibra de vidrio son sumamente abrasivos para los cojinetes, las escobillas, los conmutadores, etc. Por consiguiente, no recomendamos usar esta herramienta para realizar trabajo prolongado en estos tipos de materiales. Sin embargo, si usted trabaja con cualquiera de estos materiales, es sumamente importante que limpie la herramienta utilizando aire comprimido.

Mantenimiento (continuación)

COMPROBACIÓN DEL ACEITE



ADVERTENCIA: VDrene el tanque para dejar escapar la presión de aire antes de retirar la tapa de llenado de aceite o el tapón de drenaje del aceite.



PRECAUCIÓN: Un llenado excesivo con aceite causará una falla prematura del compresor de aire. No llene excesivamente el compresor.

AVISO: Riesgo de daños a la propiedad. Utilice únicamente aceite para compresores de aire. No utilice aceites de motor multigrado, como 10W30, en compresores de aire. Dejan depósitos de carbono en los componentes críticos, reduciendo el rendimiento y la vida del compresor.

- El nivel de aceite debería estar en el medio de la mirilla para revisar el aceite (3).
- Si es necesario, quita el tapón de llenado de aceite (1) y agrega aceite lentamente hasta que alcance el medio de la mirilla.



NOTA: Utilice aceite para compresores 30W o un aceite no detergente SAE 30W de servicio pesado de grado SF o mejor. No utilice aceites automotrices multipeso, ya que reducirán la vida útil del compresor. En condiciones invernales extremas, utilice un aceite de peso SAE-10.

CAMBIO DE ACEITE

- Retire el tapón de llenado de aceite (1).
- Retire el tapón de drenaje del aceite (2) y drene el aceite en un recipiente adecuado.
- Reinstale el tapón de drenaje del aceite (2) y apriételo firmemente.
- Añada lentamente aceite para compresores hasta que alcance el centro de la mirilla de nivel (3).

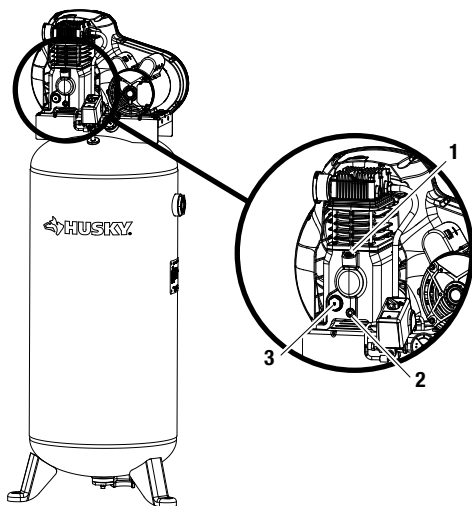


NOTA: La capacidad de aceite del cárter es de aproximadamente 16 onzas líquidas (473 ml).



NOTA: Cuando llene el cárter, el aceite fluirá lentamente al interior de la bomba. Si el aceite se añade de manera demasiado rápida, fluirá excesivamente y parecerá que el cárter está lleno.

- Reinstale el tapón de llenado de aceite (1) y apriételo firmemente.

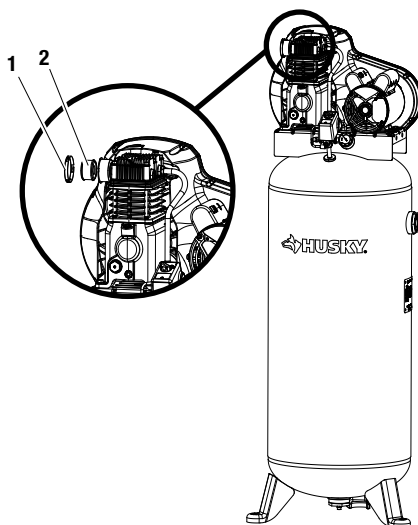


Mantenimiento (continuación)

LIMPIEZA DEL FILTRO DE AIRE

De vez en cuando es necesario retirar y limpiar el filtro de aire. No opere el compresor sin su filtro de aire.

- ❑ Mueva el interruptor Encendido/Apagado (Auto/Off) hacia la posición Apagado (OFF).
- ❑ Deje que se enfríe la unidad.
- ❑ Desenganche la tapa del filtro de aire para quitarla. (1)
- ❑ Compruebe el elemento filtrante (2). Si está sucio, sople aire comprimido a través del elemento filtrante durante 10-15 segundos o reemplácelo si es necesario.
- ❑ Coloque el elemento en la caja y vuelva a colocar la tapa del filtro de aire.

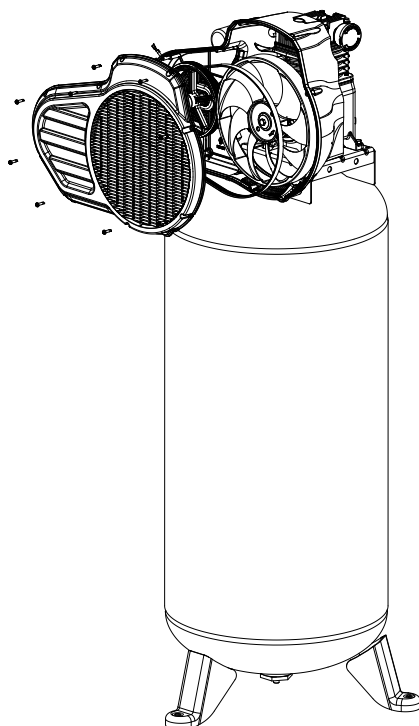


REEMPLAZO DE LA CORREA



ADVERTENCIA: Pueden ocurrir lesiones graves o daños si partes del cuerpo o articulaciones sueltas quedan atrapadas en las piezas móviles. No utilice nunca la unidad si se ha retirado el protector de la correa. El protector de la correa sólo se debe retirar cuando la alimentación eléctrica del compresor de aire esté desconectada.

- ❑ Apague el compresor de aire, bloquee la fuente de alimentación y deje escapar toda la presión de aire del tanque de aire.
- ❑ Retire los cuatro tornillos del protector de la correa (1). Una vez hecho esto, se podrá levantar el protector delantero de la correa alejándolo de la unidad.
- ❑ Marque la posición del motor en el asiento.
- ❑ Afloje los tornillos de montaje del motor y deslice el motor hacia la bomba del compresor de aire.
- ❑ Retire la correa y reemplácela con una correa nueva.
- ❑ Consulte *Ajuste de la tensión de la correa* antes de apretar los tornillos de montaje del motor.



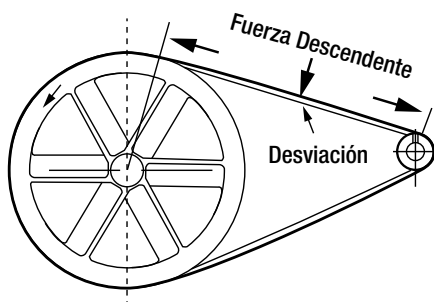
Mantenimiento (continuación)

AJUSTE DE LA TENSIÓN DE LA CORREA



NOTA: Una vez que la polea del motor haya sido movida de su ubicación ajustada en la fábrica, las ranuras del volante y la polea se deben alinear con una tolerancia máxima de 1/16 de pulgada (1.6 mm) para impedir el desgaste excesivo de la correa. Verifique la alineación realizando la siguiente alineación de la polea y el volante.

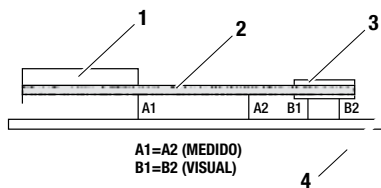
- Deslice el motor hasta la posición original y alinee el motor con la marca que hizo antes en el asiento.
- Apriete los dos tornillos exteriores de montaje del motor lo suficiente como para sujetar el motor en su sitio con el fin de comprobar la alineación de la polea y el volante.
- La correa se debería desviar 1/4 pulgada (6.5 mm) en el punto intermedio entre la polea y el volante cuando se aplique un peso de diez libras (4.5 kg) en el punto intermedio.
- Cuando se logre la tensión apropiada de la correa, apriete los cuatro tornillos de montaje del motor. Apriételos con una llave hasta 20-25 pies-lb (27.1-33.9 Nm).



ALINEACIÓN DE LA POLEA Y EL VOLANTE

El volante del compresor de aire y la polea del motor deben estar en línea (en el mismo plano) con una tolerancia máxima de 1/16 de pulgada (1.6 mm) para asegurar la retención de la correa dentro de las ranuras del volante para la correa. Para comprobar la alineación, realice los siguientes pasos:

- Apague el compresor de aire, bloquee la fuente de alimentación y deje escapar toda la presión de aire del tanque de aire.
- Retire la protección externa de la correa.
- Coloque una regla (4) contra el exterior del volante (1) y la polea de accionamiento del motor cubo (3).
- Mida la distancia entre el borde de la correa (2) y la regla en los puntos A1 y A2 de la figura. La diferencia entre las mediciones no debería ser más de 1/16 de pulgada (1.6 mm).
- Si la diferencia es mayor de 1/16 de pulgada (1.6 mm), afloje el tornillos de ajuste que sujeta la polea de accionamiento del motor (3) al eje y ajuste la posición de la polea en el eje hasta que las mediciones A1 y A2 estén dentro del límite de 1/16 de pulgada (1.6 mm) una de otra.
- Apriete el tornillos de ajuste de la polea de accionamiento del motor. Apriételo con una llave hasta 115–125 pulgadas-lb (13.0–14.1 Nm).
- Inspeccione visualmente la polea de accionamiento del motor para verificar que esté perpendicular al eje del motor de accionamiento. Los puntos (B1 y B2) de la figura deberían parecer ser iguales. Si no lo son, afloje el tornillo de ajuste de la polea de accionamiento del motor e iguale B1 y B2, teniendo cuidado de no alterar la alineación de la correa que se realizó previamente.
- Reapriete el tornillo de ajuste de la polea de accionamiento del motor. Apriételo con una llave hasta 115–125 pulgadas-lb (13.0–14.1 Nm).
- Reinstale la protección externa de la correa.



Mantenimiento (continuación)

VÁLVULAS DE ADMISIÓN Y ESCAPE DEL COMPRESOR DE AIRE

Una vez al año, lleve el compresor a un centro de servicio y haga que un técnico de servicio capacitado compruebe las válvulas de admisión y escape de la bomba del compresor de aire.

INSPECCION LAS LÍNEAS DE AIRE Y LOS ACOPLAMIENTOS DE AIRE PARA COMPROBAR SI HAY FUGAS

Aviso: Incluso las fugas menores pueden hacer que el compresor de aire trabaje excesivamente, lo cual causará una avería prematura o un rendimiento inadecuado.

- Enciende el compresor de aire y deje que se incremente la presión del tanque. El motor se detendrá una vez alcanzado el valor de presión de “corte apague” del tanque.
- Apague el compresor de aire y desenchufe la unidad.
- Aplique una solución jabonosa a todos los acoplamientos de aire y las conexiones / cañerías.
- Tire del aro de la válvula de seguridad dejando purgar el aire del tanque hasta que este reduzca su presión aproximadamente a 20 PSI. Suelte el aro de la válvula de seguridad.
- Drene el agua contenida en el tanque de aire, abriendo la válvula de drenaje (sentido antihorario) ubicada en la base del tanque.
- Corrija cualquier pérdida encontrada.

APRIETE DE LOS PERNOS DE LA CABEZA DEL COMPRESOR CON UNA LLAVE

Los pernos de la cabeza de la bomba del compresor de aire se deberían mantener apretados apropiadamente. Compruebe las fuerzas de torsión de los pernos de la cabeza después de las primeras cinco horas de funcionamiento.

- Apriete los pernos con una llave hasta 15-20 pies-lb (20.3–27.1 Nm).

Cuidado y limpieza

- Drene el tanque de aire para eliminar la humedad después de la utilización.
- Cuando no esté usando el compresor, almacénelo en un lugar fresco y seco.
- Desconecte la manguera de aire y cuelgue los extremos abiertos hacia abajo para dejar que la humedad drene.
- Proteja el cable eléctrico y las mangueras de aire de daños (tales como ser pisoteados o pasados por encima).

Resolución de problemas

Problema	Causa posible	Solución
El compresor no funciona.	<input type="checkbox"/> El tanque tiene una presión insuficiente.	<input type="checkbox"/> Cuando la presión del tanque baje, el compresor se encenderá a la presión de conexión.
	<input type="checkbox"/> No hay alimentación eléctrica a la unidad.	<input type="checkbox"/> Verifique la conexión del cableado dentro del interruptor de presión y el área de la caja de terminales.
	<input type="checkbox"/> Ha saltado el cortacircuito o se ha fundido un fusible en la fuente de alimentación principal.	<input type="checkbox"/> Compruebe el fusible/cortacircuito.
	<input type="checkbox"/> El protector contra sobrecargas térmicas está accionado.	<input type="checkbox"/> APAGUE el compresor de aire (0).
		<input type="checkbox"/> Desenchufe el compresor de aire y espere hasta que se enfríe.
		<input type="checkbox"/> Oprime el botón rojo de reiniciar del motor.
<input type="checkbox"/> ENCIENDA el compresor de aire (1)..		
<input type="checkbox"/> Hay pérdida de potencia o sobrecalentamiento.	<input type="checkbox"/> Verifique el cableado. NOTA: Los tramos largos de cable eléctrico podrían causar pérdida de la potencia suministrada al motor.	
<input type="checkbox"/> El interruptor de presión está en mal estado.	<input type="checkbox"/> Reemplace el interruptor de presión.	
El motor emite un zumbido mientras funciona lentamente o no funciona en absoluto.	<input type="checkbox"/> La tensión procedente de la fuente de alimentación es baja.	<input type="checkbox"/> Mida el voltaje con un voltímetro.
	<input type="checkbox"/> Hay conexiones eléctricas flojas.	<input type="checkbox"/> Verifique si las conexiones del cableado dentro del interruptor de presión y el área de la caja de terminales están firmemente apretadas.
	<input type="checkbox"/> Hay un cable del motor en cortocircuito o abierto.	<input type="checkbox"/> Lleve el compresor a un centro de servicio.
	<input type="checkbox"/> Hay una válvula de retención o un descargador en estado defectuoso.	<input type="checkbox"/> Lleve el compresor a un centro de servicio.
El compresor está chirriando.	<input type="checkbox"/> La bomba del compresor no tiene aceite.	<input type="checkbox"/> Compruebe la bomba de aceite.
	<input type="checkbox"/> La correa está demasiado floja.	<input type="checkbox"/> Compruebe la tensión de la correa.
El compresor está teniendo una entrada de aire restringida.	<input type="checkbox"/> El filtro de aire está sucio.	<input type="checkbox"/> Limpie o reemplace el filtro de aire.

Resolución de problemas (continuación)

Problème	Cause possible	Solution
El compresor está haciendo ruidos de golpeteo.	<input type="checkbox"/> Hay una polea floja.	<input type="checkbox"/> Apriete el tornillos de ajuste de las poleas.
	<input type="checkbox"/> Hay un volante flojo.	<input type="checkbox"/> Apriete el tornillo del volante.
	<input type="checkbox"/> Los tornillos de montaje del compresor esta flojos.	<input type="checkbox"/> Apriete los tornillos de montaje.
	<input type="checkbox"/> La correa está demasiado floja.	<input type="checkbox"/> Compruebe la tensión de la correa.
	<input type="checkbox"/> Se ha acumulado una cantidad excesiva de carbono en la bomba.	<input type="checkbox"/> Lleve el compresor a un centro de servicio.
	<input type="checkbox"/> La correa está demasiado apretada.	<input type="checkbox"/> Compruebe la tensión de la correa.
Hay un desgaste excesivo de la correa.	<input type="checkbox"/> La correa está demasiado floja.	<input type="checkbox"/> Compruebe la tensión de la correa.
	<input type="checkbox"/> La correa está demasiado apretada.	<input type="checkbox"/> Compruebe la tensión de la correa.
	<input type="checkbox"/> La polea está demasiado floja.	<input type="checkbox"/> Alinee la polea / el volante. Compruebe la tensión de la correa. Apriete el tornillo de ajuste de las poleas.
	<input type="checkbox"/> La polea está desalineada.	<input type="checkbox"/> Alinee la polea / el volante.
Hay aceite y/o humedad en el tanque y/o las líneas de aire.	<input type="checkbox"/> Las conexiones (acoplamientos, tubos, etc.) están flojas y tienen fugas.	<input type="checkbox"/> Compruebe todas las conexiones con una solución de agua y jabón y apriételas.
	<input type="checkbox"/> La válvula de drenaje está floja o abierta.	<input type="checkbox"/> Apriete la válvula de drenaje.
	<input type="checkbox"/> La válvula de retención tiene fugas.	<input type="checkbox"/> Lleve el compresor a un centro de servicio.

Resolución de problemas (continuación)

Problème	Cause possible	Solution
Hay exceso de humedad en el aire de descarga.	<input type="checkbox"/> Hay exceso de agua en el tanque de aire.	<input type="checkbox"/> Es normal que las bombas de los compresores de aire lubricados con aceite liberen algo de aceite al tanque y las líneas de aire. Los compresores de aire también generarán condensación de agua que se formará en el tanque y las líneas de aire. Instale colectores de filtro de agua y aceite cuando sea necesario. La sección Sistema de distribución de aire comprimido típico proporciona una pauta. Contacte o llame a Servicio al Cliente de Husky para obtener más información. <input type="checkbox"/> IMPORTANTE: Si el tanque o las líneas de aire tiene exceso de agua y/o aceite, lleve el compresor a un centro de servicio.
	<input type="checkbox"/> El aceite que escapa se ha acumulado en la bomba.	
Los fusibles se funden o el cortacircuito salta repetidamente.	<input type="checkbox"/> Se está usando un tamaño de fusible incorrecto o el circuito se está sobrecargando.	<input type="checkbox"/> Verifique que se está utilizando el tamaño de fusible apropiado.
		<input type="checkbox"/> Utilice fusibles de acción retardada.
		<input type="checkbox"/> Desconecte otros electrodomésticos del circuito o utilice el compresor en su propio circuito derivado.
	<input type="checkbox"/> Hay conexiones eléctricas flojas.	<input type="checkbox"/> Verifique la conexión del cableado dentro del interruptor de presión y el área de la caja de terminales.
<input type="checkbox"/> Hay una válvula de retención o un descargador en estado defectuoso.	<input type="checkbox"/> Lleve el compresor a un centro de servicio.	



¿Preguntas, problemas, faltan piezas? Antes de devolver la unidad a la tienda, llame a Servicio al Cliente de Husky de 8 a.m. a 6 p.m., Hora del Este (EST), de lunes a viernes.

1-888-43-HUSKY

HUSKYTOOLS.COM

Retenga este manual para uso futuro.

Número de documento: E111362

03/01/2020