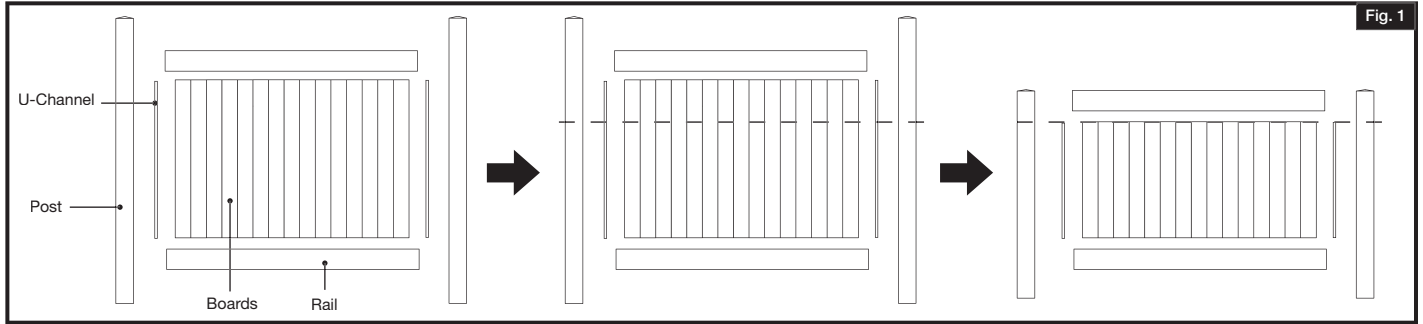


## Reducing the Height of Ready-To-Assemble Panels & Gates:

**1.** Cut boards and U-channels to desired height (Fig. 1).



### Creating an Angled Panel:

- a. Keep in mind the top rail will be longer than the bottom rail due to the angle. Make sure it is long enough to cover the width of the panel once the angled cut is made

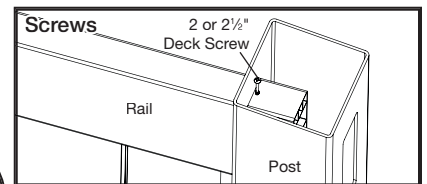
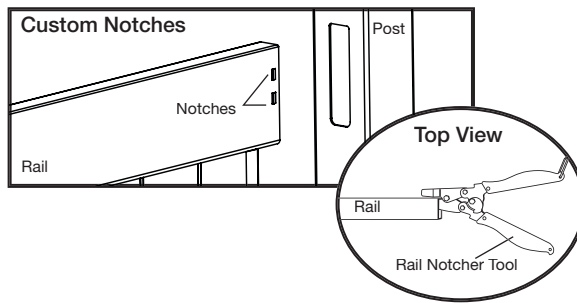
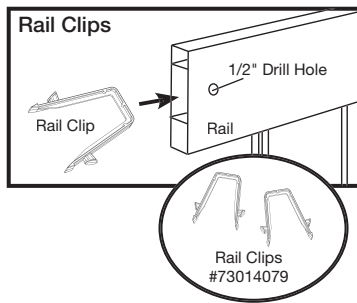
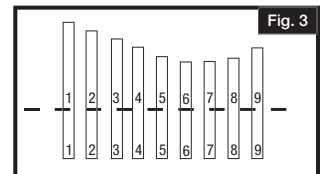
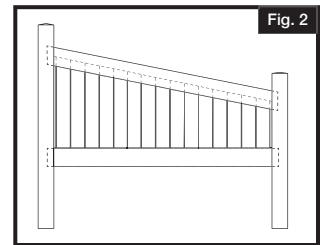
**NOTE:**

- Cut the ends of the rails at an angle parallel with the post. (Fig. 2).
- Scalloped panels are numbered on the bottom of the boards. Write the board number in marker above the cut line to avoid losing track of the numerical order after cutting (Fig. 3).

- b. The top post holes may need to be elongated to accept the top rail (start with small increments to ensure a tight fit without an open gap).

- c. Mark the boards with a chalk line to guide the angled cut.

- d. Secure rails into route holes with one of the methods below:

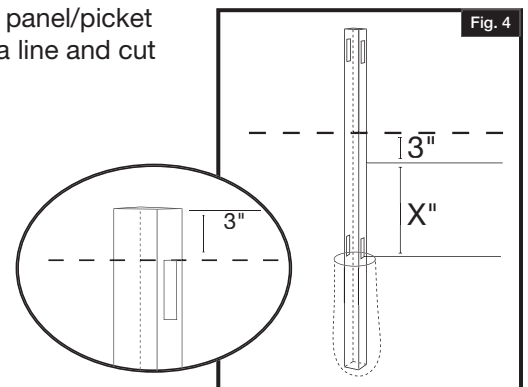


**2.** To cut posts, measure the height of the new panel/picket (X). Add 3" to the panel/picket height from the bottom of the bottom rail hole to the top of the post. Mark a line and cut the post at the line (or as project requires) (Fig. 4).

**NOTE:**

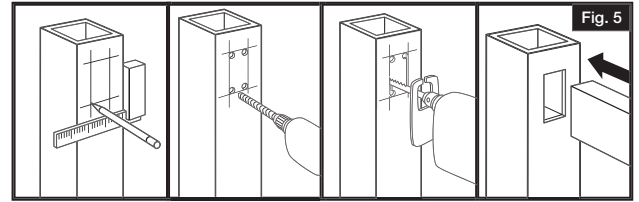
For panels with 3 rails, reroute the bottom post hole to avoid having to reroute both top holes instead.

If cutting the bottom of a post, do not add 3" to panel/picket height.



# 3.

a. Measure area for post route hole. Make route centered on sides & square to post. Drill holes in corners of area to be routed. Make sure you drill holes large enough for a jig saw blade. Cut to line & clean opening. Use a jig saw to cut opening and clean with a file. Insert rail into route hole of post and secure (Fig. 5).



b. Finish assembling the rest of the fence or gate panel by following the respective installation instructions.

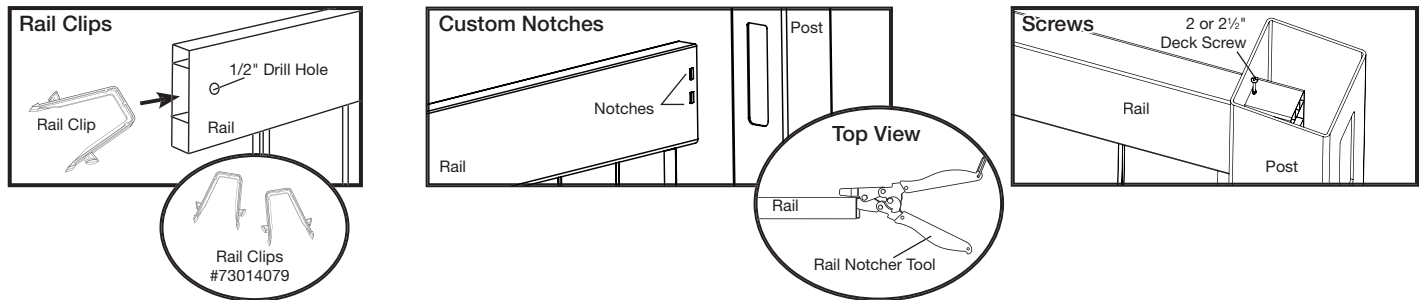
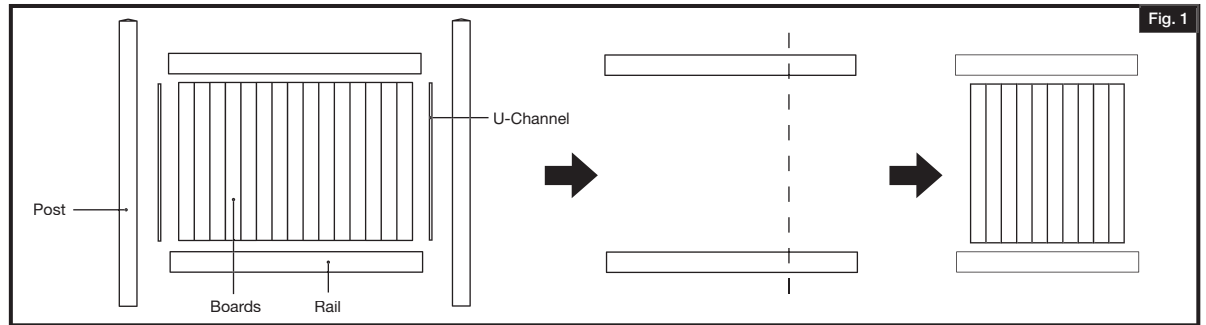
## Reducing the Width of Ready-To-Assemble Panels & Gates:

# 1.

Simply remove boards from panel and cut rails to desired length (make sure rails are 3" wider than the finished panel size, so that the rails can be inserted into the post routes (Fig. 1). For added security, add rail clips, notches, or screws to the end of the cut rails.

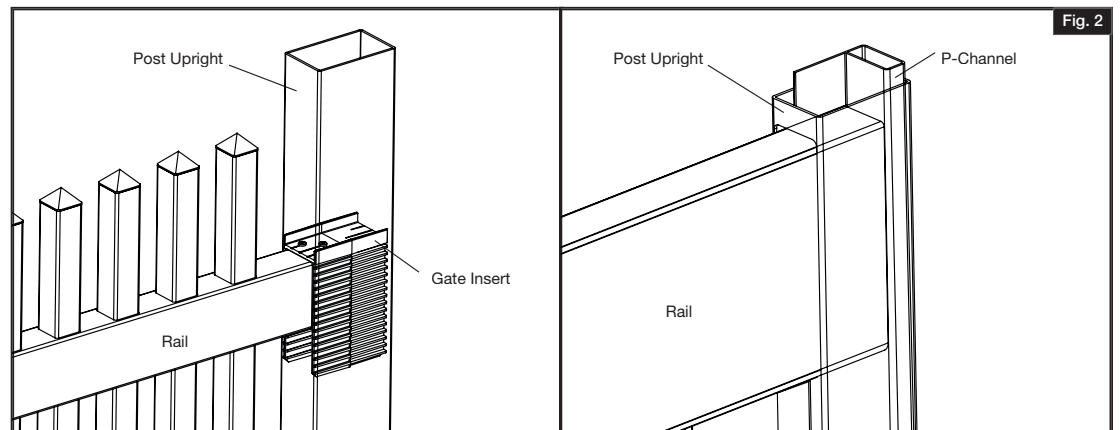
### NOTE:

If cutting one of the vertical boards is necessary to achieve the desired panel width, draw a line the length of the board and slowly cut using a fine tooth saw.



# 2.

If reducing the width of a gate, be sure to take into consideration any inserts or channels inside the post uprights, and cut the rail lengths as required (Fig. 2).



# 3.

Finish assembling the rest of the fence or gate panel by following the respective installation instructions.