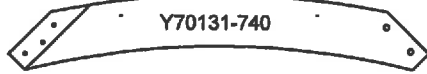


Part Identification (Dimensions are approximate and are shown to assist in the identification of parts for assembly. Actual dimensions may be smaller or larger.)

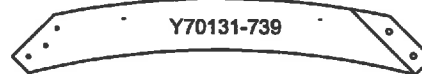
139.7 x 139.7 x 2235.2mm (5½ x 5½ x 88")
4pc. (752) - Post



34.9 x 165.1 x 926.9mm (1-3/8 x 6-1/2 x 36-1/2")
4pc. (740) - Short Right Gusset



34.9 x 165.1 x 926.9mm (1-3/8 x 6-1/2 x 36-1/2")
4pc. (739) - Short Left Gusset



31.8 x 127 x 385.8mm (1-1/4 x 5 x 15-3/16")
8pc. (727) - Inside Short Beam



31.8 x 127 x 2235.2mm (1-1/4 x 5 x 88")
4pc. (728) - Inside Long Beam



31.8 x 127 x 1497mm (1-1/4 x 5 x 58-15/16")
4pc. (726) - Right Outside Beam



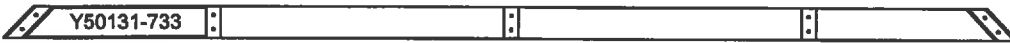
19.1 x 127 x 177.8mm (3/4 x 5 x 7")
16pc. (738) - Plinth



31.8 x 127 x 1497mm (1-1/4 x 5 x 58-15/16")
4pc. (725) - Left Outside Beam



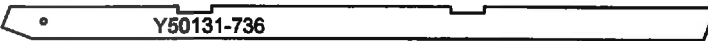
28.6 x 69.9 x 2234.5mm (1-1/8 x 2-3/4 x 88")
4pc. (733) - Strap Long



28.6 x 69.9 x 1112.5mm (1-1/8 x 2-3/4 x 43-3/4")
4pc. (732) - Short Strap



28.6 x 69.9 x 1570mm (1-1/8 x 2-3/4 x 61-13/16")
4pc. (736) - Rafter



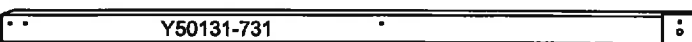
25.4 x 80 x 2137mm (1 x 3-1/8 x 84-1/8")
4pc. (737) - Corner RT



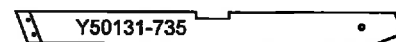
25.4 x 80 x 2137mm (1 x 3-1/8 x 84-1/8")
4pc. (729) - Corner LT



28.6 x 69.9 x 1530.8mm (1-1/8 x 2-3/4 x 60-1/4")
4pc. (731) - Fascia Left Short



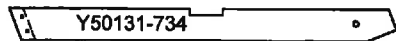
28.6 x 69.9 x 858mm (1-1/8 x 2-3/4 x 33-3/4")
4pc. (735) - Rafter Short Left



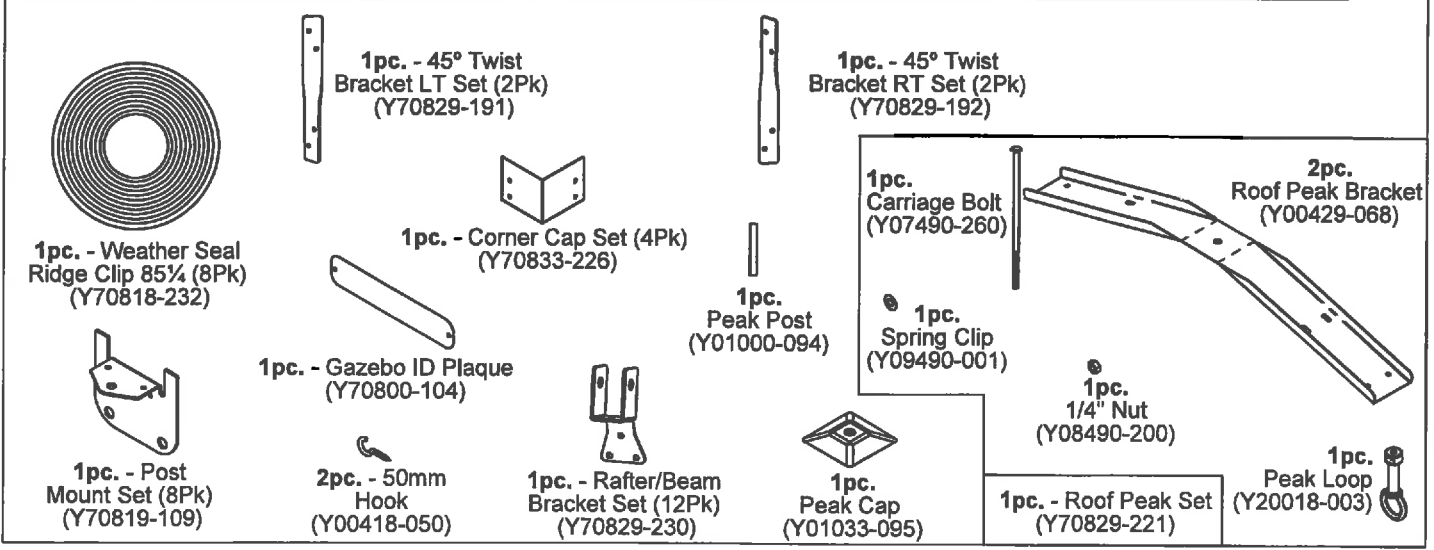
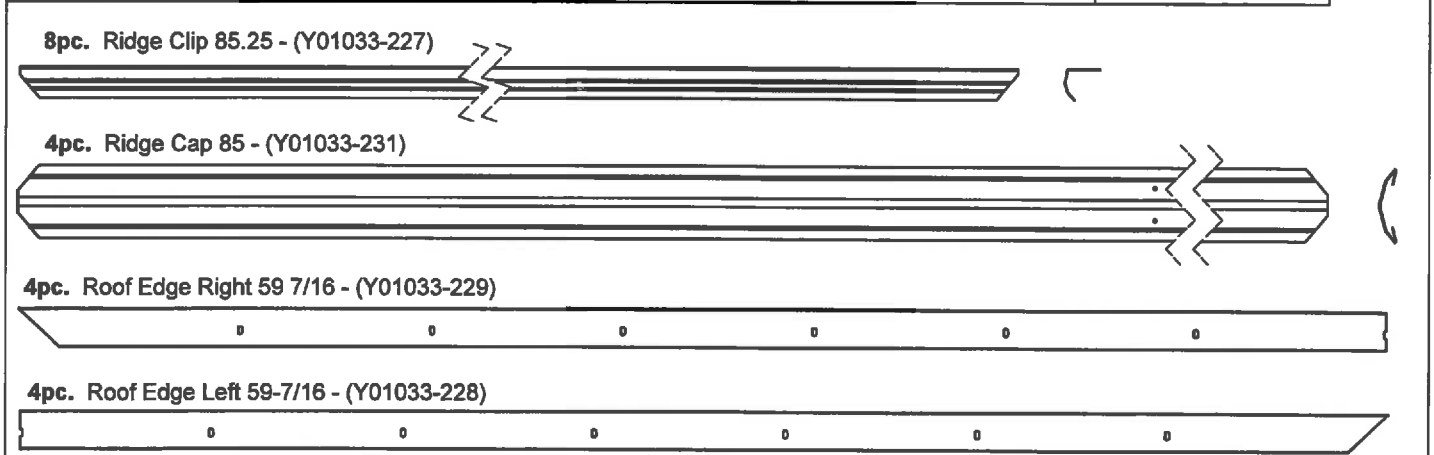
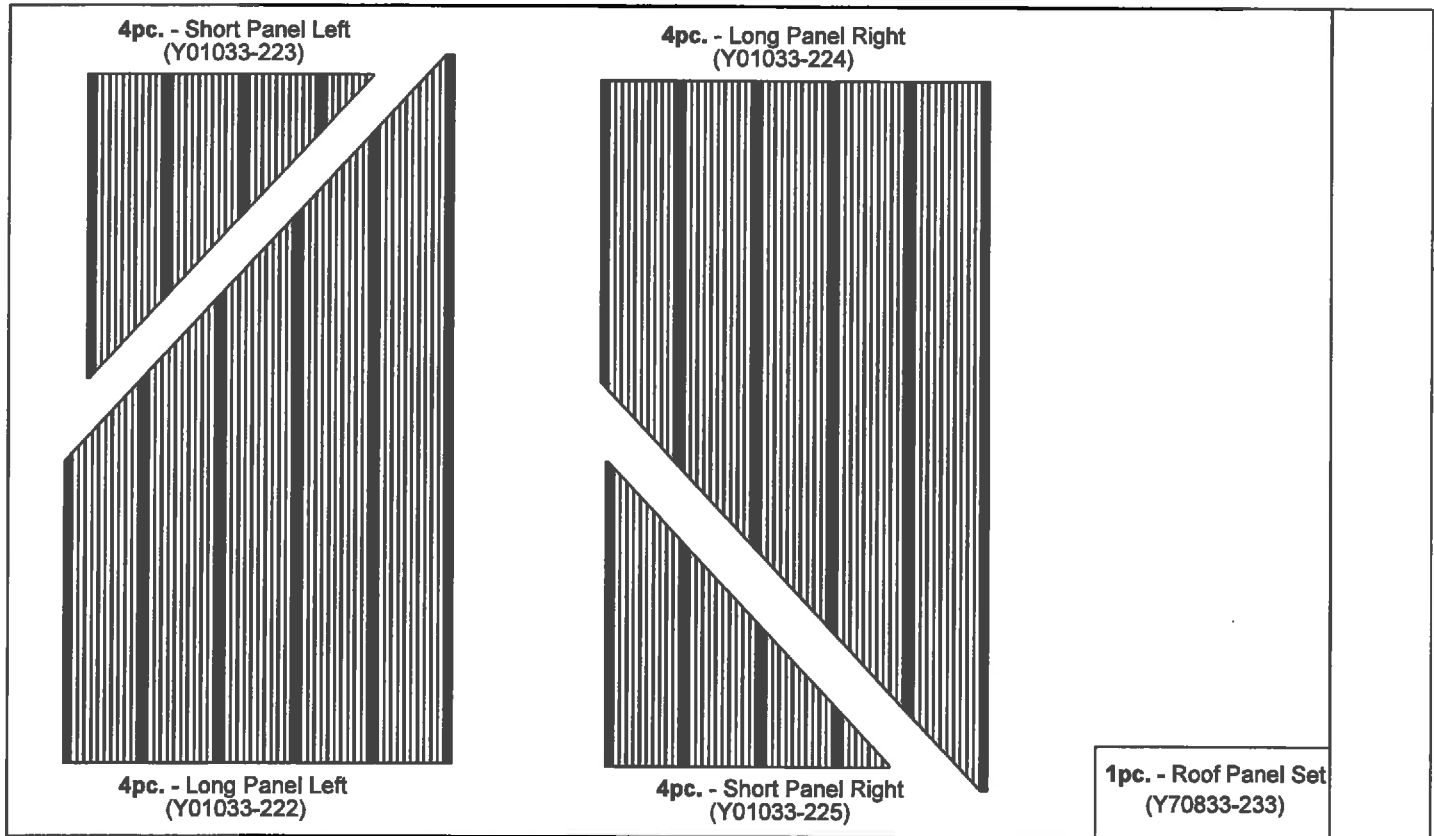
28.6 x 69.9 x 1530.8mm (1-1/8 x 2-3/4 x 60-1/4")
4pc. (730) - Fascia Right Short




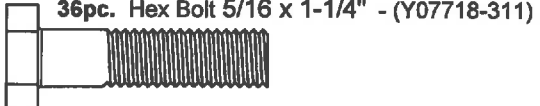

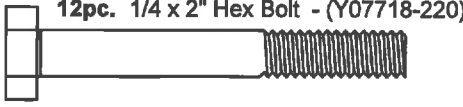
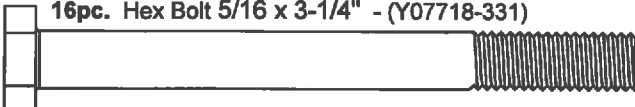
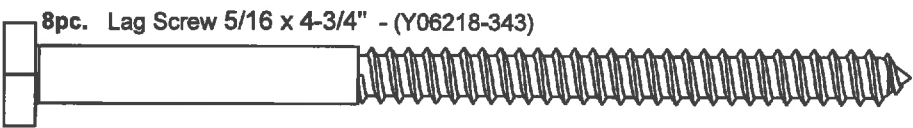


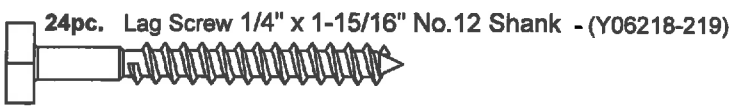
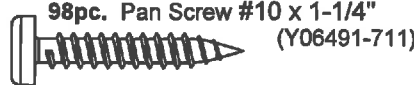

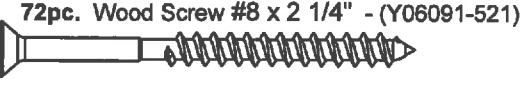

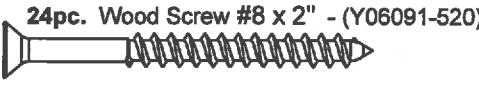
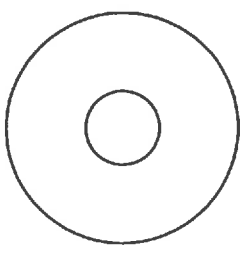

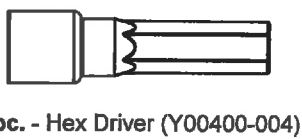
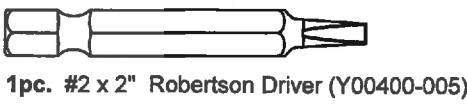

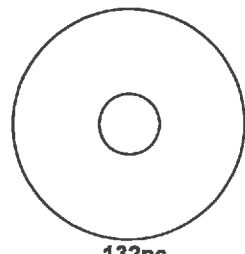

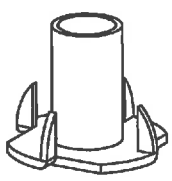
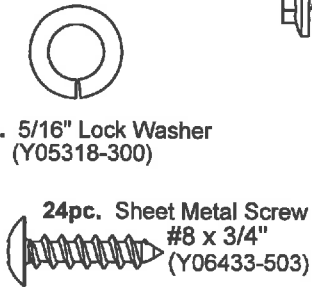
28.6 x 69.9 x 858mm (1-1/8 x 2-3/4 x 33-3/4")
4pc. (734) - Rafter Short Right



Hardware Identification (Dimensions are approximate and are shown to assist in the identification of parts for assembly. Actual dimensions may be smaller or larger.)



Hardware Identification (Dimensions are approximate and are shown to assist in the identification of parts for assembly. Actual dimensions may be smaller or larger.)

 <p>12pc. 1/4 x 2-3/4 Hex Bolt - (Y07718-223)</p>	 <p>36pc. Hex Bolt 5/16 x 1-1/4" - (Y07718-311)</p>		
 <p>12pc. 1/4 x 2" Hex Bolt - (Y07718-220)</p>			
 <p>16pc. Hex Bolt 5/16 x 3-1/4" - (Y07718-331)</p>			
 <p>8pc. Lag Screw 5/16 x 4-3/4" - (Y06218-343)</p>	 <p>1pc. - 1/8" Drill Bit (Y00400-002)</p>		
 <p>24pc. Lag Screw 1/4" x 1-15/16" No.12 Shank - (Y06218-219)</p>			
 <p>98pc. Pan Screw #10 x 1-1/4" (Y06491-711)</p>			 <p>160pc. Wood Screw #8 x 1-1/2" (Y06091-512)</p>
 <p>72pc. Wood Screw #8 x 2 1/4" - (Y06091-521)</p>			 <p>32pc. Wood Screw #7 x 3/4" (Y06091-003)</p>
 <p>24pc. Wood Screw #8 x 2" - (Y06091-520)</p>			
 <p>16pc. 3/8 x 1-1/4" Large Washer (Y05118-811)</p>	 <p>24pc. - 1/4" Lock Nut (Y08318-203)</p>	 <p>1pc. - Hex Driver (Y00400-004)</p>	
		 <p>1pc. #2 x 2" Robertson Driver (Y00400-005)</p>	
		 <p>168pc. Hex Roofing Screw #8 x 1" (Y06733-510)</p>	
 <p>132pc. 1/4-5/16 x 1-1/4" Large Washer (Y05118-311)</p>	 <p>8pc. - 3/8" Lock Nut (Y08318-803)</p>	 <p>52pc. 5/16 - T-Nut (Y08518-300)</p>	
		 <p>24pc. Sheet Metal Screw #8 x 3/4" (Y06433-503)</p>	