

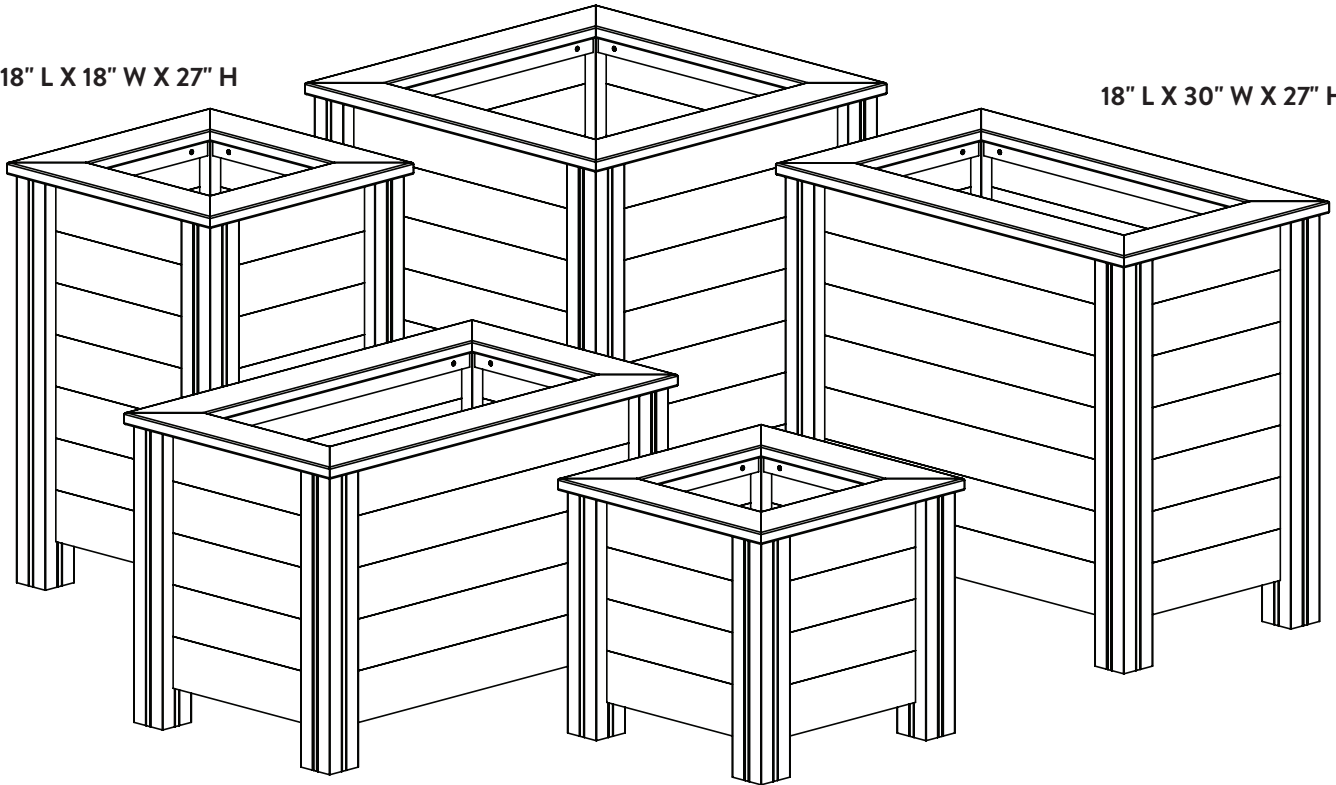


ASSEMBLED DIMENSIONS

25" L X 25" W X 27" H

18" L X 18" W X 27" H

18" L X 30" W X 27" H



18" L X 30" W X 20" H

18" L X 18" W X 16" H

TOOLS YOU WILL NEED



POWER DRILL WITH
PHILLIPS BIT



RUBBER
MALLET



WORK
GLOVES

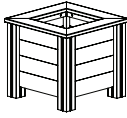
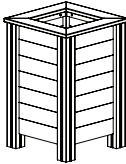
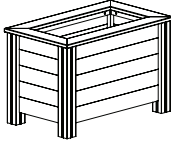
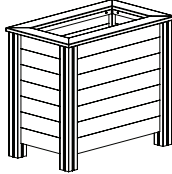
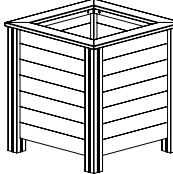


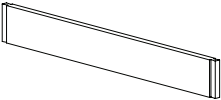


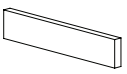


PROTECTIVE
EYEWEAR

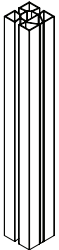


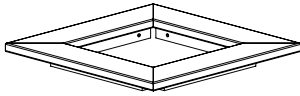

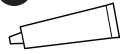
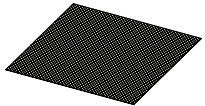
Questions? Call Customer Service:

1-844-529-5882

HAVEN CEDAR FLOWER BOXES – COMPONENTS LIST

	18x18x16	18x18x27	18x30x20	18x30x27	25x25x27
					
A  Long Dovetailed Board with Cleat	N/A	N/A	x2	x2	x4
B  Short Dovetailed Board with Cleat	x4	x4	x2	x2	N/A
C  Long Dovetailed Board	N/A	N/A	x8	x12	x24
D  Short Dovetailed Board	x12	x24	x8	x12	N/A
E  Bottom Boards - Notched	x2	x2	x2	x2	x2
F  Bottom Boards - Straight	x3	x3	x8	x8	x6

Included in all kits

G  Vinyl Legs x4	H  Long filler strips x4	I  Short filler strips x8	J  Pre-assembled top trim piece x1	K  Screws x8	L  Vinyl Adhesive x1
				M  Fabric Liner x1	

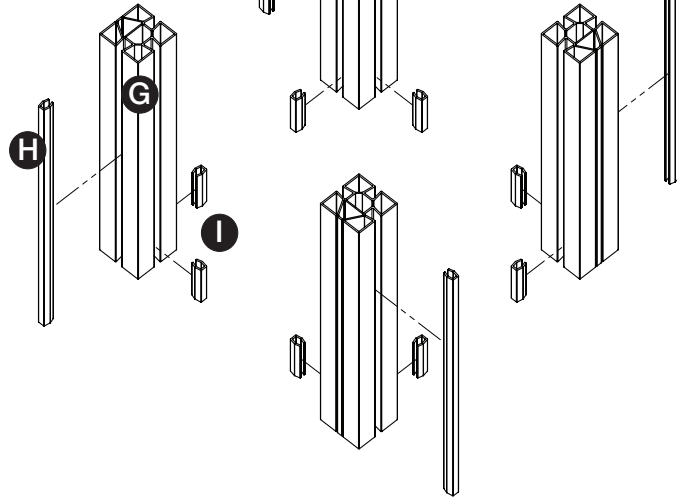
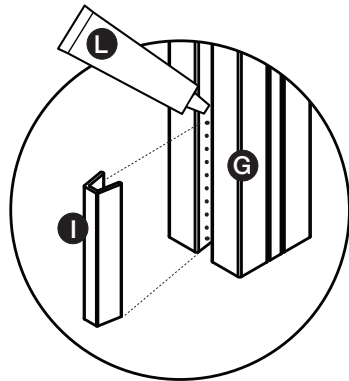
Scan this code to view
our assembly video
OR visit oe.media/havenflowerbox



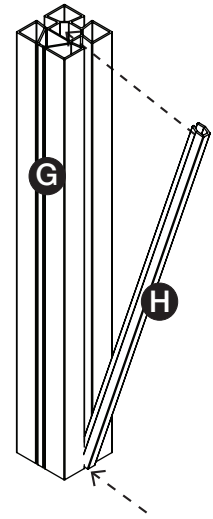
HAVEN CEDAR FLOWER BOXES – ASSEMBLY INSTRUCTIONS

Put filler strips in legs

- 1** Snap long filler strips (H) and short filler strips (I) into legs (G) as shown. Make sure ends are flush. Apply vinyl adhesive (L) to both the inside edges of the leg groove (G) to secure the short filler strips (I) in place.



Tip: Begin by inserting the filler strip at one end and continue pressing in the filler strip as you continue up the post.

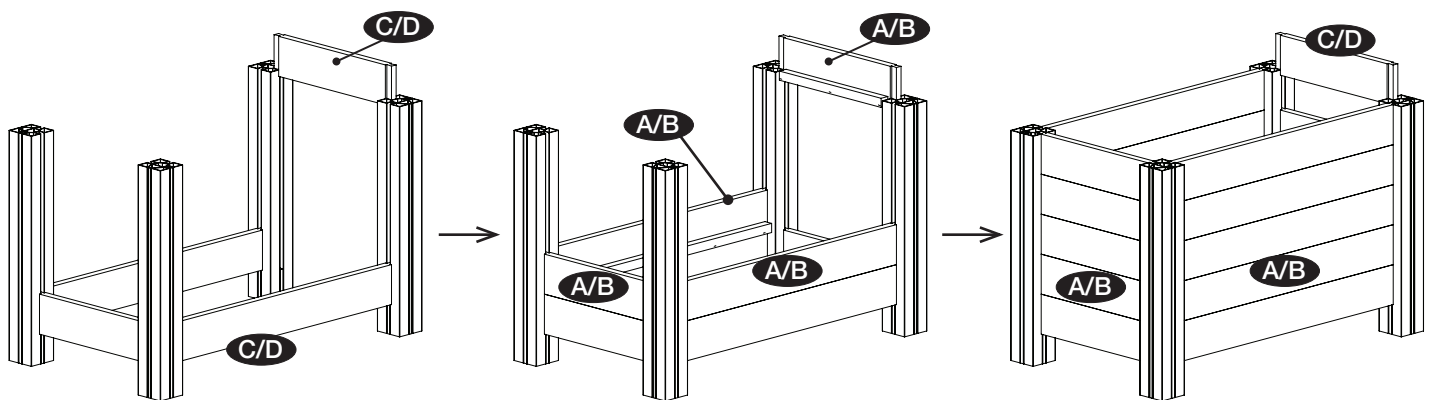
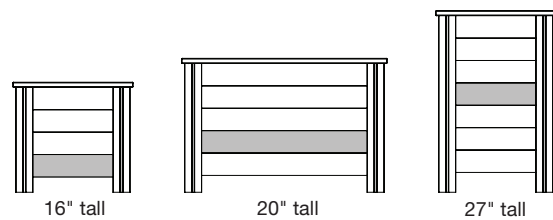


Build the sides

- 2** Start by sliding the dovetailed boards (C/D) into the grooves of the legs as shown. It's recommended that the cleated boards (A/B) are placed no deeper than four boards down from the top of the flower box (to ensure the landscape liner fits)

Tip: Use a rubber mallet to gently tap boards into place, if needed.

Note: The shaded board represents the recommended location for the boards with cleats depending on the height of your flower box.

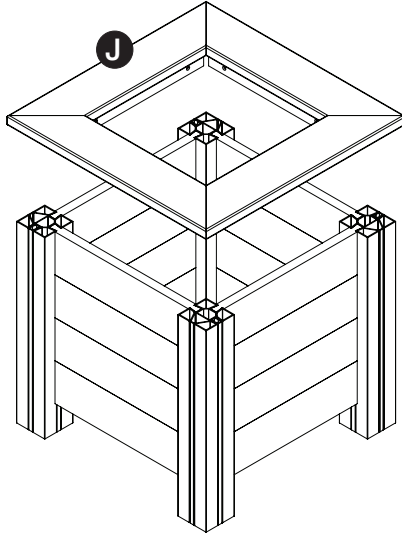


18"x30"x20" Flower Box pictured

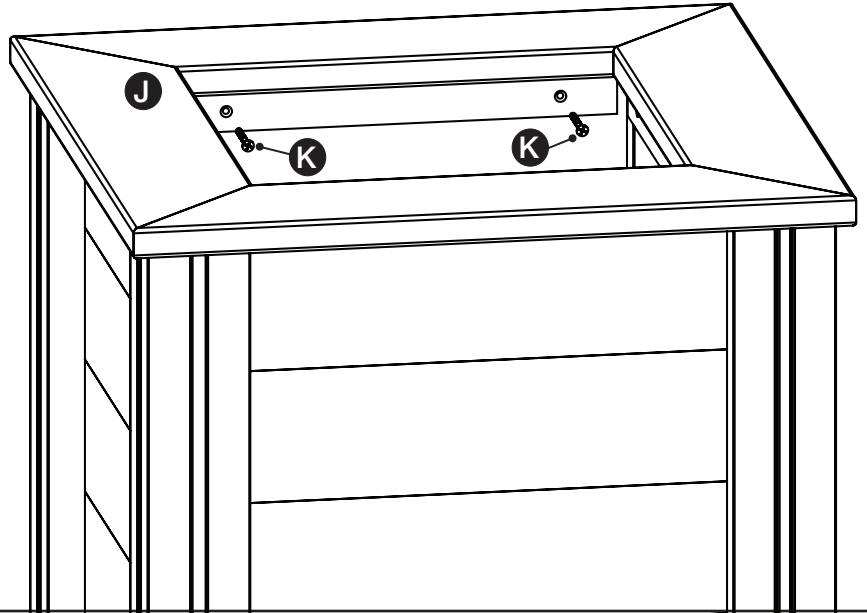
HAVEN CEDAR FLOWER BOXES – ASSEMBLY INSTRUCTIONS

Attach Top Trim Piece

- 3** Line up pre-assembled trim piece (J) on top of legs and insert screws (K) into provided pre-drilled holes.



18"x18"x16" Flower Box pictured

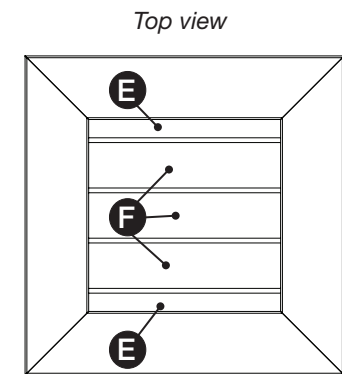
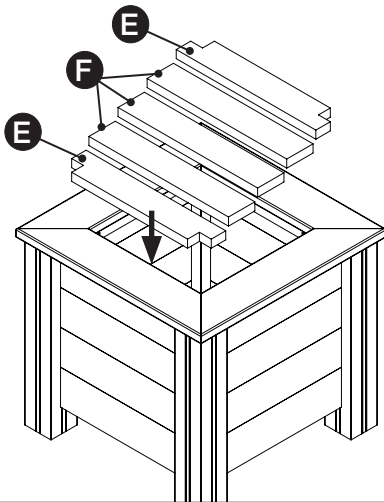


Put in the floor and liner

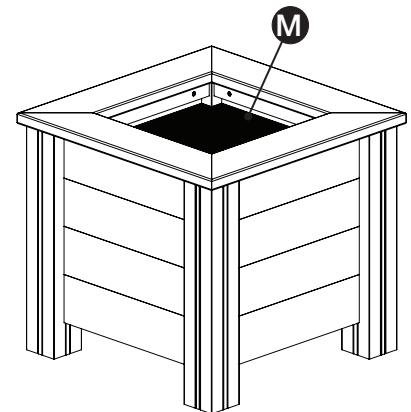
- 4** A. Starting from one side, place a notched board (E), followed by a straight board (F) on top of the cleats as shown. Continue across and end with the second notched board (E).

Note: Allow small gaps between boards for drainage.

- B. Place landscape fabric (M) inside your flower box, covering all sides. Remove or tuck in extra fabric if needed.



18"x18"x16" Flower Box pictured



THE DIAGRAMS AND INSTRUCTIONS IN THIS BROCHURE ARE FOR ILLUSTRATION PURPOSES ONLY AND ARE NOT MEANT TO REPLACE A LICENSED PROFESSIONAL. ANY CONSTRUCTION OR USE OF THE PRODUCT MUST BE IN ACCORDANCE WITH ALL LOCAL ZONING AND/OR BUILDING CODES. THE CONSUMER ASSUMES ALL RISKS AND LIABILITY ASSOCIATED WITH THE CONSTRUCTION OR USE OF THIS PRODUCT. THE CONSUMER OR CONTRACTOR SHOULD TAKE ALL NECESSARY STEPS TO ENSURE THE SAFETY OF EVERYONE INVOLVED IN THE PROJECT, INCLUDING, BUT NOT LIMITED TO, WEARING THE APPROPRIATE SAFETY EQUIPMENT. EXCEPT AS CONTAINED IN THE WRITTEN LIMITED WARRANTY, THE WARRANTOR DOES NOT PROVIDE ANY OTHER WARRANTY, EITHER EXPRESS OR IMPLIED, AND SHALL NOT BE LIABLE FOR ANY DAMAGES, INCLUDING CONSEQUENTIAL DAMAGES.