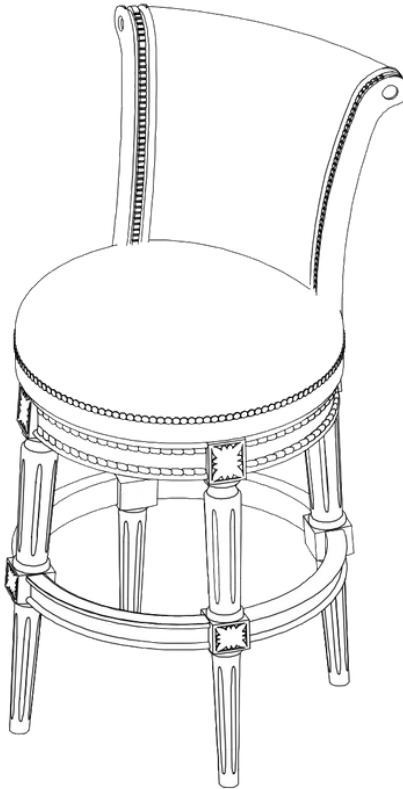


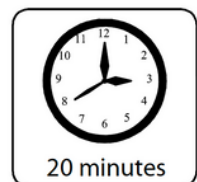


# ASSEMBLY INSTRUCTIONS

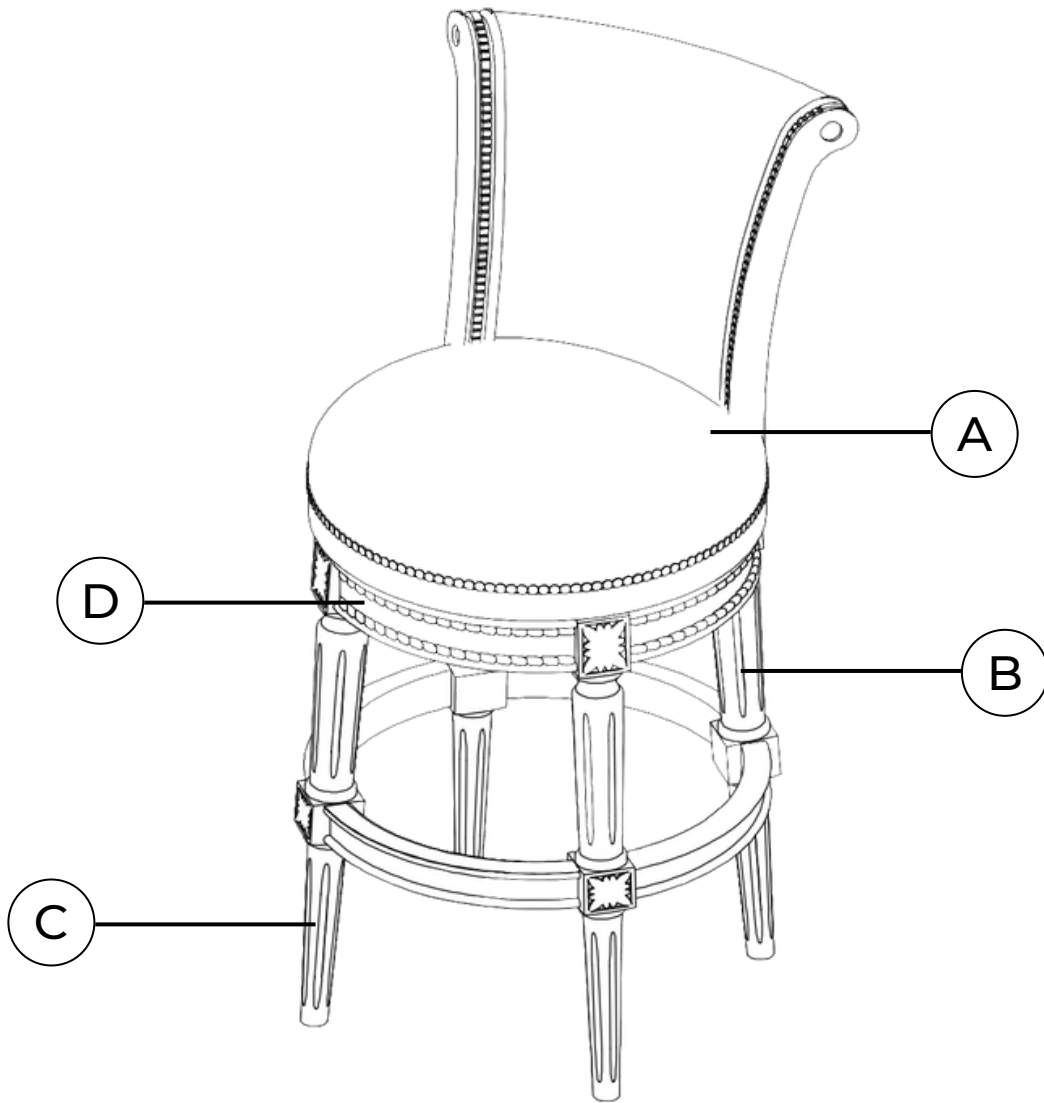
## MAVEN LANE PULLMAN STOOL (COUNTER AND BAR HEIGHT)




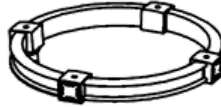


- The use of power tools to assemble this product could lead to damage, making it unsafe
- Please assemble on a clean, level surface to avoid damage and ensure proper assembly

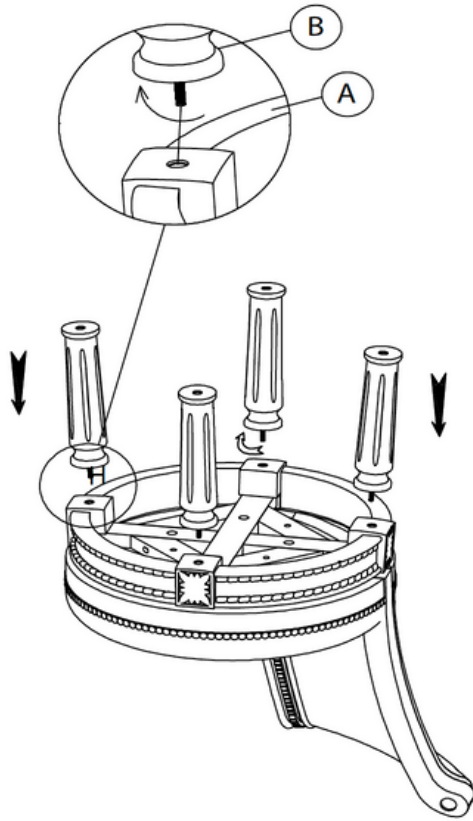


# PARTS LIST



|  |  |
|--|--|
| <p><b>A</b></p>  <p>Qty 1</p> <p>Stool Back With Seat</p> | <p><b>C</b></p>  <p>Qty 4</p> <p>Under Leg</p> |
| <p><b>B</b></p>  <p>Qty 4</p> <p>Upper Leg</p>            | <p><b>D</b></p>  <p>Qty 1</p> <p>Stretcher</p> |

# ASSEMBLY STEPS



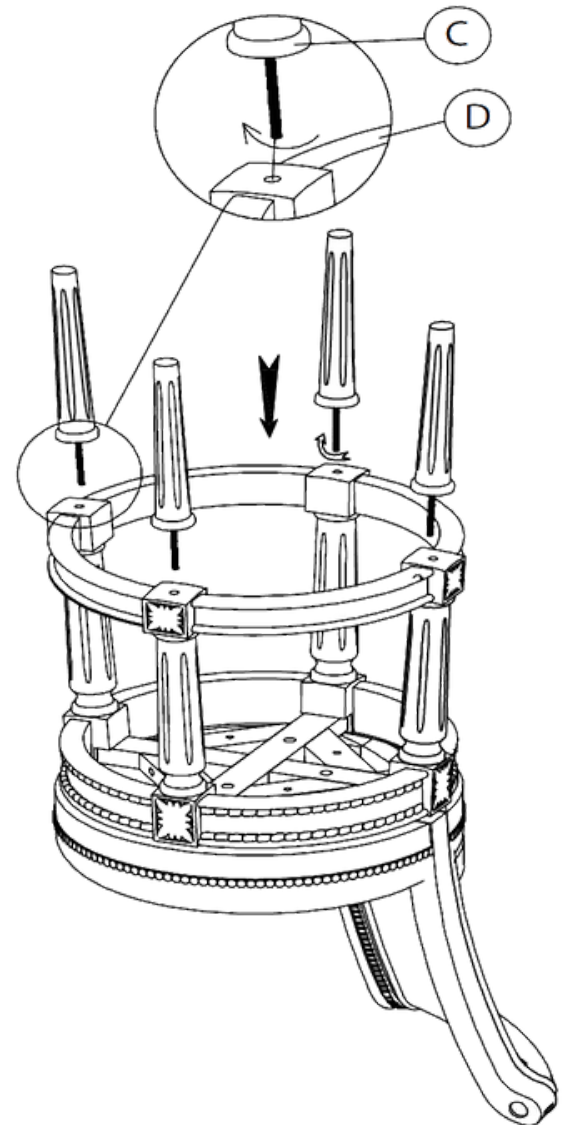
## Step 1

Screw the upper legs (B) into the bottom of the seat (A)

## Step 2

Place stretcher (D) on top, and screw the under legs (C) through the stretcher and into the upper legs (B)

*note: please ensure that the metal foot rest on your stretcher is facing forward and toward the seat*





WE HOPE YOU LOVE YOUR NEW STOOL

