

FEATURES

- Max Flow Rate: 1.8 gpm (6.8 L/min) at 60 psi
- Spout Reach: 7 3/32"
- Spout Height: 2 1/4"
- 1/4 Turn Ceramic Valve for Lifetime Drip-Free Operation
- Exposed Aerator

CODE COMPLIANCE

- IAPMO Certified: ASME A112.18.1/CSA B125.1
- Compliant to NSF/ANSI 61 Section 9
- Compliant to NSF/ANSI 372
- Calgreen Certified
- Meets AB 1953 Lead Standard
- ADA Compliant

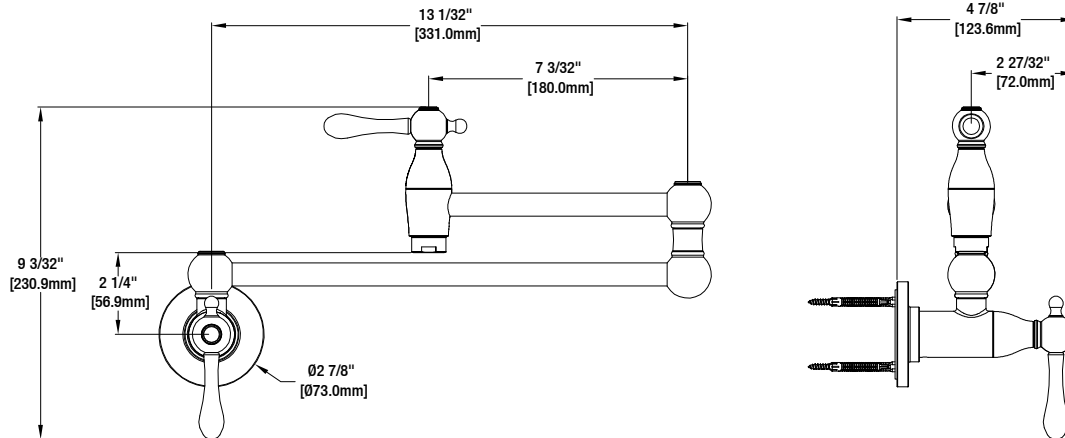
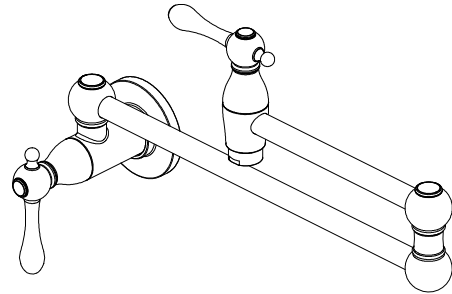


WARRANTY

- Limited Lifetime Warranty

Constructor 2-Handle Standard Kitchen Faucet

MODEL	SKU #	FINISH
67589-0004	204683820	Brushed Nickel
67589-0027H2	204683825	Bronze



INSTALLATION DIMENSIONS

Glacier Bay reserves the right to make changes in specifications and materials and to change and discontinue models, both without notice or obligation. Dimensions are for reference only.