



PIONEER INDUSTRIES, INC.
 3325 S. Garfield Ave.
 Commerce, CA 90040
 (800) 338-9468
 www.pioneerind.com

INSTALLATION

Tools:



Adjustable Wrench



Plumbers Putty



Teflon Tape



Rags

Model Number: 3MT800T, 4MT840T

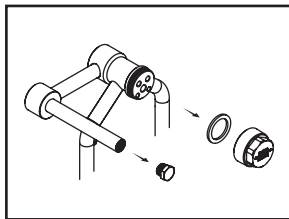


Warnings and Notes:

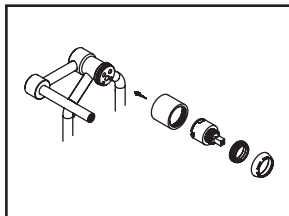
Check with local plumbing code requirements before installation.
 This product should be installed by a local listed plumber.
Do not use plumbers putty on threads.

Installation Steps:

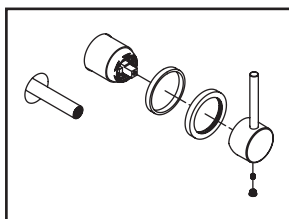
Single Handle Lavatory Wall Mount Vessel Filler



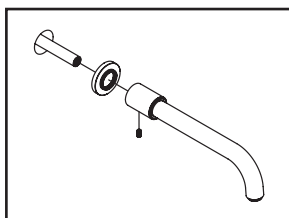
(1) Use 1-9/32" and 21/32" socket set to remove test caps and test plug on wall mount valve body.



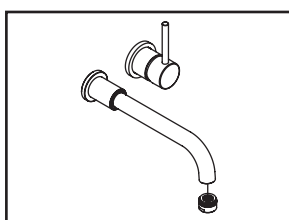
(2) Screw valve sleeve onto valve body, install ceramic disc cartridge and tighten with retainer nut, do not overtighten retainer nut to prevent damage to the cartridge. Thread retainer cap onto retainer nut.



(3) Slide valve escutcheon through valve sleeve against the wall, attach handle to the cartridge and tighten with Allen screw, put hole cover on the handle.



(4) Slide spout escutcheon and spout through spout shank and tighten Allen screw on the spout.

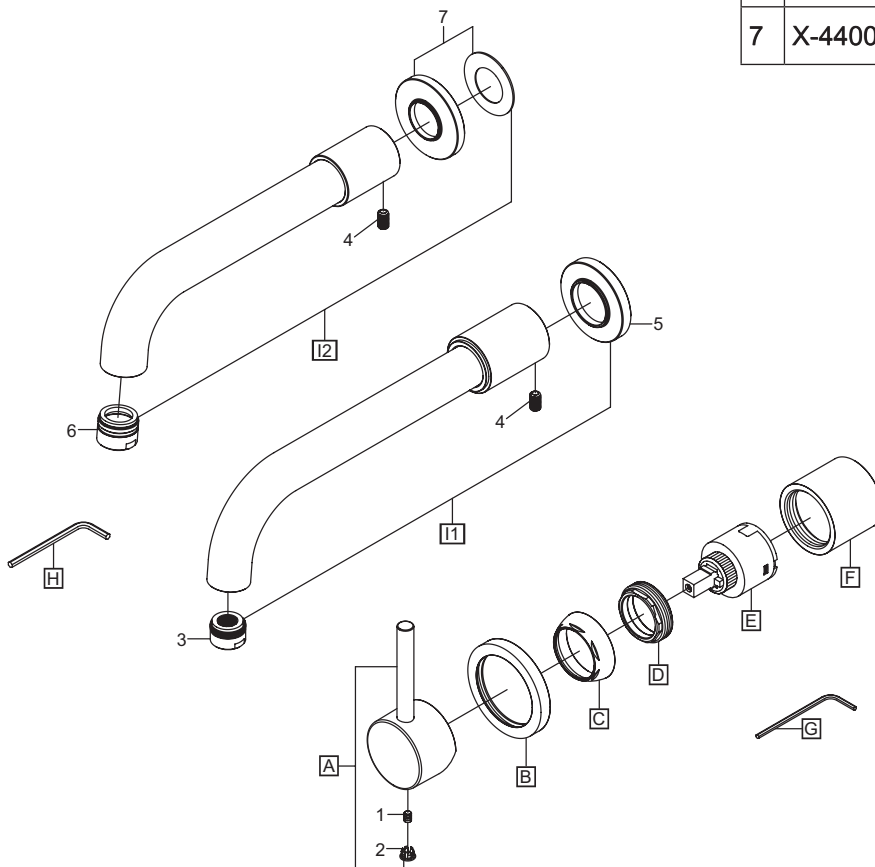


(5) Important: After installation is complete, remove aerator. Turn water supplies on and allow both hot and cold water to run at least one minute each. While water is running, check for leaks. Turn off water and replace aerator.

Exploded Drawing :

* Note: Please specify finish/color when ordering.

| | ITEM # | DESCRIPTION |
|----|------------|--|
| A | X-1900008* | Motegi Lever Handle |
| B | X-4900052* | Valve Escutcheon |
| C | X-4900017* | Retainer Cap |
| D | X-4900018 | Retainer Nut |
| E | X-3900001 | Ceramic Disc Cartridge |
| F | X-4200091* | Valve Sleeve |
| G | X-4900024 | 3/32" Allen Wrench |
| H | X-4900026 | 1/8" Allen Wrench |
| I1 | X-2300005* | Motegi Bent Nose Spout (For 3MT800) |
| I2 | X-2400001* | Motegi Bent Nose Spout (For 4MT840) |
| 1 | X-4900002 | 3/32" Allen Screw |
| 2 | X-4900044* | Hole Cover |
| 3 | X-4900089* | 1.5 GPM Aerator (For 3MT800) |
| 4 | X-4400001 | 1/8" Allen Screw |
| 5 | X-4300029* | Spout Escutcheon (For 3MT800) |
| 6 | X-4400042* | Flow Streamer (For 4MT840) |
| 7 | X-4400040* | Spout Escutcheon & Gasket (For 4MT840) |



For more care information or trouble shooting inquiries
about your Pioneer product, please call:
Pioneer Industries, Inc. (800) 338-9468
Monday-Friday 8AM to 8PM EST (5AM to 5PM PST)
www.pioneerind.com