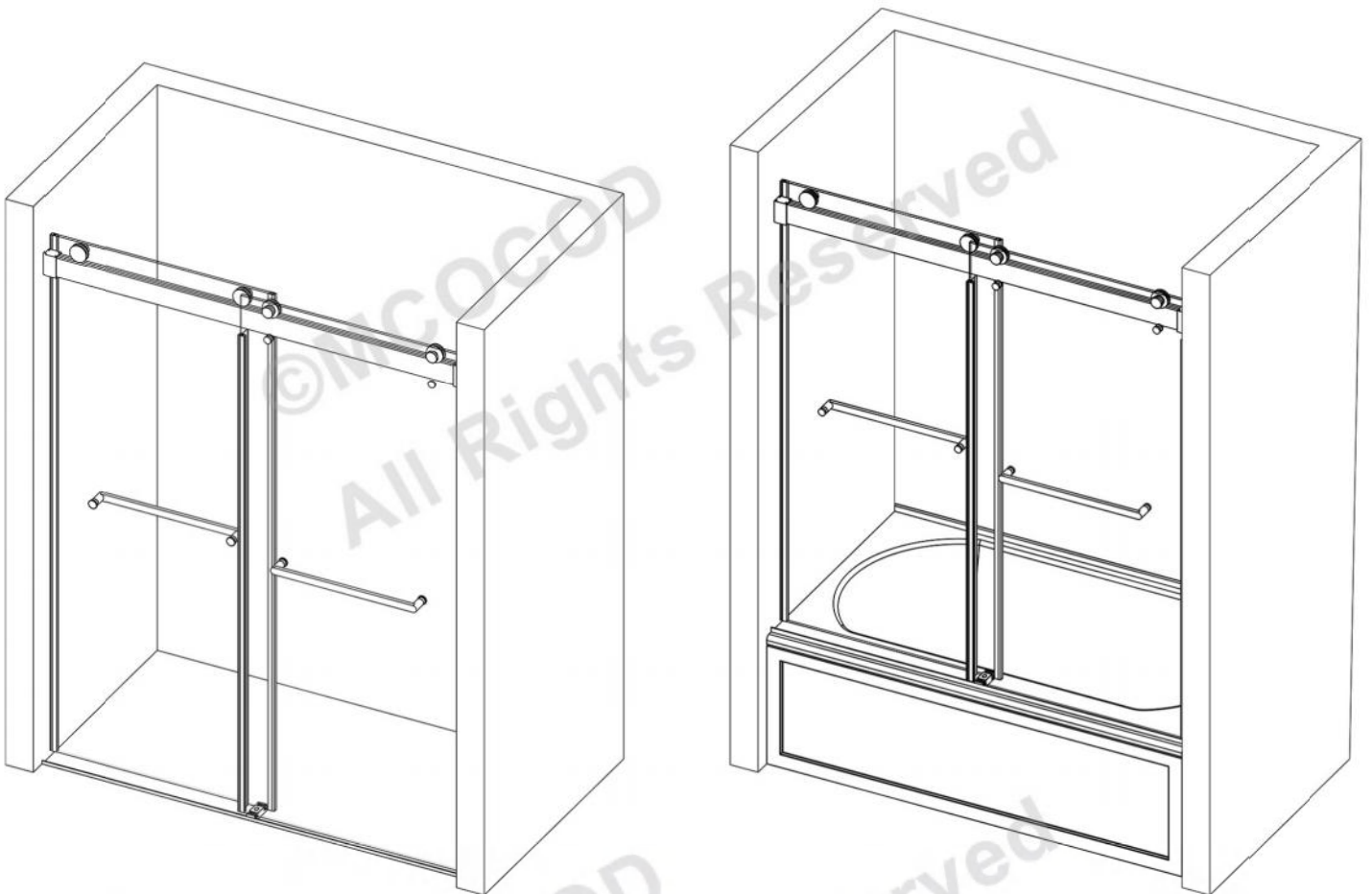




## Shower / Tub Door Installation Instructions



MODEL:

**DS13**

HARDWARE FINISH:

CH-CHROME  
BR-BRUSHED NICKEL  
BL-MATTE BLACK  
BG-BRUSHED GOLD

GLASS TEXTURE:

CLEAR  
FROSTED

**Please review this manual before installation.**

**Customer service/Tech Support:**

**manager10@mcocod.com**

Mon-Sun 5:30 AM-11:30 PM EST.

**470-926-8618**

**321-946-6293**

Mon-Fri 8:30 AM-5:30 PM PST.

# CATALOG

- 1 Product Structure Show
- 2 Parts Listing and Detail
- 5 Preparation
- 7 Tools Required
- 8 Installation Steps
- 14 Inspection and Maintenance
- 16 Troubleshooting Guide
- 17 Alternate Bottom Seal Kit Guide
- 18 Glass Info and Video Link

# DS13



# PARTS LISTING

## DS13

NO.	Name	Picture	Qty	NO.	Name	Picture	Qty
①	Sliding Glass		2	⑩	Wide Seal		2
②	Guide Rail		1	⑪	Anti-splash Threshold		1
③	Roller		4	⑫	*Aluminum Guide Block Short Door Sweep Seal		1
④	Anti-jump knob		4	⑬	*Screw ST4x30 6mm Wall Plug		2
⑤	Wall Bracket		2	⑭	Screw ST5x45 8mm Wall Plug		4
⑥	Soft-close		4	⑮	Screw ST4x30 6mm Wall Plug		1
⑦	Guide Block		1	⑯	Punch Template		1
⑧	Towel Bar		2	⑰	Allen Key		1
⑨	Narrow Seal		2	* Alternate Door Bottom Seal Kit. Matching screws packed separately, includes: 2 ST4X30, 2 Wall Plug.			



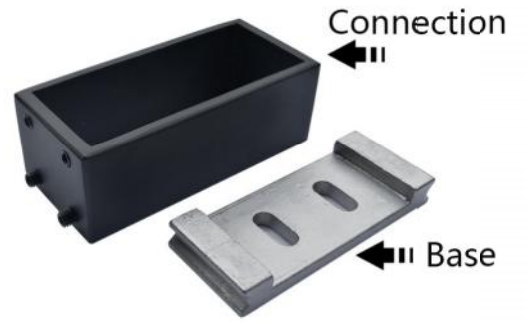
Please keep this manual and order invoice for future reference or get replacement part if necessary.

# PARTS DETAIL



**Aluminum punch template**

(If missing or broken, please refer to page 8 for punch data.)



**Wall Bracket**



**Anti-jump Knob**



**Roller**



**Towel Bar**



**Guide Block**



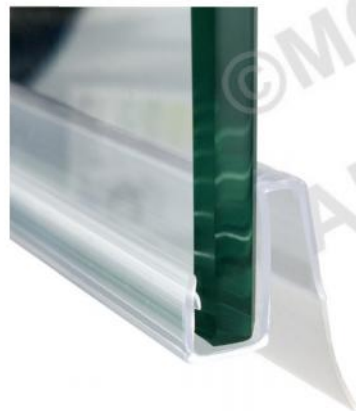
**Screw**

The extra ST5x45 is spare



**Allen key**

# PARTS DETAIL



# PREPARATION

- 1** Please check all parts for transport damage and the qty of each part base on Parts Listing. If any part is damaged, has surface defects, missing or wrong parts, please contact our customer support dept. Please provide order number, invoice, or other purchase proof to identify the original order. Beware of remaining nails after opening the box and avoid bumping and towing when you taking out parts.
- 2** Please consult your local building regulations to check compliance. We are not responsible for your item's compliance with local building regulations.
- 3** All measurement and installation should do after the wall and shower base were completed. Make sure your threshold/tub edge is horizontal. Curbless shower can be applied. Recommended Pro licensed contractor installation. Protective gear is required, e.g. gloves, goggles.
- 4** Before installation, make sure that the surface of the wall is flat and strong enough to support the total weight of the unit. Removal of obstructions on both walls and threshold. Make sure that neither side of the wall offset more than 1/4". Use level to verify that your walls are within 1/4" out of plumb. Irregularly level wall surfaces or too much offset would cause serious problems with the installation.
- 5** Protect all major surfaces of the product when installing and cutting. Do not place glass directly on the rough floor or leaning against the wall, place it on the cardboard or smooth plank before installing it. Remove corner protectors according to the steps, don't remove them in advance.
- 6** Drilling hole into the threshold is required to install this shower/tub door. MIN. threshold depth requirement for installation is 3 in. then the guide block will protrude inward about 1/4 in. We recommended to purchase a finished shower base with threshold depth of no less than 3 in. to match it.

- 7 This instruction will use the installation of shower door as an example. The steps for tub door are the same.
- 8 Understanding shower door construction and parts installation locations.(Please refer to page 1~4). 4 soft-closes have been pre-fixed into the guide rail, please adjust the fixed position of soft-closes before cutting to avoid damaging them.
- 9 Installing DS13 doesn't require to choose opening direction. Once completed, move both doors to change the direction of opening. In entering and exiting the shower, both doors need to be used. Due to the locking of soft-close, you may have difficulty using only one door to walk in and out of your shower.
- 10 For tile wall, you'd best to replenish some mildew-resistant silicone at the seams to avoid leaks.
- 11 Do not cut, polish, etc. to destroy the original appearance of the glass as this will void the warranty and damage the glass.
- 12 Heavy item! Handle it carefully is required during installation. Don't step on the glass. When you take the glass out of box, don't drag it out, please lift it out carefully. Glass should be placed on smooth board or cardboard, preferably not leaning against the wall. After removing the corner protections, don't hit the glass corner. We recommend that 2 adults should be involved in the installation.
- 13 You can watch the installation video for quick overview of the product installation, check the online product page you purchased(HomeDepot/Shopify/Amazon/Wayfair). Please review this manual carefully, the video is for demo purposes. Some parts and installation steps have been improved, please refer to this manual steps first. You can also search for "MCOCOD DS13" on YouTube and find the video posted by "MCOCOD Shower Door"  
( Video Link:<https://youtu.be/vzh3g5pOJjc>)



**NOTE: Please follow this instruction to install the item, non-compliance may result in glass damage or serious personal injury.**

# TOOLS REQUIRED

(Please bring your own tools)



(we offer)  
Aluminum punch template



Spirit level



Tape measure



Power drill



Screw driver



Drill Bits 5/16" & 1/4"



Pencil



Rubber hammer

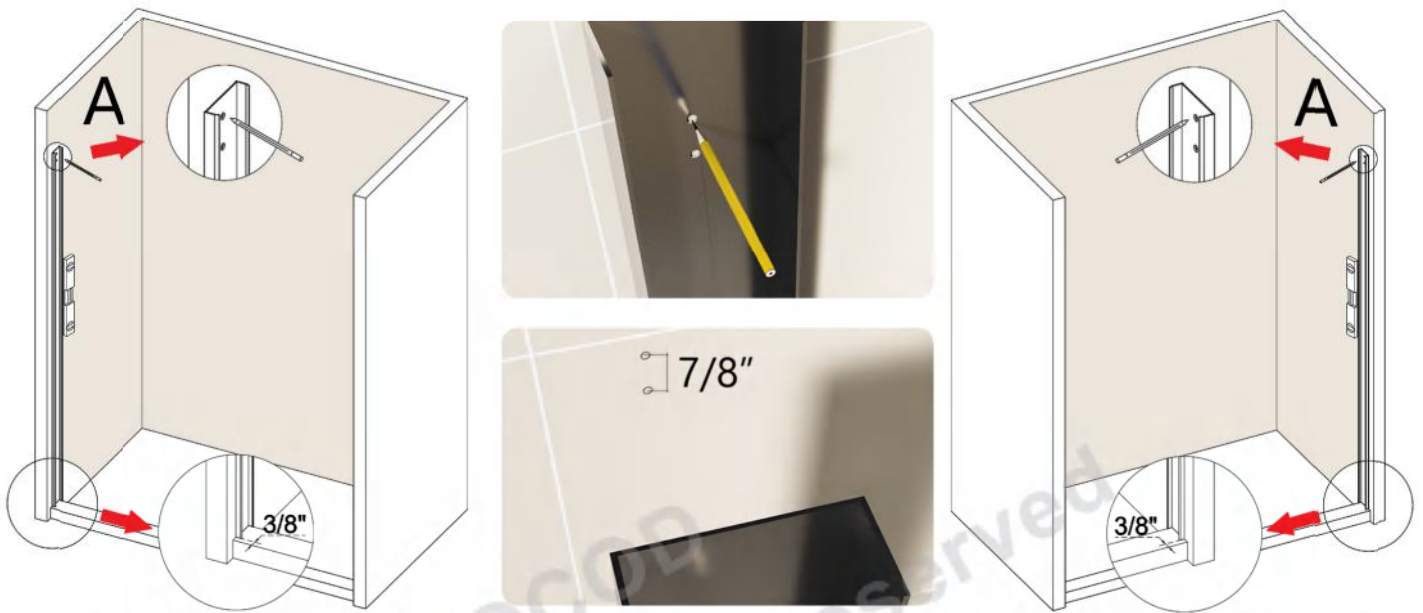


Hacksaw

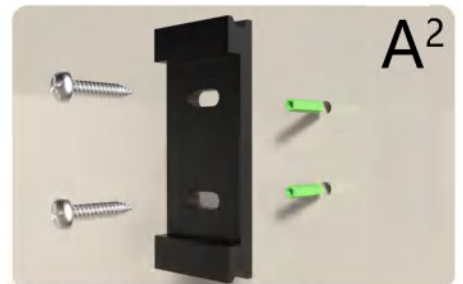
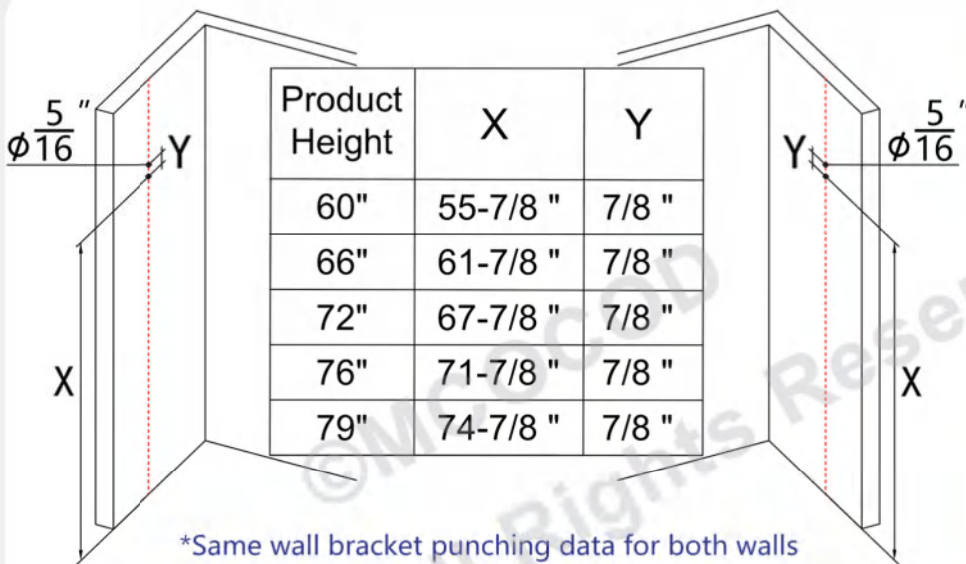


Silicone Gun  
Modified Silane(Silyl) Polymer

# INSTALLATION STEPS

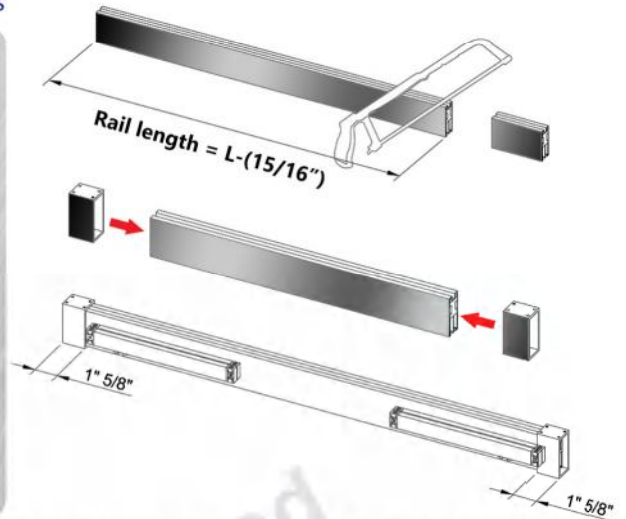
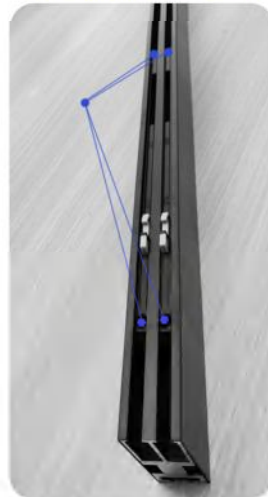
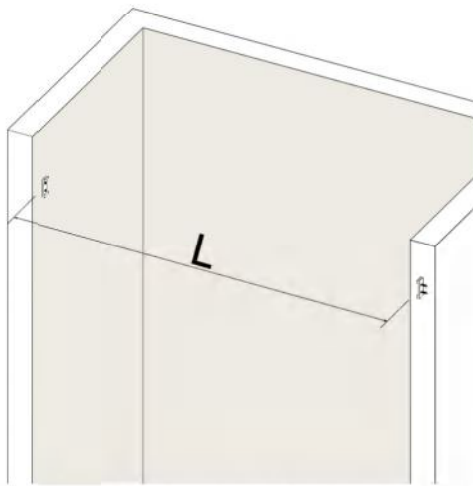


- ① Punch rules: Drill holes should be located on the wall at the vertical side of the threshold. If punch template missing or broken, please refer to step 2 of punch data. No need to select the opening direction for DS13 installation. Please put the punch template vertically close to the wall, the bottom needs to touch threshold. The outside of punch template should be at least 3/8" from the outside of your threshold, use level to confirm the vertical and draw total of four position of the punching points on both side walls. The height of the corresponding points drawn on both walls should be the same.



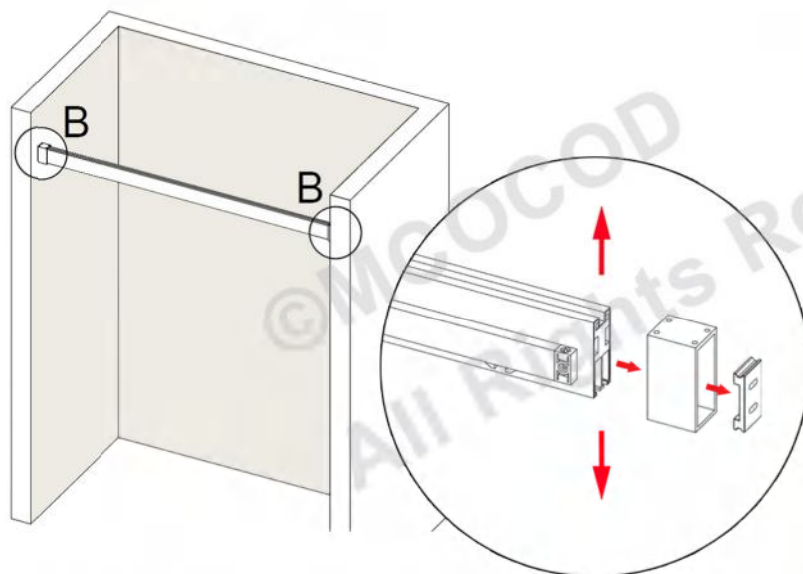
- ② The vertical surface of wall bracket drilling position should not be less than 1-5/8" away from exterior vertical surface of your threshold. Check the drawn points on both side walls against the table data. Drill the holes according to the drawn holes, making sure that there is no offset of the holes. Then install two wall bracket bases on both side walls, use part 14. If your threshold and wall joints are curved, not right angles, please measure the holes using the table data directly. Oval base holes to correct drilling deviations.

\*The soft-close screws

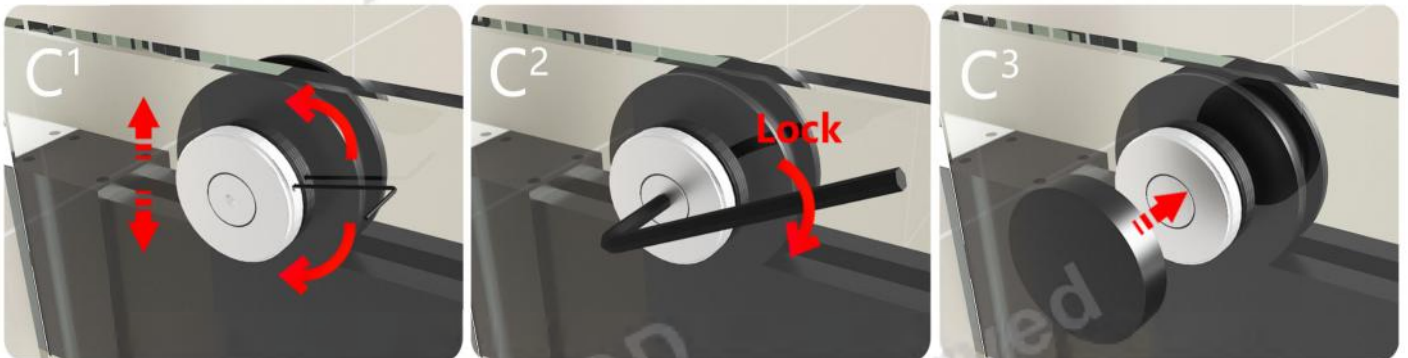


- ③ Please measure shower opening at the top, where guide rail is mounted. The final length of guide rail will be equal to shower top opening width minus 15/16 in. (1 in. also works) then cutting guide rail according to measured data. Please wear protective gear when you cutting, be careful not to damage track finish. **4 soft-closes have been pre-fixed into the guide rail, please adjust the fixed position of soft-closes before cutting to avoid damaging them. and You'd best not to remove soft-closes from the guide rail.** Loosen the fixing screws on both sides of soft-close a little and you can adjust its fixing position. After cutting, re-fix soft-closes in the position as shown. Can be cut several times to match the opening, avoid cutting too short and causing failure. Just cut one side of guide rail.

If you need to stretch the installation width, only adjust the insertion depth of wall brackets and guide rail without cutting. DS13 has MAX installation width stretch of 3/4" for each size. If you purchased Brushed Nickel or Chrome unit, please carefully remove the plastic protective film on the guide rail surface at this time. Do not remove the stainless steel shell from the guide rail, which is part of guide rail.

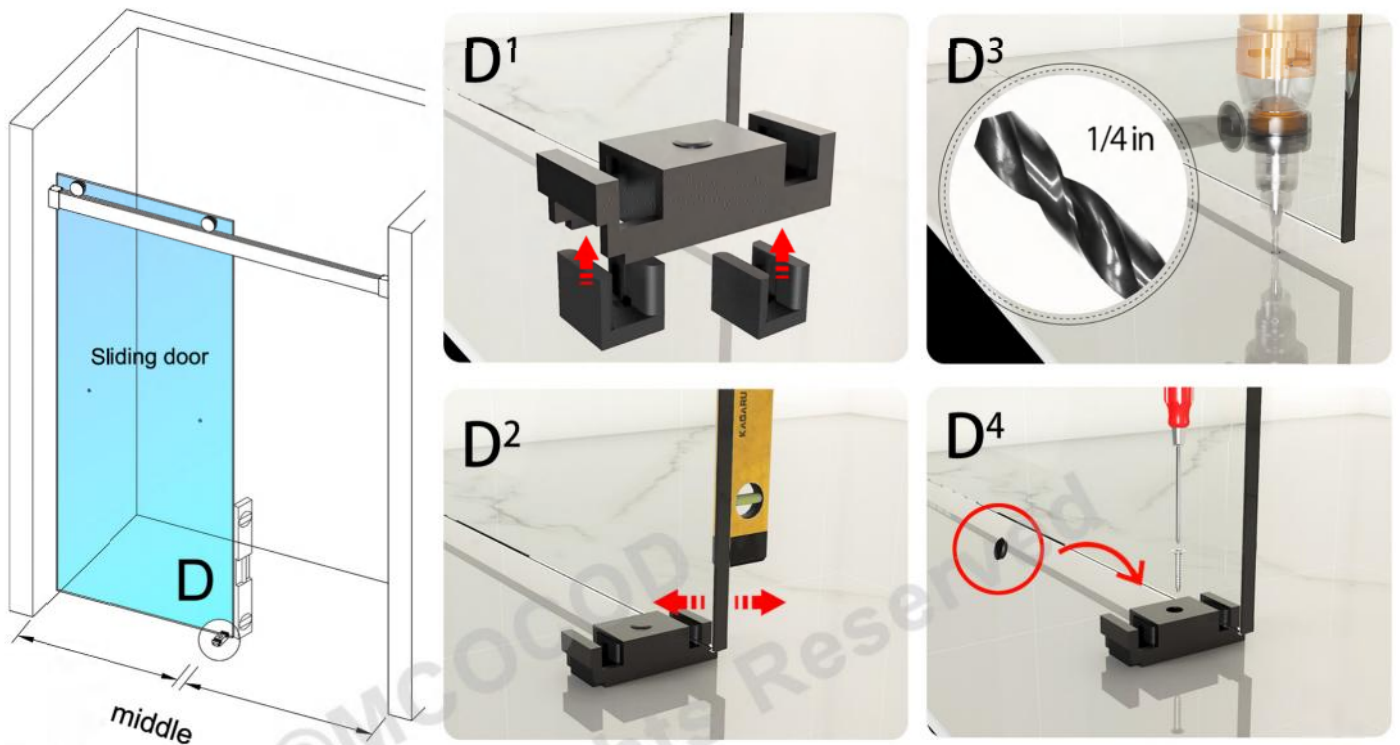


- ④ Loosen the fixing screw at the top of wall bracket connection to avoid blocking the insertion to guide rail, without unscrewing it completely. Place wall bracket connections to the sides of guide rail and lift them to the level of wall bracket base, then push wall bracket connections on both sides to cover wall bracket base. **Please note that guide rail side with two grooves facing downwards as shown.** Finally, tighten the wall bracket screws on both sides to lock guide rail.



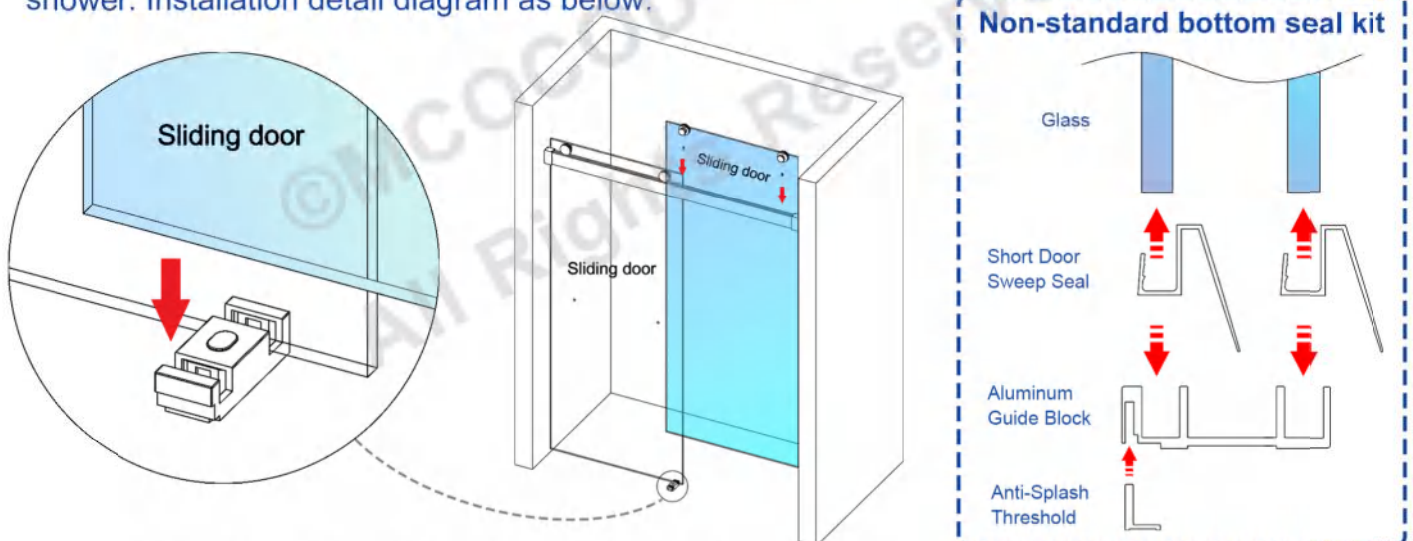
⑤ Installation of inside sliding glass: The two pcs of glass are identical. Unscrew the decorative cover of all rollers and separate rollers with Allen Key. Install the two rollers into the two holes above sliding glass as shown then tighten the set screws, don't miss the washer in the middle. Hang the sliding glass on the inside guide rail, then use Allen Key to loosen the roller screws a little. Use Allen Key to adjust the hole on the side of rollers to adjust level and height of sliding glass, make sure that sliding glass is level and then tighten the fixing screws, tighten the decorative cover of rollers at last. Sliding glass can be allowed to tilt a little to match non-vertical wall, and the remaining offset allows door seal to fill in. For frosted glass, frosted side needs to face outside of your shower, if faces inside, water will reduce the frosting effect a bit.

When you adjust the height of sliding glass, please make sure that the bottom of sliding glass will not touching your threshold and the groove bottom of guide block, to avoid unsmooth sliding.

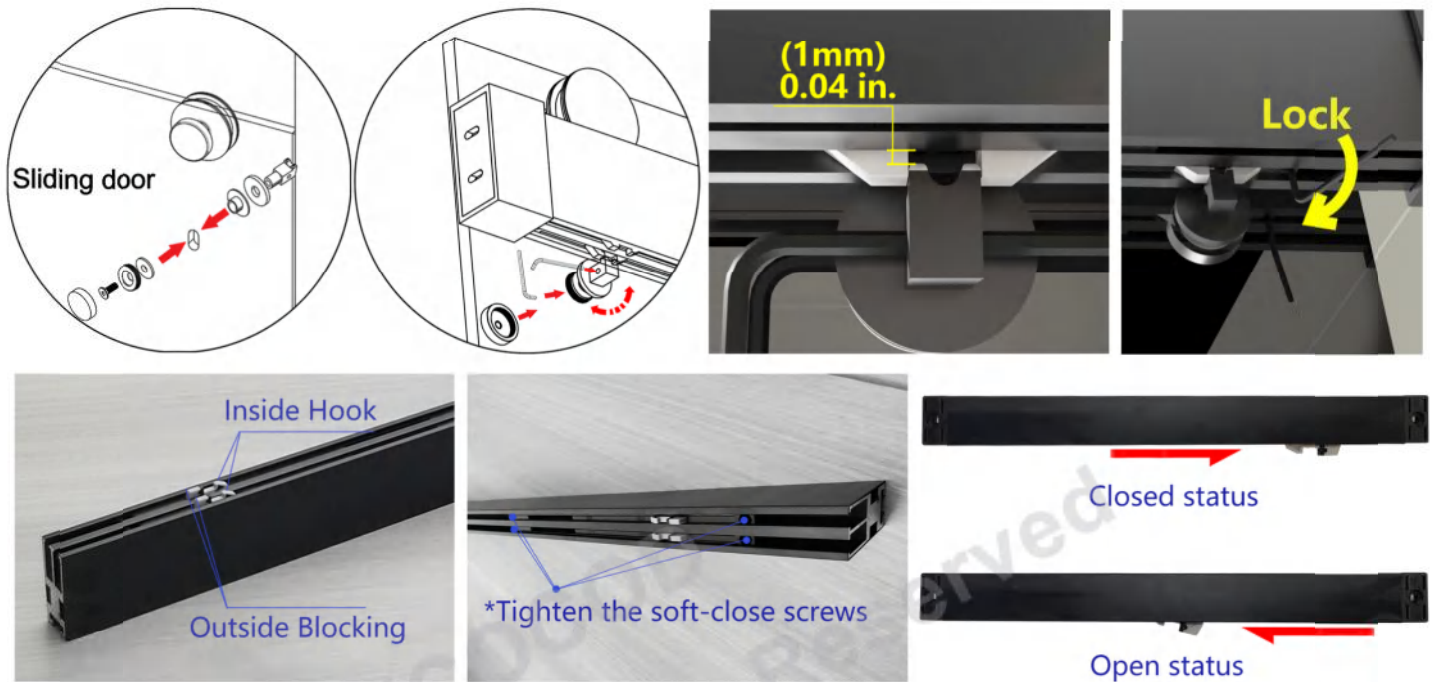


⑥ Installation of Guide Block: Place guide block under sliding glass, centered on the shower. Be careful to keep the side of guide block with the notched side facing out, for subsequent installation of outside sliding glass and anti-splash threshold. Then use a level to make sure sliding glass is vertical and hold glass to ensure safety. After confirming the vertical, draw the drilling point and remove guide block.

Push glass away a little for drilling and hold glass while drilling, or remove glass and place it on cardboard or smooth board, drill hole at last. Install guide block with part 15 as shown, then put on the decorative cover, screw doesn't need to be fully tightened. Please note that the outside of guide block should not extend beyond the outside of your threshold, oval hole for flexible adjustment. If you choose to install the outside door first, both are installed in the same way, please note to keep guide block protruding inward, with the notched side still facing outward. Refer to page 17 for non-standard bottom seal kit installation steps, includes threshold-less shower. Installation detail diagram as below.



⑦ Installation of outside sliding glass: Install the two remaining rollers on another sliding glass. Installation steps is the same as the inner door. Then hang the glass on the outside guide rail. Keep the bottom of glass enters the outside tracks of guide block.



⑧ Soft-close Introduction: The illustration shows the two states of soft-close. The fixed position of soft-close will determine its final closing position range. Before testing soft-close, please make sure that the fixing screws of soft-close and anti-jump knob are tightened. Anti-jump knobs need to be installed on the inside of soft-close. In the open state, soft-close hook can be pushed outward to switch the closed state. In the closed state, you can push inward to switch the open state. (Wear gloves to operate) Do not test soft-close violently.

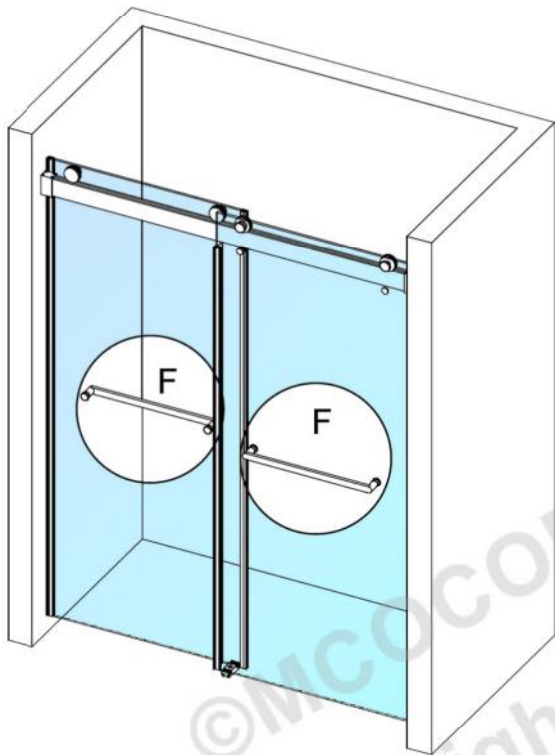
Installation of Anti-jump knob: Make sure that a total of 4 soft-closes at both ends of guide rail have been correctly fixed in the corresponding positions (refer to the illustration in step 3).

Method 1: With the soft-close in the closed status, push glass until anti-jump knob hole reaches below soft-close groove. Use Allen Key to detach anti-jump knob and install it on the bottom of guide rail as shown. Then loosen it a little to adjust it to the height that almost touches the bottom of guide rail, close to but without touching, small gap, the distance is about 0.04 in. (1mm), directly visually to adjust it. Then tighten the fixing screws, keep anti-jump knob's height and top level while tightening it.

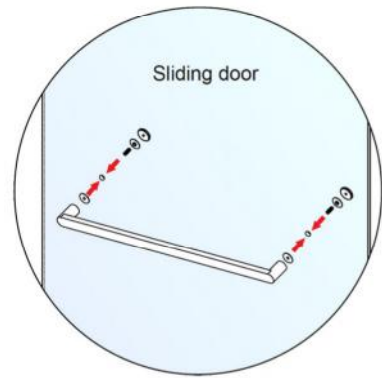
Method 2: Push sliding glass to the middle of shower door, install anti-jump knob according to method 1, near the bottom of guide rail but without contact, then pull all the closed status soft-close inner hooks to the open status. The principle of the two methods is similar, adjust the height of anti-jump knob is key point. Once complete, you can test soft-close.

Soft-close Test: After the fixing screws of soft-close and anti-jump knob are tightened, start soft closing test. If anti-jump knob can easily enter the soft-close groove without noise and no contact with guide rail when closing the door, then anti-jump knob can drive soft-close inner hook to open status and will not spring back when opening the door, it means that this soft-close installation is completed. The anti-jump knob is fixed too high or too low will lead to failure of soft closing. the relevant issues processing method please refer to page 17.

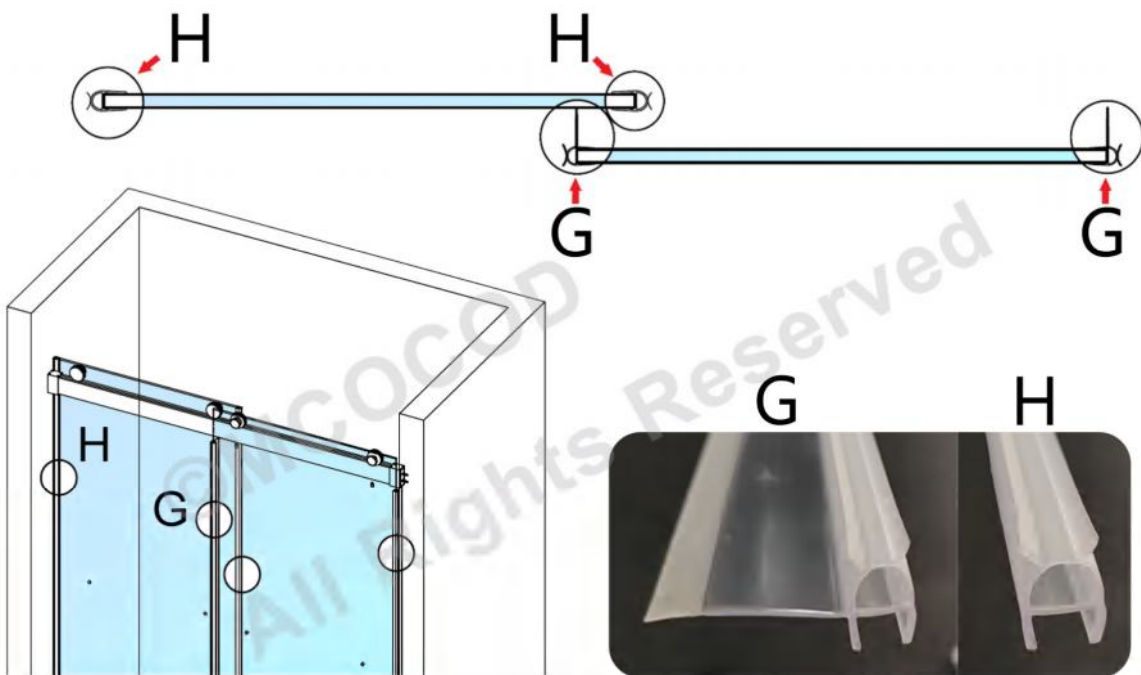
Please opened and closed gently during soft-close test, do not force the door to avoid damage, it may take several times to achieve perfect soft closing status, please make adjustments according to the actual soft closing situation. The installation step of the other three soft-closes is the same, after all the adjustments and testing is completed, tighten all the decorative covers of anti-jump knob, this step is completed!



F



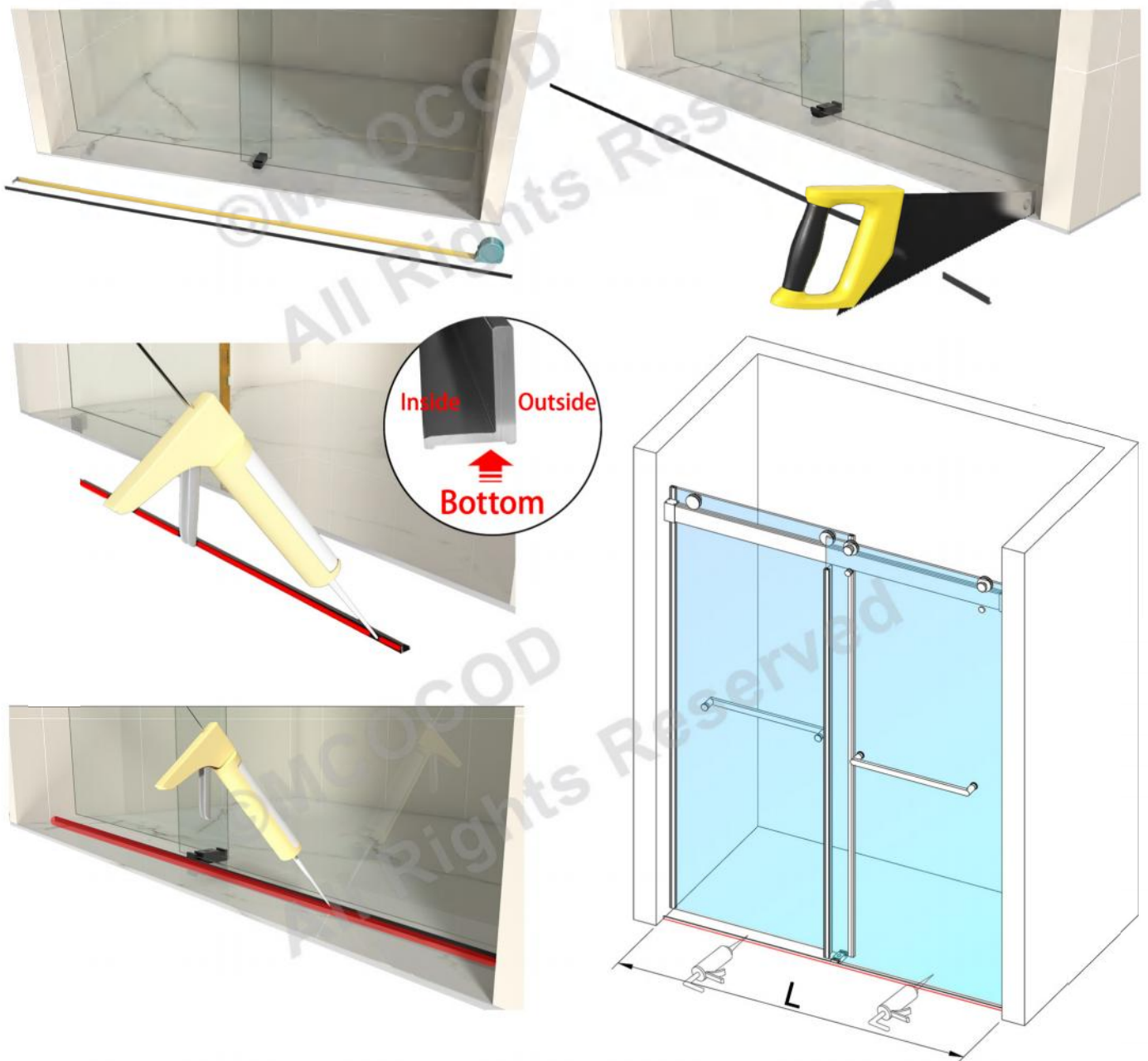
- ⑨ Install handles to the corresponding holes on two doors according to the illustration. Outside door handle protrude outward, inside door handle protrude inward.



- ⑩ Remove all glass corner protections. Install the door seal as illustrated, You can also adjust them to suit your needs. **All door seals should be installed starting from the bottom and working upwards.** Align the notch on the side of door seal and press on the seal bubble area to snap on the sliding glass, wide door seal sweeps need to be oriented towards the center of shower door. If anti-jump knob scratches against wide door seal, **please adjust the height of the door seal or trim the door seal top, the bottom of door seals should not reach your threshold.**

⑪ Cut anti-splash threshold according to the bottom width of your shower opening, do not damage its finish when you cut it. Apply mildew-resistant silicone to the groove side of anti-splash threshold. Make sure guide block notch and anti-splash threshold fit well, anti-splash threshold should not protrude from your threshold, then tighten the guide block set screw. If guide block screw can not be fully tightened, you can use some glue to enhance the solidity.

Check the installation stability and the fixing screws of each part. You can push and pull slowly to test the sliding effect, just don't touch anti-splash threshold. Clean up the garbage, dry the water, stains on glass and hardware with soft cloth. Oil, sweat, etc. remaining on hardware can be removed with a little anhydrous ethanol or cleaner. Avoid sources of ignition and be sure to ventilate when using ethanol. Finally, applying mildew-resistant silicone on the side of anti-splash threshold. Punch template can be discarded. Installation completed!



**Note: Please dry for 24 hours after the mildew-resistant silicone is applied before use.**

## PRODUCT INSPECTION

- 1 Check the level and stability of guide rail.
- 2 Check the fixing screws of rollers, soft-closes, guide block
- 3 Check the sliding door slides smoothly without noise. Door can be locked in closed position when the door closed.
- 4 Proper gap between anti-jump knob and the bottom of guide rail when the door slides.
- 5 Check that all the soft-closes work properly without noise

## SHOWER DOOR MAINTENANCE AND CARE

- 1 **Glass:** To ensure the lifetime of the glass, we recommend clean with soft cloth after each use. Rinse and clean the glass with soft cloth or squeegee to prevent soap, hard water, water stains from building up and corroding the glass. To protect glass surface and coating: Do not use abrasive cleaners or other abrasive cleaning products. Do not use brushes, abrasive sponges, wired brush or other with sharp, rough bristles tool that may scratch the glass surface. You can use some neutral, mild detergent. For clear glass, properly reduce the cleaning agent's frequency of use to prolong easy-clean performance.
- 2 **Hardware:** To ensure a durable finish, wipe and clean the hardware with soft cloth after each use. Priority areas are handles, guide rail and guide block, the rest can be cleaned less frequently depending on the use situation. Cleaning methods are the same as the glass section. In addition, do not use cleaners that contain ammonia, bleach or acids, which may corrode the finish. If accidentally used, rinse the surface ASAP to prevent damage to the finish. After cleaning the finish, wipe dry with soft cloth.  
For oil stains, deposited hard water stains, you can use a little anhydrous ethanol or highly concentrated alcohol to remove them. Please avoid fire source and open the window for ventilation. Regularly inspect door components and clean them promptly.

- 3 Do not let the shower water directly wash the bottom of sliding door and glass body, otherwise it may result in water leaks from the bottom of sliding door.
- 4 Although DS13 has soft-close, to prolong its lifetime, gently open and close the door is required, frequent violently open and close the door may cause it damaged.
- 5 Regular Inspection: In order to prolong lifetime of shower door, please check the glass and all hardware regularly for shifting/damage/noisy sliding/screws loose, to void incorrect installation cause damage beyond control. If you have any questions, please contact us.

## **TROUBLESHOOTING GUIDE AND NOTE**

If not installed correctly, the following issues may arise.

### **Water leaks in door overlap areas**

Solution: Swap all the two wide door seals to the middle when you showering, so that it will not leaks.

### **Water leaks in door bottom area**

Please confirm anti-splash threshold silicone seals well without leaking, then following adjustment may need to be done.

1. Adjust the angle of the shower head, avoid the shower water directly wash the bottom of sliding glass and glass body.
2. Your can swap the left and right position of the two doors if it's possible.
3. After completing steps 1 and 2, if it still leaks you can adjust top rollers to reduce the height of sliding glass a little. Complete these steps would solve it, if still leak you can install Alternate Door Bottom Seal Kit or contact us.

Before adjusting the height and level of sliding glass, please adjust the height of Anti-jump Knobs to avoid affecting the adjustment of rollers. Adjustments completed and then restore Anti-jump Knobs.

## FAQ About Soft-close and Anti-jump Knob Adjustment

If soft-closes and anti-jump knobs are not adjusted correctly, the following issues may result:

Q1: The door is closing with large gap between the wall and sliding door, or the door is fully closed just as soft-close system begins to work.

A1: This issue is due to incorrect soft-close fixing position. Loosen the soft-close fixing screws to adjust the position to 1-5/8 in. from the wall, this position needs to be adjusted according to the actual soft closing effect. Soft-close set screws need to be retightened before test.

Q2: If the height of anti-jump knob is not adjusted to proper height, the following issues may arise: When its height is too high, it will lead to anti-jump knob scratching with the bottom of guide rail and finish would be damaged. When its height is too low it may lead to soft-close spring back to the closed status

A2: Loosen anti-jump knob fixing screws, adjust to proper height and re-fix it. At this point, there is a small gap but no contact with the bottom of guide rail. If soft-close at the closed status, you can pull slowly soft-close inner hook towards the door center and convert to the open status. Adjustment completed, retest soft-close.

In addition, if soft-close fixing screws are not tightened before test, or not check them regularly, soft-close body may be displaced and will not work, requiring repositioning of the fixing screws.

## ALTERNATE DOOR BOTTOM SEAL KIT GUIDE

Includes: 1 aluminum guide block and 2 short bottom door sweeps for shower with higher sealing requirements or threshold-less shower

General Installation: Aluminum guide block is installed in the same way as standard stainless steel guide block, with the notched side facing outward. Guide block needs to be stuck on the anti-splash threshold first and then installed together. Remove stainless steel guide block if you have already installed it. The short door sweep needs to be installed at the bottom of sliding door with the tail sweep facing the inside of your shower. Installation detail diagram on page 11.

Threshold-less shower: Same method as general installation, except that there is no need to install anti-splash threshold. This is suitable for people with reduced mobility, where a little of water will flow out due to the lack of anti-splash threshold. [These two installation methods are non-standard installation methods, and we recommend that regular bathroom be installed in standard configuration.](#)

## Info about Glass:

**CLEAR:** treated with Enduro Shield.on both sides  
**FROSTED:** one side Acid Etched Frosted, other side  
Clear, no Enduro Shield. coating

Low-iron Tempered Safety Glass  
16 CFR 1201  
CAN/CGSB 12.1-2017  
ANSI Z97.1-2015  
3/8"UA SGCC

The black/white lettering on the corner of sliding glass  
is glass info, which is mandatory printing. Thank you!

## Customer Service:

Mon-Fri **470-926-8618**  
8:30 AM-5:30 PM PST:  
Mon-Sun **321-946-6293**  
5:30 AM-11:30 PM EST: **manager10@mcocod.com**

## Installation Video:

<https://youtu.be/vzh3g5pOJjc>

You can also search for "MCOCOD DS13" on YouTube  
and find the video posted by "MCOCOD Shower Door"

## Return Address:

- 4800 Little John St.  
Baldwin Park, CA 91706

**Please contact our customer service  
to get replacement or confirm the  
return steps before returning.**