


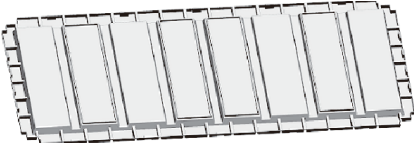



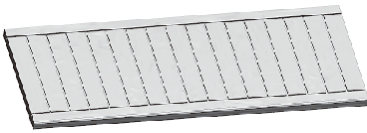





ASSEMBLY INSTRUCTIONS

- 1-Piece
Storage Box



Parts

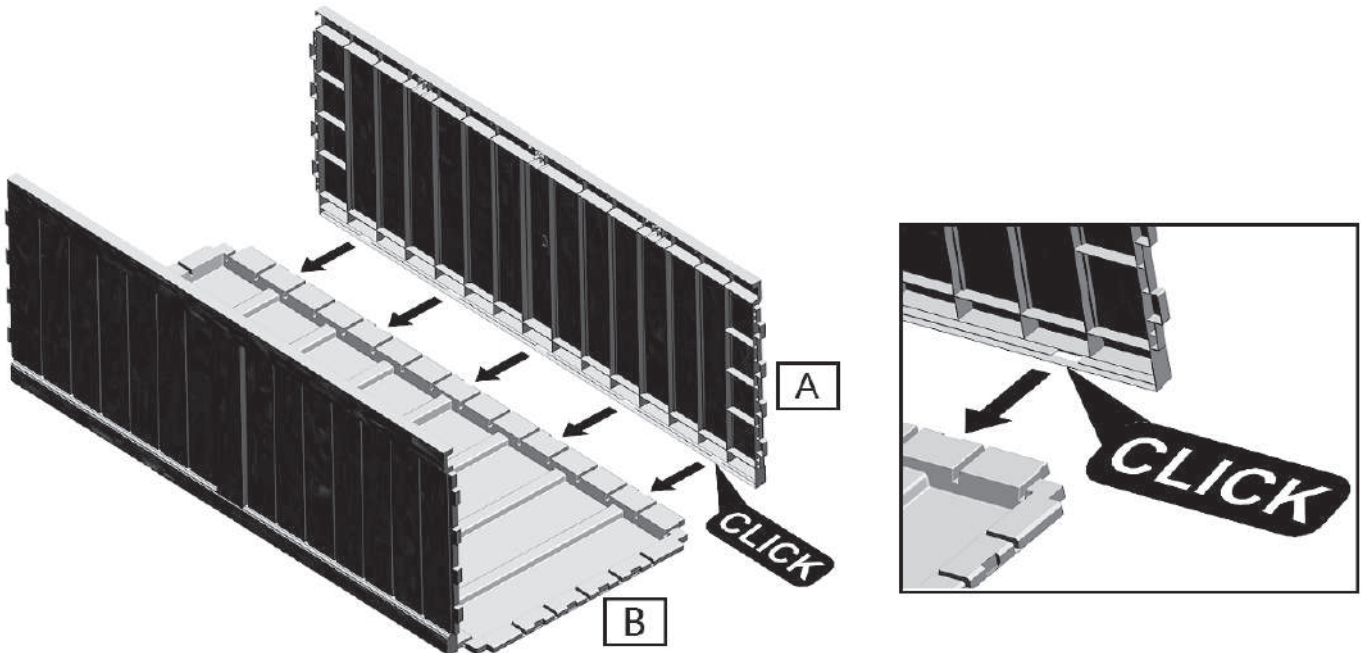
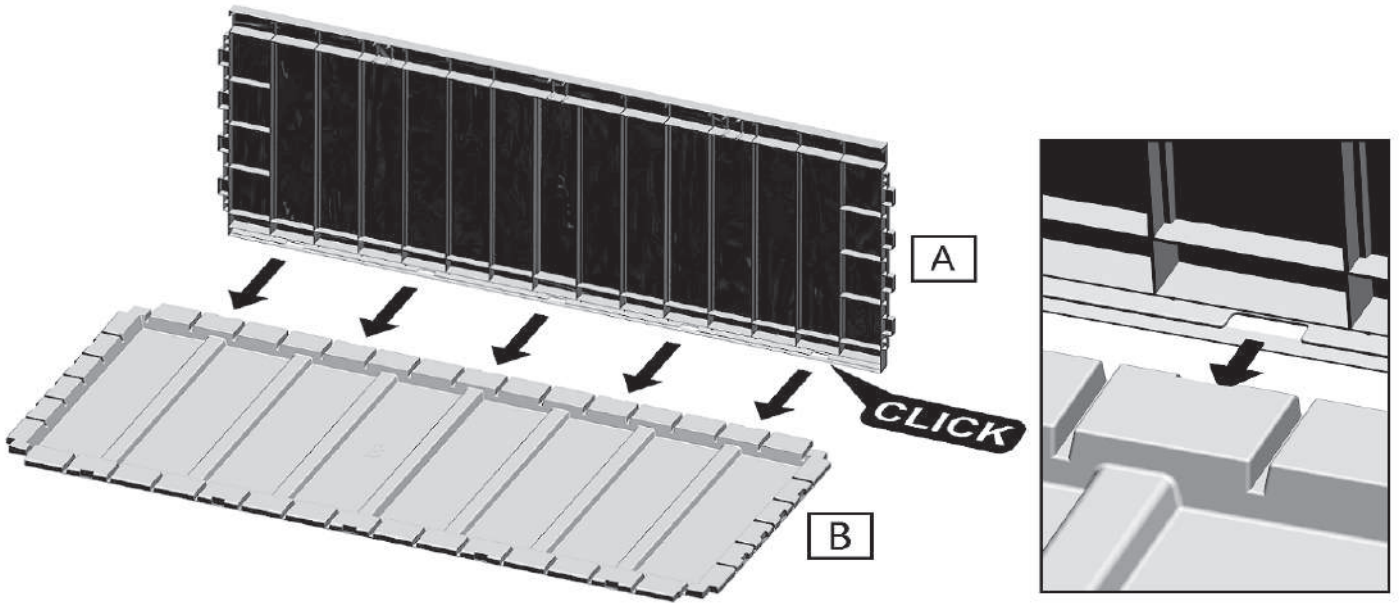
Check and make sure you get the components on the list, contact us for any missing

A	 Front box piece	2PCS	B	 Bottom plate	1PC			
C	 Side box piece	2PCS	D	 iron tube	3PCS			
H	 Hardware bagv	2PCS	J	 cover	1PC			
G	 Connector G	1PC	I	 Connector I	1PC			
E	 hinge	3PCS	L	 Self-tapping screws	39PCS	T	 card	7PCS

Assembly steps

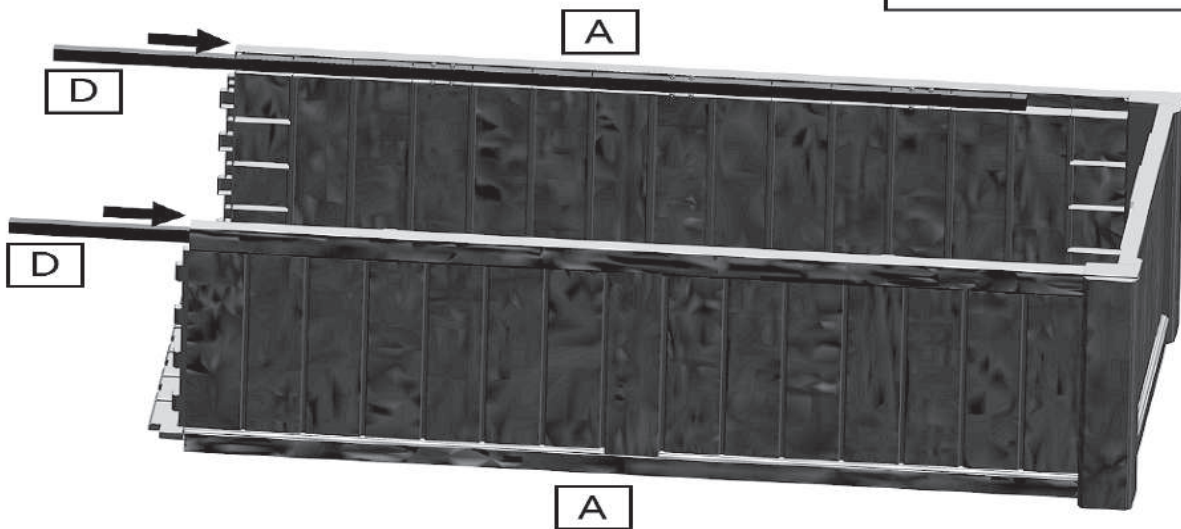
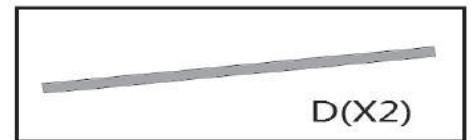
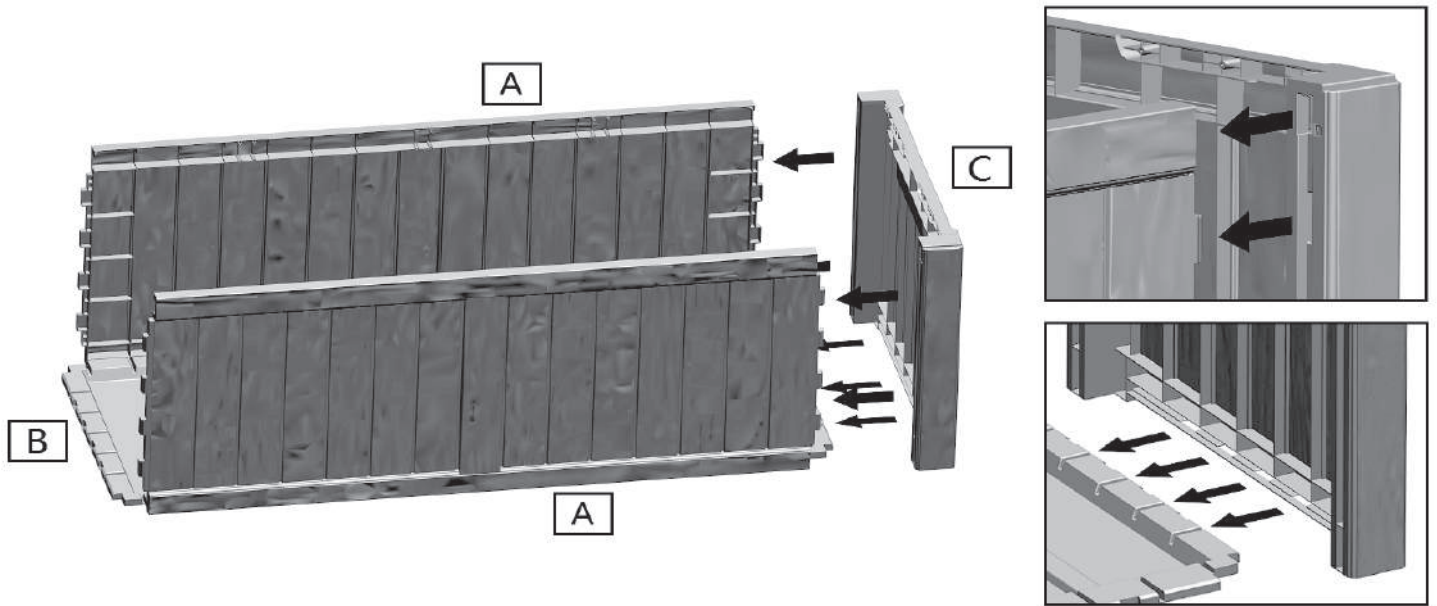
Storage Box Assembly steps

Step 1



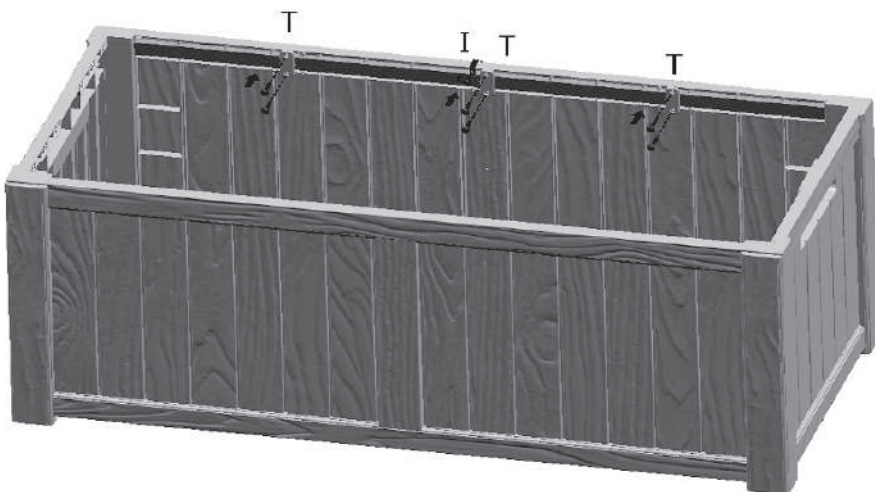
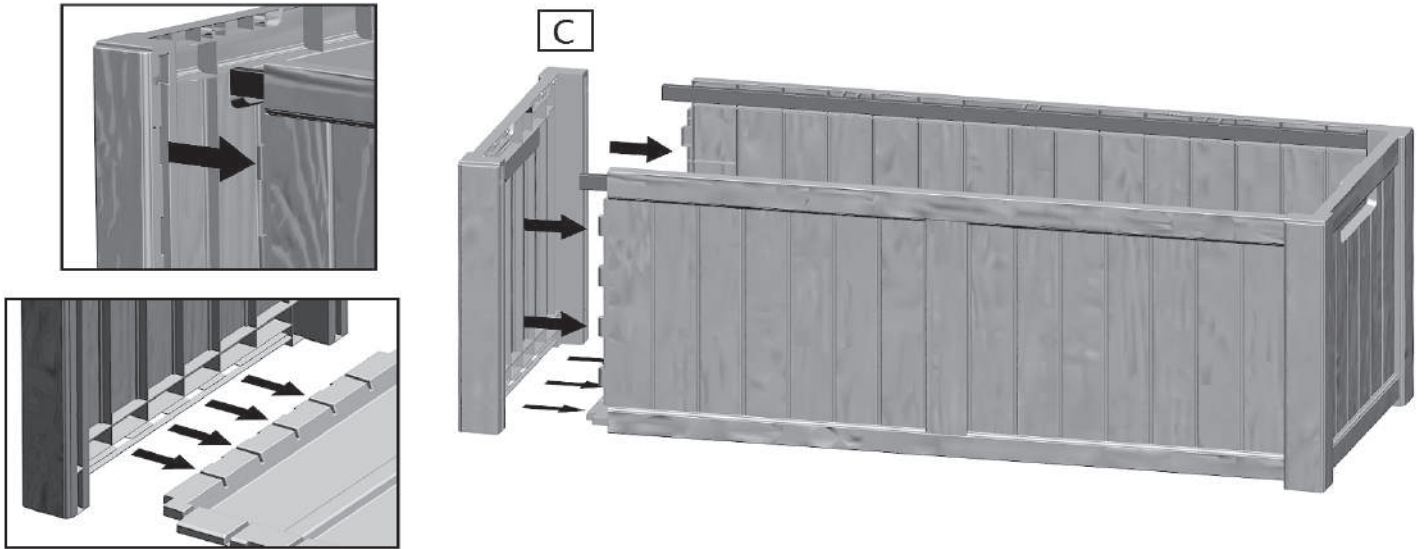
Assembly steps

Step 2



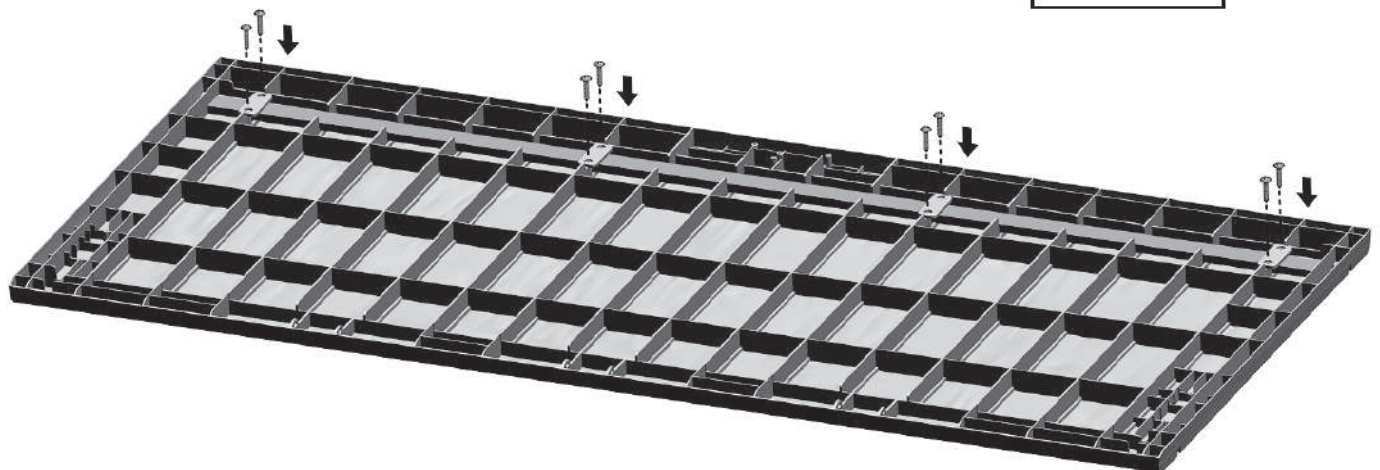
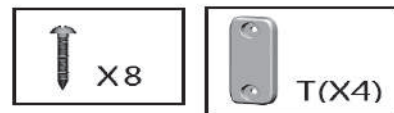
Assembly steps

Step 3



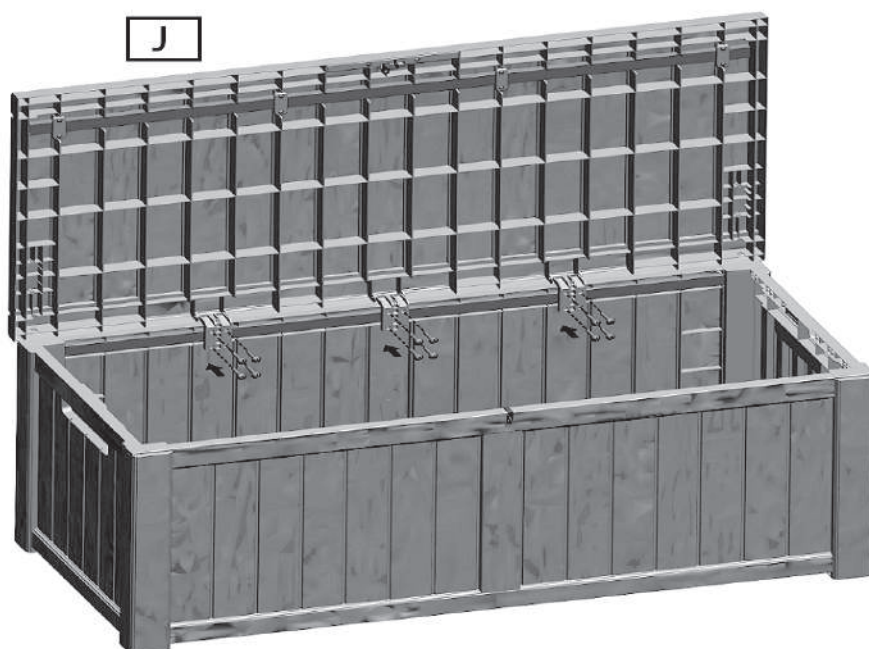
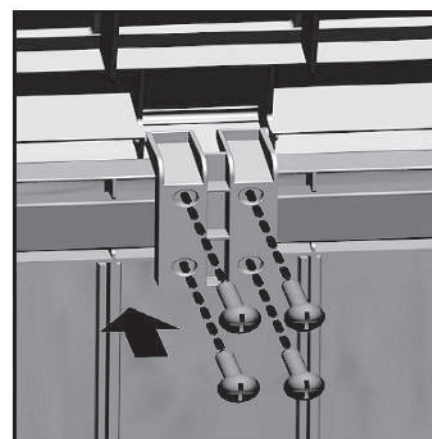
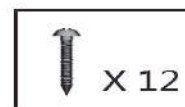
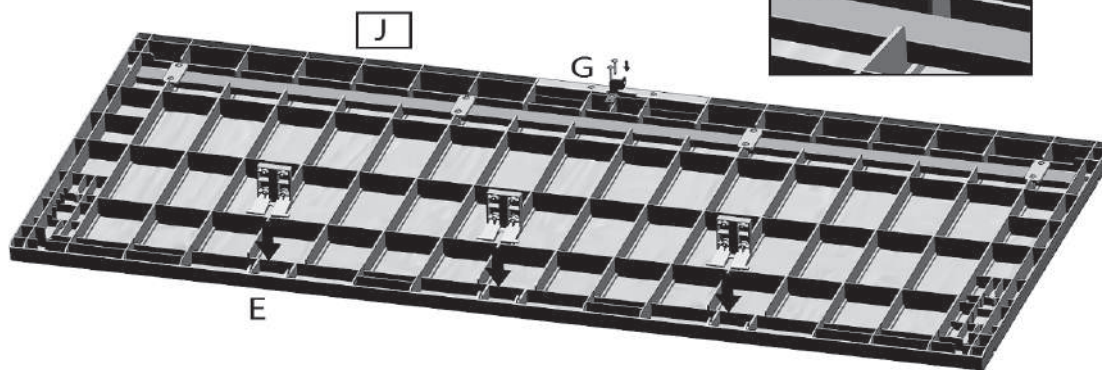
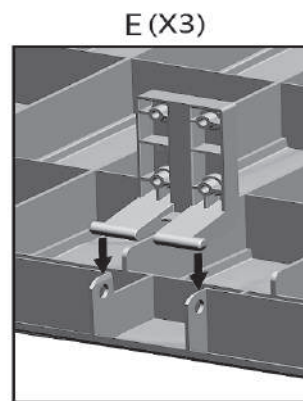
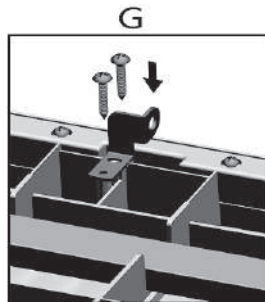
Assembly steps

Step 4



Assembly steps

Step 5



Assembly steps

Step 6

