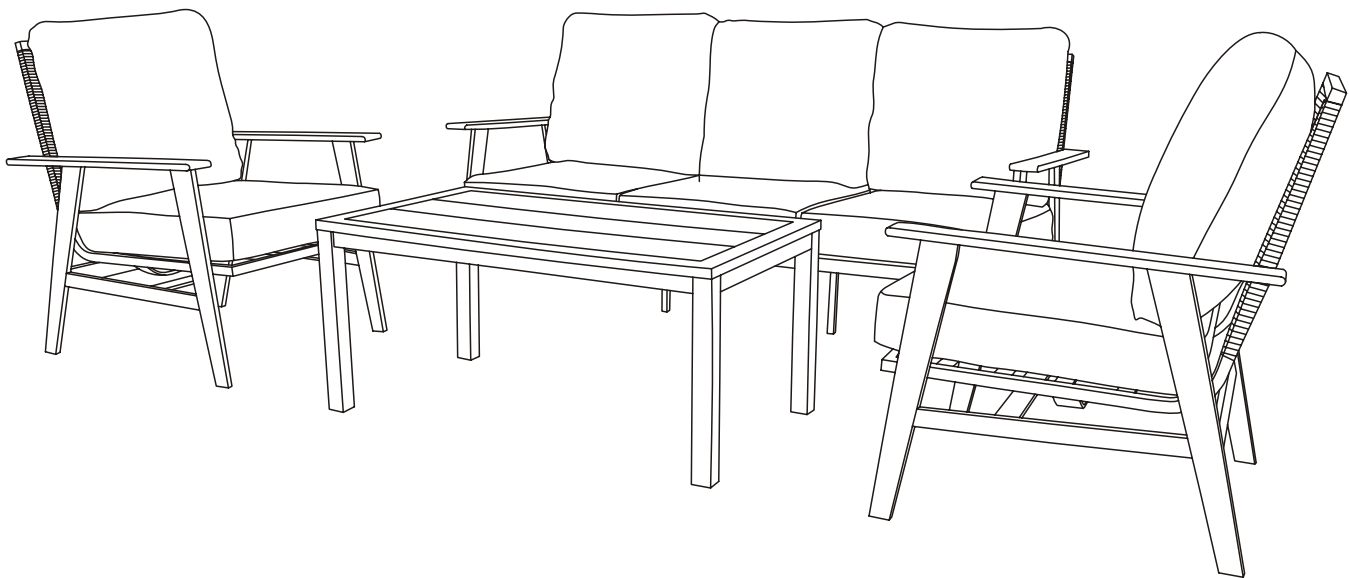


Item #1000 000 000
Model #LG1177-4PC

HAMPTON BAY®

USE AND CARE GUIDE

Willowbrook 4-Piece Conversation Set - Shadow Gray



**Questions, problems, missing parts? Before returning to the store,
call Hampton Bay Customer Service
8 a.m. – 7 p.m., EST, Monday – Friday, 9 a.m. – 6 p.m., EST, Saturday**

1-855-HD-HAMPTON

HAMPTONBAY.COM

THANK YOU

We appreciate the trust and confidence you have placed in Hampton Bay through the purchase of this conversation set. We strive to continually create quality products designed to enhance your home. Visit us online to see our full line of products available for your home improvement needs. Thank you for choosing Hampton Bay!

Table of Contents

| | | | |
|---------------------------------------|---|----------------------------|----|
| Table of Contents..... | 2 | Hardware Included..... | 3 |
| Important Safety Instruction..... | 2 | Sofa Package Content..... | 5 |
| Save These Instructions..... | 2 | Chair Package Content..... | 6 |
| Read All Instructions Before Use..... | 2 | Table Package Content..... | 7 |
| Warranty..... | 3 | Sofa Assembly..... | 8 |
| What is Covered..... | 3 | Chair Assembly..... | 12 |
| What is not Covered..... | 3 | Table Assembly..... | 16 |
| Pre-Assembly..... | 3 | Care and Cleaning..... | 19 |
| Planning Assembly..... | 3 | | |

Important Safety Instructions

SAVE THESE INSTRUCTIONS



WARNING: This conversation set was made for the explicit purpose of providing outdoor functions and is not to be used as a toy. This product is intended for normal outdoor use; the manufacturer recommends storing and / or covering this set when any formidable. / severe weather is approaching.



WARNING: Do not locate this product near open flames. Do not use this product as a support. Do not shake, lean or climb on the product. Children under the age of 10, near the product, should be supervised by a competent adult at all times. This product is NOT intended for commercial use and will void the warranty.

READ ALL INSTRUCTIONS BEFORE USE

To reduce the risk of injury to persons:

1. Close supervision is necessary when this product is used by or near children, or disabled persons, if applicable.
2. Use this product only for its intended use as described in these instructions. Do not use attachments not recommended by the manufacturer.
3. Do not move the chair or table while they are occupied. Failure to obey this caution could result in injury.
4. Do not rock in the chair or table as you may fall and cause serious injury.
5. Please keep children out of the assembly area before assembly.



WARNING: Do not place heavy objects on the chair or table top.



WARNING: Weight limit is 250 lbs (113.39kg) for each seat.



CAUTION: Do not locate the product near any heat source.



WARNING: This conversation set is heavy, and may require two adults for safe assembly.

Warranty

3 YEAR FRAME AND 3 YEAR FABRIC LIMITED WARRANTY

WHAT IS COVERED

We warrant the frames to be free of manufacturing defects to the original purchaser for three years, and a three year limited warranty for the fabric.

WHAT IS NOT COVERED

It remains the customer's responsibility for freight and packaging charges to and from our service center. This warranty does not cover commercial use, hardware, acts of nature, fire, freezing and abusive use. In addition, purchased parts are not covered under this warranty. We reserve the right to make substitutions with similar merchandise, if the model in question is no longer in production.

Contact the Customer Service Team at 1-855-HD-HAMPTON or visit www.Hamptonbay.com.

Pre-Assembly

PLANNING ASSEMBLY

Read all instructions before assembly.

To avoid damaging this product, assemble it on a soft, non-abrasive surface such as carpet or cardboard.

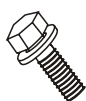


NOTE: More than one person may be required to assemble this product.

HARDWARE INCLUDED



NOTE: Hardware not shown to actual size.



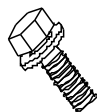
AA



BB



CC



DD



EE



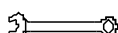
FF



GG



HH



II



JJ

Pre-Assembly(continued)

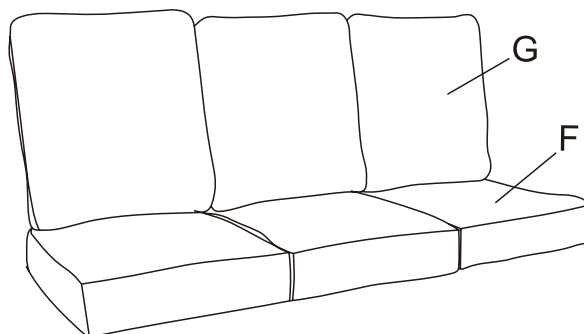
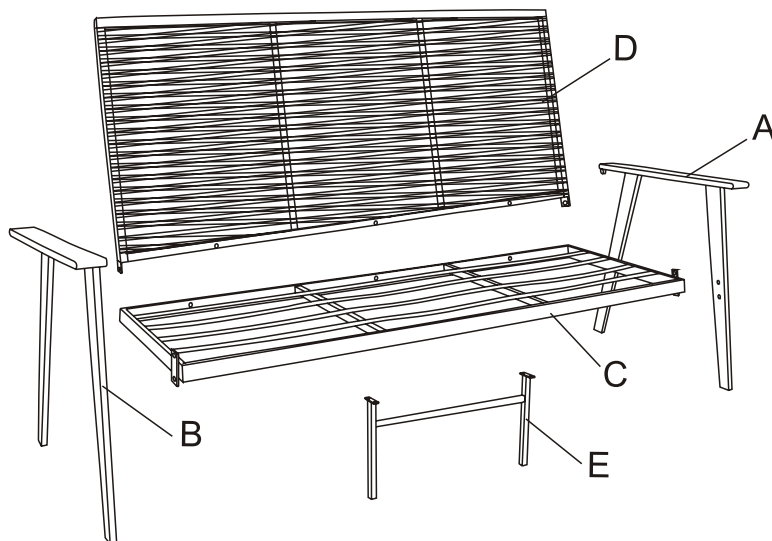
| Part | Description | Quantity |
|------|---|----------|
| AA | Combination Bolt (1/4 in. x 0.787 in. L + 15 Φ x7 Φ x1.2T) | 26+2 |
| BB | Combination Bolt (1/4 in. x 1.181 in. L + 15 Φ x7 Φ x1.2T) | 9+2 |
| CC | Plastic Bolt Cap (1/4 in.) | 35+4 |
| DD | Combination Bolt (5/16 in. x1 .378 in. L + 22 Φ x8.5 Φ x3T) | 8+2 |
| EE | Washer (22 Φ x8.5 Φ x3T) | 16+4 |
| FF | Nut (5/16 in.) | 16+4 |
| GG | Plastic Bolt Cap (5/16 in.) | 16+4 |
| HH | Combination Bolt (5/16 in. x1 .181 in. L + 22 Φ x8.5 Φ x3T) | 8+2 |
| II | Wrench (5/16 in.) | 2 |
| JJ | Box Wrench (1/4 in.) | 1 |

Pre-Assembly (continued)

SOFA PACKAGE CONTENTS



IMPORTANT: DO not fully tighten bolts/screws until all pieces are loosely assembled.



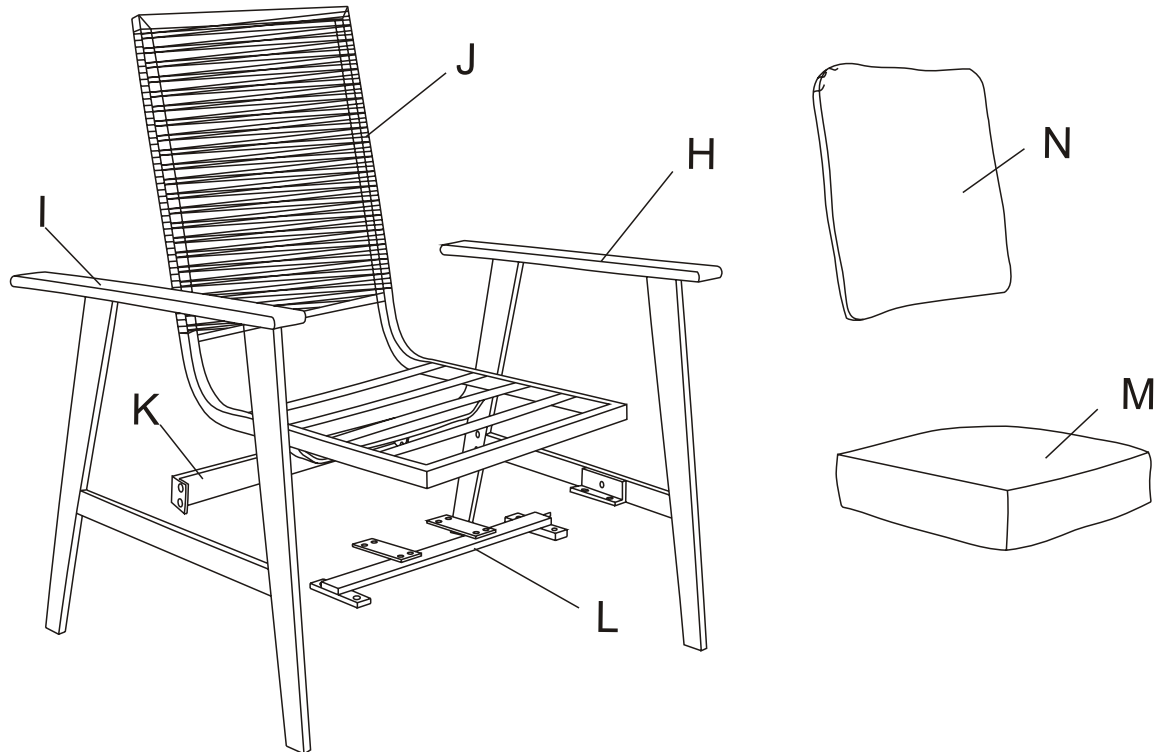
| Part | Description | Quantity |
|------|--------------|----------|
| A | Left arm | 1 |
| B | Right arm | 1 |
| C | Seat panel | 1 |
| D | Back panel | 1 |
| E | Middle leg | 1 |
| F | Seat cushion | 3 |
| G | Back cushion | 3 |

Pre-Assembly (continued)

CHIAR PACKAGE CONTENTS



IMPORTANT: DO not fully tighten bolts/screws until all pieces are loosely assembled.



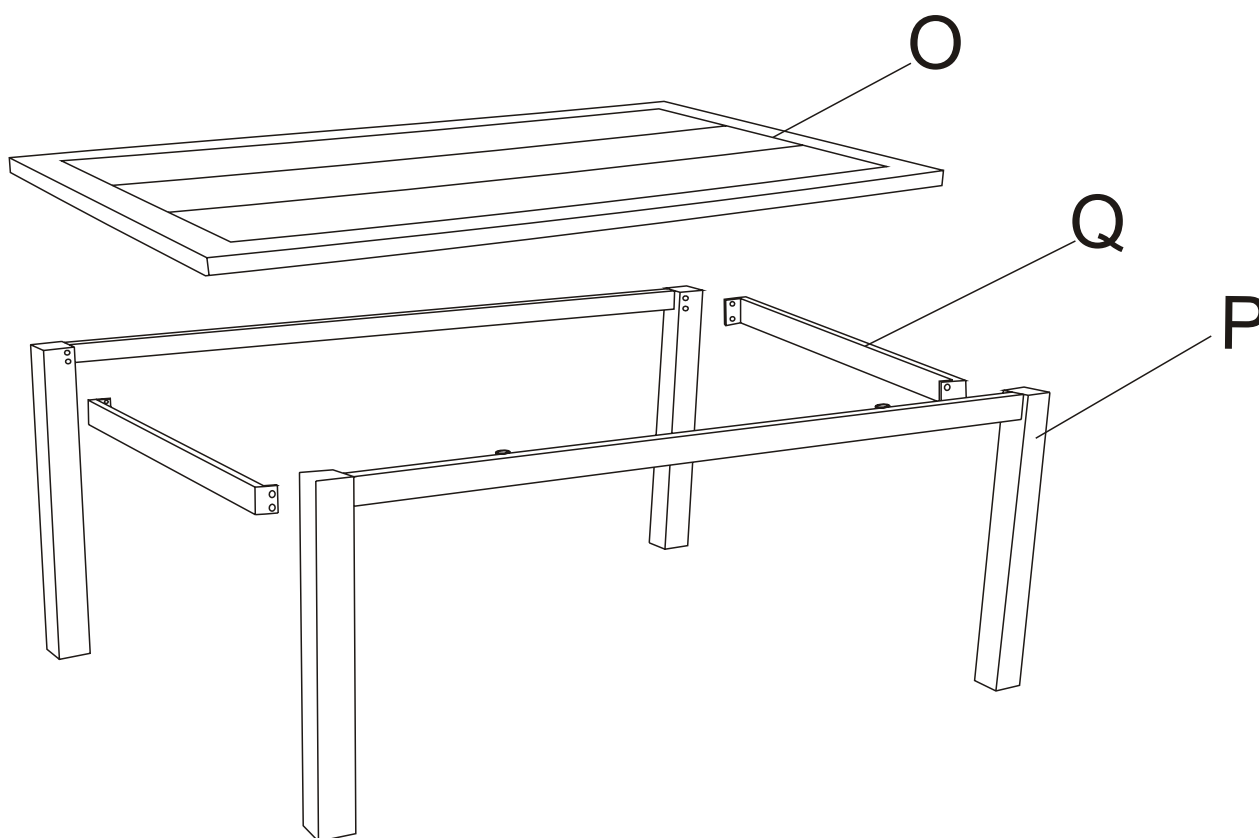
| Part | Description | Quantity |
|------|--------------|----------|
| H | Left arm | 2 |
| I | Right arm | 2 |
| J | Seat frame | 2 |
| K | Cross bar | 2 |
| L | Stem bracket | 2 |
| M | Seat cushion | 2 |
| N | Back cushion | 2 |

Pre-Assembly (continued)

TABLE PACKAGE CONTENTS



IMPORTANT: DO not fully tighten bolts/screws until all pieces are loosely assembled.



| Part | Description | Quantity |
|------|-------------|----------|
| O | Table top | 1 |
| P | Table leg | 2 |
| Q | Cross bar | 2 |

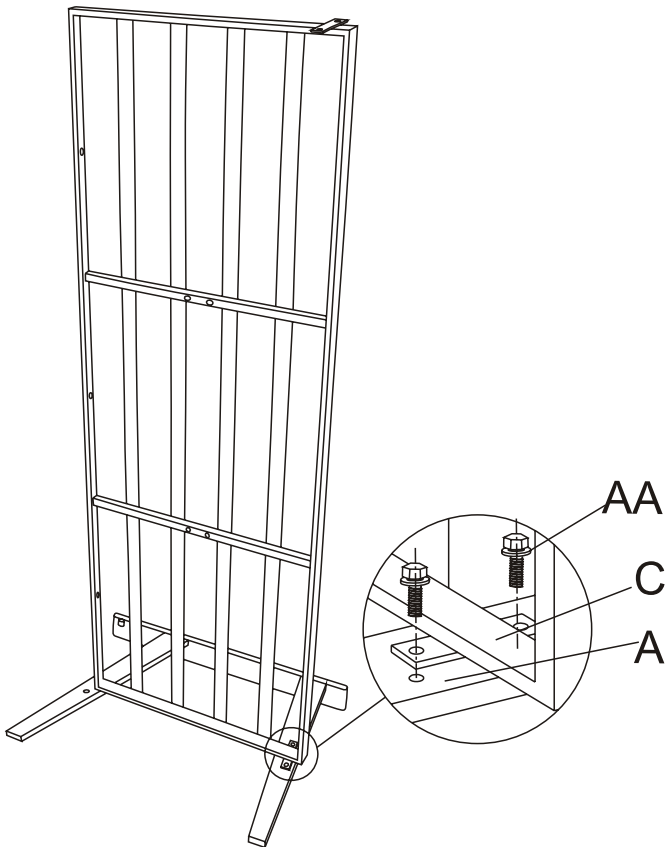
Sofa Assembly

1 ATTACHING THE LEFT ARM TO THE SEAT PANEL

- Attach the left arm (A) to the seat panel (C) using combination bolts (AA).



NOTE: Please ensure all the bolts are assembled correctly and use the box wrench (JJ) to tighten. Do not fully tighten bolts/screws until all pieces are loosely assembled. Add corresponding plastic bolt caps (CC) after final assembly is finished.

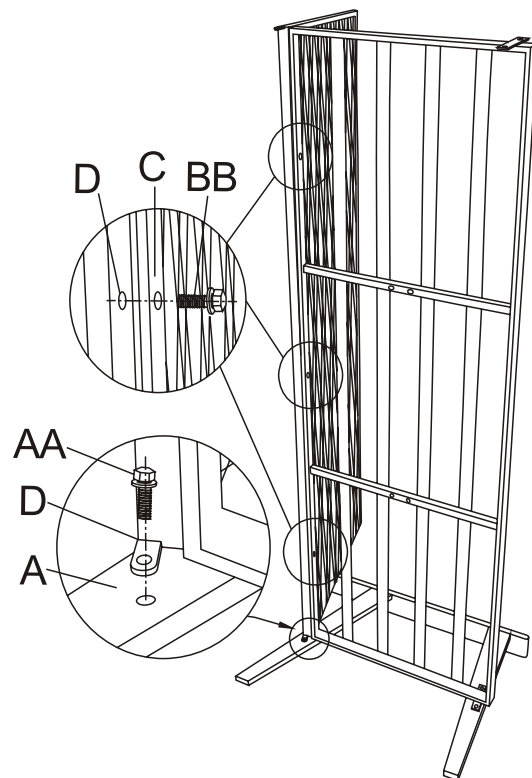


2 ATTACHING THE BACK PANEL TO THE LEFT ARM AND THE SEAT PANEL

- Attach the back panel (D) to the left arm (A) using combination bolt (AA).
- Attach the back panel (D) to the seat panel (C) using combination bolts (BB).



NOTE: Please ensure all the bolts are assembled correctly and use the box wrench (JJ) to tighten. Do not fully tighten bolts/screws until all pieces are loosely assembled. Add corresponding plastic bolt caps (CC) after final assembly is finished.



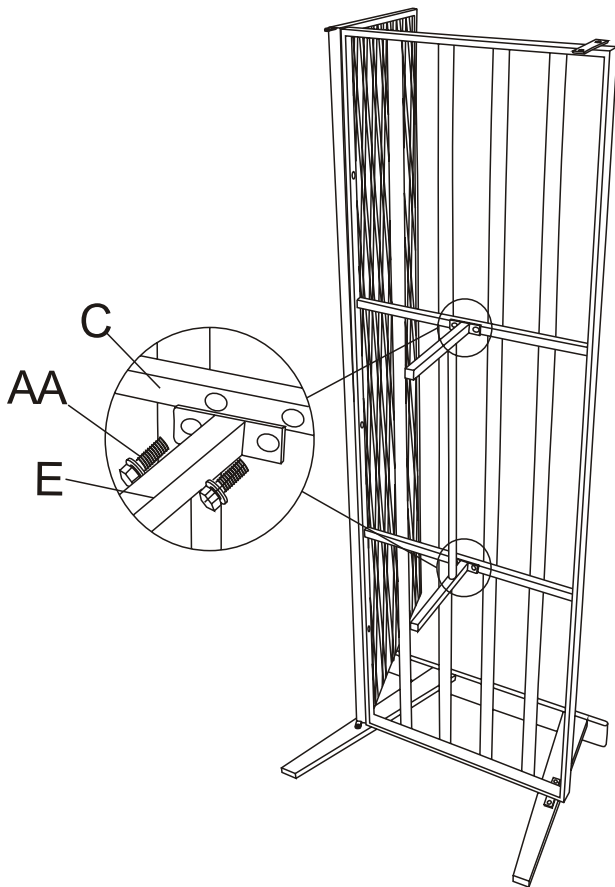
Sofa Assembly (continued)

3 ATTACHING THE MIDDLE LEG TO THE SEAT PANEL

- Attach the middle leg (E) to the seat panel (C) using combination bolts (AA)



NOTE: Please ensure all the bolts are assembled correctly and use the box wrench (JJ) to tighten. Do not fully tighten bolts/screws until all pieces are loosely assembled. Add corresponding plastic bolt caps (CC) after final assembly is finished.

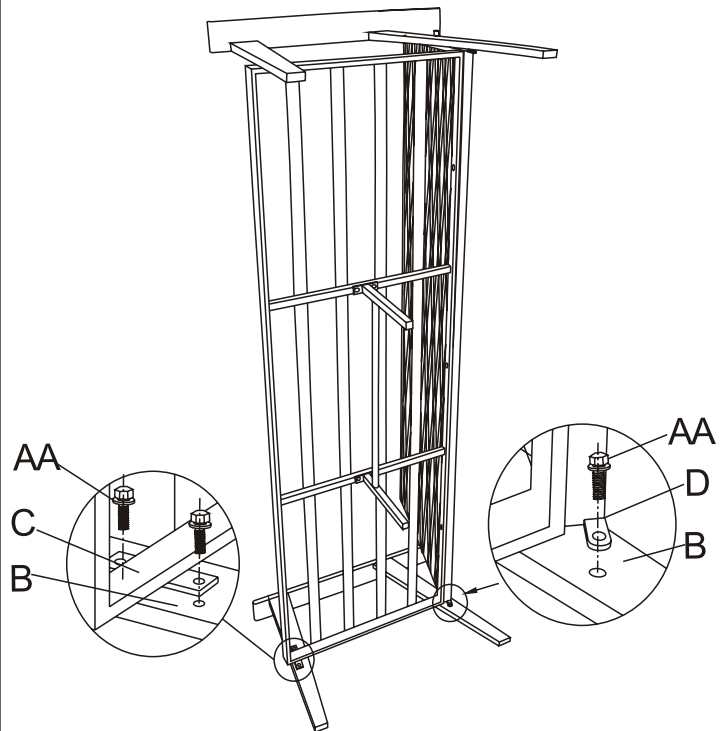


4 ATTACHING THE RIGHT ARM TO THE SEAT PANEL AND THE BACK PANEL

- Attach the right arm (B) to the seat panel (C) using combination bolts (AA).
- Attach the right arm (B) to the back panel (D) using combination bolt (AA).




NOTE: Please ensure all the bolts are assembled correctly and use the box wrench (JJ) to tighten. Do not fully tighten bolts/screws until all pieces are loosely assembled. Add corresponding plastic bolt caps (CC) after final assembly is finished.

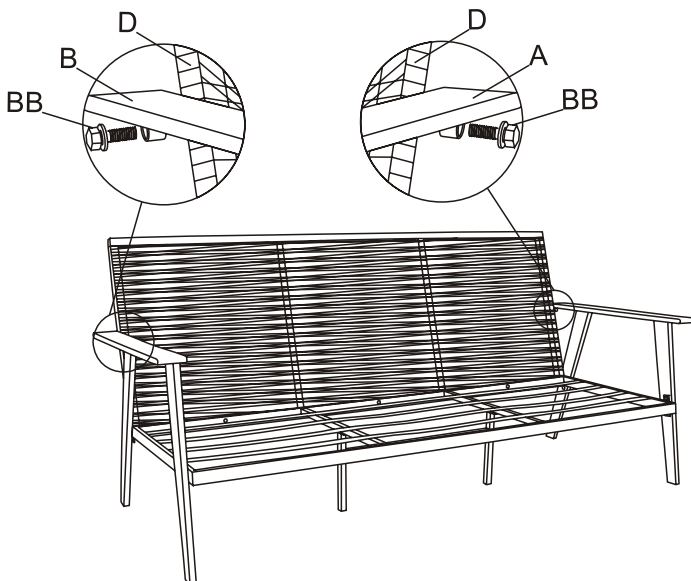


Sofa Assembly (continued)

5 ATTACHING THE BACK PANEL TO THE RIGHT ARM AND LEFT ARM

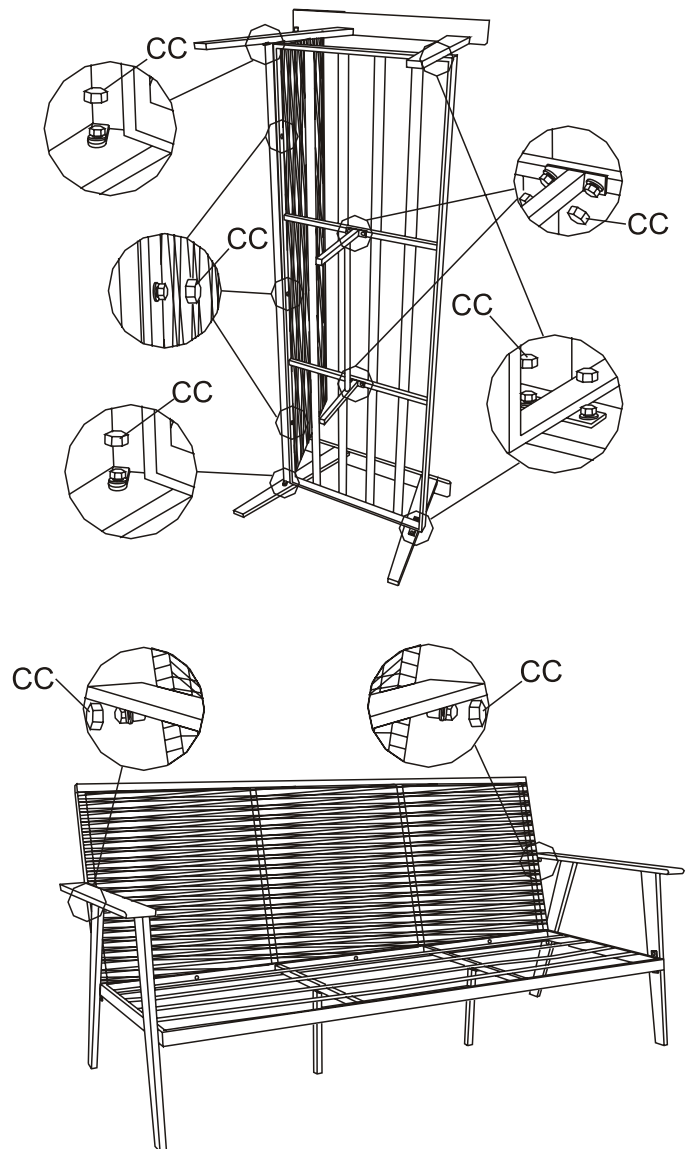
- Attach the back panel (D) to the right arm (B) using combination bolt (BB).
- Attach the back panel (D) to the left arm (A) using combination bolt (BB).

 **NOTE:** Please ensure all the bolts are assembled correctly and use the box wrench (JJ) to tighten. Do not fully tighten bolts/screws until all pieces are loosely assembled. Add corresponding plastic bolt caps (CC) after final assembly is finished.



6 TIGHTENING THE BOLTS AND ADDING THE BOLT CAPS

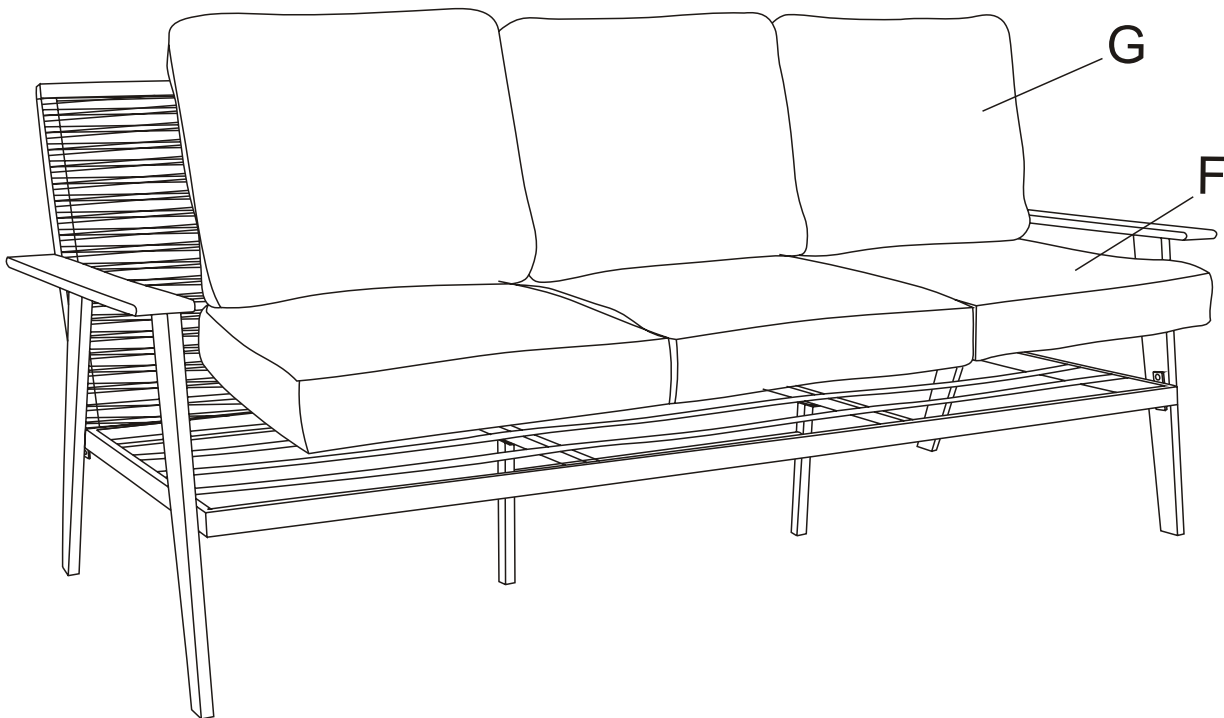
- Once all of the bolts are in place, fully tighten the bolts using the box wrench (JJ).
- Install the bolt caps (CC) to every bolt.



Sofa Assembly (continued)

7 ADDING THE CUSHIONS

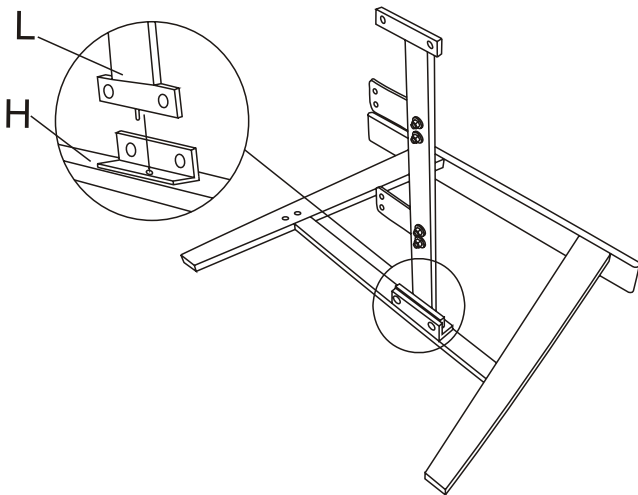
- Place seat cushion (F) and back cushion (G) on the chair.
- Ensure all connections are secure before use.



Chair Assembly

1 INSERTING THE STEEL BAR ON THE STEM BRACKET TO THE LEFT ARM

- Insert the steel bar on the stem bracket (L) to the left arm (H).

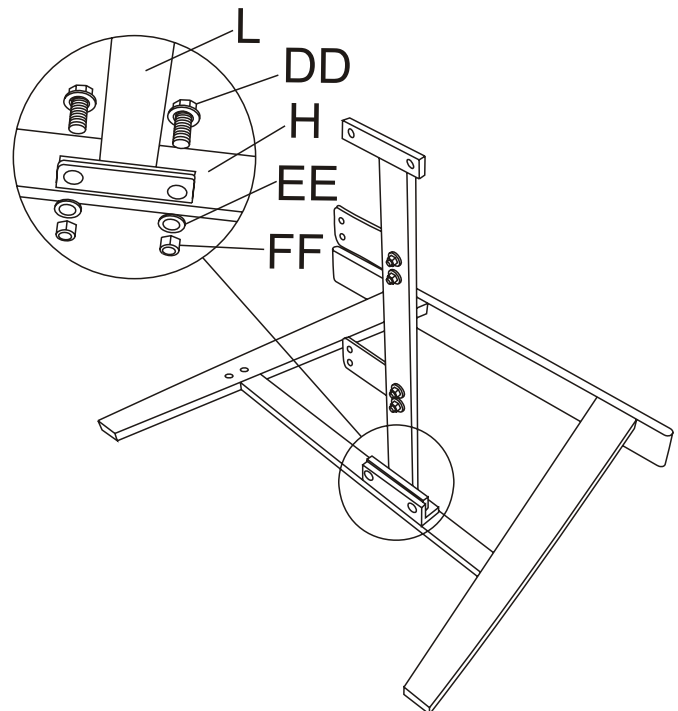


2 ATTACHING THE LEFT ARM TO THE STEM BRACKET

- Attach the left arm (H) to the stem bracket (L) using combination bolts (DD), washers (EE) and nuts (FF).



NOTE: Please ensure all the bolts are assembled correctly and use the wrench (II) to tighten. Do not fully tighten bolts/screws until all pieces are loosely assembled. Add corresponding plastic bolt caps (GG) after final assembly is finished.



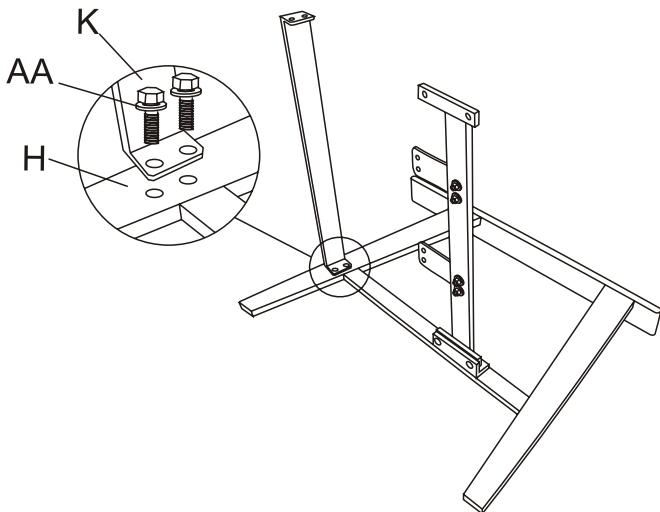
Chair Assembly (continued)

3 ATTACHING THE CROSS BAR TO THE LEFT ARM

- Attach the cross bar (K) to the left arm (H) using combination bolts (AA).



NOTE: Please ensure all the bolts are assembled correctly and use the box wrench (JJ) to tighten. Do not fully tighten bolts/screws until all pieces are loosely assembled. Add corresponding plastic bolt caps (CC) after final assembly is finished.

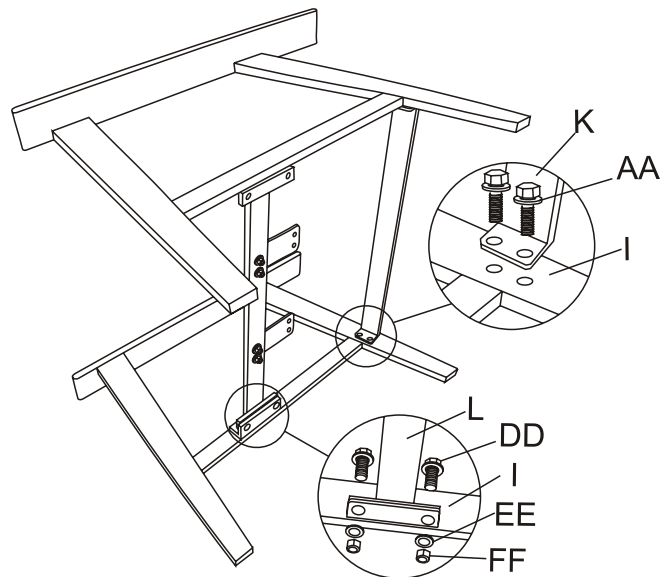


4 ATTACHING THE RIGHT ARM TO THE CROSS BAR AND THE STEM BRACKET

- Attach the right arm (I) to the cross bar (K) using combination bolts (AA).
- Attach the right arm (I) to the stem bracket (L) using combination bolts (DD), washers (EE) and nuts (FF).



NOTE: Please ensure all the bolts are assembled correctly and use the box wrench (JJ) and wrench (II) to tighten. Do not fully tighten bolts/screws until all pieces are loosely assembled. Add corresponding plastic bolt caps (CC) and (GG) after final assembly is finished.



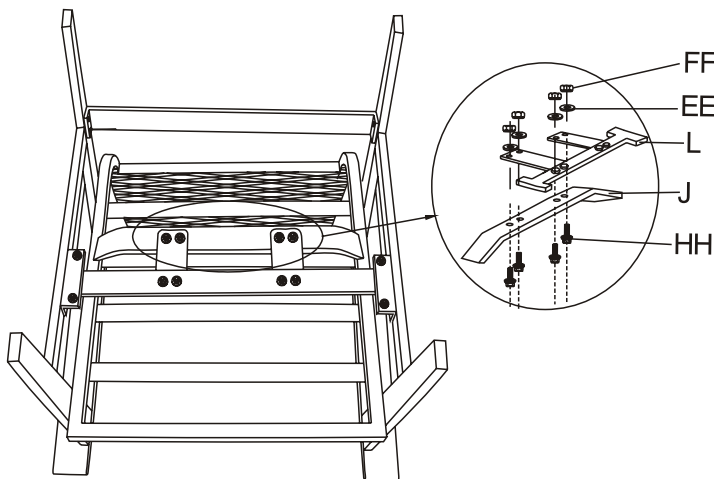
Chair Assembly (continued)

5 ATTACHING THE SEAT FRAME TO THE STEM BRACKET

- Attach the seat frame (J) to the stem bracket (L) using combination bolts (HH), washers (EE) and nuts (FF).



NOTE: Please ensure all the bolts are assembled correctly and use the wrench (II) to tighten. Do not fully tighten bolts/screws until all pieces are loosely assembled. Add corresponding plastic bolt caps (GG) after final assembly is finished.

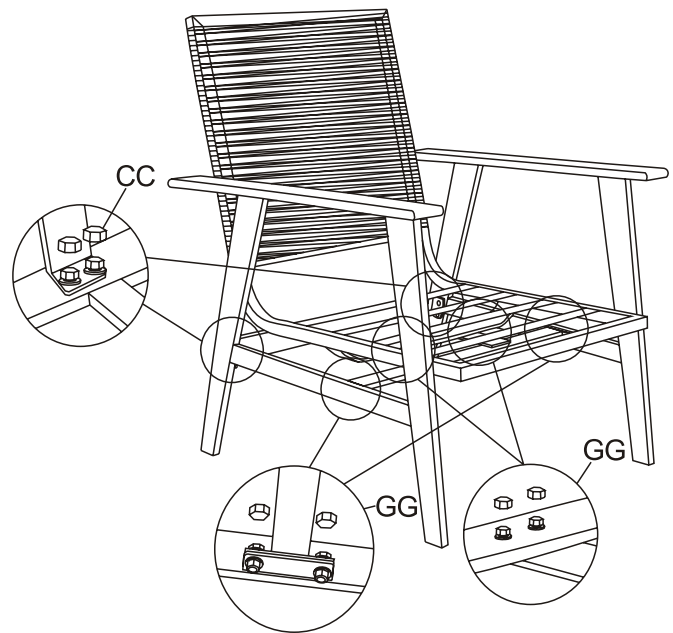


6 TIGHTENING THE BOLTS AND ADDING THE BOLT CAPS

- Once all of the bolts are in place, fully tighten the bolts using the box wrench (JJ) and wrench (II).
- Install the bolt caps (CC) and (GG) to every bolt.



NOTE: Please ensure all the bolts are assembled correctly and use the box wrench (JJ) and wrench (II) to tighten. Do not fully tighten bolts/screws until all pieces are loosely assembled. Add corresponding plastic bolt caps (CC) and (GG) after final assembly is finished.



Sofa Assembly (continued)

7 ADDING THE CUSHIONS

- Place seat cushion (M) and back cushion (N) on the chair.
- Ensure all connections are secure before use.

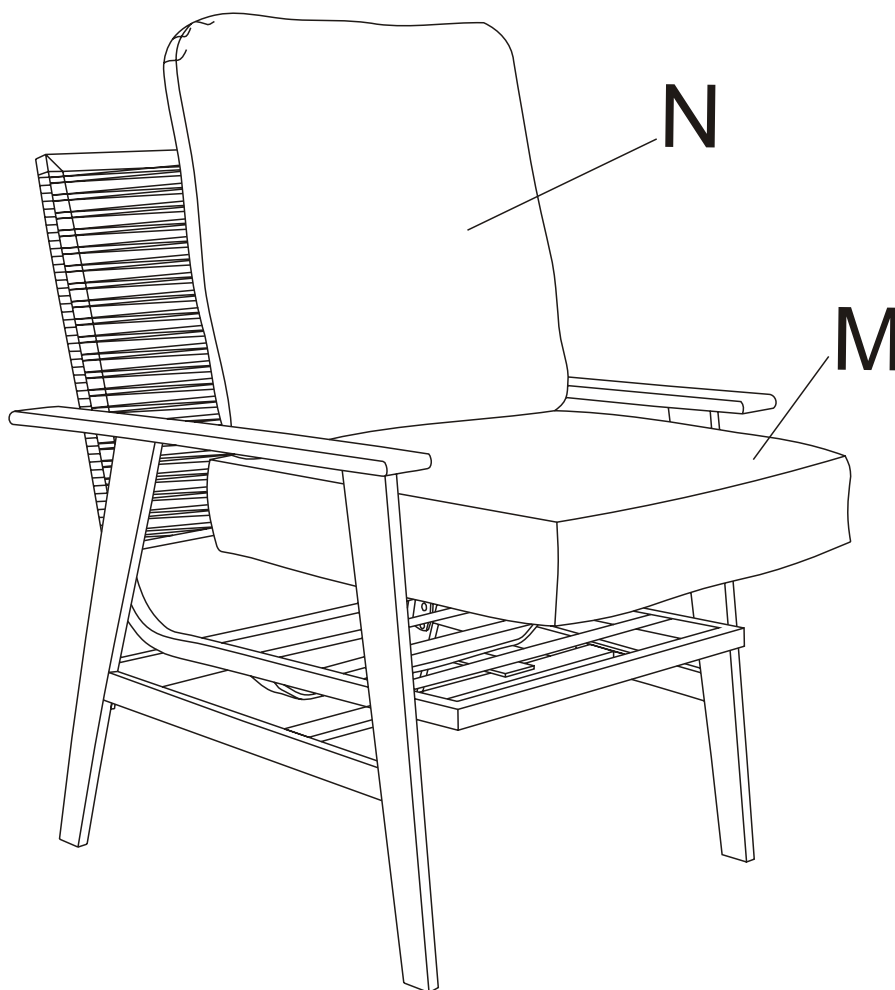


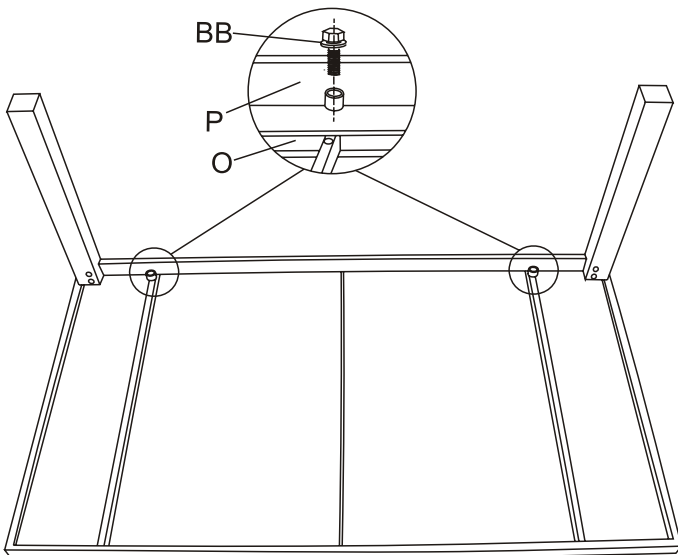
Table Assembly

1 ATTACHING ONE TABLE LEG TO THE TABLE TOP

- Attach one table leg (P) to the table top (O) using combination bolts (AA).



NOTE: Please ensure all the bolts are assembled correctly and use the box wrench (JJ) to tighten. Do not fully tighten bolts/screws until all pieces are loosely assembled. Add corresponding plastic bolt caps (CC) after final assembly is finished.



2 ATTACHING THE CROSS BAR TO THE TABLE LEG

- Attach the cross bars (Q) to the table leg (P) using combination bolts (AA).



NOTE: Please ensure all the bolts are assembled correctly and use the box wrench (JJ) to tighten. Do not fully tighten bolts/screws until all pieces are loosely assembled. Add corresponding plastic bolt caps (CC) after final assembly is finished.

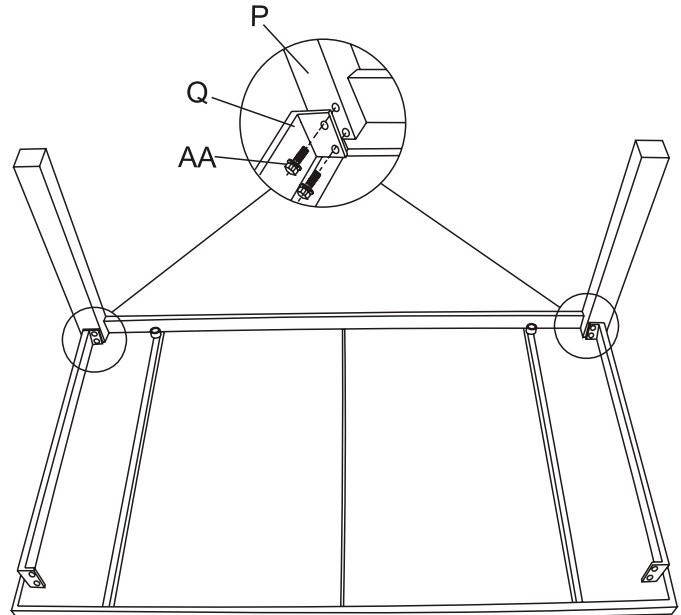

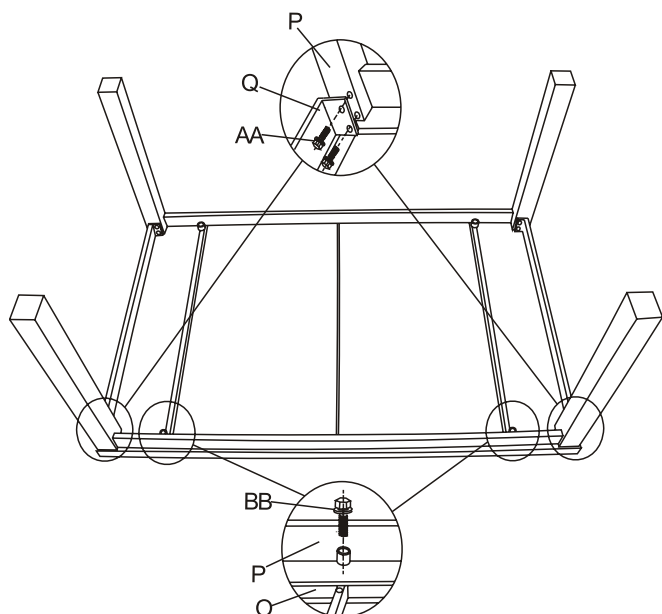


Table Assembly (continued)

3 ATTACHING THE OTHER TABLE LEG TO THE CROSS BAR BAR


- Attach the other table leg (P) to the cross bars (Q) using combination bolts (AA) and using combination bolts (BB).

 NOTE: Please ensure all the bolts are assembled correctly and use the box wrench (JJ) to tighten. Do not fully tighten bolts/screws until all pieces are loosely assembled. Add corresponding plastic bolt caps (CC) after final assembly is finished.



4 TIGHTENING THE BOLTS AND ADDING THE BOLT CAPS

- Once all of the bolts are in place, fully tighten the bolts using the box wrench (JJ).
- Install the bolt caps (CC) to every bolt.

 NOTE: Please ensure all the bolts are assembled correctly and use the box wrench (JJ) to tighten. Do not fully tighten bolts/screws until all pieces are loosely assembled. Add corresponding plastic bolt caps (CC) after final assembly is finished.

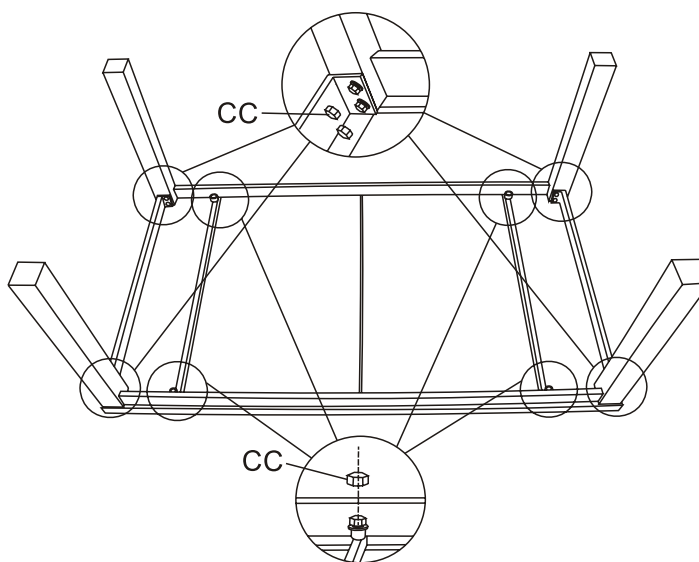
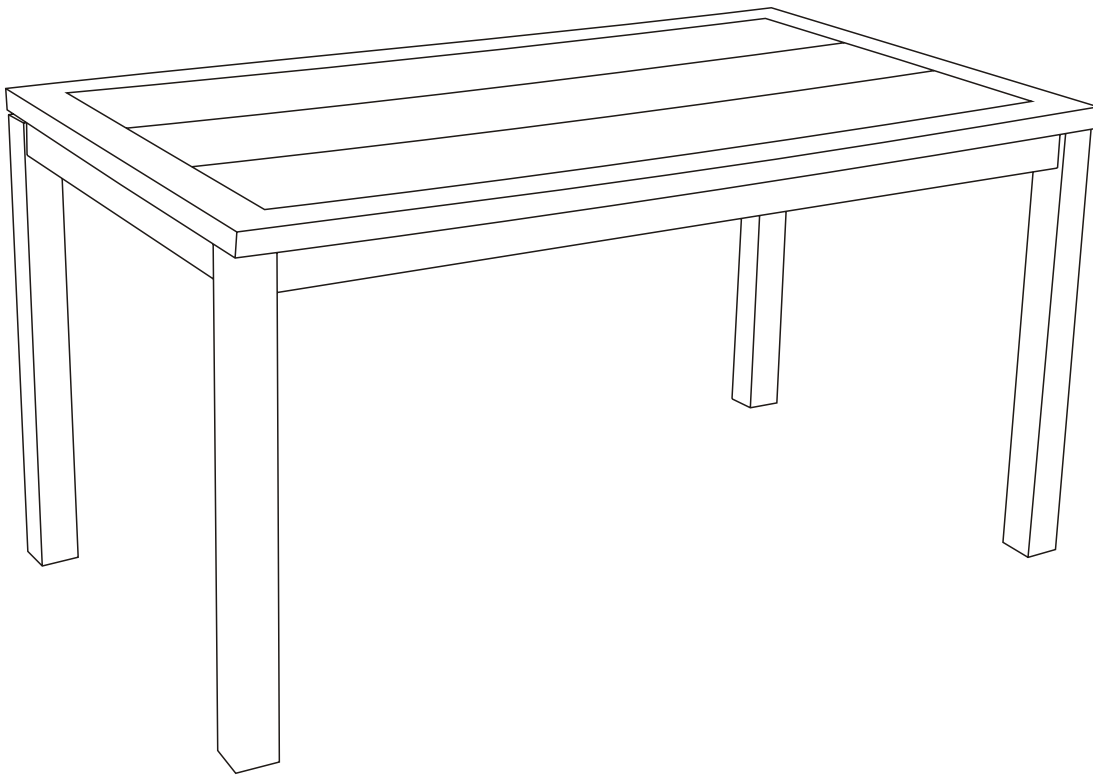


Table Assembly (continued)

5 TURNING OVER THE TABLE

- Turn over the table.



Care and Cleaning

- ❑ For best result, clean the products with a damp cloth and dry thoroughly. This will help prevent mildew by removing dirt particles that may accumulate.
- ❑ Do not clean with abrasive material, bleach, or solvents.
- ❑ Store the products in a dry, sheltered place when not in use.
- ❑ Keep the products away from fire, extreme heat, freezing conditions, and inclement weather such as rain, hail, sleet, snow, or wind.

HAMPTON BAY®

**Questions, problems, missing parts? Before returning to the store,
call Hampton Bay Customer Service
8 a.m. – 7 p.m., EST, Monday – Friday, 9 a.m. – 6 p.m., EST, Saturday**

1-800-841-1350

HAMPTONBAY.COM

Retain this manual for future use.

| |
|-----------------------------------|
| For certification use only |
| Chair ID # LG1177-3159 |
| Sofa ID # LG1177-3103 |
| Table ID # LG1177-07 |