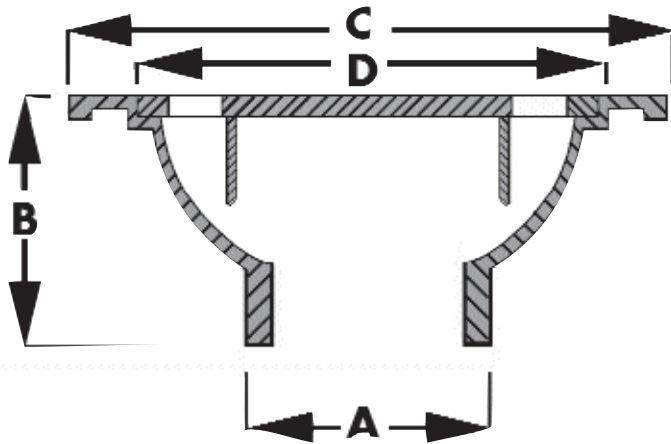


SPECIFICATION SUBMITTAL SHEET

j o n e s s t e p h e n s c o r p o r a t i o n

BELL TRAPS



features and benefits:

- Molded bell in lid
- Snap-in lid
- Use 2" coupling to convert 6" x 6" x 1 1/2" to 2" outlet

This product and others like it can be found in the Jones Stephens catalog. Call today to order your catalog or download it from our website:
www.plumbest.com

PVC	ABS	SIZE	A	B	C	D
<input type="checkbox"/> D42-006	<input type="checkbox"/> D42-011	6" x 6"	1 1/2" x 2"	2 3/8"	6"	4 9/16"
<input type="checkbox"/> D42-009	<input type="checkbox"/> D42-012	9" x 9"	3" x 4"	4"	9"	7 3/4"
<input type="checkbox"/> D42-010	<input type="checkbox"/> D42-013	9" x 9"	4" Hub Fit	4 1/2"	9"	7 3/4"

ACCESSORIES

PART NO.	DESCRIPTION
<input type="checkbox"/> D42-007	Lid for the D42-006
<input type="checkbox"/> D42-008	Lid for the D42-009

jones stephens corporation
 3249 moody parkway • moody, alabama 35004
 toll free phone: 1-800-355-6637 • toll free fax: 1-800-462-6991
www.plumbest.com