

BEFORE YOU START:

Please read instructions completely prior to attempting installation. Damages to the awning during installation are not covered by the warranty. After reading, if you feel that you still need additional installation assistance, please contact a local contractor for professional installation.

TIME REQUIRED FOR INSTALLATION: 1-2 hours

NUMBER OF INSTALLERS REQUIRED: 2-3 depending on size

Installation Notes regarding undesirable drop of the awning when extended

Wall construction may not be perpendicular to the ground. Use a level to check. The weight of the awning, especially when extended, will cause unforeseen force/drag/depression on certain wall materials and affect the drop/drag of the awning when extended. It is important to make adjustments at the time of bracket installation if you desire zero drop/drag of the front bar when the awning is extended. The following list of wall materials and steps necessary to correct drop/drag are provided:

- 1. Wood:** The awning weight will force the wood to bow/twist. Place enough (2-4) large washers between wall and bottom holes of the brackets to change the angle of the brackets in order to compensate for unwanted drop/drag of front bar when awning is extended.
- 2. Siding:** The awning weight will force siding material to compress/warp/twist as there is a gap between siding and structural supports in the wall. Place enough washers (2-4) between siding and bottom holes of the brackets to compensate for unwanted drop/drag of front bar when awning is extended.
- 3. Brick:** Bricks may be uneven. Place a board or flat surface across installation plane to determine whether brackets will be level. Place enough washers (2-4) between siding and bottom holes of the brackets to compensate for unwanted drop/drag of front bar when awning is extended.

INCLUDED PARTS LIST:

Beauty-Mark Retractable Awning (arrives completely assembled with fabric canopy)
2-6 Wall Mounting Brackets & Hardware – Depending on Size (see chart below)
Rocker Arm or Crank Handle
Remote Control (if motorized unit was purchased)
Owner's Manual

- NO MOUNTING HARDWARE IS PROVIDED. DUE TO VARIOUS WALL TYPES WE DO NOT PROVIDE THE HARDWARE TO MOUNT THE WALL BRACKETS TO MOUNTING SURFACE.

Awnings Sizes and Brackets Quantity					
Width	Projection	Brackets	Width	Projection	Brackets
8'	7'	2	16'	10' (12' Optional)	4
10'	8'	2	18'	10' (12' Optional)	5
12'	10'	3	20'	10' (12' Optional)	5
14'	10' (12' Optional)	3	24'	10' (12' Optional)	6

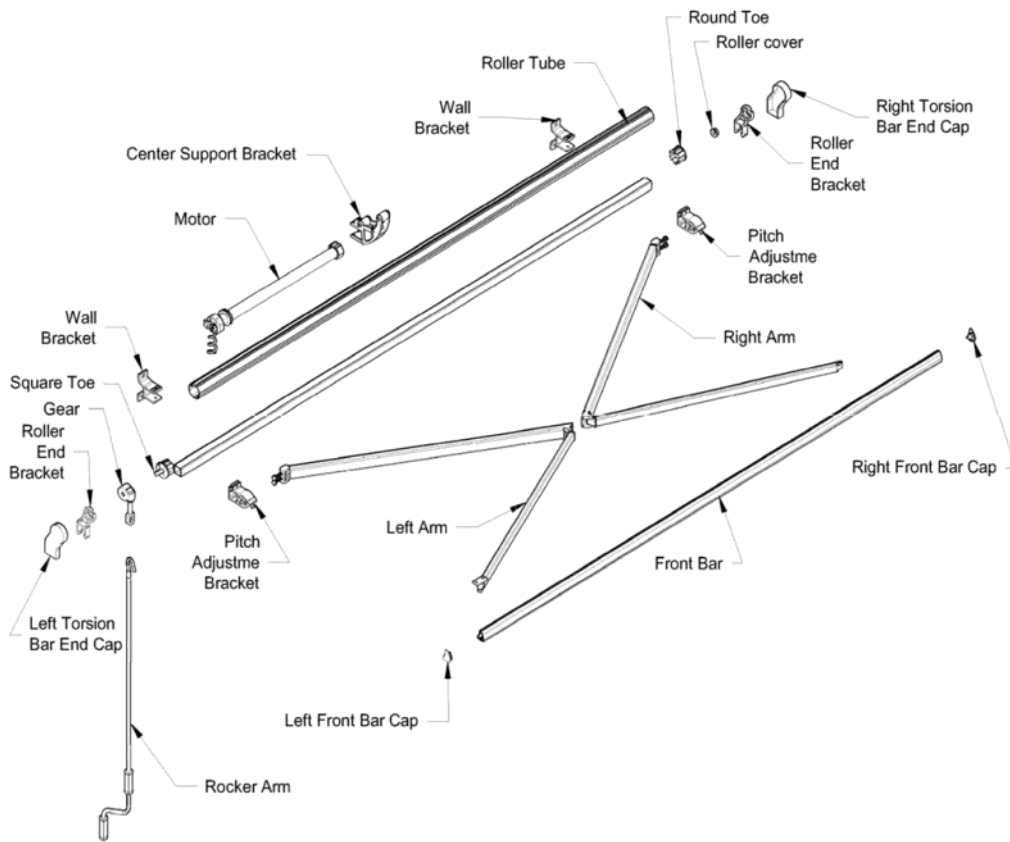
Projection measured from the wall to the front bar. Optional projection available for additional cost.

REQUIRED ITEMS FOR INSTALLATION:

- Drill
- Full wood/metal and masonry bit set (3/8 shank-1/2 bit for masonry applications)
- 2-3 16' extension ladders
- Stud Finder
- Full ratchet and socket set
- Screwdriver set
- String level
- Tape Measure
- Chalk line
- An assistant (two, if awning is more than 12' long)

SEE THE FOLLOWING APPLICATIONS FOR SPECIFIC SIZE OF TOOLS AND HARDWARE REQUIREMENTS

NOTE: There are many different building surfaces to mount your Beauty-Mark Retractable Awning. AWNTECH provides the most common of WALL MOUNTING BRACKETS in its standard packing. There are so many building surfaces; Awntech does not provide mounting bolts and hardware. Read carefully to determine whether you need another type of bracket and read the follow sheet to determine the types and sizes of screws, bolts, anchors, lumber and tubing you may need to purchase for your specific needs.



TYPES OF MOUNTING BRACKETS

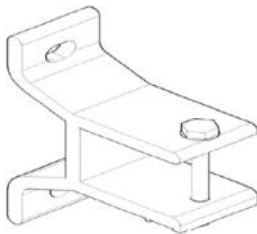
Wall Mounting Brackets: These are the most commonly used brackets. They are included with all awnings. This bracket is designed for any flat exterior wall mounting surface with a horizontal band at least 10" tall, at least 8'-0" from the eave to the surface of the patio. It can also be mounted on a fascia (with Guttering removed) Higher than 7'-0" and lower than 9'-6" from the patio to the bottom of the fascia.

Wall Bracket Measurements:		Soffit Bracket Measurements:		Roof Bracket Measurements:	
Height	5.5	Height	8	Height	9
Width	2.25	Width	1 7/8	Width	3
Depth	3	Depth	4 5/8	Depth	9
Between the Holes	3.75	Between the Holes (top)	2 3/4	Between the Holes (top)	2 3/8" 2 3/8"-1 1/4"
		Between the Holes (Back)	3	(Front to Back)	

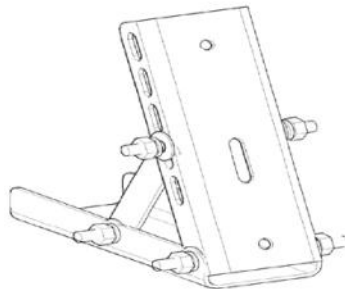
Eave Mounting Brackets (optional): This bracket is designed for any application where there is not a 10" tall horizontal vertical band to mount the awning to and there is an eave (or bottom of a beam) Higher than 7'-9" and lower than 10'-2" from the surface of the patio to the bottom of the eave. The eave (or bottom of the beam) must be at least 5" wide. It is also an effective tool if eaves are deep and you want to maximize the projection of your awning. NOTE: DO NOT PURCHASE SOFFIT BRACKETS WITH A DESTIN. It may be purchased by calling Awntech at 800-203-7049 or sending an email to sales@awntech.com.

Roof Mounting Brackets (optional): This bracket is designed for any application where the wall mounting and eave mounting brackets conditions are either not met or acceptable and a roof mounting application is desired. It is not designed for composition roofs on wafer board or plywood decking. (At this time, we have no solution for clay tile, slate, or cedar shake applications over lath.) NOTE: WE HIGHLY RECOMMEND THE PURCHASE OF A MOTOR FOR THIS APPLICATION. Awntech highly recommends that a professional roofing contractor to do the installation. It may be purchased by calling Awntech at 800-203-7049 or sending an email to sales@awntech.com.

Wall Bracket



Roof Bracket (optional)



Soffit/Eave Bracket (optional)



INSTALLING BRACKETS

PLACEMENT OF THE BRACKETS IN THE OPTIMUM LOCATION WILL GREATLY AFFECT YOUR LONG TERM HAPPINESS WITH YOUR AWNING. BELOW YOU WILL FIND A PLACMENT GUIDE.

DETERMINING BRACKET PLACEMENT

FOR STARTERS: A DESTIN IS A MAUI WITH A HOOD. THE HOOD MAKES THE AWNING TALLER, SO OUR DIAGRAMS SHOW DIMENSIONS FOR BOTH STYLES.

Please refer to the following drawings on page 6-8 to determine your particular mounting brackets needs.

If A most closely reflect your application, this requires wall brackets which are included with your awning.

If B or C most closely reflect your desired application, this requires that you purchase one eave bracket to replace each wall bracket required.

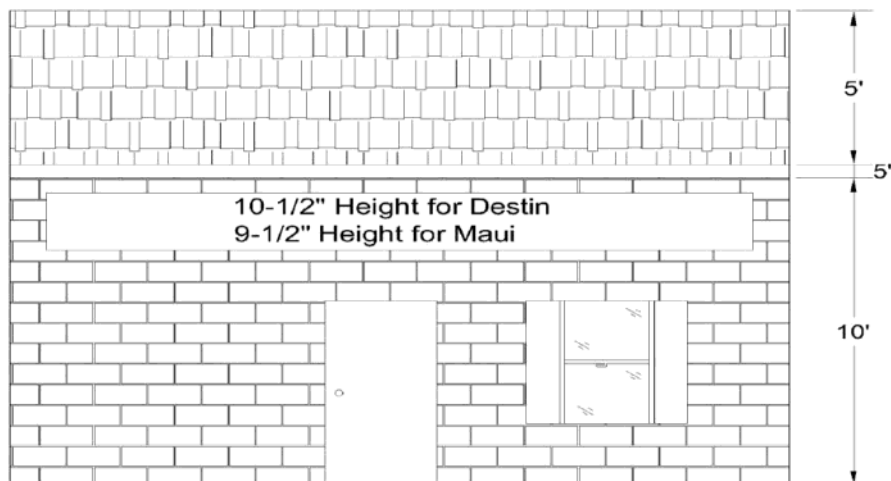
If D most closely reflects your desired application you will need wall brackets for both applications (which come with your awning, however, if you choose a roof mounted application you must purchase one roof bracket per wall bracket required.

You must center and secure your brackets into the center of studs or rafters. These are hidden from view behind your wall surfaces or roof surface. A stud finder is a tool that finds nails with an internal magnet. Nails are a indicator of where studs and rafters are, but not a guarantee. It is extremely important that you test your conclusions. Nails will be found in vertical lines. Fully install a bolt in the location where you have concluded your stud or rafter is located; if at any time it becomes easy to turn the ratchet, you ARE NOT in the stud or rafter. For guide purposes only; most studs are rafters are 12", 16", or 24" apart.

Mark all the locations of the studs or rafters in the area where you have decided to install your awning.

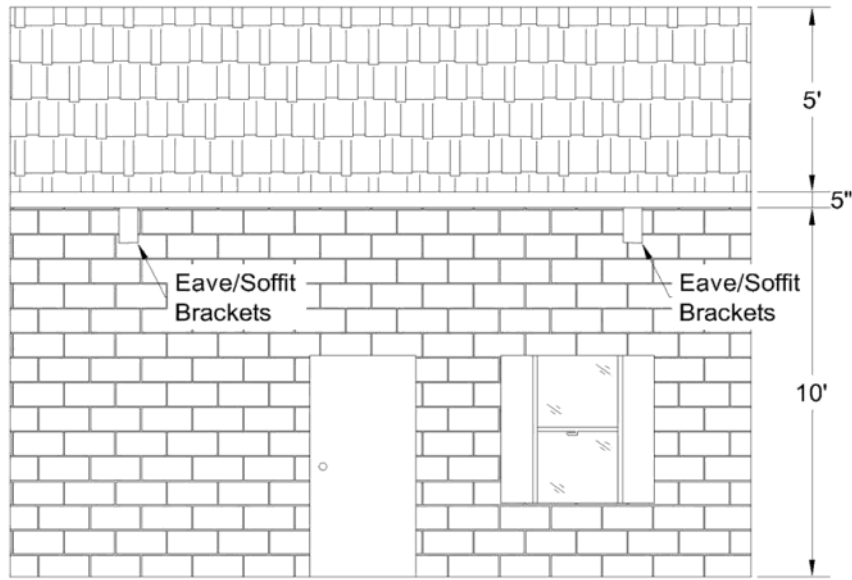
It is recommended that there should be one bracket each next to the lateral arms. Choose the appropriate studs or rafters to install your brackets onto. Hint: short studs above windows and doors are structural and may be used to secure bracket as well as full length studs. (See the picture in the Below.)

(A)



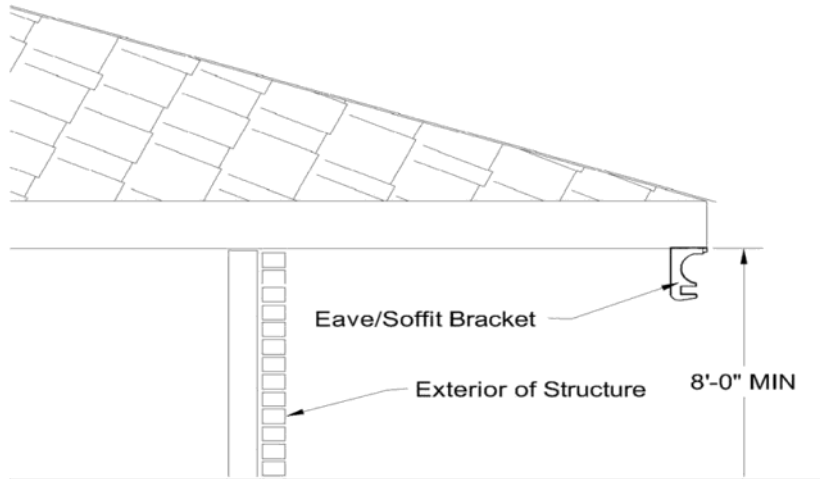
*Typical Height and Material, Varies from Structure to Structure

(B)



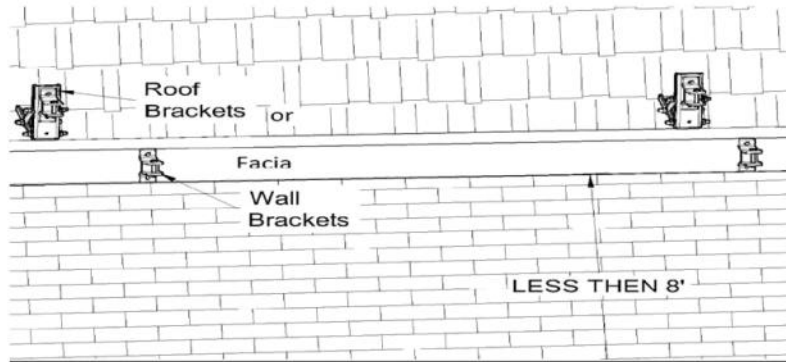
*Typical Height and Material, Varies from Structure to Structure

(C)



*Typical Height and Material, Varies from Structure to Structure

(D)



*Typical Height and Material, Varies from Structure to Structure

THE FOLLOWING PAGES ARE INSTRUCTION FOR THE MOST COMMON INSTALLATION APPLICATIONS

APPLICATION A – INSTALLING WALL MOUNTING BRACKETS TO FLAT SIDING, STUCCO, CEMENT OR CULTURED STONE (OF ANY TYPE):

Place a ladder safely on a flat, dry, stable surface at both ends of where the awning will be installed.

Using a Chalk-line and string level (or a laser level) mark a horizontal line at your chosen height above the patio.

Using a stud finder, Mark the center of all the studs along the line where the awning will be installed. Failure to center bolts in structural studs will cause premature failure and result in awning collapse and possible injury.

Mark both ends of where the awning will be installed on that line.

There should be one bracket within one feet of each end and or close to the lateral arm and then distribute the rest of the bracket(s) evenly spaced across the awning torsion bar. Choose and mark the best studs to install the brackets on given those requirements.

Cultured stone surfaces may require a grinder to flatten off the area where the brackets are to be installed.

Using the bracket as a template (the top of the bracket has a ridge on it), mark the holes. Place the bottom of the bracket on the chalk line. BRACKETS WILL BE THE LOWEST POINT OF THE AWNING.

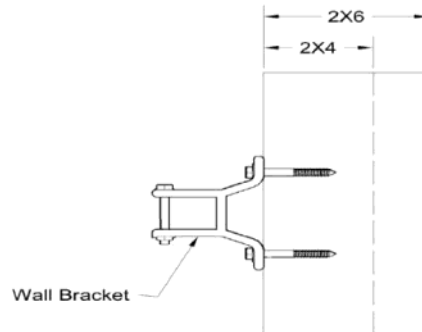
For Stucco or cultured stone: Use a 5/16" masonry bit to get through the surface. Drill a pilot hole into the stud beyond it with a 3/16" wood/metal bit. Using a ratchet, install (2) 5/16"x3" lag screw and (2) 5/16" washer to secure the bracket to the wall.

For Concrete surface: Use a 5/16" masonry bit to drill 3" deep holes into the surface. Insert (2) 5/16"x3" wedge anchors into the hole. Install a washer on each anchor. Place the bracket so the anchors come through the mounting holes. Install another washer and fully tighten the nuts.

For flat siding: the easiest way is to mount a 1"x5"-6" treated/painted timber beam (the same length as your awning width) through the siding into the studs using (2) 5/16"x3" lag screws and (2) 5/16" washers. Then you mount the awning to the studs through the timber beam. Or mount a 2"x5"-6" treated/painted timber beam (the same length as your awning width) through the siding into the studs.

Repeat the process for the remaining brackets.

Seal around each bracket with a clear paint-able silicone caulking.



APPLICATION B – INSTALL WALL MOUNTING BRACKETS TO ALUMINUM, VINYL, HARDBOARD OR LAP SIDING.

Place a ladder safely on a flat, dry, stable surface at both ends of where the awning will be installed.

Using a chalk-line and string level (or a laser level) mark a horizontal line at your chosen height above the patio.

Using a stud finder, Mark the center of all the studs along the line where the awning will be installed. Failure to center bolts in structural studs will cause premature failure and result in awning collapse and possible injury.

Mark both ends of where the awning will be installed on the line.

There should be one bracket within one foot of each end or close to the lateral arms and then distributes the rest of the bracket(s) evenly spaced across the awning torsion bar. Choose and mark the best studs to install the brackets on given those requirements.

Using the bracket as a template, mark the holes. Place the bottom of the bracket on the chalk line.

For aluminum or vinyl: Mark a 5-1/2"X5-1/2" square (centered on the stud left to right and on the bracket vertically) where the bracket will be placed. Cut the siding with a sharp utility knife.

For all other siding: Mark a 5-1/2"X5-1/2" square (centered on the stud left to right and on the bracket vertically) where the bracket will be placed. Cut eh siding with a circular saw set at the depth of the siding.

Make the appropriate number of 5-1/2"X5-1/2" wood blocks made from a piece of 2X6 Lumber.

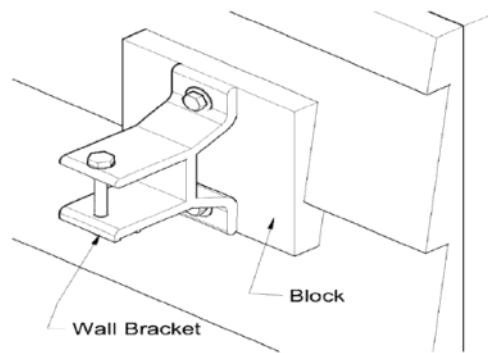
Using the brackets as a template (the top of the bracket has a ridge on it) drill (2)5/16" holes in the blocks. Sand the corners and pain and blocks to match your exterior paint color.

Drill a hole into the stud with a 3/16" wood/metal bit.

Using a ratchet, install (2) 5/16"X4-1/2" lag screws (9/16" socket) and (2) 5/16" washers to secure the bracket to the stud behind the block.

Seal around each block with clear paintable silicone caulking.

Repeat the process for the remaining brackets.



APPLICATION C – INSTALLING WALL MOUNTING BRACKETS TO FACIA

CAUTION: BEFORE INSTALLING BRACKETS ON FASCIA ALL GUTTERING MUST BE REMOVED. AWNING CAN NOT BE INSTALLED ON THE FACIA IF THE FACIA BOARD IS LESS THAN 5" HIGH. TOP OF THE AWNING WILL STAY ABOVE THE ROOF LINE SINCE THE MOUNTING BRACKETS ARE THE LOWEST POINT OF THE AWNING.

Place a ladder safely on a flat, dry, stable surface at both ends of where the awning will be installed.

Using a chalk-line and string level (or a laser level) mark a horizontal line, one inch above the bottom edge of the fascia.

Using a stud finder, Mark the center of all the studs along the line where the awning will be installed. Failure to center bolts in structural studs will cause premature failure and result in awning collapse and possible injury.

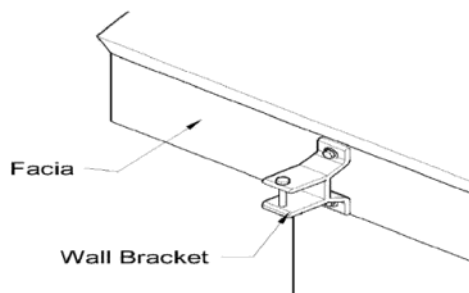
Mark both ends of where the awning will be installed on that line.

There should be one bracket within one foot of each end or close to the lateral arms and then distributes the rest of the bracket(s) evenly spaced across the awning torsion bar. Choose and mark the best studs to install the brackets on given those requirements.

Using the brackets as a template (The top for the bracket has a ridge on it), mark the holes. Place the bottom of the bracket on the chalk line.

Drill a pilot hole into the rafter with a 3/16" wood/Metal bit. Using a ratchet, install (2) 5/16"X5" lag screws (9/16" Socket and (2) 5/16" washers to secure the bracket to the fascia.

Repeat the process for the remaining brackets.



APPLICATION D – INSTALLING WALL MOUNTING BRACKETS TO BRICK ON STONE

Place a ladder safely on a flat, dry, stable surface at both ends of where the awning will be installed.

Using a chalk-line and string level (or a level level) mark a horizontal line, one inch above the bottom edge of the fascia.

Using a chalk-line and string level (or a laser level) mark a horizontal line, one inch above the bottom edge of the fascia.

Using a stud finder, Mark the center of all the studs along the line where the awning will be installed. Failure to center bolts in structural studs will cause premature failure and result in awning collapse and possible injury.

There should be one bracket within one foot of each end or close to the lateral arms and then distributes the rest of the bracket(s) evenly spaced across the awning torsion bar. Choose and mark the best studs to install the brackets on given those requirements.

For stone: it may be necessary to use a grinder to flatten the area where the brackets are to be placed.

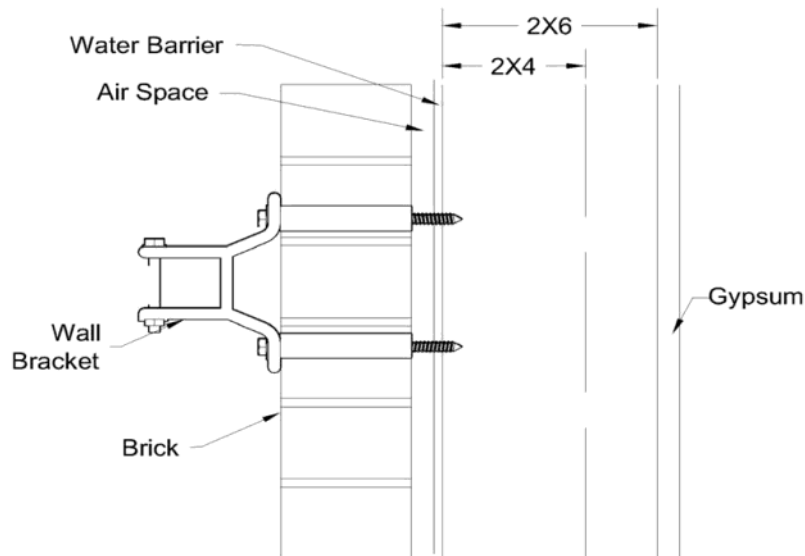
Use the brackets as a template (the top of the bracket has a ridge on it), mark the hole. Place the bottom of the bracket on the chalk line.

Use a 1/2" masonry bit to go through the brick or stone.

Install (2) 1/2"x5-1/2" aluminum tubing into the holes (these can be purchased at your local home center as 3'-section of 1/2" aluminum tubing. Use a hack saw to cut it into 5-1/2" sections.) Using a ratchet, install (2) 3/8"x8" lag screws (1/2" socket) and (4) 3/8" washer (one washer on the front and back of the bracket, per screw) to secure the bracket to the wall.

Repeat the process for the remaining brackets.

IF YOU KNOW THE BRICK AND THE MORTAR OF YOUR HOME/BUILDING IS STRONG AND CAN HANDLE THE LOAD OF THE AWNING WITHOUT INSTALLING THE BRACKETS TO THE STUDS THEN YOU MAY DO THE FOLLING (AWNTECH DOES NOT TAKE ANY RESPONSIBILITY FOR ANY DAMASGES TO THE PROPERTY AND ANY INJURIES TO THE PEOPLE IF THE AWNING IS PULLED OFF FROM THE WALL) For brick surfaces: use a 5/16" masonry bit to drill 3" deep holes into the surface. Insert two 5/16" x3" wedge anchors into the hole. Install a washer on each anchor. Place the bracket so the anchors come through the mounting holes. Install another washer and fully tighten the nuts.



APPLICATION E – Installing wall mounting brackets to metal buildings

Place a ladder safely on a flat, dry, stable surface at both ends of where the awning will be installed.

Using a chalk-line and string level (or a laser level) mark a horizontal line, with the exterior wall surface at least 6" from the wall.

Mark both ends of where the awning will be installed on the line.

Identify the location of the structural supports. Typically surface screws make them easy to locate.

The structural supports are typically vertical, so you will need to mount a piece of 2X6 treated lumber (4" longer than the awning) onto the surface. The bottom corner of the lumber should be on the chalk-line. Mount it temporarily with 3" Self-Tapping sheet metal screws. Mount another 2X6 (same length) one on the inside of the metal, again with 3" self-tapping sheet metal screws.

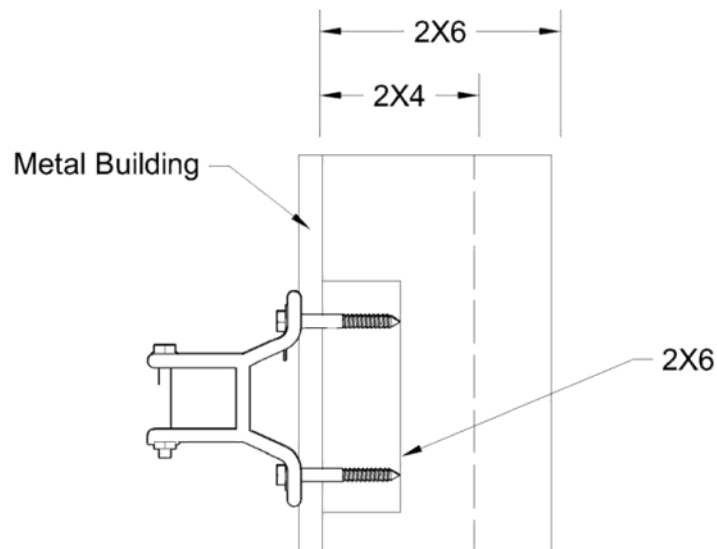
There should be one bracket within one feet of each end or close to the lateral arms and there should be one bracket within one feet of each end or close to the lateral arms and then distributes the rest of the bracket(s) evenly spaced across the awning torsion bar. Use the chalk-line to mark another line on the 2x6 lumber, 1" up from the bottom ends, using the bracket as a template, mark the holes, place the bottom of the bracket on the chalk line.

Drill holes through the front board with a 5/16" wood/metal bit.

Use a ratchet, install (2) 5/16"x5" lag screws (9/16" socket and (2) 5/16" washers to secure the bracket through the front board and into the back board.

Repeat the process for the remaining brackets.

Seal the top of the board where it meets the metal siding with clear paint-able silicone.



APPLICATION F – INSTALLING WALL MOUNTING BRACKETS TO CONCRETE BLOCK WALLS:

Place a ladder safely on a flat, dry, stable surface at both ends of where the awning will be installed.

Using a chalk-line and string level (or a laser level) mark a horizontal line, with the exterior wall surface at least 6" from the wall.

Mark both ends of where the awning will be installed on the line.

You must have access to the back side of the block. (It cannot be a finished surface).

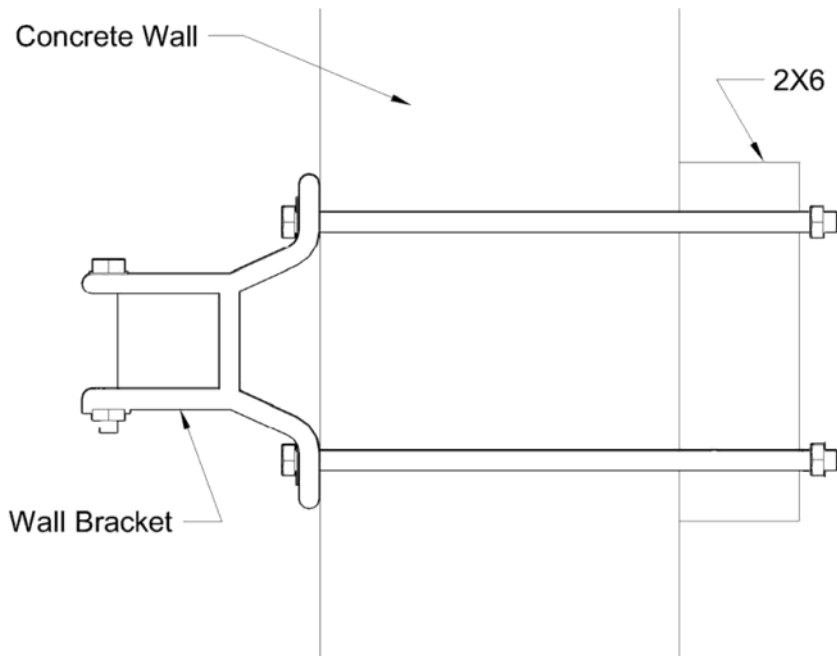
Purchase on place of 2X6 lumber the length of your awning. You will also need (2)5/16"X24" all-thread, (4) 5/16" washer and (2)5/16" nuts for each bracket. You will need a drill a 12" long 5/16" masonry bit and a 5/16" wood bit.

There should be one bracket within one feet of each end or close to the lateral arms and then distributes the rest of the bracket(s) evenly spaced across the awning torsion bar. Use the Chalk-line to mark another line on the 2x6 lumber, 1" up from the bottom edge. Using the bracket as a template, mark the holes. Place the bottom of the bracket on the chalk line.

Drill holes with the masonry bit into the block in the marked location. Drill all the way through.

Use the holes as a template to drill holes through the 2x6 that will be mounted on the back side. Insert the all-thread, install the washer and nuts and secure them with a ratchet.

Repeat the process for the remaining brackets.



APPLICATION G – INSTALLING EAVE MOUNTING BRACKET TO EAVE OR BOTTOM OF BEAM

(EAVE BRACKETS MUST BE PURCHASED SEPARATELY)

Place a ladder safely on a flat, dry, stable surface at both ends of where the awning will be installed.

Using a chalk-line and string level (or a laser level) mark a horizontal line, with the exterior wall surface at least 6" from the wall.

Using a stud finder, mark the center of all boards that the eaves are secured to along the line where the awning will be installed. Failure to center bolts in structural studs will cause premature failure and result in awning collapse and possible injury.

Mark both ends of where the awning will be installed on that line.

There should be one bracket within one foot of each end or close to the lateral arms and then the rest of the bracket(s) evenly spaced across the awning torsion bar. Choose and mark the best studs to install the brackets on given those requirements.

Using the bracket as a template, mark the holes. Place the front of the bracket on the chalk line.

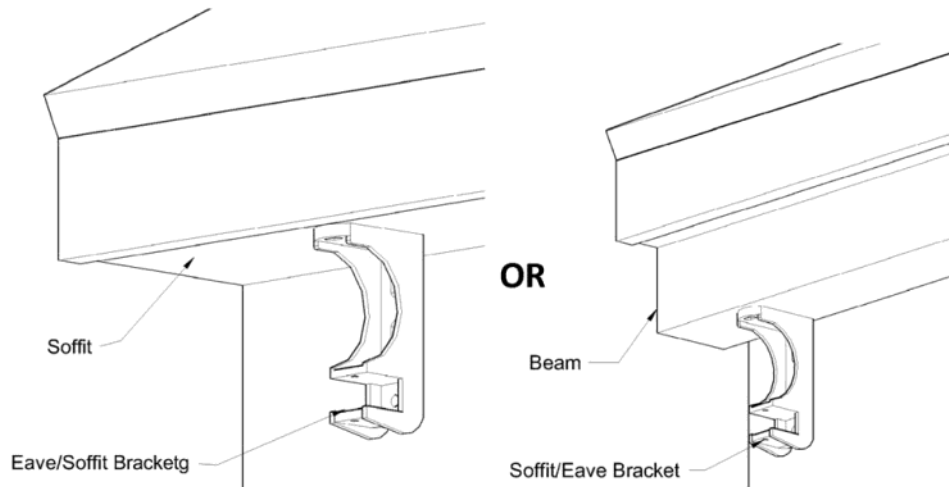
Drill a pilot hole into the board with a 3/16" wood/Metal bit.

Using a ratchet and 9/16" socket, install (2) 5/16"x3" lag screws and (2)5/16" washer to secure the bracket into the boards.

Repeat the process for the remaining brackets.

MOUNTING SAVE BRACKET TO A BEAM SOFFIT/EAVE

MOUNTING EAVE BRACKET TO



APPLICATION H – INSTALLATION ROOF MOUNTING BRACKET TO ROOF:

(ROOF BRACKETS MUST BE PURCHASED SEPARATELY)

WE HIGHLY REQUIRE THAT YOU HIRE A PROFESSIONAL ROOFING CONTRACTOR TO INSTALL THE ROOF MOUNT BRACKETS AND AWNING. IMPROPER INSTALLATION CAN CAUSE INJURY TO THE INSTALLER AND DAMAGER THE PROPERTY.

Place a ladder safely on a flat, dry, stable surface at both ends of where the awning will be installed.

Using a stud finder, mark the center of all boards that the eaves are secured to along the line where the awning will be installed. Failure to center bolts in structural studs will cause premature failure and result in awning collapse and possible injury.

Mark both ends of where the awning will be installed on that line.

There should be one bracket within one foot of each end or close to the lateral arms and then the rest of the bracket(s) evenly spaced across the awning torsion bar. Choose and mark the best rafters to install the brackets into given those requirements.

Purchase one piece of galvanized flashing 12" W X 24" D and (3) 5/16" rubber washers per bracket. Using the bottom holes in the base bracket (A) as a template, mark and cut 5/16" holes along the centerline of the flashing, 6" from each side. Install the rubber washer between the bracket and the flashing.

Using stiff putty knife pry the shingles apart 24" (about 24" wide) back from the edge of the roof.

Slip the back of the flashing at least 8" under the shingles. Center the holes and rubber washers over the selected rafters.

Install wall brackets securely on the face of brackets (B) with the nuts, washer and bolts provided.

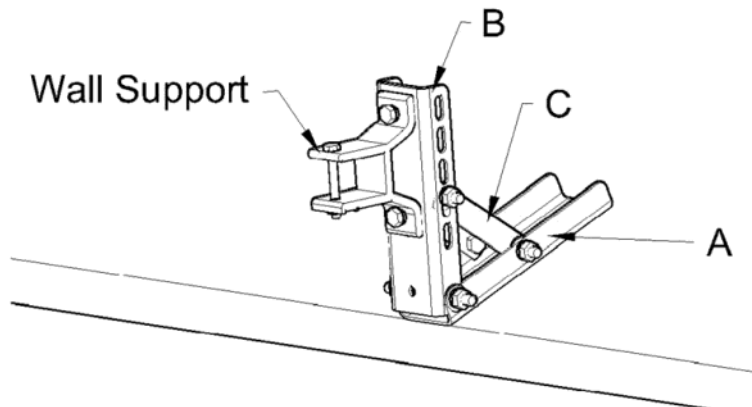
Insert a 5/16" X 1" hex bolt into the bottom holes of brackets (A) and (B). Install lock washers and nuts loosely.

Using a ratchet and 9/16" socket, install 5/16" X 1" hex bolts, lock washers and nuts to secure the support arms (C) to the inside edges of bracket A.

Using a level, install the support arm to bracket B through the holes that most closely set bracket B vertical.

Tighten all nuts and bolts securely.

Seal the shingles back together with quality roofing sealer.



INSTALLING THE AWNING ONTO THE BRACKETS

Place a ladder safely on a flat, dry, stable surface at both ends of where the awning will be installed.

For the DESTIN® only: Assemble the hood and secure the mounting bracket to the back or the back bar of the awning (see Diagram on Page __ for installation instructions)

Assure that the awning is in the closed position and the arms are tied closed. This will prevent the unit from inadvertently opening while being lifted into the brackets.