

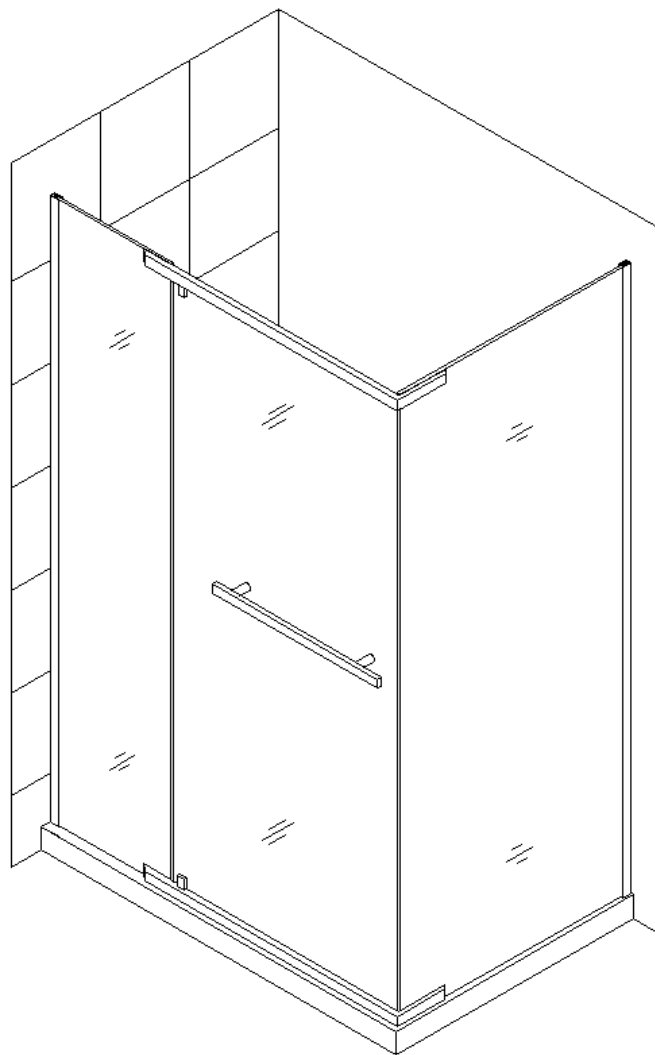


## QUATRA

### SHOWER ENCLOSURE INSTALLATION INSTRUCTIONS

#### **IMPORTANT!**

DreamLine™ reserves the right to alter, modify or redesign products at any time without prior notice. For the latest up-to-date technical drawings, manuals or any other details please refer to the [support.BathAuthority.com](http://support.BathAuthority.com) web page.



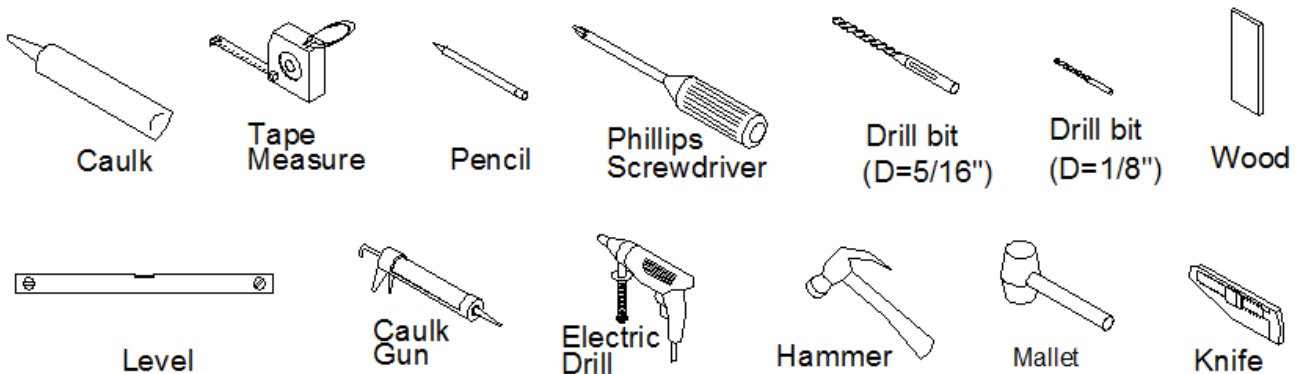
Please read these instructions carefully before installing. If you have any questions regarding installation, please call our technical support specialists Monday through Friday 9:00 AM – 5:00 PM EST at Phone: [1-866-731-2244](tel:1-866-731-2244), Fax: [1-866-227-1533](tel:1-866-227-1533) or e-mail our technical support group at [support@BathAuthority.com](mailto:support@BathAuthority.com).

For more information on [DreamLine™ Shower Enclosures](http://www.BathAuthority.com) please visit [www.BathAuthority.com](http://www.BathAuthority.com)

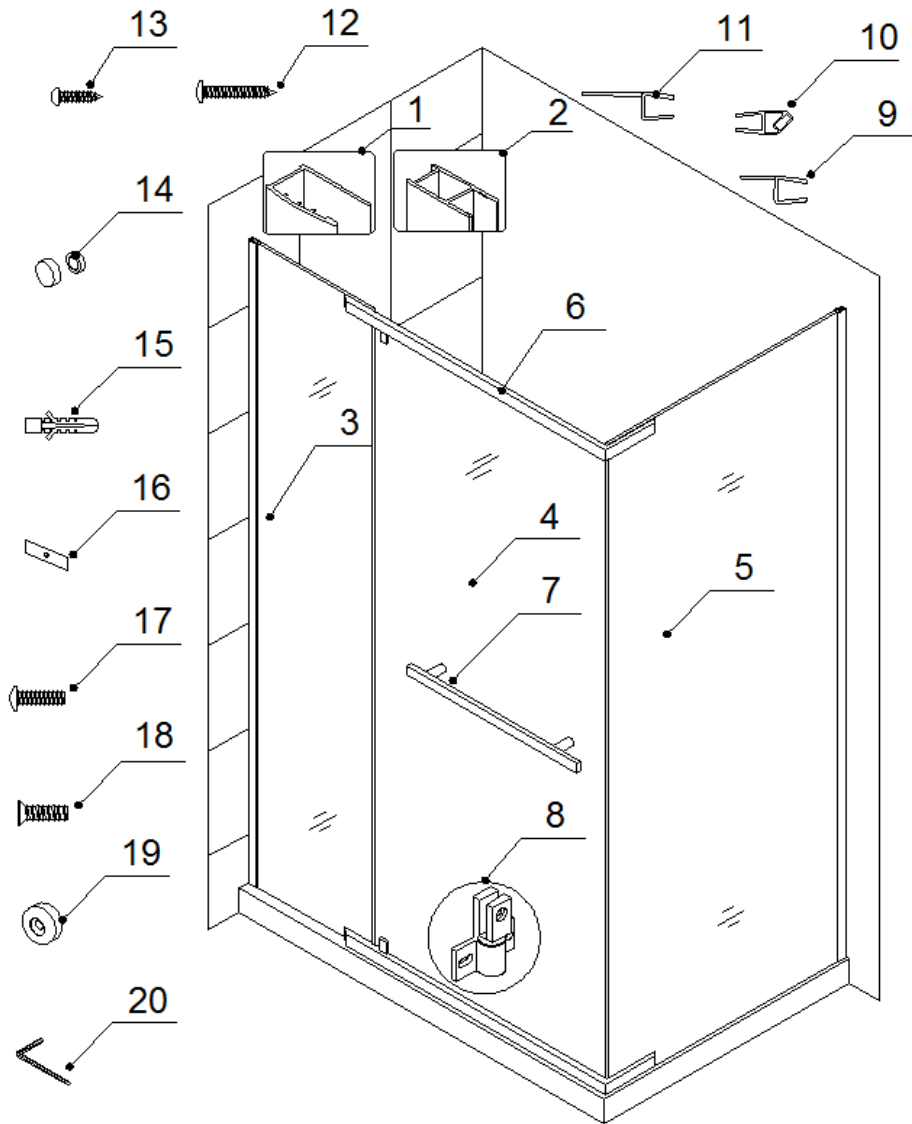
## Preparation

1. After opening all boxes and packages, read this introduction carefully. Check that all of the needed parts are included in the package by marking all the components on the "Detailed Diagram of Shower Door Components". Examine boxes and packages for shipping damage. If the unit has been damaged, has a finishing defect, or has missing parts, please contact our customer support department within 5 business days of the delivery date. Please note that **DreamLine™ will not replace any damaged products or missing parts free of charge after 5 business days or if the product has been installed.** Feel free to contact DreamLine™ if you have any questions.
2. **Please note that you should consult your local building codes with questions on installation compliance standards. Building and plumbing codes may vary by location, and DreamLine is not responsible for code compliance standards for your project and will not accept any returns.**
3. Please ensure that prior to the installation the installation surface is leveled and solid and will be able to support the total weight of the unit. Also make sure the walls are at right angles. Irregular installation surface level or improper angle of side walls will result in serious problems for your installation. Please, note that some adjustments and drilling might be necessary during the installation process.
4. This unit has to be installed against a finished floor and walls.
5. **Please, NOTE! This door has 3/8" out-of-plumb adjustment on each side. Make sure your walls are at right angles.**

## Tools Required



## Detailed Diagrams of Shower Door Components



### Packing List

01	Wall profile	2pcs	11	Flanged anti-water strip	1pc
02	Glass profile	2pcs	12	Big head screw ST4.2×40	8pcs
03	Stationary glass panel	1pc	13	Round head screw ST4.2×10	4pcs
04	Glass door	1pc	14	Decorative cover	4pcs
05	Return glass panel	1pc	15	Wall anchor	8pcs
06	L-Pivot Bar	2pcs	16	Vinyl gasket	4pcs
07	Handle	1pc	17	Hex socket bolt M8×12	4pcs
08	Pivot assembly	2pcs	18	Hex socket bolt M8×25	4pcs
09	Bottom anti-water strip	1pc	19	Decorative washer	4pcs
10	Magnetic strip	2pcs	20	Allen key	1pc

**NOTE:** Unpack your unit carefully and inspect it. Lay it out and identify all parts using parts diagram and part list in your manual as a reference. Before discarding the carton, check for small hardware bags that tend to fall to the bottom of the box. If any parts are damaged or missing, please contact DreamLine™ for replacement.

**NOTE:** Retain these installation instructions for future reference.

## Shower Door Installation

1. Draw the line on the wall according to your Shower Enclosure model size.  
Place the **Wall profiles (01)** onto the Shower base or threshold against the finished wall and level it vertically.

See Fig. 1 for details.

Enclosure assembly measurements:

Model No.	W1	W2
SHEN-GL1101-343410	33 5/8"	33 5/8"
SHEN-GL1101-324610	31 5/8"	45 5/8"
SHEN-GL1101-344610	33 5/8"	45 5/8"
SHEN-GL1101-345810	33 5/8"	57 5/8"

**Note:** Make sure the **Wall profiles** are absolutely vertical.

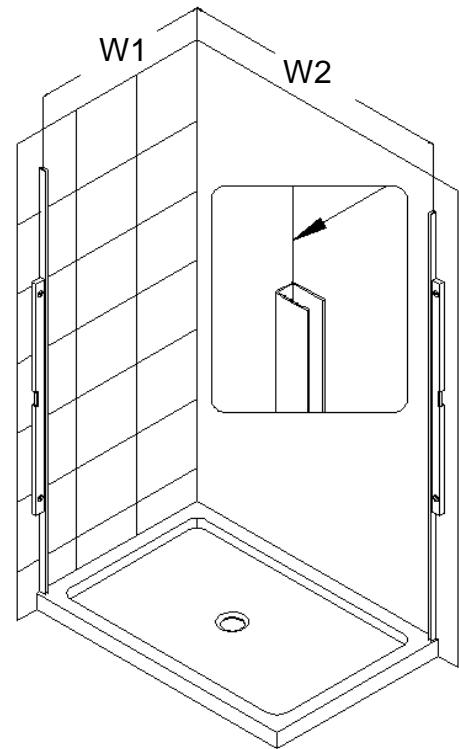


Fig. 1

2. Mark the drilling holes on the wall through the predrilled holes in the **Wall profile (01)** and drill the holes in the wall using  $\text{Ø } 5/16''$  drill bit and insert the **Wall anchor (15)**.  
Run a silicone bead along the holes and around the holes on the wall.  
Attach the **Wall profile** to the wall using **Big head screw ST4.2×40 (12)**.

See Fig. 2 for details

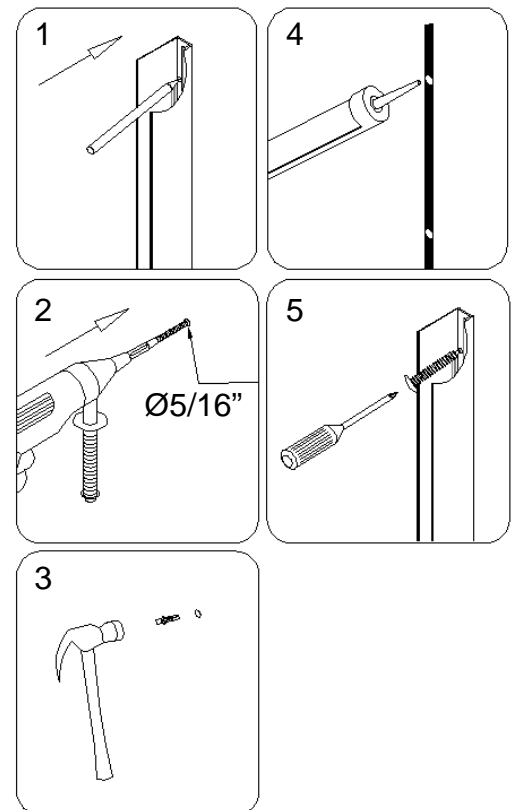


Fig. 2

3. Apply clear silicone along the inner channel of the **Glass profile (02)** and push the **Return glass panel (05)** inside the channel.  
Slide the **Return glass panel** assembly into the groove of the **Wall (01)**.

**NOTE:** The small holes on the **Return glass panel** should be away from the wall.

**NOTE:** If you have difficulty sliding the Glass profile over the Stationary glass, you can slightly tap on the Glass profile with a rubber mallet and a piece of wood. Please do not strike directly on the profile or on the edge of the glass panel.

See Fig. 3 & 4 for details.

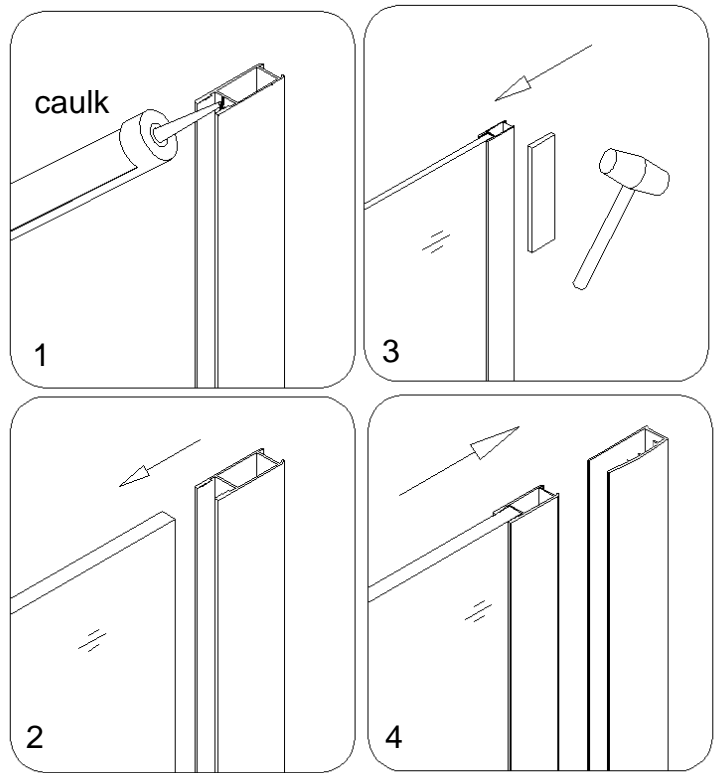


Fig. 3

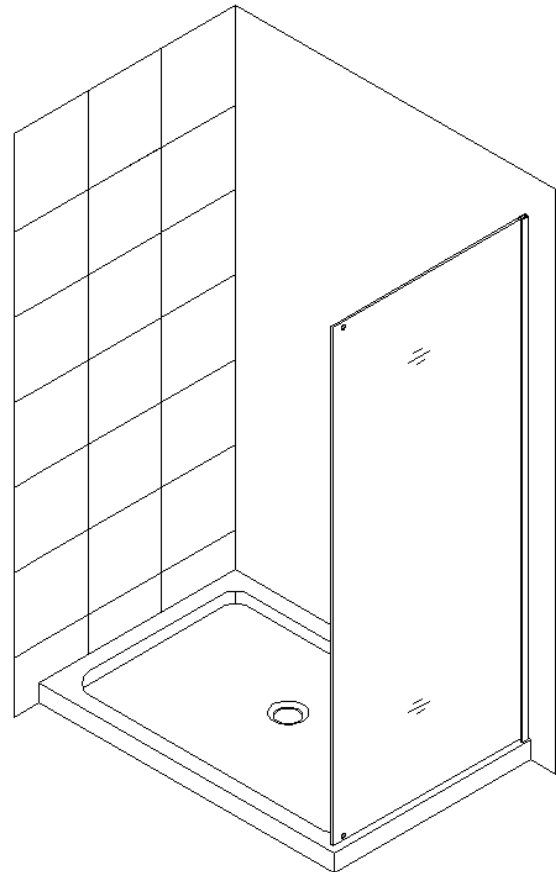


Fig. 4

4. Follow Step #3 for **Stationary glass panel (03)** installation.

See Fig. 5 for details.

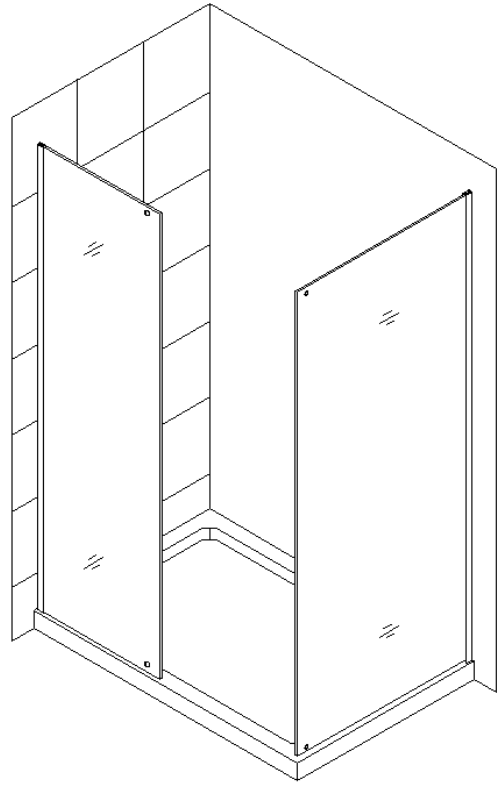


Fig. 5

5. Attach top and bottom **L-Pivot bars (06)** to the **Stationary glass panel (03)** and **Return glass panel (05)** using clear **Vinyl gasket (16)**, **Decorative washers (19)** and **Hex socket bolts M8×25 (18)**.

Place the clear **Vinyl gasket** between the **L-Pivot bar** and the **Glass panels** to prevent glass to metal connection. Place the **Decorative washer** between the **Hex socket bolts M8×25** and the **Glass panels**.

See Fig. 6 for details.

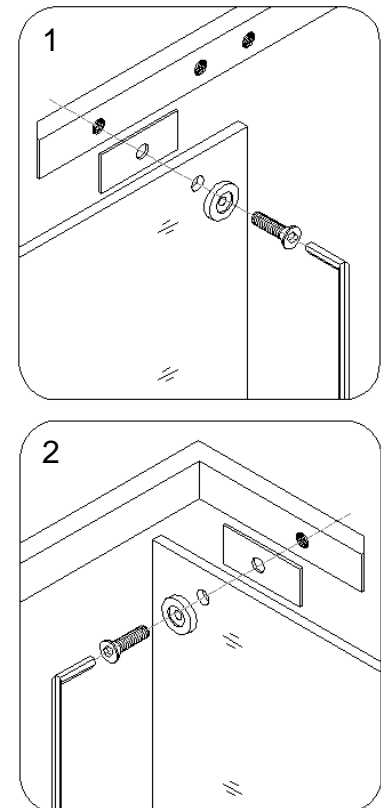


Fig. 6

6. After final adjustments of both **Glass panels**, drill six holes, three on each side, through the predrilled holes in the **Wall profiles (01)** into the first layer of the **Glass profiles (02)** using  $\text{Ø } 1/8''$  drill bit.

Use the **Round head screws ST4.2×10 (13)** to secure the **Glass profiles** inside the **Wall profiles**. Cover the exposed screw head with **Decorative cover (14)**.

See Fig. 7 for details.

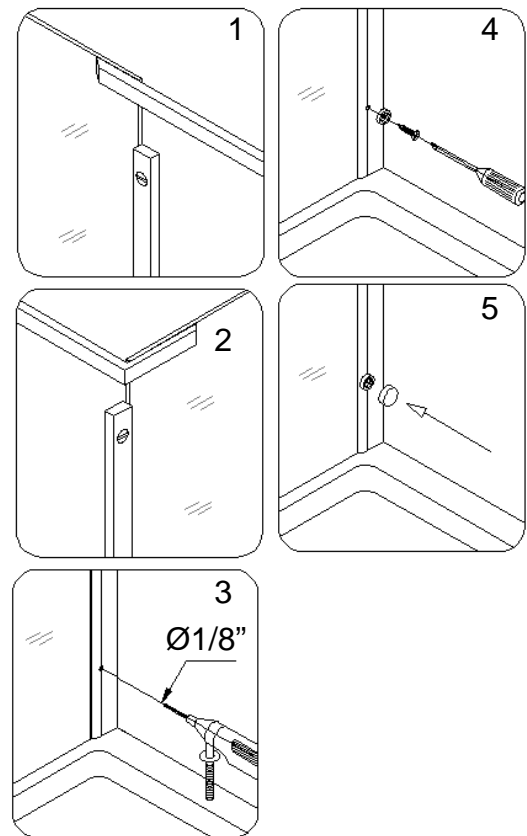


Fig. 7

7. Mount top and bottom **Pivot assemblies (08)** to the **L-Pivot bars (06)** using **Hex socket bolts M8×12 (17)**.

Remove the back fastener from the pivot assemblies. Set the **Glass door (04)** so the holes are aligned. Make sure the rubber gaskets are in between the glass and the metal parts. Secure the back fastener with the provided bolt.

See Fig. 8 for details.

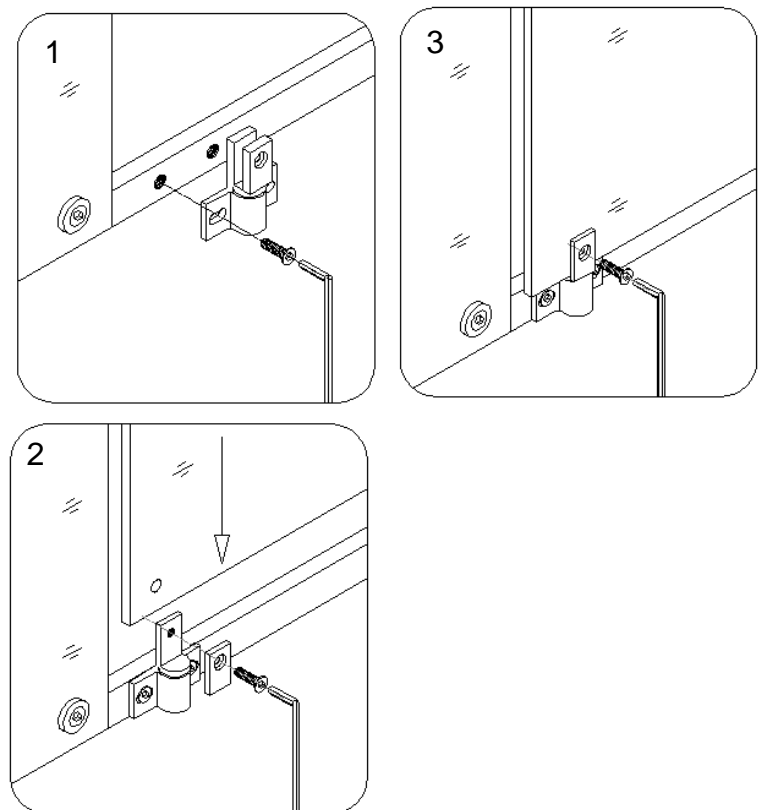


Fig. 8

8. Attach **Flanged anti-water strip (11)** on the **Glass door (04)** pivot side and **Bottom anti-water strip (09)** on the **Glass door** bottom edge.

Attach **Magnetic strip (10)** on the **Glass door** and the **Return glass panel (05)** handle side. Install **Handle (07)** on the **Glass door**.

See Fig. 9 for details.

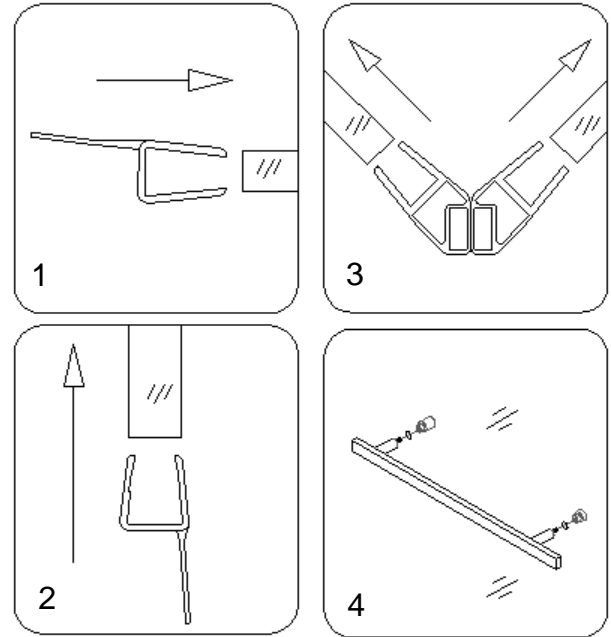


Fig. 9

9. Apply a bead of Kitchen & Bath Waterproof silicone along the bottom edges of the glass panels and L-pivot bar to the shower base connection.

See Fig. 10

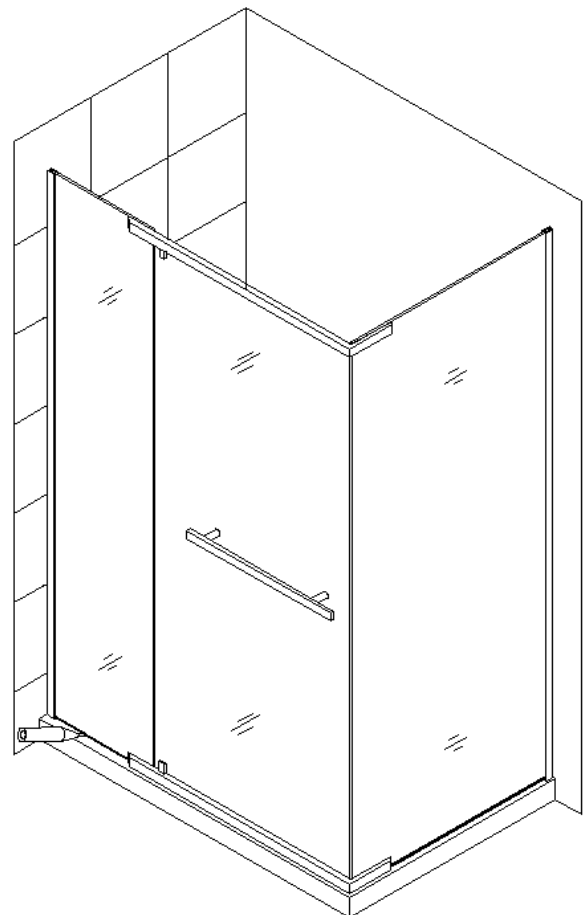


Fig. 10



## **Maintenance**

To insure long lasting life for your acrylic back walls, wipe them off after each use with a soft cloth. To clean the acrylic back walls use non-abrasive sprays or cream based cleaners. Never use abrasive cleansers, metal brushes or scrapers that could scratch or dull the surface.

To insure long lasting life for your glass shower products, wipe them off after each use with a soft cloth. Rinse and wipe of the glass using either soft cloth or squeegee to prevent soap buildup. Never use abrasive cleaners and cleaning products that contain scoring agent because this may scratch the surface. Never use bristle brushes or abrasive sponges.

To assure a long lasting finish wipe off the metal parts after each use with a soft cloth. Do not use abrasive cleaners or cleaning products containing ammonia, bleach or acid. If accidentally used, rinse the surface as soon as possible to prevent finish peeling or corrosion. After cleaning the shiny finishes, rinse thoroughly and wipe dry with soft cloth. Clean stainless steel surfaces at least once a week. When applying stainless steel cleaner or polish, work with (not across) the grain. Never use abrasive sponge or cloth, steel wool or wired brushes.



TEL: [866-731-2244](tel:866-731-2244)

FAX: [866-227-1533](tel:866-227-1533)

[WWW.BATHAUTHORITY.COM](http://WWW.BATHAUTHORITY.COM)

For more information on [DreamLine™ Shower Enclosures](http://www.BathAuthority.com) please visit [www.BathAuthority.com](http://www.BathAuthority.com)