

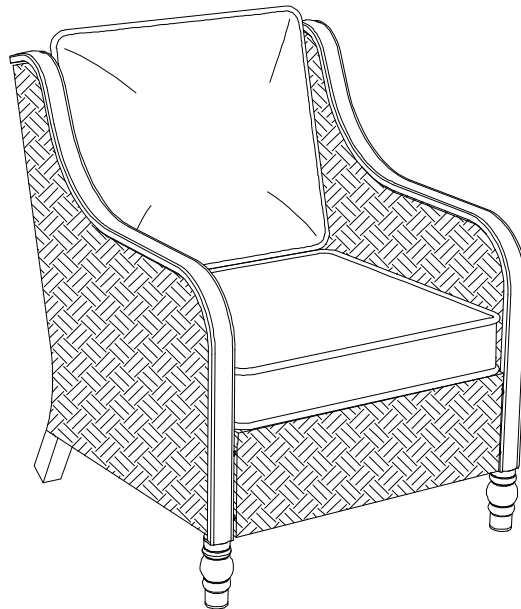
Item# 1004 415 335/ 1004 250 141  
Model# A211004300

# HAMPTON BAY<sup>®</sup>

## USE AND CARE GUIDE

---

### WINDSOR LOUNGE CHAIR



FOR QUICK &  
EASY ASSEMBLY  
FIND 3D INSTRUCTIONS  
FOR THIS PRODUCT IN

**BILT.**<sup>®</sup>

DOWNLOAD THE FREE APP



Questions, problems, missing parts? Before returning to the store,  
call Hampton Bay Customer Service  
8 a.m. - 7 p.m., EST, Monday-Friday, 9 a.m. - 6 p.m., EST, Saturday

**1-800-841-1350**

**HAMPTONBAY.COM**

---

#### THANK YOU

*We appreciate the trust and confidence you have placed in Hampton Bay through the purchase of this Chair. We strive to continually create quality products designed to enhance your home. Visit us online to see our full line of products available for your home improvement needs. Thank you for choosing Hampton Bay!*

# Table of Contents

Table of Contents.....	2	Hardware Included.....	3
Important Safety Instructions.....	2	Package Contents.....	4
Warranty.....	2	Assembly.....	5
Pre-Assembly.....	3	Care and Cleaning.....	8
Planning Assembly.....	3		

# Important Safety Instructions

## SAVE THESE INSTRUCTIONS

### READ ALL INSTRUCTIONS BEFORE USE

To reduce the risk of injury to persons:

1. Close supervision is necessary when this furnishing is used by or near children, or disabled persons, if applicable.
2. Use this furnishing only for its intended use as described in these instructions. Do not use attachments not recommended by the manufacturer.
3. Some parts may contain sharp edges. Wear protective gloves.
4. Please count the parts before assembly.
5. Set up your furniture properly. Ensure that all parts are assembled properly and fully tightened as per instructions. When placing in the desired location, ensure that all legs are resting on the same surface. You may adjust the leg levelers as required to ensure that the item stands in a level position.

6. Examine occasionally to ensure that there are no loose parts. If loose parts are found, they must be re-tightened fully before additional use.



**DANGER:** Keep children and parts away from the assembly area.



**WARNING:** To avoid destroying the finish, please handle the surface by using a soft cloth instead of your bare hands. Due to the nature of iron, surface oxidation (rusting) will occur if these protective coatings are scratched. We recommend immediate touch-up with rust inhibiting paint (not included).



**CAUTION:** Do NOT over tighten any of the bolts or nuts.

# Warranty

## 3 YEAR WARRANTY

### WHAT IS COVERED

This limited warranty is extended to the original purchaser and applies to defects in materials and workmanship of your item provided the item is maintained with care and used only for personal, residential purposes. The item is warranted to be free from defects in material or workmanship for a period of 3 years.

### WHAT IS NOT COVERED

We do not reimburse for transportation of delivery costs, or compensate the individual or any outside party for assembling or disassembling the product.

Contact the Customer Service Team at 1-800-841-1350 or visit [www. Hamptonbay.com](http://www.Hamptonbay.com).

Production Number: 2022200026

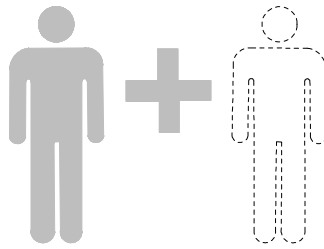
# Pre-Assembly

## PLANNING ASSEMBLY

Before beginning assembly of this product, make sure all parts are present. Compare parts with the Hardware Included and Package Contents lists. If any part is missing or damaged, do not attempt to assemble the product. Contact customer service for replacement parts.

## IMPORTANT

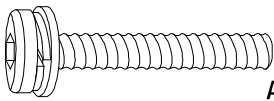
This assembly requires one to two person. Approximate assembly time: 0.5 hour.



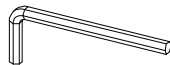
## HARDWARE INCLUDED



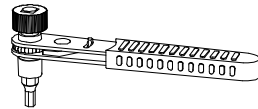
NOTE: Hardware not shown to actual size.



AA



BB



CC

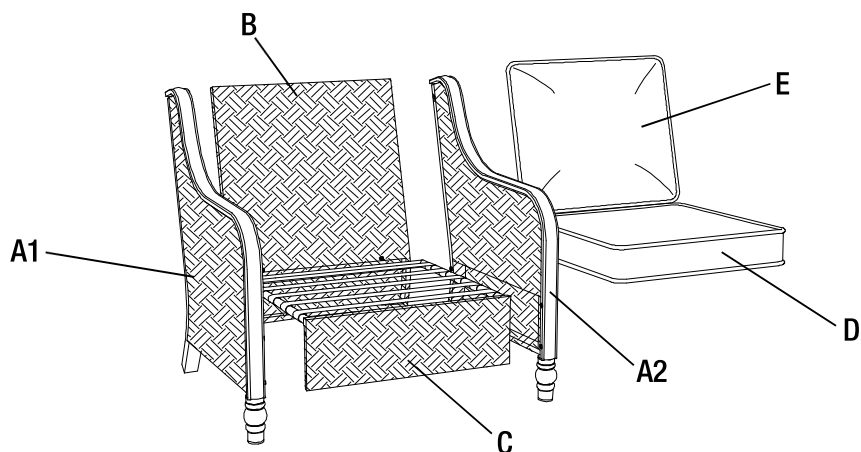
Part	Part Number	Description	Quantity
AA	H100010032	Bolt M6*40 with Washer	10+1
BB	H090030002	Wrench M6	1
CC	H090030009	Ratchet Wrench M6	1



NOTE: 1pc of Ratchet Wrench per Set

## Pre-Assembly (continued)

### PACKAGE CONTENTS



Part	Part Number	Description	Quantity
A1	P00140030701	Armrest (Right)	1
A2	P00140030801	Armrest (Left)	1
B	P00500057401	Back	1
C	P00160023201	Seat	1
D	P001800043	Cushion	1
E	P001700068	Back Cushion	1
F	P005300055	Leveling Feet (Pre-assembled on Front Leg A1/A2)	2
G	P005300056	Leveling Feet (Pre-assembled on Rear Leg A1/A2)	2

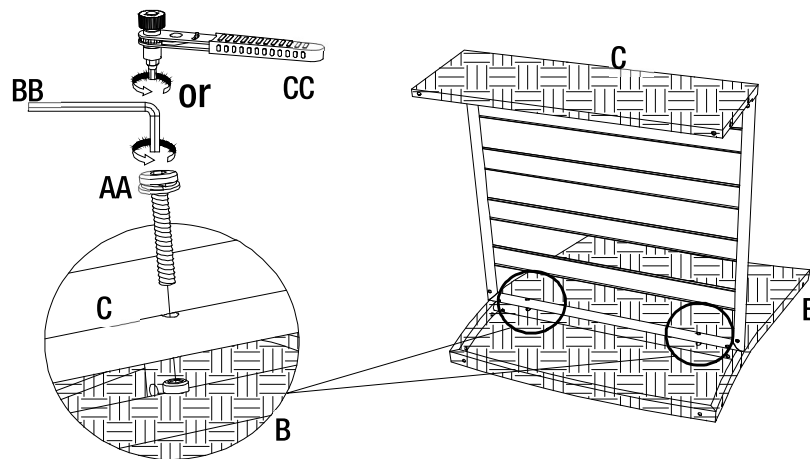
# Assembly

## 1 Attaching the Back and Seat

- Connect the back (B) with seat (C) using 2 bolts (AA). Use the wrench (BB) or ratchet wrench (CC) to loosely attach the bolts. **Only** attach bolt with approx 3-5 turns (approx 30%).



**NOTE:** Do not tighten bolts more than 3-5 turns or 30% since this will prevent all holes from lining up.

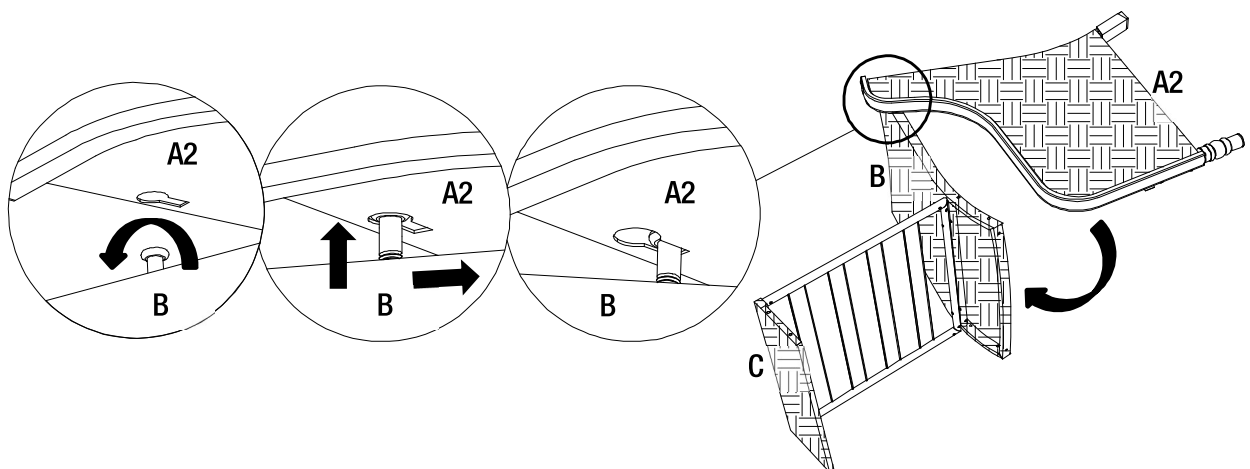


## 2 Attaching the Armrest (Left)

- Insert the bolt on side of back (B) in the hole on the armrest (A2). Move the armrest (A2) backwards and adjust the angle if you find it difficult to insert in the hole.
- Ensure bolt slides down the bottom of hole on armrest (A2). Swivel the armrest (A2) forward to be level with the seat (C).



**NOTE:** Adjust the angle of the armrest if you find difficult to insert the hole.



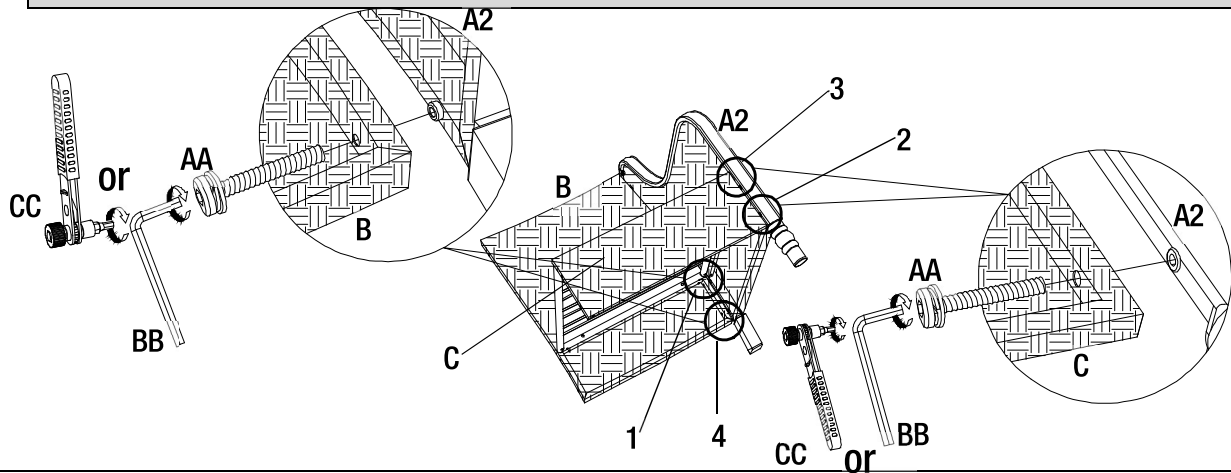
## Assembly (continued)

### 3 Attaching the Armrest (Left)

- Align the back (B) with the mounting holes in the armrest (A2) using bolts (AA). Use the wrench (BB) or ratchet wrench (CC) to loosely attach the bolts.
- It is recommended to attach bolts in order outlined by 1-4 in illustration. Connect the seat (C) with the armrest (A2) using bolts (AA). Use the wrench (BB) or ratchet wrench (CC) to loosely attach the bolts. **Only attach bolt with approx 3-5 turns (approx 30%).**



**NOTE:** Do not fully tighten any bolts. If having difficulty aligning holes, loosen bolts already installed and adjust the armrest until holes line up.

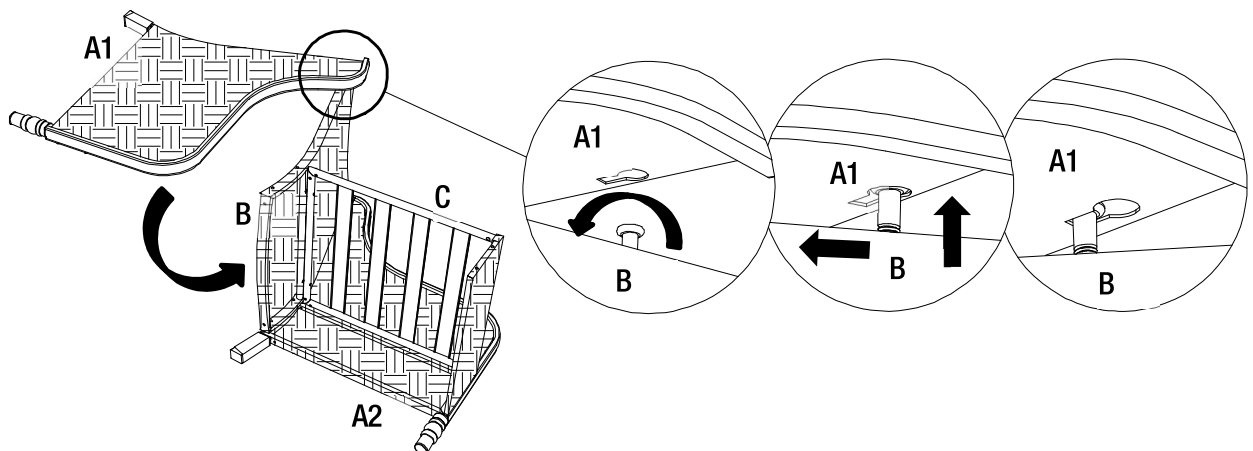


### 4 Attaching the Armrest (Right)

- Insert the bolt on side of back (B) in the hole on the armrest (A1). Move the armrest (A1) backwards and adjust the angle if you find it difficult to insert in the hole.
- Ensure bolt slides down to the bottom of the hole in armrest (A1). Swivel the armrest (A1) forward to be level with the seat (C).



**NOTE:** Adjust the angle of the armrest if you find difficult to insert the hole.



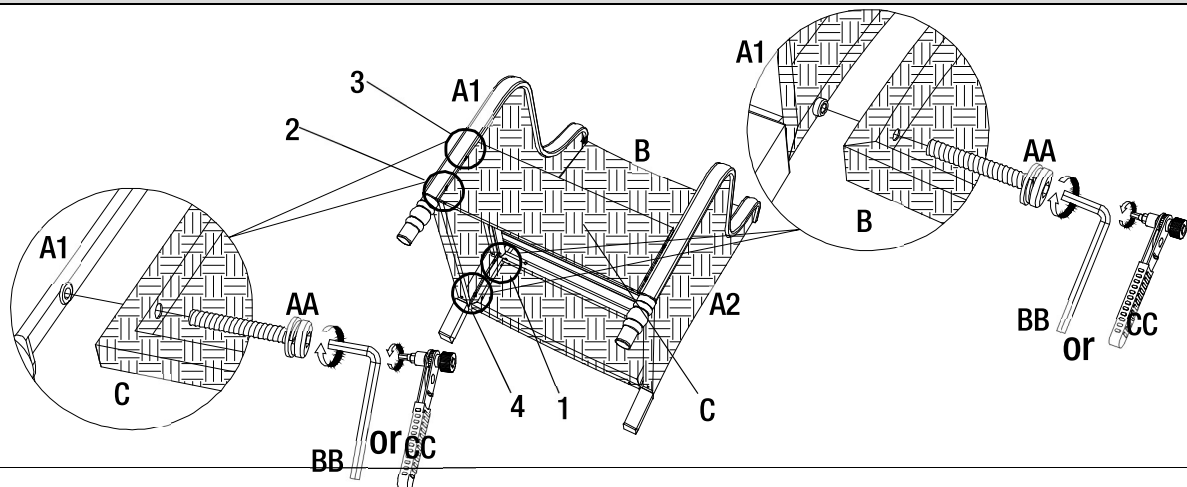
## Assembly (continued)

### 5 Attaching the Armrest (Right)

- Align the back (B) with the mounting holes in the armrest (A1), connect them using bolts (AA). Use the wrench (BB) or ratchet wrench (CC) to loosely attach the bolts. **Only attach bolt with approx 3-5 turns (approx 30%).**
- It is recommended to attach bolts in order outlined by 1-4 in illustration. Connect the seat (C) with the armrest (A1) using bolts (AA). Use the wrench (BB) or ratchet wrench (CC) to loosely attach the bolts.
- Tighten all the bolts. The tightening process should start with the seat bolts, **then tighten one bolt on the right side and one bolt on left side until all bolts are tightened.**

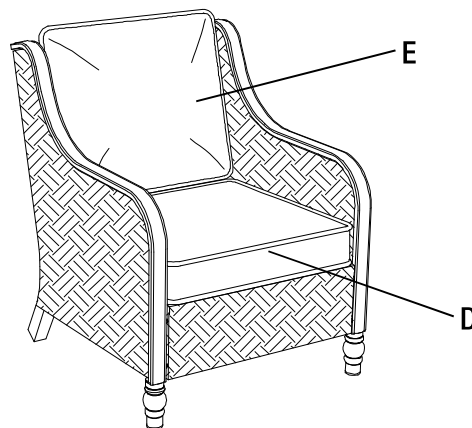


NOTE: If having difficulty aligning holes, loosen bolts already installed and adjust the armrest until holes line up.



### 6 Placing the Cushions

- Place the cushion (D) and back cushion (E) on the chair to complete the assembly.



## Care and Cleaning

---

- Before using, clean the Chair completely with a soft dry towel.
- Do not use harsh abrasives or cleaners.
- When not in use, store in a cool, dry area.



# HAMPTON BAY<sup>®</sup>

Questions, problems, missing parts? Before returning to the store,  
call Hampton Bay Customer Service  
8 a.m. - 7 p.m., EST, Monday-Friday, 9 a.m. - 6 p.m., EST, Saturday

**1-800-841-1350**

**HAMPTONBAY.COM**

Retain this manual for future use.

For certification use only

Factory Model# A211004300

Item# 1004 415 335/ 1004 250 146

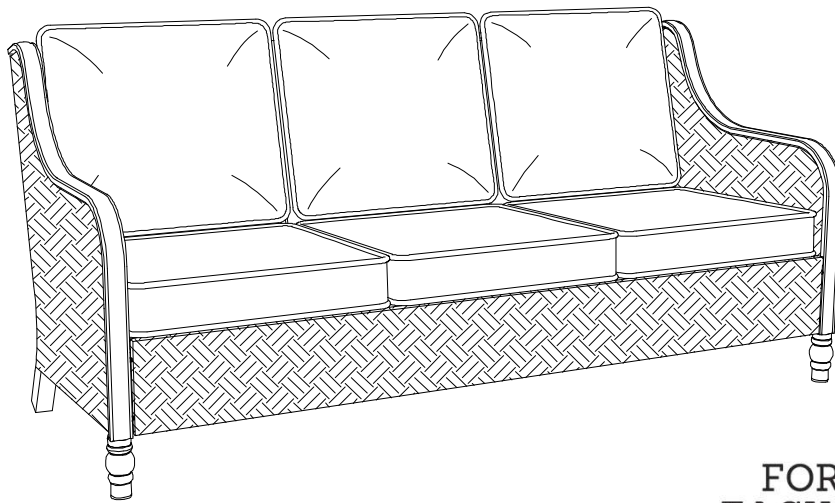
Model# A211004200

# HAMPTON BAY<sup>®</sup>

## USE AND CARE GUIDE

---

### WINDSOR SOFA



FOR QUICK &  
EASY ASSEMBLY  
FIND 3D INSTRUCTIONS  
FOR THIS PRODUCT IN

**BILT.**<sup>®</sup>

DOWNLOAD THE FREE APP



Questions, problems, missing parts? Before returning to the store,  
call Hampton Bay Customer Service  
8 a.m. - 7 p.m., EST, Monday-Friday, 9 a.m. - 6 p.m., EST, Saturday

**1-800-841-1350**

**HAMPTONBAY.COM**

---

#### THANK YOU

*We appreciate the trust and confidence you have placed in Hampton Bay through the purchase of this Sofa. We strive to continually create quality products designed to enhance your home. Visit us online to see our full line of products available for your home improvement needs. Thank you for choosing Hampton Bay!*

# Table of Contents

Table of Contents.....	2	Hardware Included.....	3
Important Safety Instructions.....	2	Package Contents .....	4
Warranty .....	2	Assembly .....	5
Pre-Assembly .....	3	Care and Cleaning .....	9
Planning Assembly.....	3		

# Important Safety Instructions

## SAVE THESE INSTRUCTIONS

## READ ALL INSTRUCTIONS BEFORE USE

To reduce the risk of injury to persons:

1. Close supervision is necessary when this furnishing is used by or near children, or disabled persons, if applicable.
2. Use this furnishing only for its intended use as described in these instructions. Do not use attachments not recommended by the manufacturer.
3. Some parts may contain sharp edges. Wear protective gloves.
4. Please count the parts before assembly.
5. Set up your furniture properly. Ensure that all parts are assembled properly and fully tightened as per instructions. When placing in the desired location, ensure that all legs are resting on the same surface. You may adjust the leg levelers as required to ensure that the item stands in a level position.

6. Examine occasionally to ensure that there are no loose parts. If loose parts are found, they must be re-tightened fully before additional use.



**DANGER:** Keep children and parts away from the assembly area.



**WARNING:** To avoid destroying the finish, please handle the surface by using a soft cloth instead of your bare hands. Due to the nature of iron, surface oxidation (rusting) will occur if these protective coatings are scratched. We recommend immediate touch-up with rust inhibiting paint (not included).



**CAUTION:** Do NOT over tighten any of the bolts or nuts.

# Warranty

## 3 YEAR WARRANTY

### WHAT IS COVERED

This limited warranty is extended to the original purchaser and applies to defects in materials and workmanship of your item provided the item is maintained with care and used only for personal, residential purposes. The item is warranted to be free from defects in material or workmanship for a period of 3 years.

### WHAT IS NOT COVERED

We do not reimburse for transportation of delivery costs, or compensate the individual or any outside party for assembling or disassembling the product.

Contact the Customer Service Team at 1-800-841-1350 or visit [www.Hamptonbay.com](http://www.Hamptonbay.com).

Production Number: 2022200026

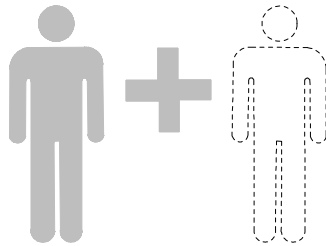
# Pre-Assembly

## PLANNING ASSEMBLY

Before beginning assembly of this product, make sure all parts are present. Compare parts with the Hardware Included and Package Contents lists. If any part is missing or damaged, do not attempt to assemble the product. Contact customer service for replacement parts.

## IMPORTANT

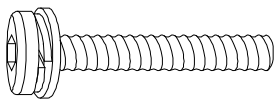
This assembly requires one to two person. Approximate assembly time: 0.5 hour.



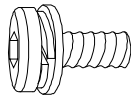
## HARDWARE INCLUDED



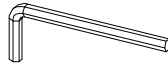
NOTE: Hardware not shown to actual size.



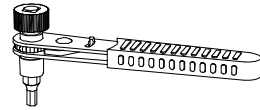
AA



BB



CC



DD

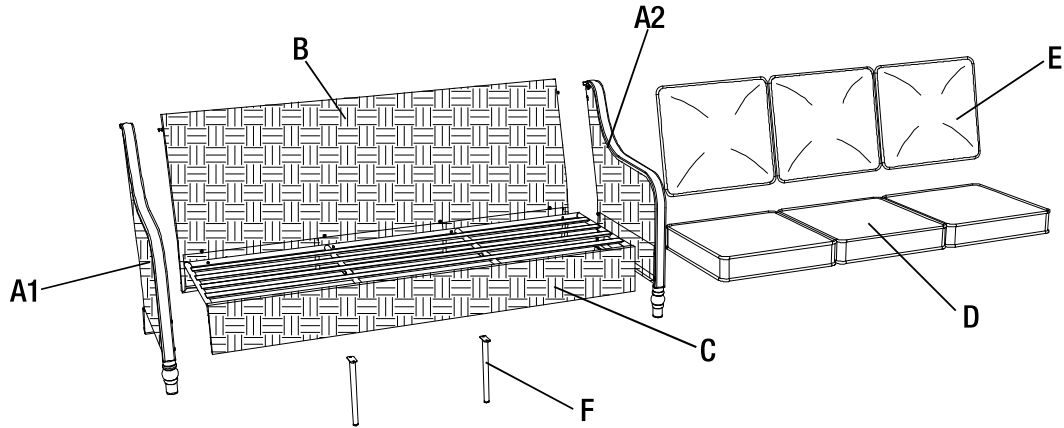
Part	Part Number	Description	Quantity
AA	H100010032	Bolt M6*40 with Washer	12+1
BB	H100010006	Bolt M6*15 with Washer	4+1
CC	H090030002	Wrench M6	1
DD	H090030009	Ratchet Wrench M6	1



NOTE: 1pc of Ratchet Wrench per Set

# Pre-Assembly (continued)

## PACKAGE CONTENTS



Part	Part Number	Description	Quantity
A1	P00140030701	Armrest (Right)	1
A2	P00140030801	Armrest (Left)	1
B	P00500057501	Back	1
C	P00160023301	Seat	1
D	P001800043	Cushion	3
E	P001700068	Back Cushion	3
F	P005400170	Support Leg	2
G	P005300055	Leveling Feet (Pre-assembled on Front Leg A1/A2)	2
H	P005300056	Leveling Feet (Pre-assembled on Rear Leg A1/A2)	2
I	P005300058	Leveling Feet (Pre-assembled on F)	2

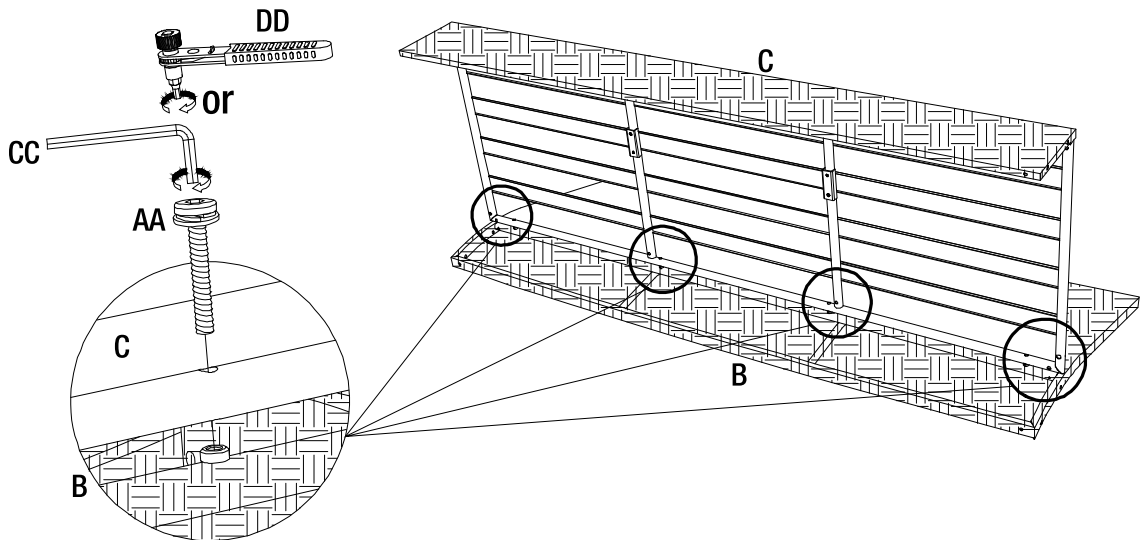
# Assembly

## 1 Attaching the Back and Seat

- Connect the back (B) with seat (C) using bolts (AA). Use the wrench (CC) or ratchet wrench (DD) to loosely attach the bolts.



**NOTE:** Do not fully tighten the bolts.

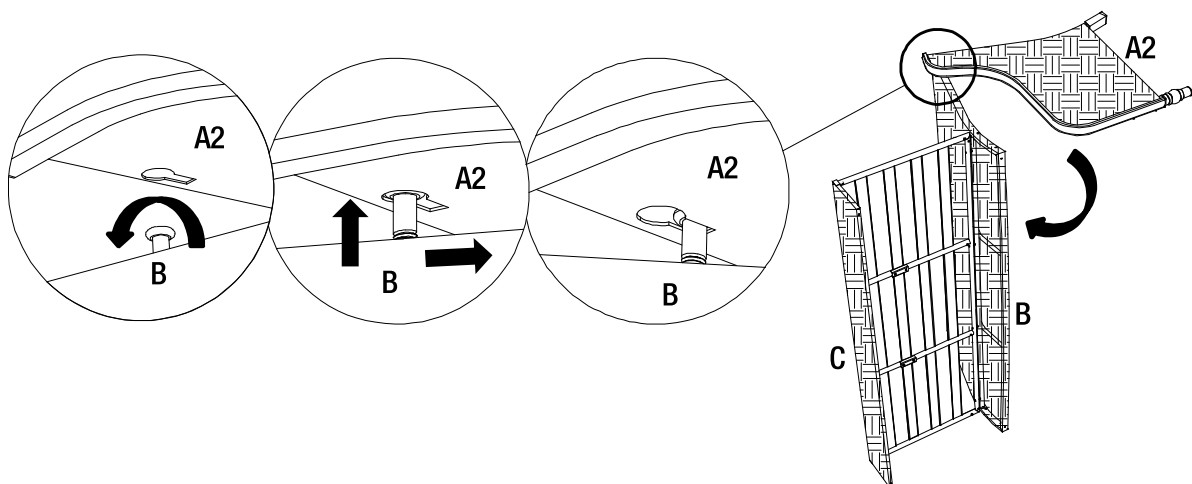


## 2 Attaching the Armrest (Left)

- Insert the bolt on side of back (B) in the hole on the armrest (A2). Move the armrest (A2) backwards and adjust the angle if you find it difficult to insert the hole.
- Ensure bolt slide down to the bottom of the hole in armrest (A2). Swivel the armrest (A2) forward to be level with the seat (C).



**NOTE:** Adjust the angle if you find it difficult to insert the hole.



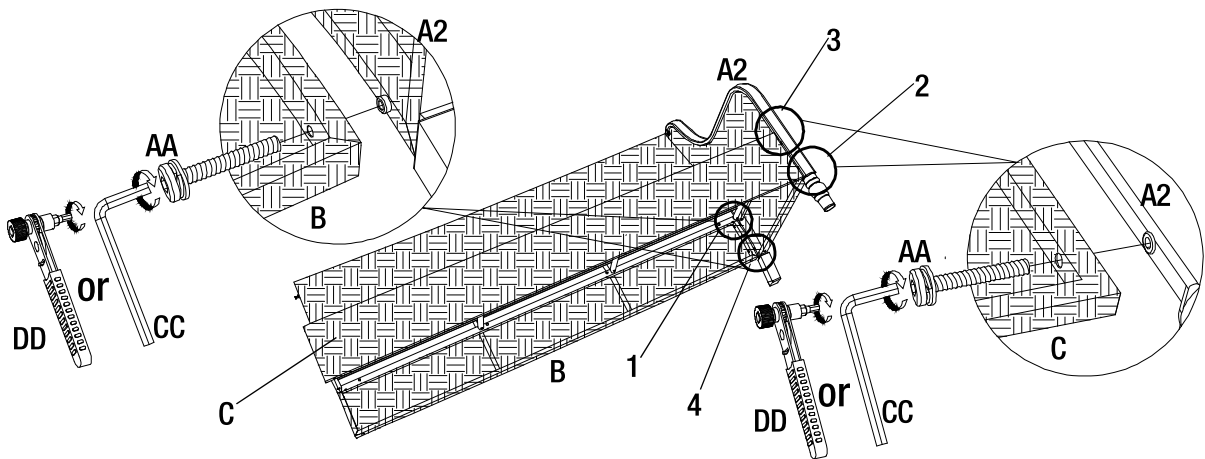
## Assembly (continued)

### 3 Attaching the Armrest (Left)

- Align the back (B) with the mounting holes in the armrest (A2), and connect them using bolts (AA). Use the wrench (CC) or ratchet wrench (DD) to loosely attach the bolts.
- It is recommended to attach bolts in order outlined by 1-4 in illustration. Connect the seat (C) with the armrest (A2) using bolts (AA). Use the wrench (CC) or ratchet wrench (DD) to loosely attach the bolts.



**NOTE:** Do not fully tighten any bolts. If having difficulty aligning holes, loosen bolts already installed and adjust the armrest until holes line up.

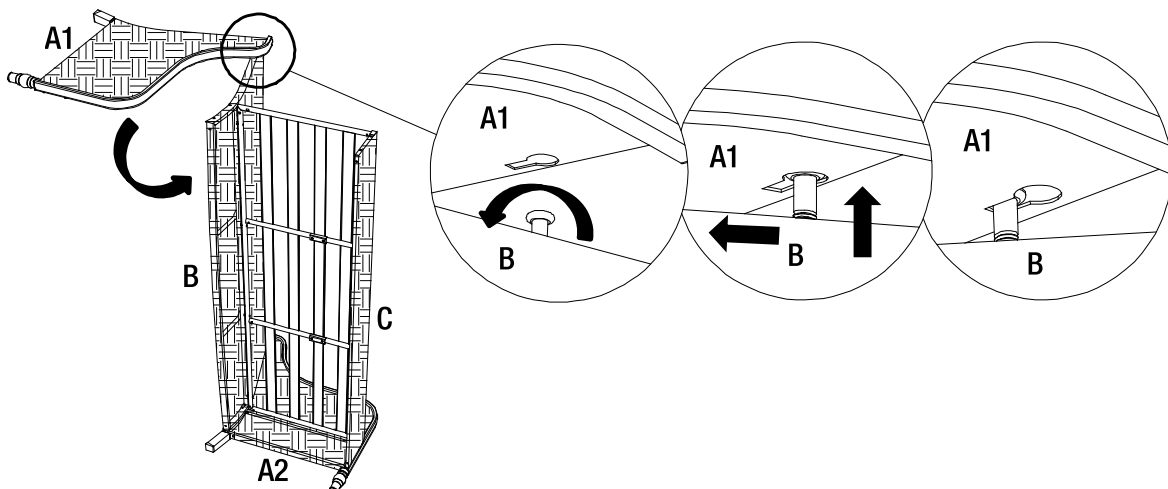


### 4 Attaching the Armrest (Right)

- Insert bolt on side of back (B) in the hole on the armrest (A1). Move the armrest (A1) backwards and adjust the angle if you find it difficult to insert in the hole.
- Ensure bolt slides down to the bottom of the hole in armrest (A1). Swivel the armrest (A1) forward to be level with the seat (C).



**NOTE:** Adjust the angle if you find difficult it difficult to insert into the hole.



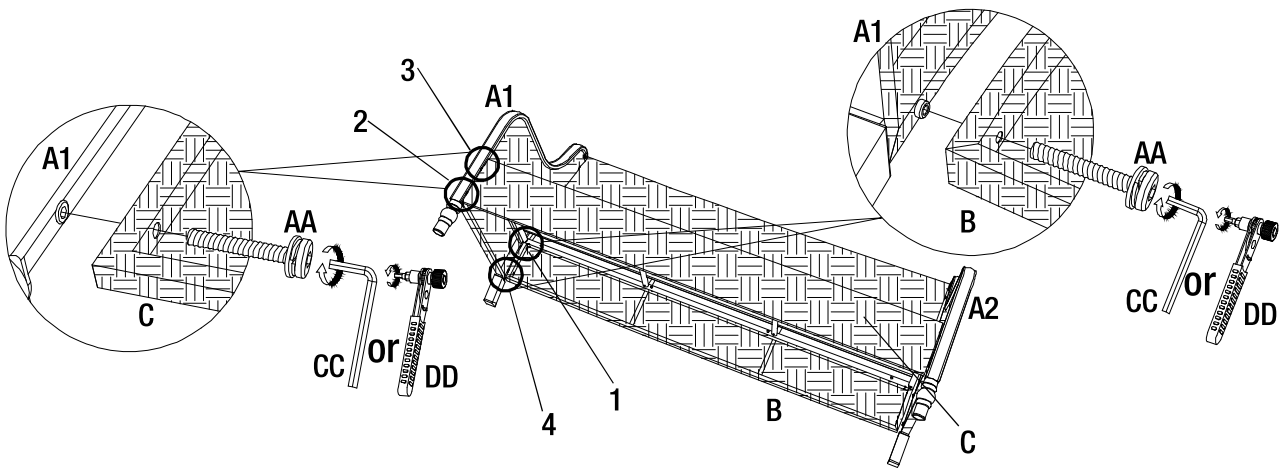
## Assembly (continued)

### 5 Attaching the Armrest (Right)

- Align the back (B) with the mounting holes in the armrest (A1) using bolts (AA). Use the wrench (CC) or ratchet wrench (DD) to loosely attach the bolts.
- It is recommended to attach bolts in order outlined by 1-4 in illustration. Connect the seat (C) with the armrest (A1) using bolts (AA). Use the wrench (CC) or ratchet wrench (DD) to fully attach the all bolts.



**NOTE:** Do not fully tighten any bolts. If having difficulty aligning holes, loosen bolts already installed and adjust the armrest until holes line up.

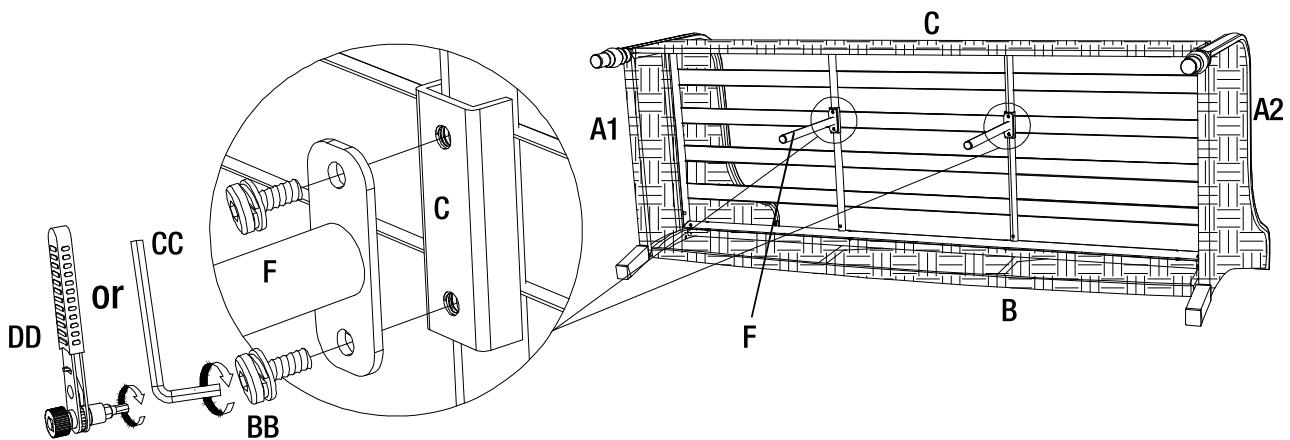


### 6 Attaching the Legs

- Attach the support legs (F) to the assembly seat (C) using bolts (BB). Use the wrench (CC) or ratchet wrench (DD) to fully tighten the all bolts.



**NOTE:** To preserve the finish, place parts on a soft surface.

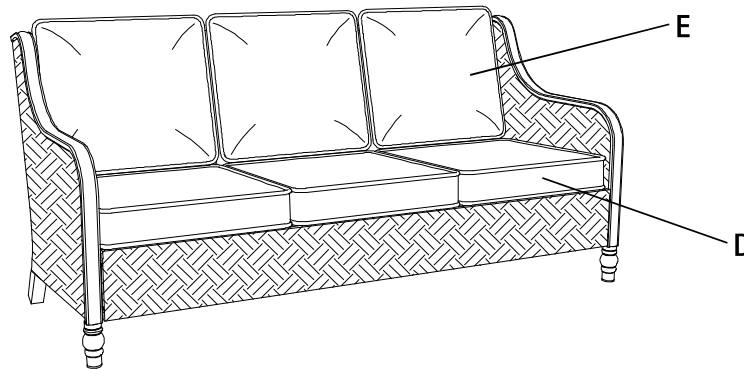




## Assembly (continued)

### 7 Placing the Cushions

- Place the cushion (D) and back cushion (E) on the sofa to complete the assembly.



## Care and Cleaning

---

- Before using, clean the Sofa completely with a soft dry towel.
- Do not use harsh abrasives or cleaners.
- When not in use, store in a cool, dry area.

# HAMPTON BAY®

Questions, problems, missing parts? Before returning to the store,  
call Hampton Bay Customer Service  
8 a.m. - 7 p.m., EST, Monday-Friday, 9 a.m. - 6 p.m., EST, Saturday

**1-800-841-1350**

**HAMPTONBAY.COM**

Retain this manual for future use.

For certification use only
----------------------------

Factory Model# A211004200
---------------------------

Item# 1004 415 335/ 1004 250 549

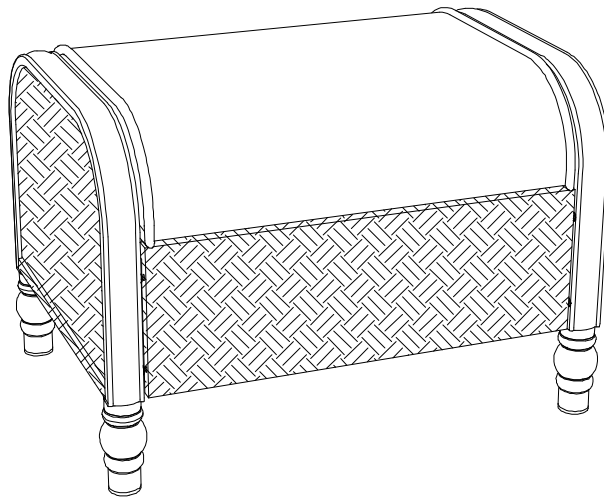
Model# A214000100

# HAMPTON BAY<sup>®</sup>

## USE AND CARE GUIDE

---

### WINDSOR OTTOMAN



FOR QUICK &  
EASY ASSEMBLY  
FIND 3D INSTRUCTIONS  
FOR THIS PRODUCT IN

**BILT.**<sup>®</sup>

DOWNLOAD THE FREE APP



Questions, problems, missing parts? Before returning to the store,  
call Hampton Bay Customer Service  
8 a.m. - 7 p.m., EST, Monday-Friday, 9 a.m. - 6 p.m., EST, Saturday

**1-800-841-1350**

**HAMPTONBAY.COM**

---

#### THANK YOU

*We appreciate the trust and confidence you have placed in Hampton Bay through the purchase of this Ottoman. We strive to continually create quality products designed to enhance your home. Visit us online to see our full line of products available for your home improvement needs. Thank you for choosing Hampton Bay!*

# Table of Contents

Table of Contents.....	2	Hardware Included.....	3
Important Safety Instructions.....	2	Package Contents .....	4
Warranty .....	2	Assembly .....	5
Pre-Assembly .....	3	Care and Cleaning .....	7
Planning Assembly.....	3		

# Important Safety Instructions

## SAVE THESE INSTRUCTIONS

### READ ALL INSTRUCTIONS BEFORE USE

To reduce the risk of injury to persons:

1. Close supervision is necessary when this furnishing is used by or near children, or disabled persons, if applicable.
2. Use this furnishing only for its intended use as described in these instructions. Do not use attachments not recommended by the manufacturer.
3. Some parts may contain sharp edges. Wear protective gloves.
4. Please count the parts before assembly.
5. Set up your furniture properly. Ensure that all parts are assembled properly and fully tightened as per instructions. When placing in the desired location, ensure that all legs are resting on the same surface. You may adjust the leg levelers as required to ensure that the item stands in a level position.

6. Examine occasionally to ensure that there are no loose parts. If loose parts are found, they must be re-tightened fully before additional use.



**DANGER:** Keep children and parts away from the assembly area.



**WARNING:** To avoid destroying the finish, please handle the surface by using a soft cloth instead of your bare hands. Due to the nature of iron, surface oxidation (rusting) will occur if these protective coatings are scratched. We recommend immediate touch-up with rust inhibiting paint (not included).



**CAUTION:** Do NOT over tighten any of the bolts or nuts.

# Warranty

## 3 YEAR WARRANTY

### WHAT IS COVERED

This limited warranty is extended to the original purchaser and applies to defects in materials and workmanship of your item provided the item is maintained with care and used only for personal, residential purposes. The item is warranted to be free from defects in material or workmanship for a period of 3 years.

### WHAT IS NOT COVERED

We do not reimburse for transportation of delivery costs, or compensate the individual or any outside party for assembling or disassembling the product.

Contact the Customer Service Team at 1-800-841-1350 or visit [www. Hamptonbay.com](http://www.Hamptonbay.com).

Production Number: 2022200026

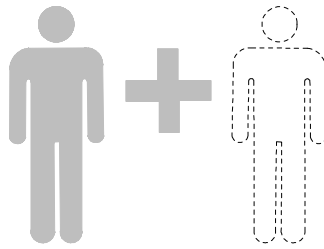
# Pre-Assembly

## PLANNING ASSEMBLY

Before beginning assembly of this product, make sure all parts are present. Compare parts with the Hardware Included and Package Contents lists. If any part is missing or damaged, do not attempt to assemble the product. Contact customer service for replacement parts.

## IMPORTANT

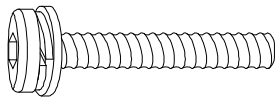
This assembly requires one person. Approximate assembly time: 15~20 minutes.



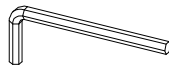
## HARDWARE INCLUDED



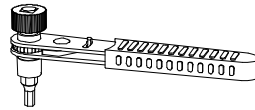
NOTE: Hardware not shown to actual size.



AA



BB



CC

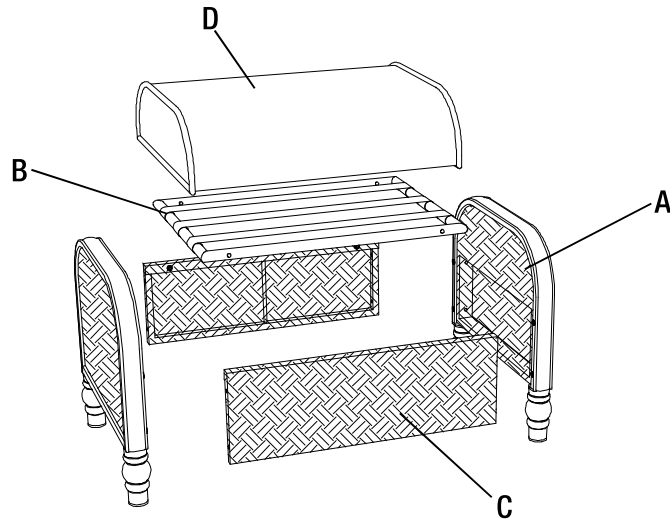
Part	Part Number	Description	Quantity
AA	H100010032	Bolt M6*40 with Washer	12+1
BB	H090030002	Wrench M6	1
CC	H090030009	Ratchet Wrench M6	1



NOTE: 1pc of Ratchet Wrench per Set

## Pre-Assembly (continued)

### PACKAGE CONTENTS



Part	Part Number	Description	Quantity
A	P00140032101	Side Panel	2
B	P001600089	Seat	1
C	P00380056801	Front/Back Panel	2
D	P001800045	Cushion	1
E	P005300055	Leveling Feet (Pre-assembled on A)	4

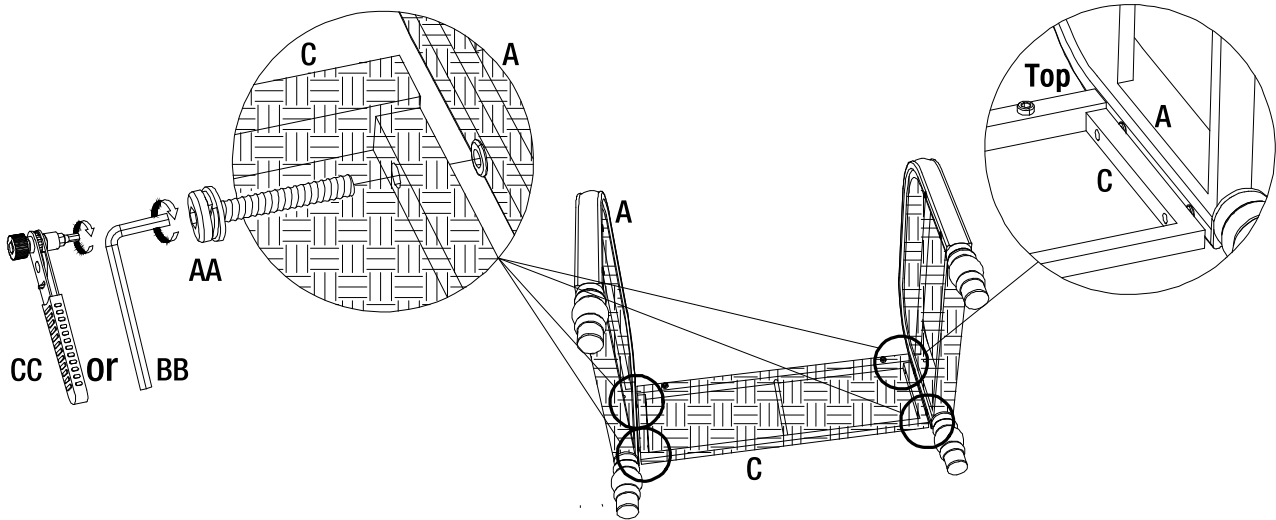
# Assembly

## 1 Attaching the Back Panel and Side Panel

- Connect the back panel (C) and the side panels (A) using bolts (AA). Use the wrench (BB) or ratchet wrench (CC) to loosely tighten the bolts.



**NOTE:** Do not fully tighten the bolts, please pay attention to the direction of the panels (C).

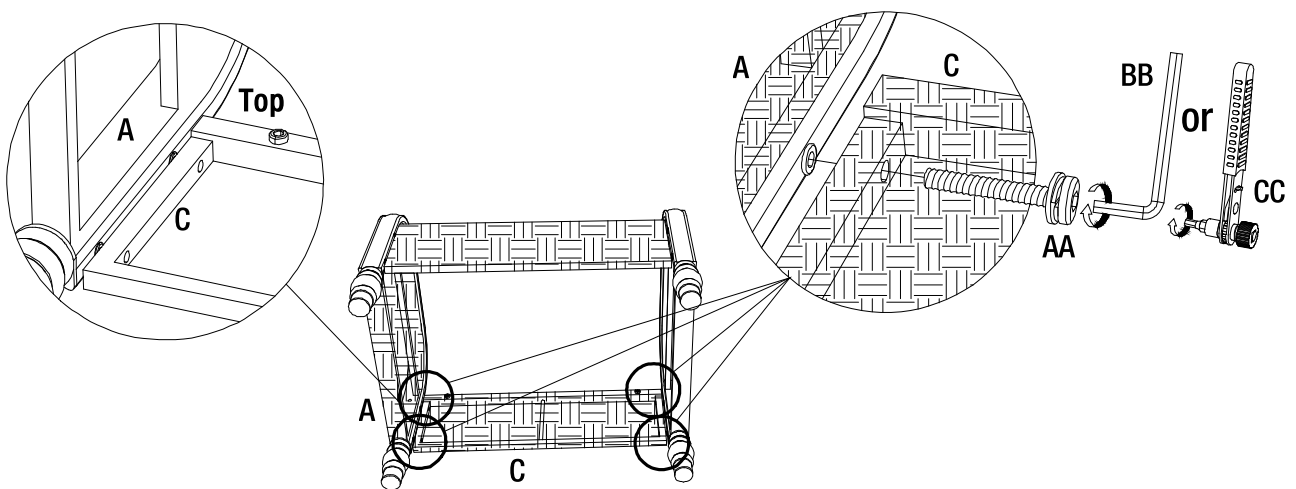


## 2 Attaching the Front Panel

- Connect the front panel (C) and the side panels (A) using bolts (AA). Use the wrench (BB) or ratchet wrench (CC) to loosely tighten the bolts.



**NOTE:** To preserve the finish, place parts on a soft surface, please pay attention to the direction of the panels (C).





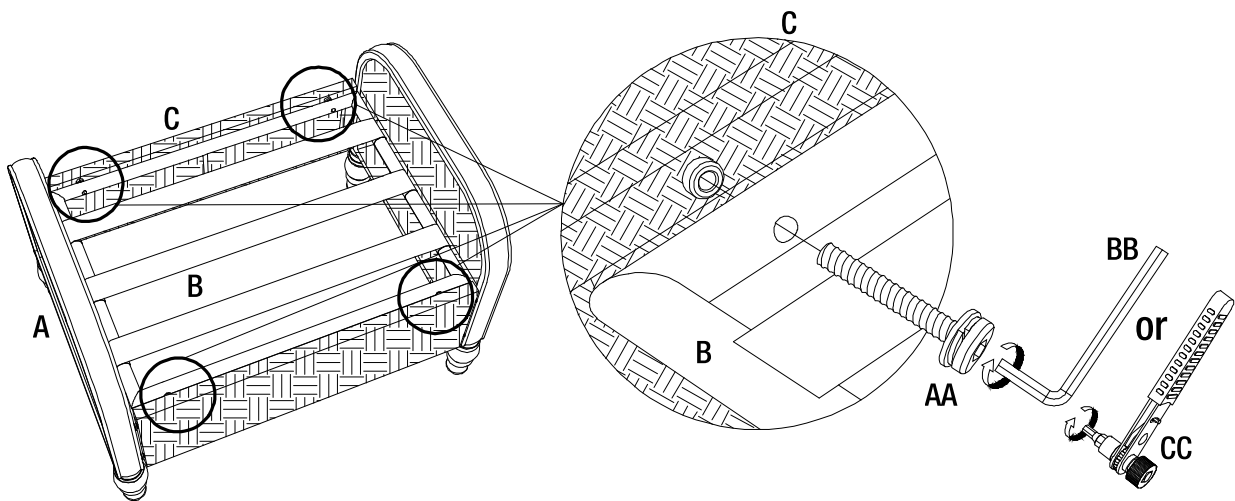
## Assembly (continued)

### 3 Attaching the Seat

- Attach the seat (B) to the assembly side panels (C) using bolts (AA).
- Use the wrench (BB) or ratchet wrench (CC) to fully tighten the all bolts.

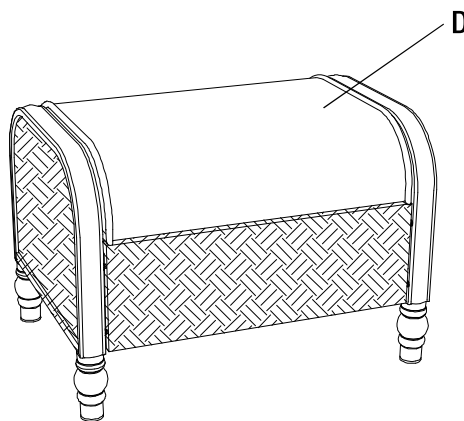


**NOTE:** To preserve the finish, place parts on a soft surface.



### 4 Placing the Cushion

- Place the cushion (D) on the seat to complete the assembly.



## Care and Cleaning

---

- Before using, clean the Ottoman completely with a soft dry towel.
- Do not use harsh abrasives or cleaners.
- When not in use, store in a cool, dry area.

# HAMPTON BAY®

Questions, problems, missing parts? Before returning to the store,  
call Hampton Bay Customer Service  
8 a.m. - 7 p.m., EST, Monday-Friday, 9 a.m. - 6 p.m., EST, Saturday

**1-800-841-1350**

**HAMPTONBAY.COM**

Retain this manual for future use.

For certification use only
----------------------------

Factory Model# A214000100
---------------------------

Item# 1004 415 335/ 1004 250 554

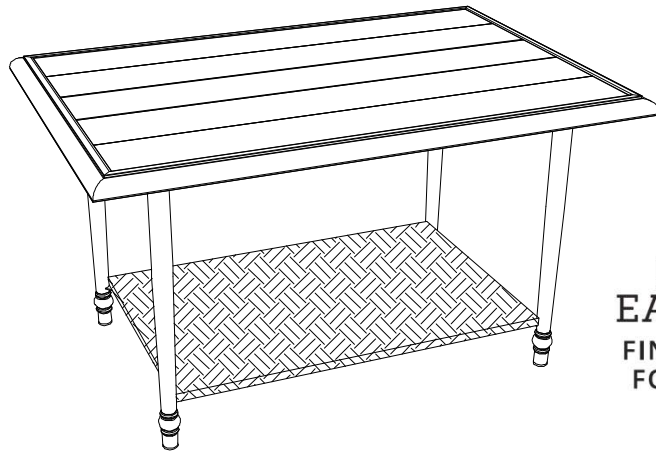
Model# A208003600

# HAMPTON BAY®

## USE AND CARE GUIDE

---

### WINDSOR CHOW HEIGHT TABLE - BROWN



FOR QUICK &  
EASY ASSEMBLY  
FIND 3D INSTRUCTIONS  
FOR THIS PRODUCT IN

**BILT.**®

DOWNLOAD THE FREE APP



Questions, problems, missing parts? Before returning to the store,  
call Hampton Bay Customer Service  
8 a.m. - 7 p.m., EST, Monday-Friday, 9 a.m. - 6 p.m., EST, Saturday

**1-800-841-1350**

**HAMPTONBAY.COM**

---

#### THANK YOU

*We appreciate the trust and confidence you have placed in Hampton Bay through the purchase of this Table. We strive to continually create quality products designed to enhance your home. Visit us online to see our full line of products available for your home improvement needs. Thank you for choosing Hampton Bay!*

# Table of Contents

Table of Contents.....	2	Hardware Included.....	3
Important Safety Instructions.....	2	Package Contents .....	4
Warranty .....	2	Assembly .....	5
Pre- Assembly .....	3	Care and Cleaning .....	6
Planning Assembly.....	3		

# Important Safety Instructions

## SAVE THESE INSTRUCTIONS

### READ ALL INSTRUCTIONS BEFORE USE

To reduce the risk of injury to persons:

1. Close supervision is necessary when this furnishing is used by or near children, or disabled persons, if applicable.
2. Use this furnishing only for its intended use as described in these instructions. Do not use attachments not recommended by the manufacturer.
3. Some parts may contain sharp edges. Wear protective gloves.
4. Please count the parts before assembly.
5. Set up your furniture properly. Ensure that all parts are assembled properly and fully tightened as per instructions. When placing in the desired location, ensure that all legs are resting on the same surface. You may adjust the leg levelers as required to ensure that the item stands in a level position.

6. Examine occasionally to ensure that there are no loose parts. If loose parts are found, they must be re-tightened fully before additional use.



**DANGER:** Keep children and parts away from the assembly area.



**WARNING:** To avoid destroying the finish, please handle the surface by using a soft cloth instead of your bare hands. Due to the nature of iron, surface oxidation (rusting) will occur if these protective coatings are scratched. We recommend immediate touch-up with rust inhibiting paint (not included).



**CAUTION:** Do NOT over tighten any of the bolts or nuts.

# Warranty

## 3 YEAR WARRANTY

### WHAT IS COVERED

This limited warranty is extended to the original purchaser and applies to defects in materials and workmanship of your item provided the item is maintained with care and used only for personal, residential purposes. The item is warranted to be free from defects in material or workmanship for a period of 3 years.

### WHAT IS NOT COVERED

We do not reimburse for transportation of delivery costs, or compensate the individual or any outside party for assembling or disassembling the product.

Contact the Customer Service Team at 1-800-841-1350 or visit [www. Hamptonbay.com](http://www.Hamptonbay.com).

Production Number: 2022200026

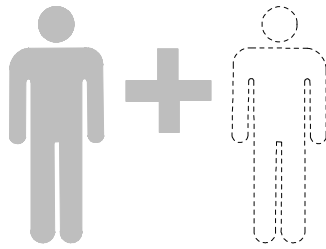
# Pre- Assembly

## PLANNING ASSEMBLY

Before beginning assembly of this product, make sure all parts are present. Compare parts with the Hardware Included and Package Contents lists. If any part is missing or damaged, do not attempt to assemble the product. Contact customer service for replacement parts.

## IMPORTANT

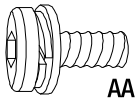
This assembly requires one person. Approximate assembly time: 15~20 minutes.



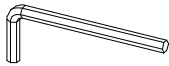
## HARDWARE INCLUDED



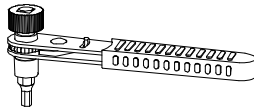
**NOTE:** Hardware not shown to actual size.



AA



BB



CC

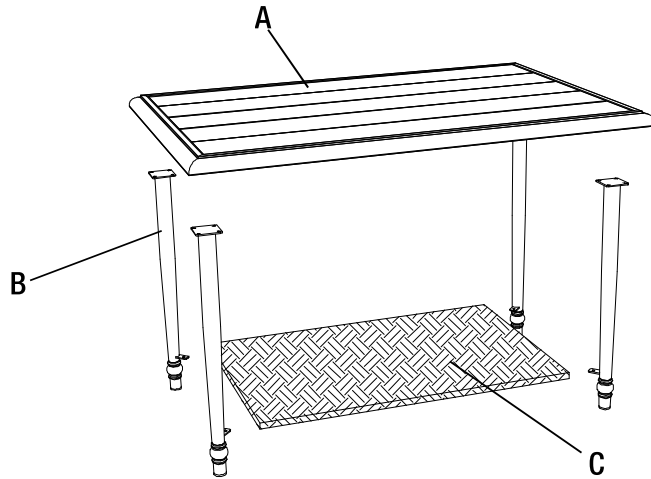
Part	Part Number	Description	Quantity
AA	H100010006	Bolt M6*15 with Washer	20+2
BB	H090030002	Wrench M6	1
CC	H090030009	Ratchet Wrench M6	1



**NOTE:** 1pc of Ratchet Wrench per Set

## Pre-Assembly (continued)

### PACKAGE CONTENTS



Part	Part Number	Description	Quantity
A	P002100139	Table top	1
B	P005400171	Leg	4
C	P002200072	Bottom Shelf	1
D	P005300053	Leveling feet (Pre-assembled on B)	4

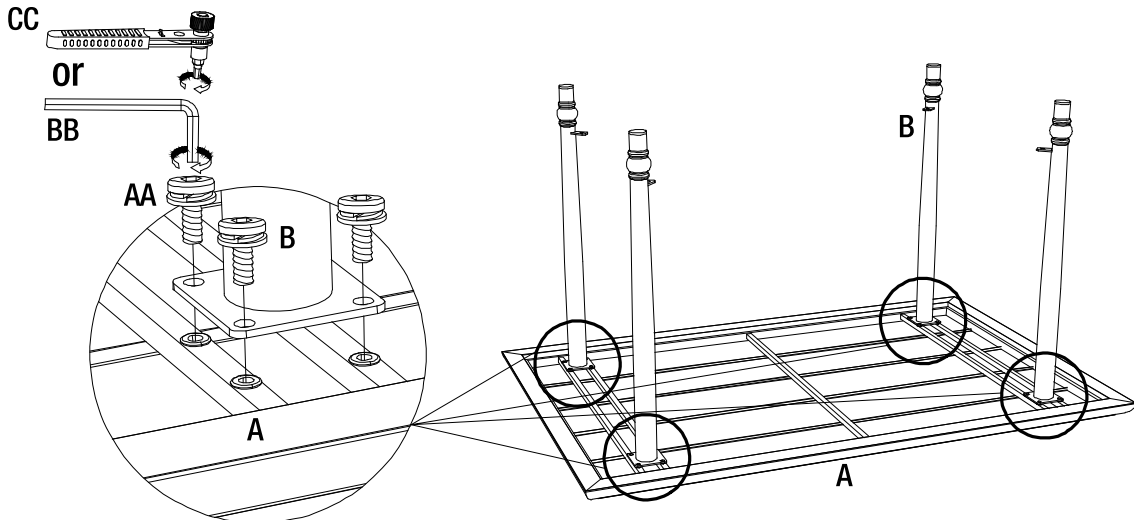
# Assembly

## 1 Attaching the Legs

- Attach the legs (B) to the table top (A) using bolts (AA). Use the wrench (BB) or ratchet wrench (CC) to loosely tighten the bolts.



**NOTE:** Do not fully tighten the bolts.

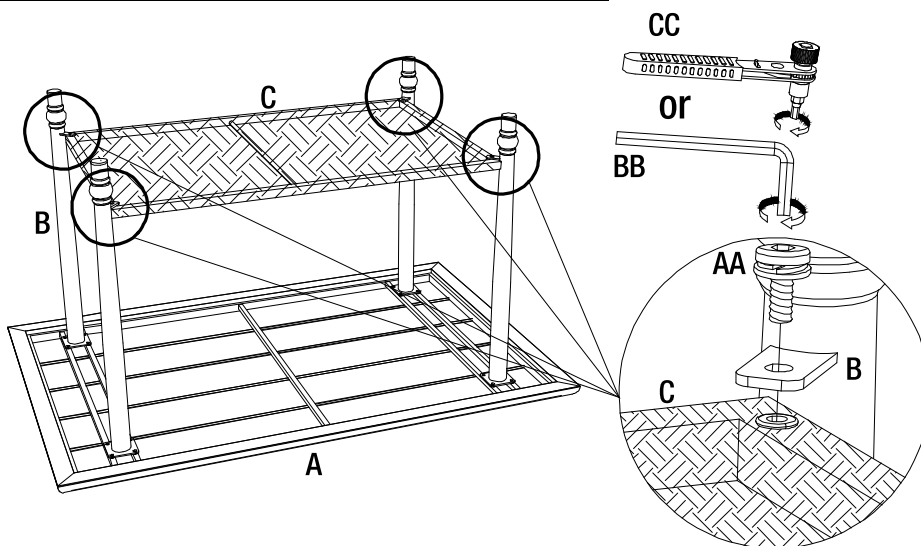


## 2 Attaching the Bottom Shelf

- Attach the bottom shelf (C) to the assembly legs (B) using bolts (AA). Use the wrench (BB) or ratchet wrench (CC) to fully tighten the all bolts.



**NOTE:** To preserve the finish, place parts on a soft surface.





## Care and Cleaning

---

- Before using, clean the Table completely with a soft dry towel.
- Do not use harsh abrasives or cleaners.
- When not in use, store in a cool, dry area.

# HAMPTON BAY®

Questions, problems, missing parts? Before returning to the store,  
call Hampton Bay Customer Service  
8 a.m. - 7 p.m., EST, Monday-Friday, 9 a.m. - 6 p.m., EST, Saturday

**1-800-841-1350**

**HAMPTONBAY.COM**

Retain this manual for future use.

For certification use only
----------------------------

Factory Model# A208003600
---------------------------