

INSTALLATION INSTRUCTIONS

Freestanding Outdoor Grill Installation

WARNING

Excessive Weight Hazard

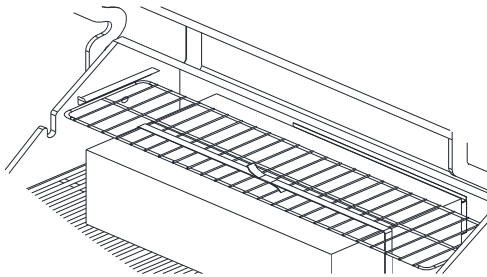
Use two or more people to move and install grill.
Failure to do so can result in back or other injury.

Unpack Grill

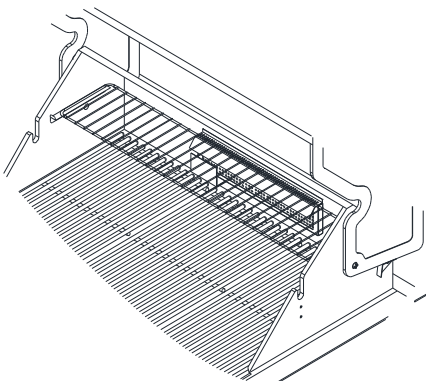
1. Remove all packaging materials and remove grill from the shipping base.
2. Move grill close to desired outdoor location.
3. Open the grill hood.

Remove Packaging Material Inside the Grill

1. Use a utility knife to cut straps and packing tape to open box from top and remove the boxes.
2. Remove the warming shelf and grill grates from inside the grill and remove the package inside the firebox.
3. Remove foam block and wrap from inside the grill.

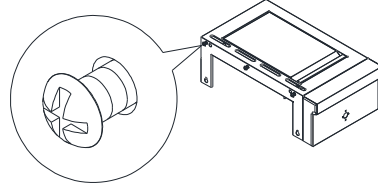


4. Remove the cooking grids with hole.
5. Remove warming rack on brackets as shown.

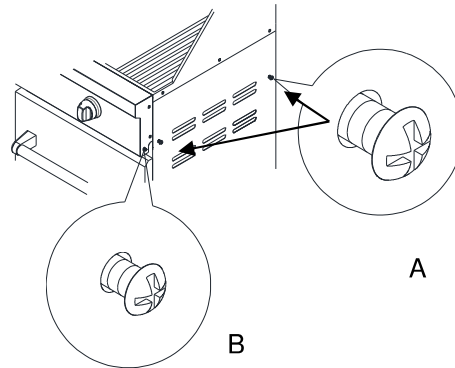


Attach side burner assembly

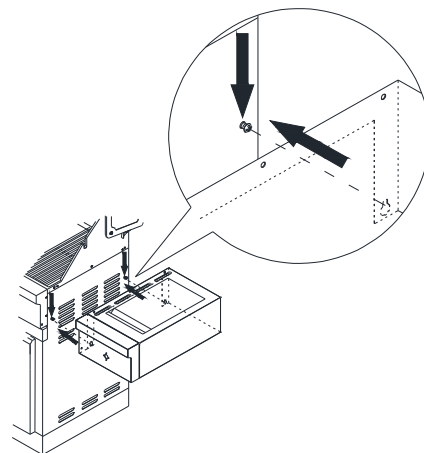
1. Unpack the side burner assembly.
2. Loosen and remove 3 screws on left side burner.



3. Loosen but do not remove the 2 screws on the side panel (A), remove the screw on the main control panel (B).

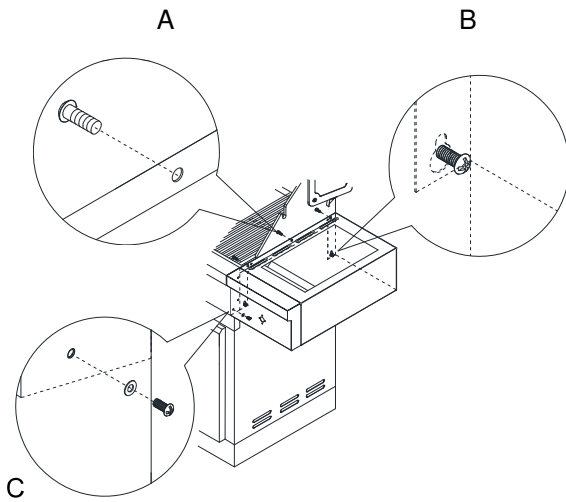


4. Align slots on the side shelf with the loosened screws. Hook the side burner onto the two loosened screws and let the shelf slide down so the screws are in the narrow neck of the slots.

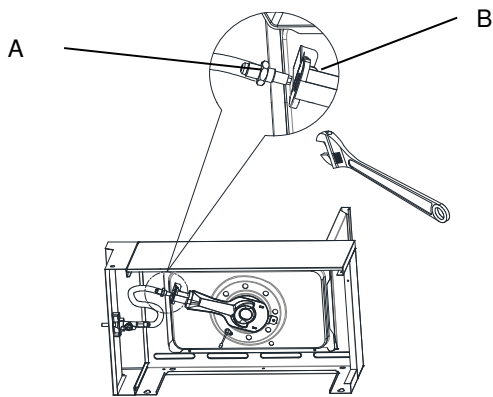


IMPORTANT: This step is meant to help with the installation, but do not depend solely on the two screws to hold the weight of the side shelf.

- Attach the top of the side burner shelf to the grill firebox by inserting three screws into the side burner shelf from inside the grill firebox and tighten. See (A) below.
- Attach the bottom of the side burner shelf to the side panel of the grill by tightening the two screws inserted in the keyhole slots in Step 3. See (B) below.
- Attach the right side burner shelf to the control panel by inserting the screw and the washer which were removed from step 3 and tighten, see (C) below.

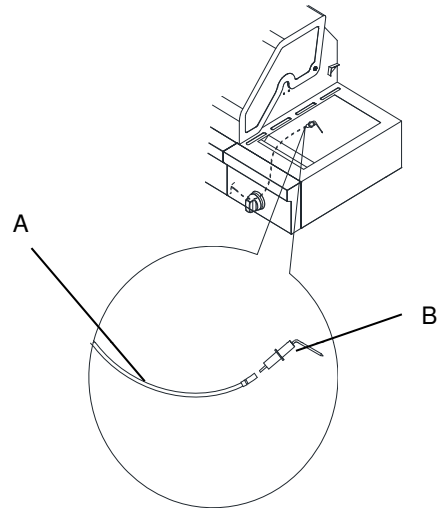


- Attach side burner orifice brass connector to side burner tube with preassembled brass screw then tighten by wrench.



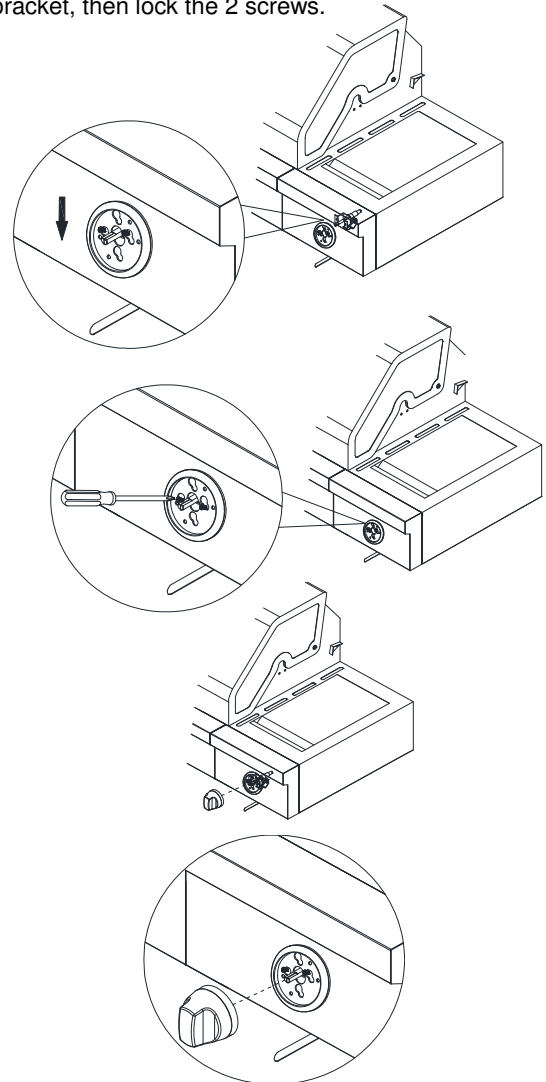
- A. Side burner orifice brass connector
- B. Side burner tube

- Connect side burner igniter wire to underside of side burner.



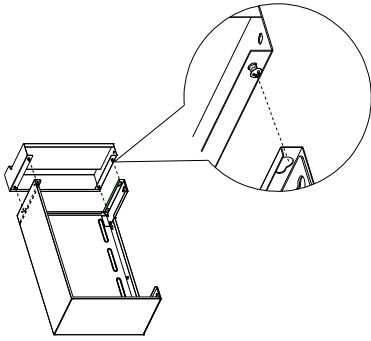
- A. Side burner igniter wire from grill
- B. Side burner ignition pin

- Loosen but do not remove the 2 screws on the valve bracket, then lock the 2 screws.

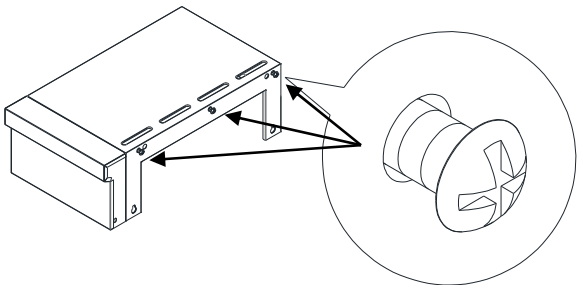


Attach Left Side Shelf

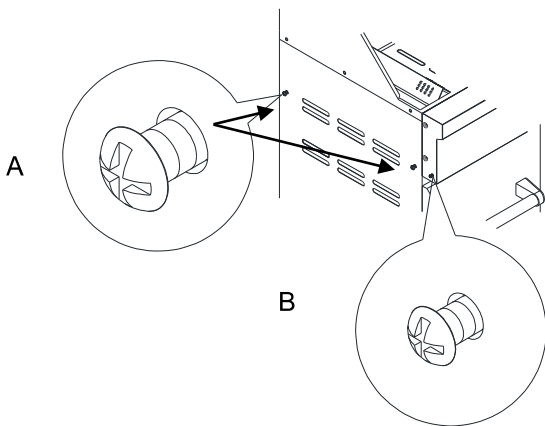
1. Remove the 4 screws, assemble the left shelf panel to the left shelf by locking the 4 screws.



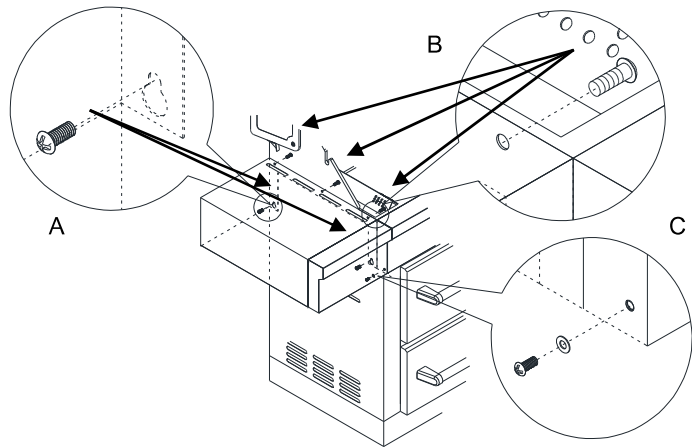
2. Remove the 3 screws on the side shelf, left.



3. Loosen but do not remove the 2 screws on the side panel, left (A). Remove the screw on main control panel (B).



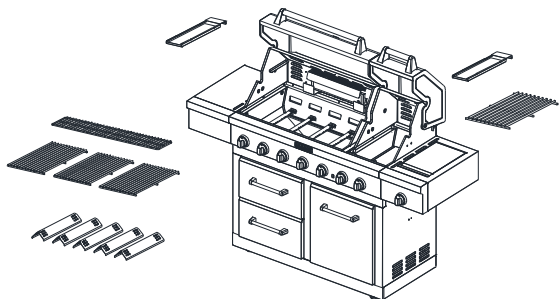
4. Align the bottom keyhole slots on the side shelf, left with the loosened screws. Hook the side shelf, left onto the two loosened screws and let the shelf slide down so the screws are in the narrow neck of the slots, Tighten these two screws, see below (A)
5. Attach 3 screws from firebox inside to side shelf, and tighten, see below (B).
6. Attach the side shelf, left to the main control panel by inserting the screw and the washer which was removed from Step 2 and tighten, see (C) below.



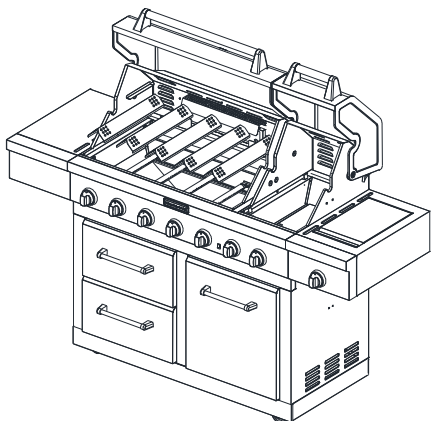
IMPORTANT: This step is meant to help with the installation, but do not depend solely on the two screws to hold the weight of the side shelf.

Spare Parts Assembly

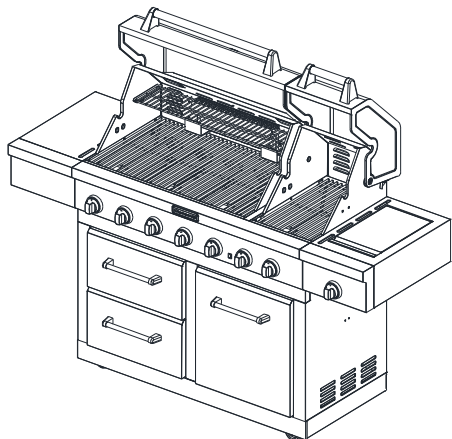
1. Unpack the [main burner grease tray](#) and [searing burner grease tray](#), 5 flame tamers, 3 cooking grids, warming rack, and sear burner cooking grid.



2. Put the flame tamers on the indentations in firebox.

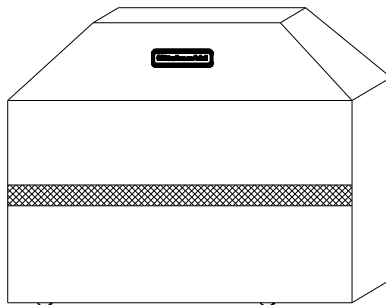


3. Then put on the cooking grids, and warming rack.



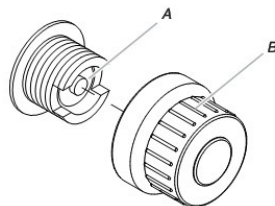
Cover your grill

Once your grill has cooled down, cover the grill between uses. See below picture.



Igniter Battery Assembly

1. Unscrew igniter button cap counterclockwise to remove.
2. Place the battery in, negative end first, and screw the igniter button cap clockwise.



A. "AA" sized battery

B. Igniter cap