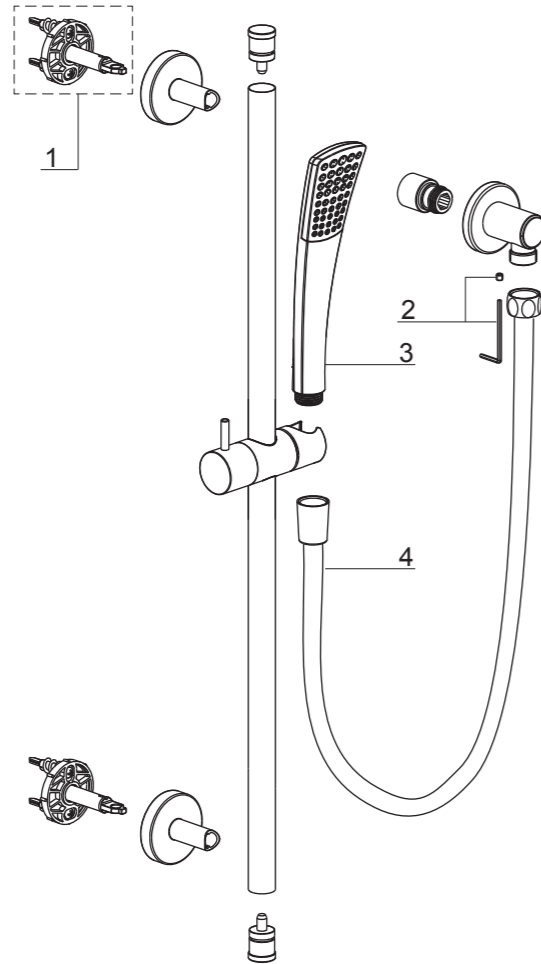


NO.	Description	Part NO.
1	Mounting Hardware	5Y0110000PLO
2	Slide Bar Set Screw & Allen Key	9Q243400NT
3	Hand Shower	5F0M020900
4	Hand Shower Hose	51014603



## Installation/Installation/Instalación

**CUSTOMER SERVICE**  
**TOLL-FREE 1-877-482-5422**

**MFF-ADLHS-CP - Chrome**  
**MFF-ADLHS-BN - Brushed Nickel**



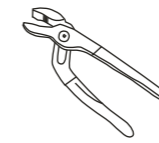
### Tools You Will Need / Outils dont vous aurez besoin / Herramientas necesarias



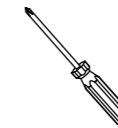
Adjustable Wrench  
Clé à molette  
Llave ajustable



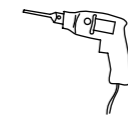
Pipe Tape  
Ruban pour tuyau  
Cinta selladora para rosca



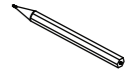
Groove joint pliers  
Pince multiprise  
Pinzas ajustables



Phillips Screwdriver  
Tournevis cruciforme  
Destornillador cruciforme



Drill  
Perceuse  
Taladro



Pencil  
Crayon  
Lápiz



Hex Wrench  
Clé hexagonale  
Llave hexagonal

### SAFETY TIPS

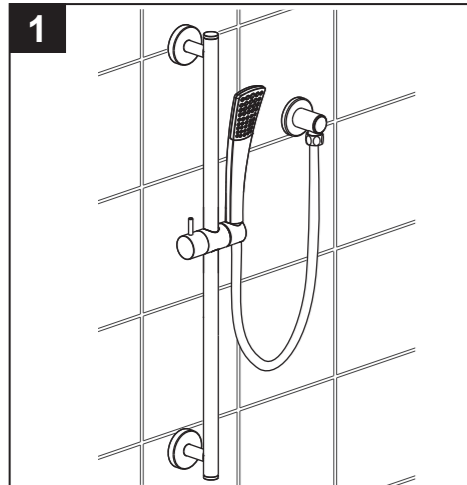
- If you use soldering for the installation of the faucet, the seats, cartridges and washers will have to be removed before using flame. Otherwise, warranty will be void on those parts.
- Cover your drain to avoid losing parts.
- 0°C~55°C.

### CONSIGNES DE SÉCURITÉ

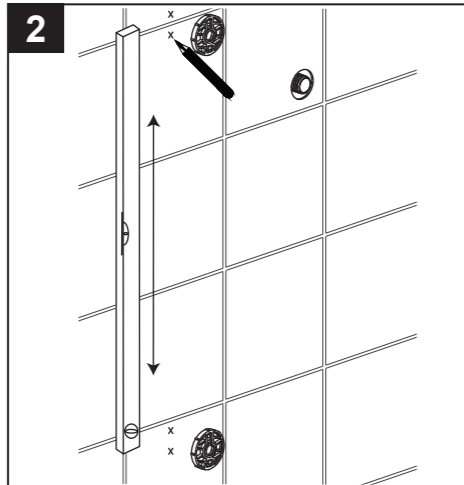
- Si vous posez le robinet par brasage, il est essentiel de retirer les sièges, les cartouches et les rondelles avant d'appliquer la flamme, faute de quoi la garantie sur ces pièces sera annulée.
- Couvrez le drain pour ne pas perdre des pièces.
- 0°C~55°C.

### CONSEJOS DE SEGURIDAD

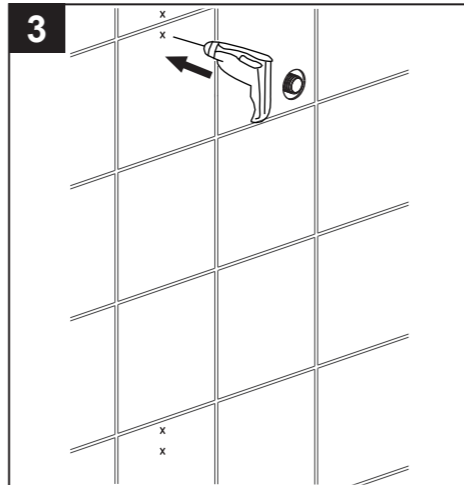
- En el caso de utilizar soldadura para instalar el grifo, remueva los asientos, cartuchos y arandelas antes de usar la llama. De lo contrario, se anulará la garantía para esos componentes.
- Tape la boca del desagüe para prevenir la pérdida de piezas pequeñas.
- 0°C~55°C.



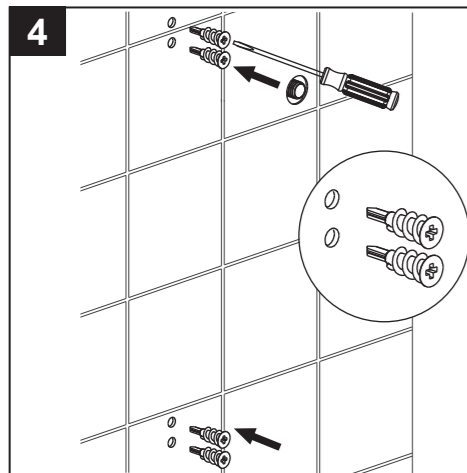
1 Determine the location of the sliding bar.



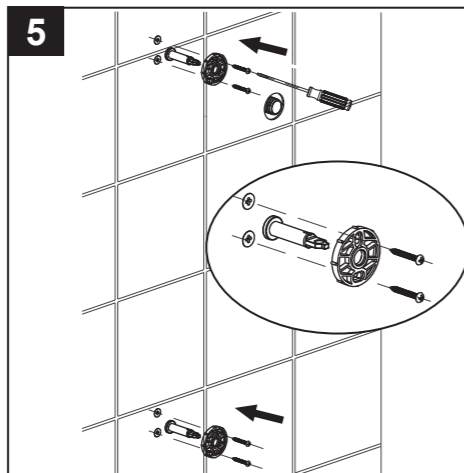
2 Align brackets and mark drill holes in desired location.



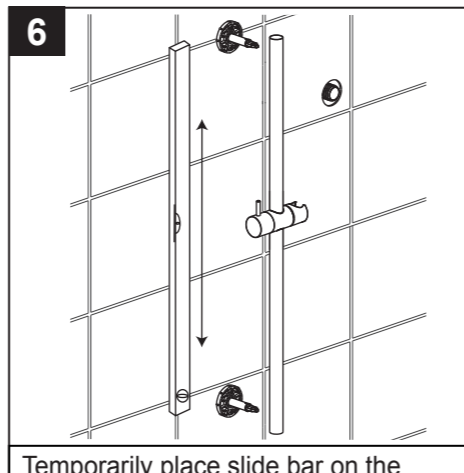
3 Drill 1/4" holes in marked locations.



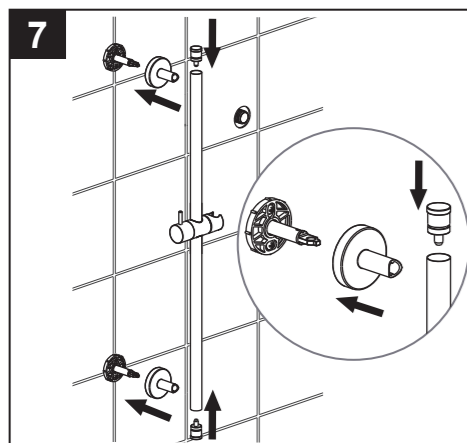
4 Drive the wall anchors into the drilled holes with a Phillips screwdriver.



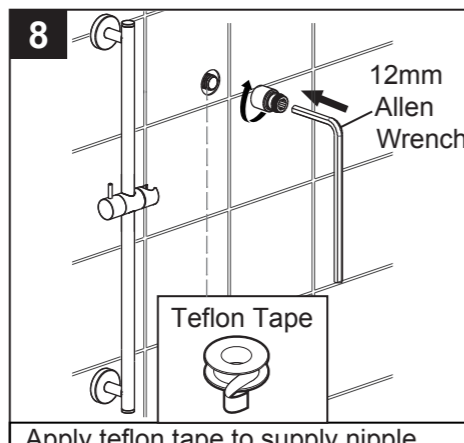
5 Place the mounting brackets over the wall anchors. Secure them to the wall using the supplied screws.



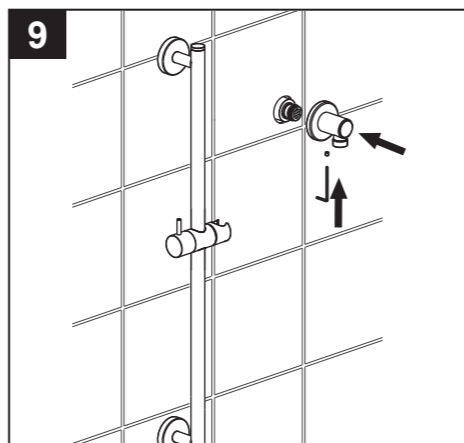
6 Temporarily place slide bar on the mounting brackets to check alignment. If necessary, loosen the screws and realign the mounting brackets.



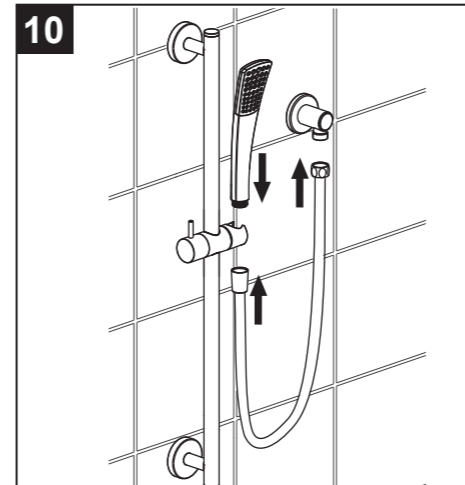
7 Place sliding bar assembly on the mounting bracket and then fix the sliding bar with top cover.



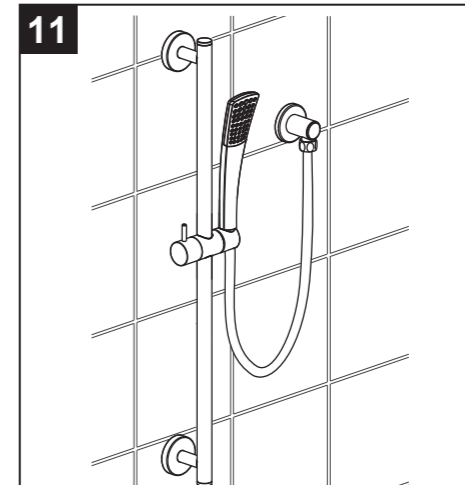
8 Apply teflon tape to supply nipple. Thread on supply nipple to 1/2" NPT water supply. Apply teflon tape to supply nipple and thread on bushing with 12mm allen wrench.



9 Push on hand shower supply outlet nipple and secure with set screw.



10 Connect Shower Hose.



11 Installation complete.