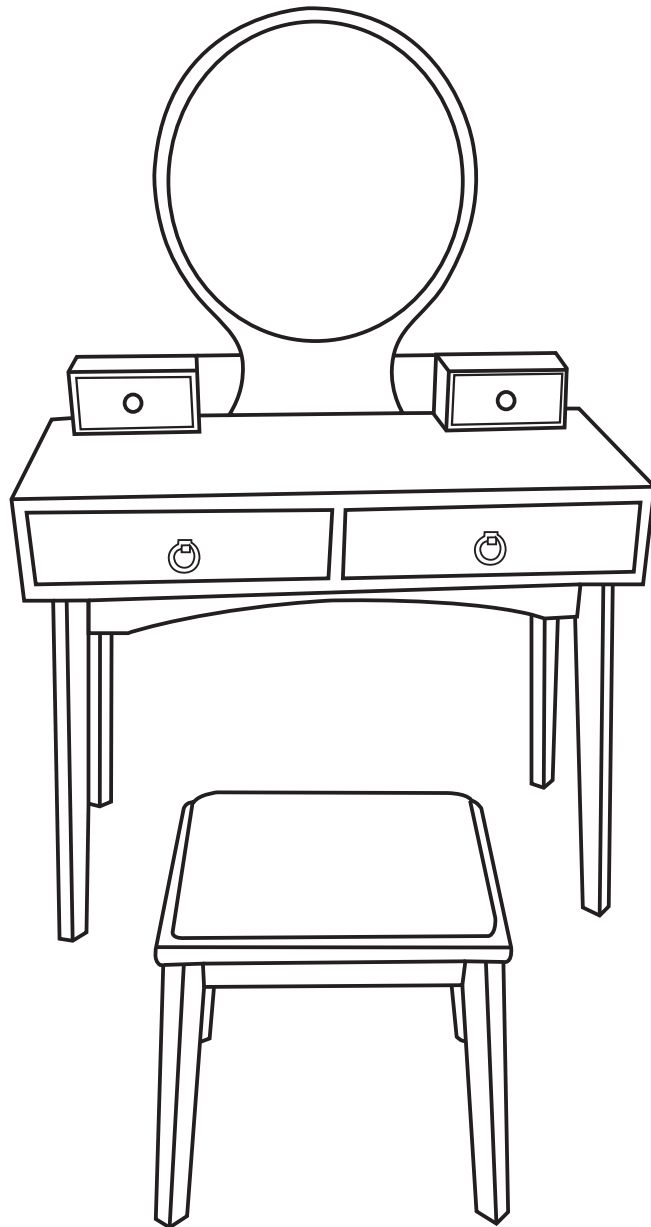




**VEIKOUS**



# **INSTRUCTION MANUAL**

---



THANK YOU FOR CHOOSING VEIKOUS!

YOU WILL NEVER KNOW

HOW EASILY YOU COULD ENLIGHTEN YOUR LIFE

WITH SUPERIORITY AND PLEASURE

NOW YOU KNOW IT

- FOR MORE COST-EFFECTIVE PRODUCTS.

VISIT [WWW.VEIKOUS.COM](http://WWW.VEIKOUS.COM).

- IF YOU HAVE ANY PROBLEM.

E-MAIL US AT [CUSTOMERSERVICE@VEIKOUS.COM](mailto:CUSTOMERSERVICE@VEIKOUS.COM)

---

## TOOLS REQUIRED



PHILLIPS  
SCREWDRIVER



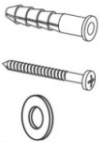




1 PERSON  
ASSEMBLY

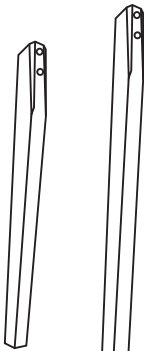
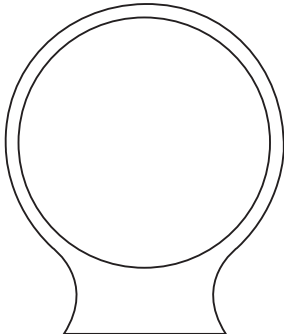
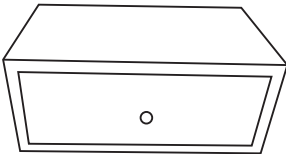
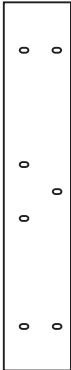
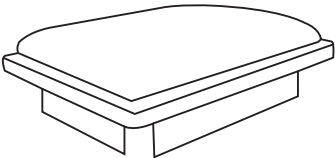
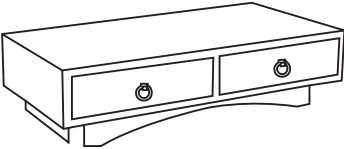
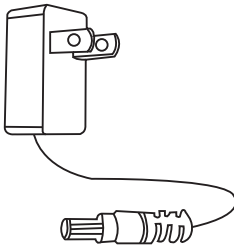


APPROXIMATELY  
20 MIN.  
ASSEMBLY

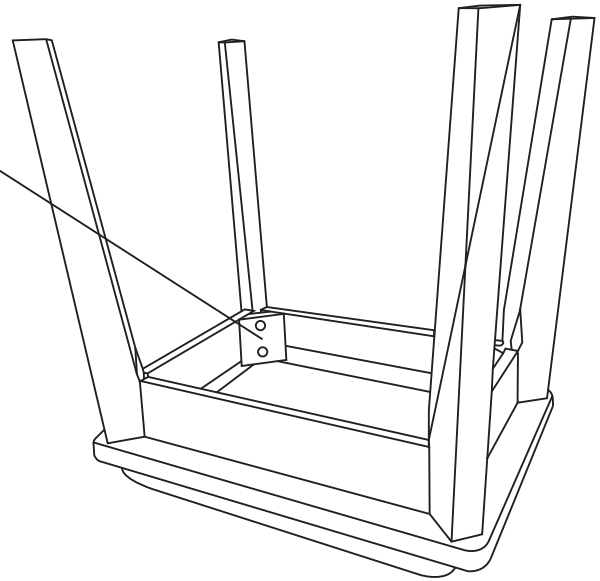
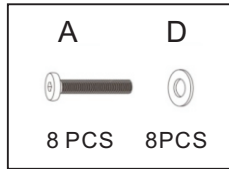
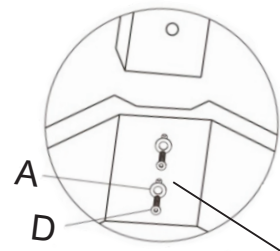
## HARDWARE

|  |  |   |  |   |  |
|--|--|---|--|---|--|
| <p><b>A</b></p>  <p>Φ6x40mm</p> <p>x16</p> | <p><b>B</b></p>  <p>Φ6x20mm</p> <p>x7</p> | <p><b>C</b></p>  <p>x1</p> | <p><b>D</b></p>  <p>Φ8mm</p> <p>x23</p> |  <p>x1</p> |  |
|--|--|---|--|---|--|

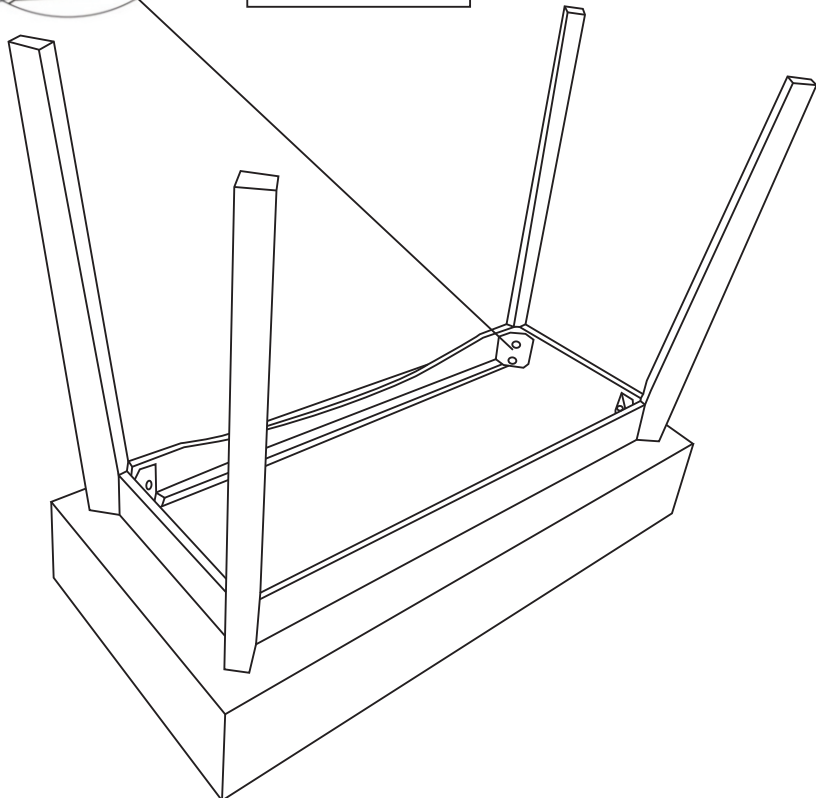
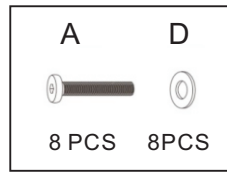
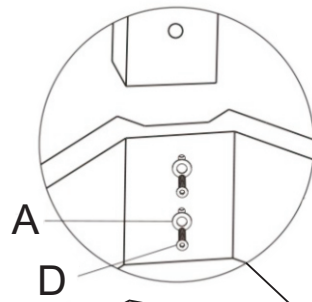
## PARTS

|   |   |  |   |
|---|---|--|---|
| <p><b>F</b></p>  <p>x4      x4</p> | <p><b>G</b></p>  <p>x1</p> | <p><b>H</b></p>  <p>x2</p> | <p><b>I</b></p>  <p>x1</p> |
| <p><b>J</b></p>  <p>x1</p>          | <p><b>K</b></p>  <p>x1</p> | <p><b>L</b></p>  <p>x1</p> |   |

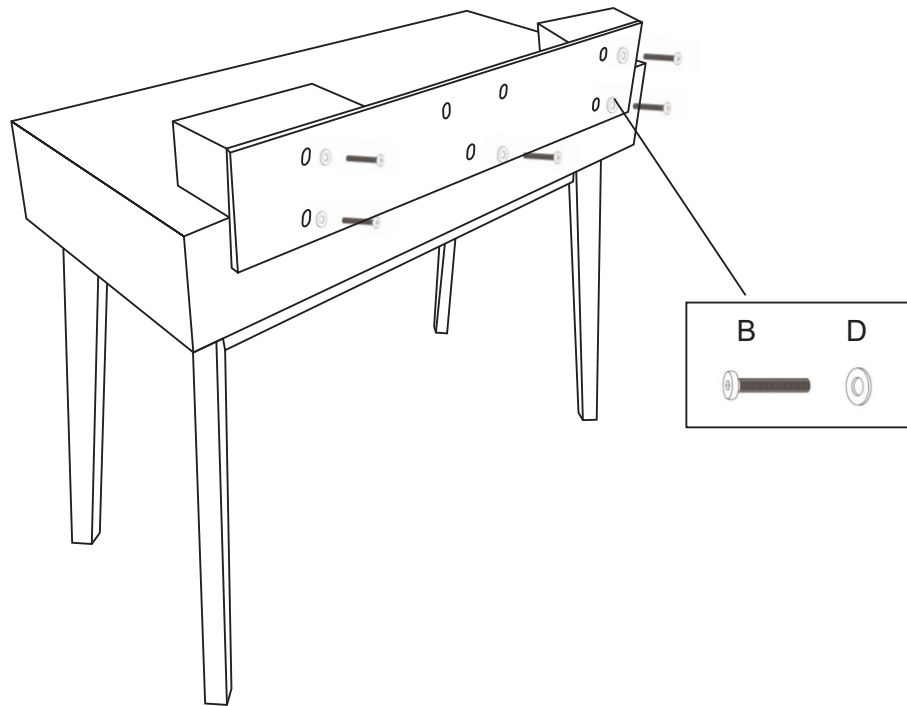
# Step1



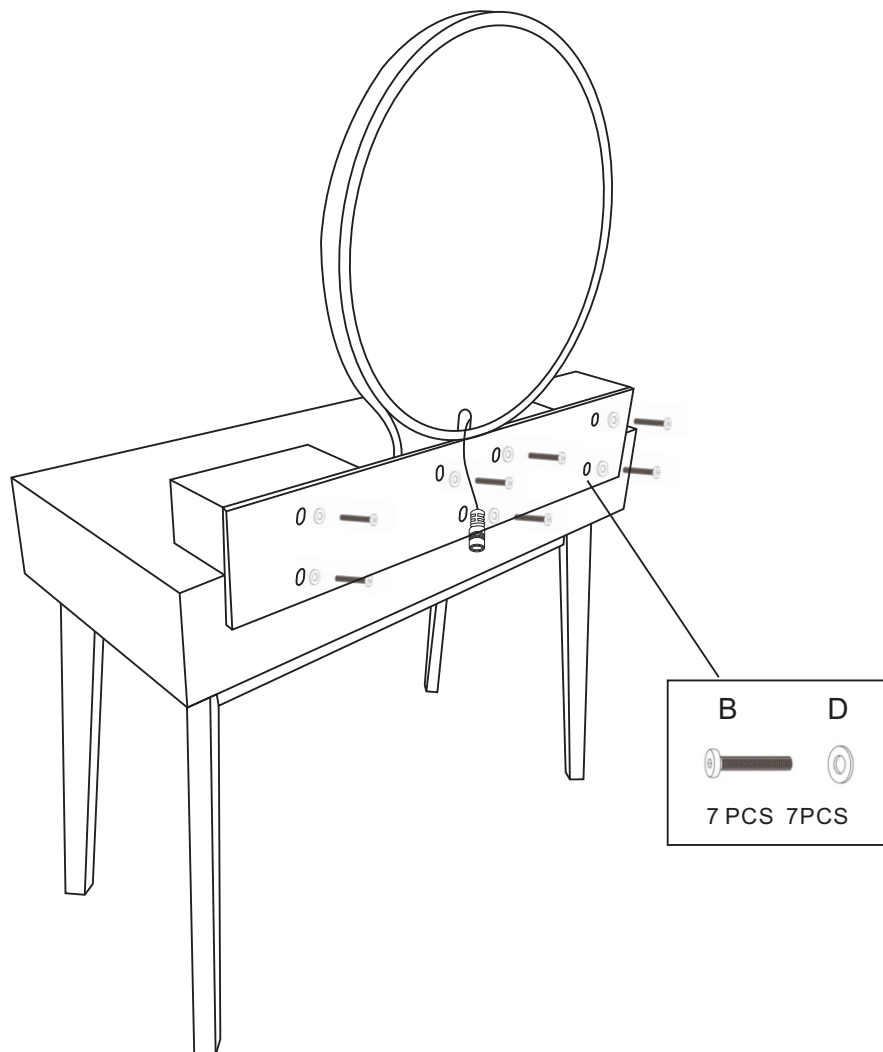
# Step2



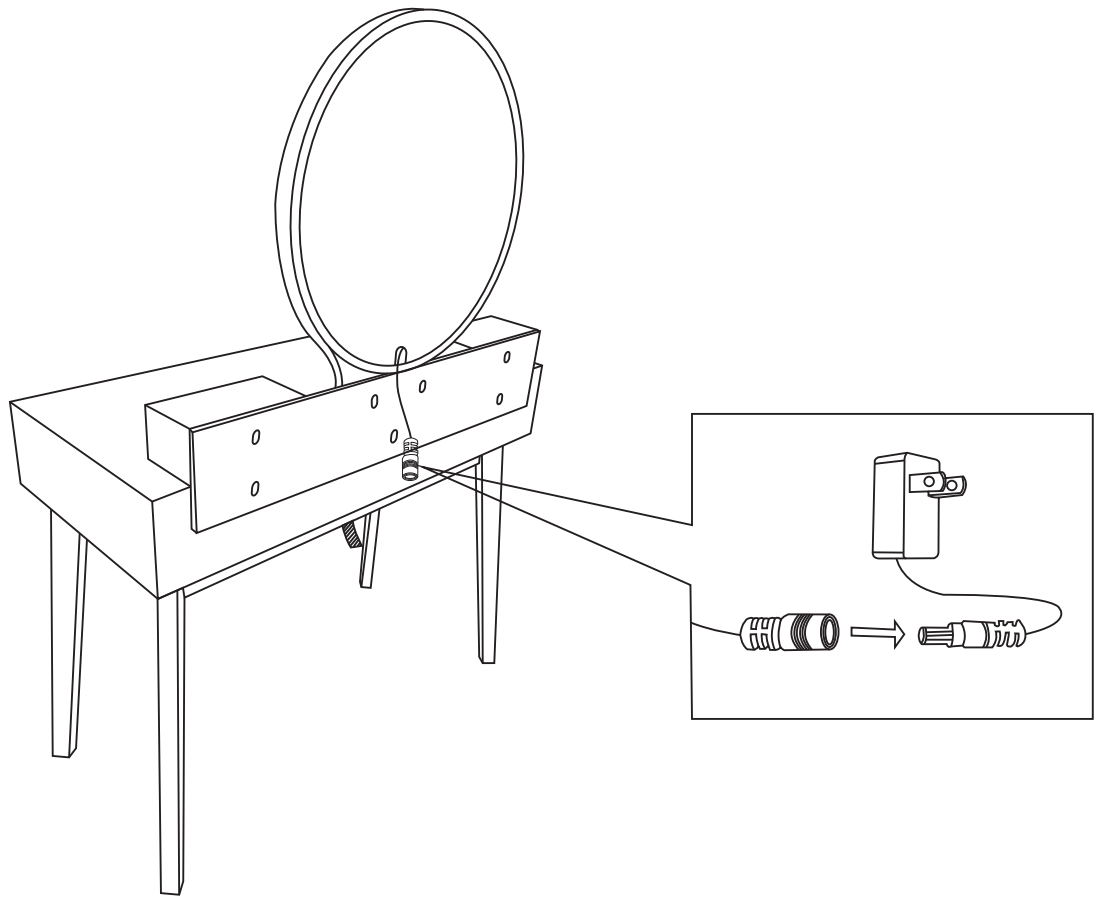
Step3



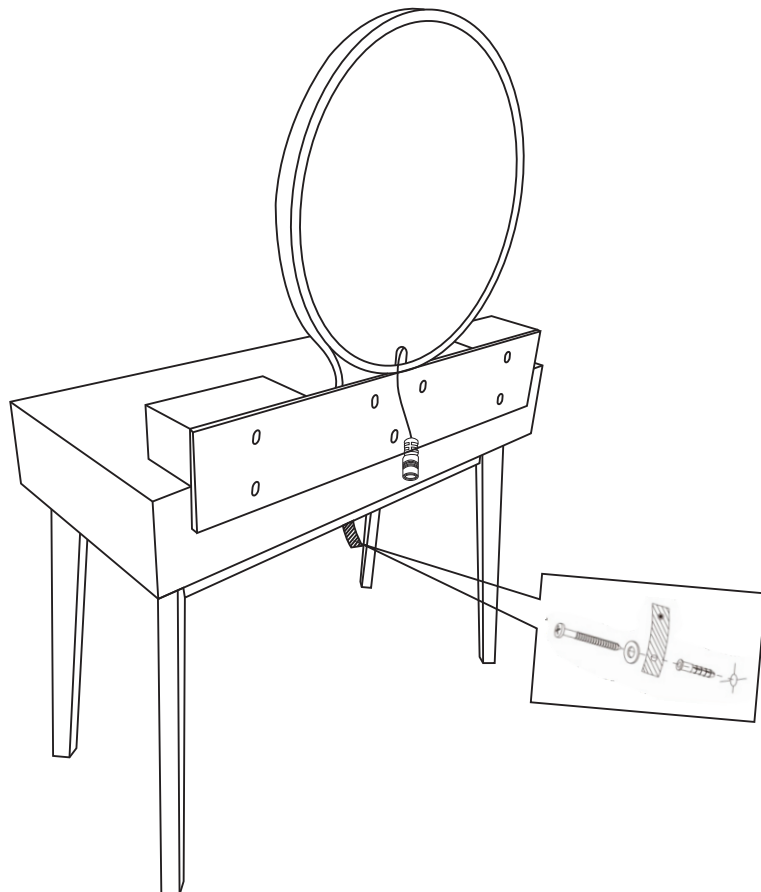
Step4



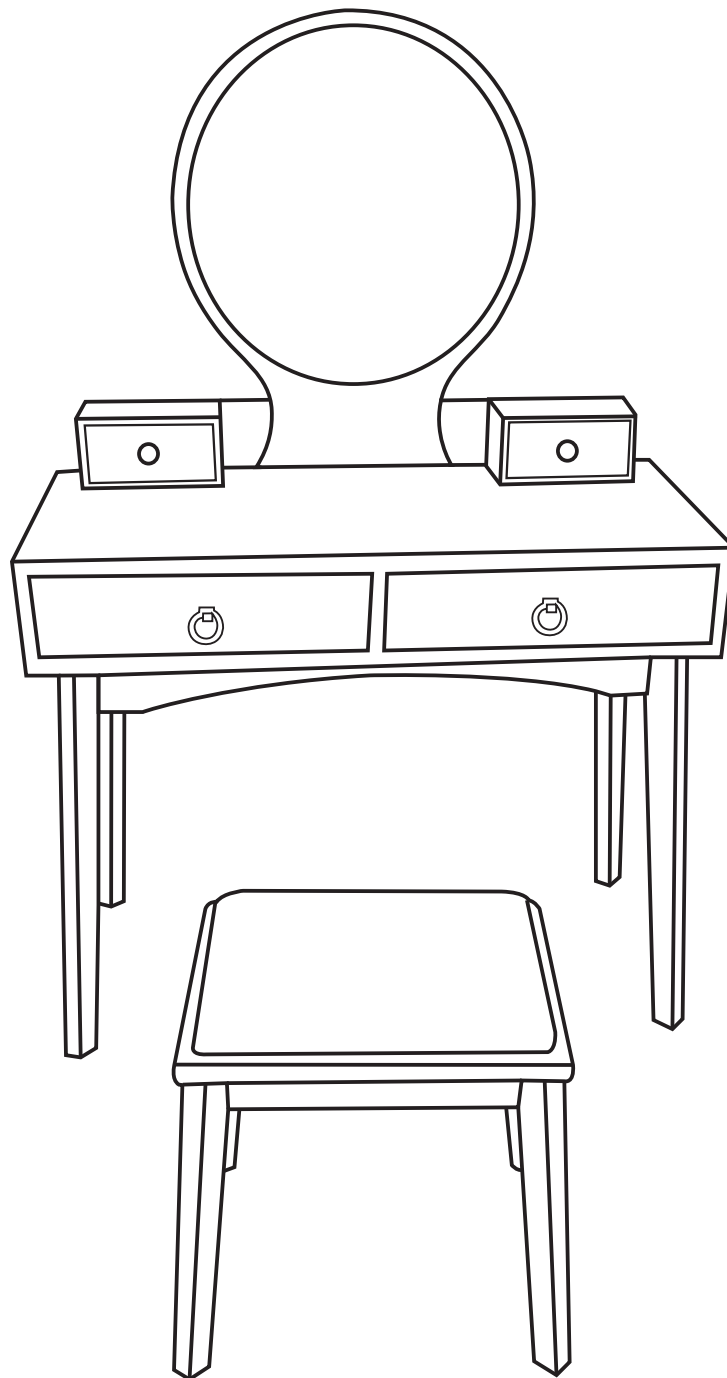
## Step5



## Step6



ENJOY YOUR PRODUCT!



## WARNING

Manufacturer and seller expressly disclaim any and all liability for personal injury, property damage or loss, whether direct, indirect, or incidental, resulting from the incorrect attachment, improper use, inadequate maintenance, or neglect of this product.