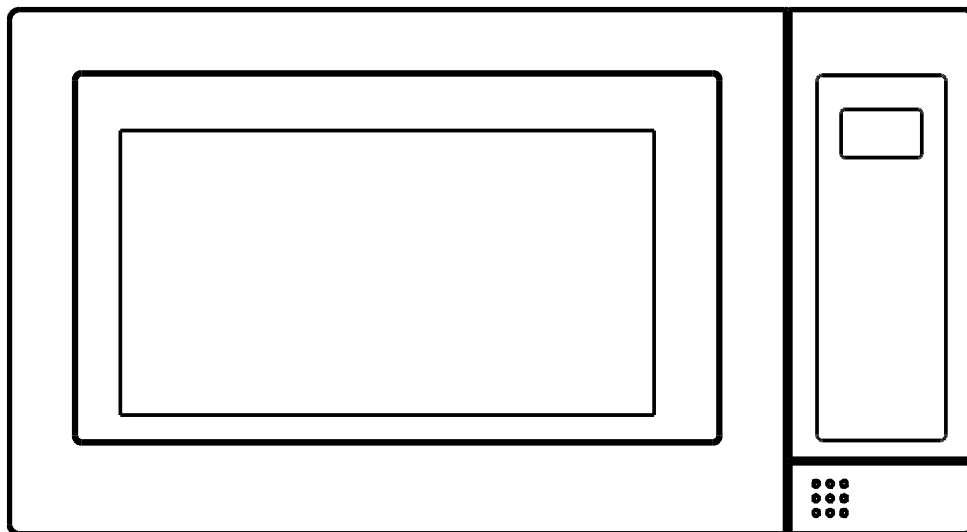




Combo Microwave-Oven

3-in-1 Microwave + Grill + Convection Oven

Model - CMO 1200



USER MANUAL

Read the Instructions carefully and Keep for Future Reference

WARRANTY SERVICE

This warranty is given by:

Equator Appliances

**10216 Georgibelle Drive, Suite 900D
Houston, TX 77043-5249**

For Service, Parts and Accessories:

Appliance Desk

Call 1-800-776-3538

Email: service@appliancedesk.com

Web: www.ApplianceDesk.com

Business hours: 9:00 am to 5:00 pm weekdays

GENERAL

Since it is responsibility of the consumer - owner to establish the warranty period by verifying the original purchase date, Equator Appliances recommends that a receipt, delivery slip or some other appropriate payment record be kept for that purpose.

You can register your Warranty by any of the following methods:

1. Mail in the Warranty Registration Card
2. Register online at www.ApplianceDesk.com
3. Take a picture of the bar code and text it to Appliance Desk
4. Scan the QR Code



This warranty gives you specific legal rights, and you may also have other rights which vary from State to state.

All rights reserved. Manual subject to change without notice.

CONTENT

CONTENT	1
SPECIFICATIONS	1
PRECAUTIONS TO AVOID POSSIBLE EXPOSURE TO EXCESSIVE MICROWAVE ENERGY	2
IMPORTANT SAFETY INSTRUCTIONS	2
GROUNDING INSTRUCTIONS	5
INSTALLATION GUIDE	5
COOKING UTENSILS GUIDE	6
PART NAMES	7
CONTROL PANEL	8
OPERATION INSTRUCTIONS	9
SETTING THE CLOCK	9
SETTING THE TIMER	9
MICROWAVE COOKING	9
GRILL	10
MICROWAVE+GRILL	10
CONVECTION.....	11
MICROWAVE+ CONVECTION.....	11
WEIGHT DEFROST.....	12
MULTI-STAGE COOKING	12
CHILD LOCK.....	12
PROTECTION	13
AUTO COOK.....	13
CLEANING AND CARE	14

SPECIFICATIONS

Power Consumption	120V/60Hz, 1500W (microwave) 1050W (grill), 1450W (convection)
Output	1000W
Operation Frequency	2450MHz
Outside Dimensions (H x W x D)	11.8 × 21.25 × 18.2 inches
Oven Capacity	1.2 cu. ft.
Net Weight	42 lbs.

PRECAUTIONS TO AVOID POSSIBLE EXPOSURE TO EXCESSIVE MICROWAVE ENERGY

1. Do not attempt to operate this oven with the door open since open-door operation can result in harmful exposure to microwave energy. It is important not to tamper with the safety locks. It is important that the door closes properly.
2. Do not place any object between the oven front face and the door or allow soil or cleaner residue to accumulate on surfaces.
3. Do not operate the oven if there is damage to the door, door seals and surfaces or if hinges or latches are loose or broken.
4. The oven should not be adjusted or repaired by anyone except a qualified service technician.

IMPORTANT SAFETY INSTRUCTIONS

WARNING! To reduce the risk of burns, electric shock, fire, injury to persons or exposure to excessive microwave energy:

1. Read all instructions before using the appliance.
2. Read and follow the specific "PRECAUTIONS TO AVOID POSSIBLE EXPOSURE TO EXCESSIVE MICROWAVE ENERGY".
3. This appliance must be grounded. Connect only to properly grounded outlet. See "GROUNDING INSTRUCTIONS".
4. Do not operate the oven when empty.
5. Install or locate this appliance only in accordance with the provided installation instructions.
6. Some products such as whole eggs, closed glass jars and sealed containers can explode and should not be heated in this oven.
7. Use this appliance only for its intended use as described in this manual. Do not use corrosive chemicals or vapors in this appliance. This type of oven is specifically designed to heat, cook, or dry food. It is not designed for industrial or laboratory use.
8. As with any appliance, close supervision is necessary when used by children.

9. To reduce the risk of fire in the oven cavity:
 - a) Do not overcook food. Carefully attend to the appliance when paper, plastic, or other combustible materials are placed inside the oven to facilitate cooking.
 - b) Remove wire twist-ties from paper or plastic bags before placing bag in oven.
 - c) If materials inside the oven should ignite, keep oven door closed, turn oven off, and disconnect the power cord or shut off power at the fuse or circuit breaker panel.
 - d) Do not use the cavity for storage purposes. Do not leave paper products, cooking utensils or food in the cavity when not in use.
10. Liquids, such as water, coffee, or tea can be overheated beyond the boiling point without appearing to be boiling due to surface tension of the liquid. Visible bubbling or boiling when the container is removed from the microwave oven is not always present. THIS COULD RESULT IN VERY HOT LIQUIDS SUDDENLY BOILING OVER WHEN A SPOON OR OTHER UTENSIL IS INSERTED INTO THE LIQUID. To reduce the risk of injury to person:
 - a) Do not overheat the liquid.
 - b) Stir the liquid both before and halfway through heating it.
 - c) Do not use straight-sided containers with narrow necks.
 - d) After heating, allow the container to stand in the microwave oven for a short time before removing the container.
 - e) Use extreme care when inserting a spoon or other utensil into the container.
11. Do not heat oil or fat for deep-frying. It is difficult to control the temperature of oil in microwave oven.
12. Do not cover or block any openings on the appliance.
13. Do not store or use this appliance outdoors. Do not use this product near water, such as, near a kitchen sink, in a wet basement, near a swimming pool, or similar locations.
14. Do not operate this appliance if it has a damaged cord or a plug, or if it is not working properly or if it has been damaged or dropped.
15. Do not immerse cord or plug into water. Keep cord away from heated surfaces. Do not let cord hang over edge of table or counter.
16. This appliance should be serviced only by a qualified service technician. Contact Customer Service for questions or repair.
17. When cleaning surfaces of door and oven use only mild, nonabrasive detergents applied with a sponge or soft cloth.
18. Oversized food or oversized metal utensils should not be inserted in a microwave/toaster oven as they may create a fire or risk of electric shock.

19. Do not clean with metal scouring pads. Pieces can burn off the pad and touch electrical parts involving a risk of electric shock.
20. Do not use paper products when appliance is operated in the toaster mode.
21. Do not store any materials, other than manufacturer's recommended accessories, in this oven when not in use.
22. Do not cover racks or any other part of the oven with metal foil. This will cause overheating of the oven.
23. This equipment has been tested and found to comply with Part 18 of the FCC Rules. Operation is subject to the following two conditions: (1) This device may not cause harmful interference, and (2) this device must accept any interference received, including interference that may cause undesired operation.
CAUTION: Changes or modifications not expressly approved by the party responsible for compliance could void the user's authority to operate the product.
24. This equipment generates, uses and can radiate radio frequency energy and, if not installed and used in accordance with the instructions, may cause harmful interference to radio communications. However, there is no guarantee that interference will not occur in a particular installation. If this equipment does cause harmful interference to radio or television reception, which can be determined by turning the equipment off and on, the user is encouraged to try to correct the interference by one or more of the following measures:
 - Reorient or relocate the receiving antenna.
 - Increase the separation between the equipment and receiver.
 - Connect the equipment into an outlet on a circuit different from that to which the receiver is connected.
 - Consult Customer Service.

SAVE THESE INSTRUCTIONS

GROUNDING INSTRUCTIONS

This appliance must be grounded. In the event of an electrical short circuit, grounding reduces risk of electric shock by providing an escape wire for the electric current. This appliance is equipped with a cord having a grounding wire with a grounding plug. The plug must be plugged into an outlet that is properly installed and grounded.

WARNING! Improper use of the grounding plug can result in a risk of electric shock.

Consult a qualified electrician or technician if the grounding instructions are not completely understood, or if you are not sure if the appliance is properly grounded, and if it is necessary to use an extension cord, use only a 3-wire extension cord that has a 3-blade grounding plug and a 3-slot receptacle that will accept the plug on the appliance. The marked rating of the extension cord should be equal to or greater than the electrical rating of the appliance.

Electrical Requirements

The electrical requirements are a 120 volts 60 Hz, AC only, 20 amp. It is recommended that a separate circuit serving only the oven be provided. The oven is equipped with a 3-prong grounding plug. It must be plugged into a wall outlet, properly installed and grounded.

Power Cord

1. A short power supply cord is provided to reduce the risks resulting from becoming entangled in or tripping over a longer cord.
2. Longer cord sets or extension cords are available and may be used if care is exercised in their use.
3. If long cord or extension cord is used:
 - a) The marked electrical rating of the extension cord should be at least as great as the electrical rating of the appliance.
 - b) The extension cord must be a grounding-type 3-wire cord, and the longer cord should be arranged so that it will not drape over the counter top or table top where it can be pulled on by children or tripped over unintentionally.

INSTALLATION GUIDE

1. Make sure that all the packing materials are removed from the inside of the door and the oven cavity.
2. This microwave oven must be placed on a flat surface.

3. For correct operation, the oven must have sufficient airflow. Allow a minimum 8 inches of free space above the top surface of the oven and 2 inches on both sides. The microwave oven rear plate must be placed close to the wall. Do not cover or block any openings on the appliance. Do not remove feet.
4. The appliance should be only used as free-standing on a countertop at least 3 feet above the floor. It must not be built-in.
5. Do not operate the oven without glass turntable, roller support, and shaft in their proper positions.
6. Make sure that the power cord is undamaged and does not run under the oven or over any hot or sharp surface.
7. The power socket must be readily accessible so the microwave oven can be easily unplugged in an emergency.

COOKING MATERIALS GUIDE

This section lists which materials and containers can be used in this microwave, which have limited use for short periods, and which should not be used.

RECOMMENDED

Microwave dish — Use only containers that are microwave safe. Follow instructions for heating food as provided on the food package.

Microwaveable plastic wrap — Use to retain steam. Leave a small opening for some steam to escape and avoid placing it directly on the food.

Paper towels and napkins — Use for short-term heating and covering; these absorb excess moisture and prevent spattering. Do not use recycled paper towels, which may contain metal and could ignite.

Glass and glass-ceramic bowls and dishes — Use for heating or cooking.

Paper plates and cups — Use for short-term heating at low temperatures. Do not use recycled paper, which may contain metal and could ignite.

Wax paper — Use as a cover to prevent spattering.

Thermometers — Use only those labeled "Microwave Safe" and follow all directions. Check the food in several places. Conventional thermometers may be used on microwave food once the food has been removed from the oven.

LIMITED USE

Aluminum foil — Use narrow strips of foil to prevent overcooking of exposed areas. Using too much foil can damage your oven, so be careful. You should keep distance of 1 inch between aluminum foil and cavity.

Ceramic, porcelain, and stoneware — Use these if they are labeled "Microwave Safe". If they are not labeled, test them to make sure they can be used safely.

Plastic — Use only if labeled "Microwave Safe". Other plastics can melt.

NOT RECOMMENDED

Glass jars and bottles — Regular glass is too thin to be used in a microwave. It can shatter and cause damage and injury.

Paper bags — These are a fire hazard, except for popcorn bags that are designed for microwave use.

Styrofoam plates and cups — These can melt and leave an unhealthy residue on food.

Plastic storage and food containers — Containers such as margarine tubs can melt in the microwave.

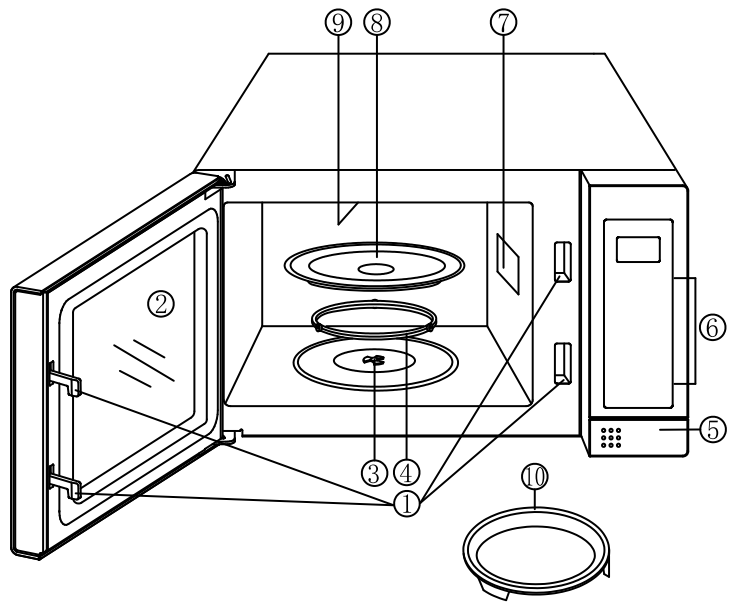
Metal utensils — These can damage your oven. Remove all metal before cooking.

Note:

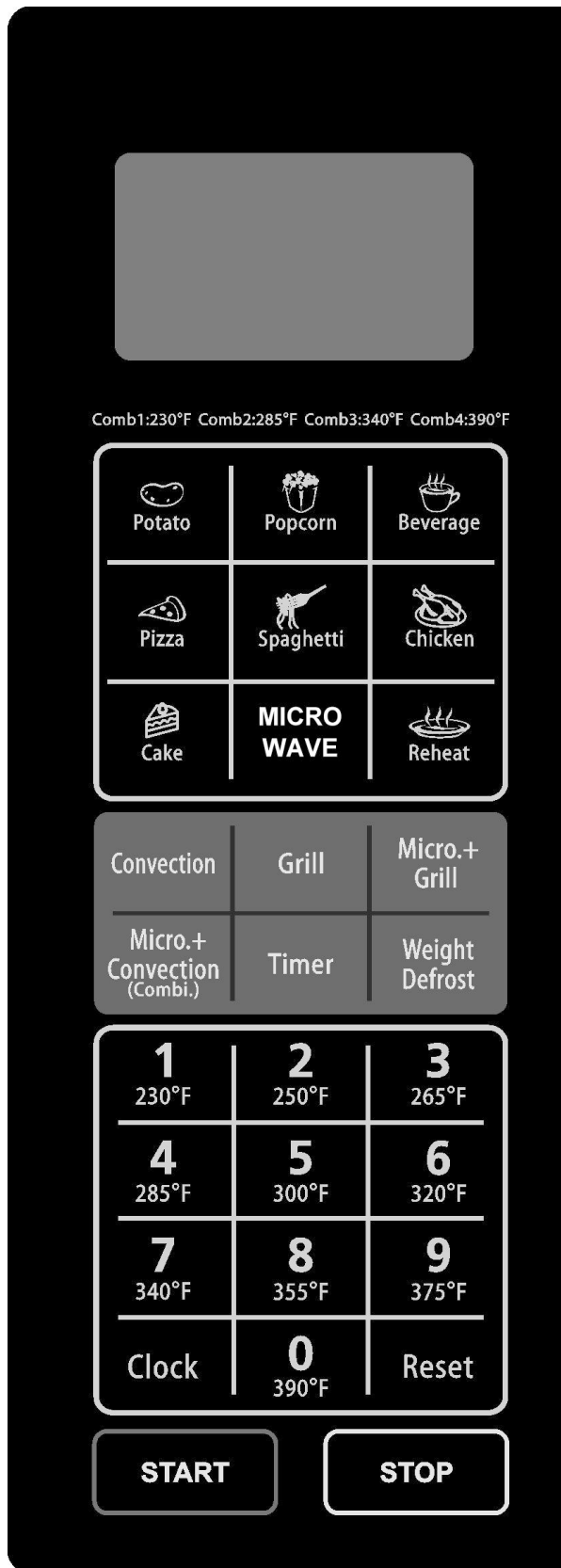
Should you wish to check if a dish is safe for microwaving, place the empty dish in the oven and microwave on HIGH for 30 seconds. A dish which becomes very hot should not be used.

PARTS

1. Door Safety Lock System
2. Oven Window
3. Shaft
4. Roller Ring
5. Door Release Button
6. Control Panel
7. Wave Guide
(Please do not remove the mica plate covering the wave guide)
8. Glass Turntable
9. Grill Heater
10. Baking/Roasting Pan



CONTROL PANEL



- **MENU ACTION SCREEN**

Cooking time, power, indicators and clock time are displayed.

- **AUTO COOK MENUS**

Instant settings to cook popular foods.

- **MICROWAVE**

Press to set cooking power level.

- **CONVECTION**

Press to set convection cooking program.

- **GRILL**

Press to set grill cooking program.

- **MICRO.+ GRILL**

Press to set microwave and grill combination cooking program.

- **MICRO.+ CONVECTION**

Press to set microwave and convection combination cooking program.

- **TIMER**

Press to set timer function.

- **WEIGHT DEFROST**

Press to defrost food based on weight.

- **NUMBER BUTTONS (0~9)**

Press to set time, temperature and food weight.

- **CLOCK**

Press to set clock time.

- **RESET**

Clear all previous settings before cooking. It is also used to set child lock.

- **START**

Press to start cooking and defrosting programs.

- **STOP**

Press to stop cooking programs.

OPERATION INSTRUCTIONS

- When the oven is first plugged in, a beep will sound and the display will show "CLOCK" and "1:00".
- During cooking, if you press STOP button once, the program will be paused, then press START button to resume. But if you press RESET button during the pause state, the program will be cancelled.
- After cooking ends, the display will show End and a beep will sound to remind the user every two minutes until the user presses any button or opens the door.
- The electronic control system of the microwave oven has the feature of cooling. For any cooking mode which has cooking time more than 2 minutes, open the door and the oven fan will come on for about 3 minutes automatically to cool the oven.

SETTING THE CLOCK

This is a 24 or 12 hour clock. You can choose to set a 24-hour clock or a 12-hour clock by pressing the CLOCK button.

1. Press CLOCK button once or twice to select 24 or 12 hour clock.
2. Use the number buttons to set the correct time.
3. Press CLOCK button once to confirm.

SETTING THE TIMER

1. Press the TIMER button once.
2. Use number buttons to set desired time. The longest cooking time you can set is 99 minutes and 99 seconds.
3. Press START button to confirm.

NOTE: When the countdown ends, the buzzer will beep to remind you. Time countdown can be seen by pressing TIMER button and then you can cancel the program by pressing RESET button when the display shows the time.

MICROWAVE COOKING

1. Press MICROWAVE button repeatedly to select power level. (The default is full power and you do not need to select the power level.)
2. Use number buttons to set cooking time.
3. Press START button to start.

Press MICROWAVE button to select a cooking power level:

Press MICROWAVE	Power (Display)	Press MICROWAVE	Power (Display)
Once	100% (P-HI)	7 times	40% (P-40)
Twice	90% (P-90)	8 times	30% (P-30)
3 times	80% (P-80)	9 times	20% (P-20)
4 times	70% (P-70)	10 times	10% (P-10)
5 times	60% (P-60)	11 times	0% (P-00)
6 times	50% (P-50)		

NOTE: During cooking, you can check the current cooking power level by pressing MICROWAVE button. If you want to cook at full power level, omit the first step.

GRILL

Grill cooking is particularly useful for thin slices of meat, steaks, chops, kebabs, sausages and pieces of chicken. It is also suitable for hot sandwiches and au gratin dishes.

1. Press GRILL button once.
2. Use number buttons to set cooking time.
3. Press START button to start.

Note: When the microwave oven with grill function is first used, it may produce some smoke and smell. This is a normal phenomenon, because the oven is made of a steel plate coated with lubricating oil, and the new oven will produce fumes and odor generated by burning the lubricating oil. This phenomenon will disappear after a period of use.

MICROWAVE+GRILL

Combination 1: 30% time for microwave cooking, 70% time for grill cooking. Use for fish or au gratin.

Combination 2: 55% time for microwave cooking, 45% time for grill cooking. Use for puddings omelets, baked potatoes, and poultry.

1. Press MICRO+GRILL button repeatedly to select "C-1" or "C-2".
2. Use number buttons to set cooking time.
3. Press START button to start.

NOTE: During cooking, you can press MICRO+GRILL button to check the combination power level.

CONVECTION

During convection cooking, hot air is circulated throughout the oven cavity to brown and make crisp foods quickly and evenly. This oven can be programmed for ten different cooking temperatures:

0	1	2	3	4	5	6	7	8	9
390 °F	230 °F	250 °F	265 °F	285 °F	300 °F	320 °F	340 °F	355 °F	375 °F

To preheat and cook with convection:

Your oven can be programmed to combine preheating and convection cooking operations.

1. Press CONVECTION button once.
3. Use number buttons to indicate convection temperature (see table above).
4. Press START button to start. Beeps will sound when the designated temperature is reached.
5. Open the door or press RESET button once, and then place container of food at the center of the turntable.
6. Use number buttons to set cooking time.
7. Press START button to start.

NOTE: The longest preheat time is 30 minutes. When the designated temperature is reached, there is a short sound every 5 seconds for 30 minutes. If the oven door is not opened within the 30 minutes, the oven program will end automatically.

To cook with convection:

1. Press CONVECTION button once.
3. Use number buttons to indicate convection temperature.
4. Use number buttons to set cooking time.
6. Press START button to start.

NOTE: During cooking, you can check the temperature by pressing CONVECTION button.

MICROWAVE+ CONVECTION

This oven has four pre-programmed settings that make it easy to cook with both convection heat and microwave automatically.

1. Press MICRO+CONVECTION button once.
2. Use number button (1~4) to indicate cooking temperature.

Press number button to select convection temperature:

Press number button	Temperature (°F)
1	230
2	285
3	340
4	390

3. Use number buttons to set cooking time.
4. Press START to confirm.

NOTE: During cooking, you can check the combination power level by pressing MICRO+CONVECTION button.

WEIGHT DEFROST

The defrosting time and power level are automatically set once the food weight is programmed. The maximum frozen food weight is 64 oz.

1. Press WEIGHT DEFROST button once.
2. Use number buttons to set food weight.
3. Press START button to confirm.

NOTE: During defrosting, the oven will pause and sound to remind user to turn food over. Then, press START button to resume.

MULTI-STAGE COOKING

Your oven can be programmed for up to 3 automatic cooking sequences. Suppose you want to set the following cooking program.

Microwave cooking



Microwave cooking (with lower power level)

1. Input the first microwave cooking program. Do not press START button.
2. Input the second microwave cooking program.
3. Press START button to start.

NOTE: Weight defrost and auto cook menus cannot be set in multi-stage cooking program.

CHILD LOCK

Use to prevent unsupervised operation of the oven by children.

To set: Press and hold RESET for 3 seconds, then a beep will sound, and the oven will turn on child lock mode and the lock indicator light will turn on. In the lock state, all buttons are disabled.

To cancel: Press and hold RESET button for 3 seconds to cancel the program. A beep will sound and the lock indicator light will turn off.

PROTECTION

Overheating Protection - When the system enters into super high temperature protection status, the digital display shows "E01" and continues to beep. After troubleshooting, press RESET button once, the system comes back to normal mode.

Low Temperature Protection - When the system enters into low temperature protection status, the digital display shows "E02" and continues to beep. After troubleshooting, press RESET button, the system comes back to normal mode.

Sensor Malfunction Protection - The system enters into protection mode when the system sensor is short circuited. The display shows "E03" and continues to beep. After troubleshooting, press RESET button, the system comes back to normal mode.

AUTO COOK

For auto cooking mode, it is not necessary to program the time and the cooking power. It is sufficient to indicate the type of food that you want to cook as well as the weight of the food.

1. Press menu button to select desired food weight or servings.
2. Press START button to start.

Auto cook menus:

Food	Note
Potato (1-3 servings)	<ul style="list-style-type: none">• For Chicken, during cooking, the system will pause to remind you to turn over the food, after that, press START button to resume.• The result of auto cooking depends on factors such as fluctuation of voltage, the shape and size of food and your personal preference. You can adjust the cooking time as required.
Popcorn (3.2 oz)	
Beverage (1-3 servings)	
Pizza (5 oz, 11 oz, 16 oz)	
Spaghetti (4 oz, 7 oz, 11 oz)	
Chicken (28-50 oz)	
Cake (16 oz)	
Reheat (7~28 oz)	

CLEANING AND CARE

1. Turn off the oven and unplug the power cord from the wall when cleaning.
2. Keep the inside of the oven clean. When food splatters or spilled liquids adhere to oven walls, wipe with a damp cloth. Mild detergents may be used if the oven gets very dirty. Avoid using spray or other harsh cleaners. They may stain, streak or dull the door surface.
3. The outside of the oven should be cleaned with a damp cloth. To prevent damage to the operating parts inside the oven, water should not be allowed to seep into the ventilation openings.
4. Wipe the door and window on both sides, the door seals and adjacent parts frequently with a damp cloth to remove any spills or splatters. Do not use abrasive cleaners.
5. A steam cleaner is not be used.
6. Do not allow the control panel to become wet. Clean with a soft, damp cloth. When cleaning the control panel, leave oven door open to prevent oven from accidentally turning on.
7. If steam accumulates inside or around the outside of the oven door, wipe with a soft cloth. This may occur when the microwave oven is operated under high humidity condition. This is normal.
8. It is occasionally necessary to remove the glass tray for cleaning. Wash the tray in warm sudsy water or in a dishwasher.
9. The roller ring and oven floor should be cleaned regularly to avoid excessive noise. Simply wipe the bottom surface of the oven with mild detergent. The roller ring may be washed in mild, soapy water or in a dishwasher. When removing the roller ring, be sure to replace it in the proper position.
10. Remove odors from your oven by combining a cup of water with the juice and skin of one lemon in a microwaveable bowl. Microwave for 5 minutes. Wipe thoroughly and dry with a soft cloth.
11. If the light bulb burns out, please contact Customer Service to have it replaced.

Please dispose of this appliance in accordance with local recycling and disposal regulations.