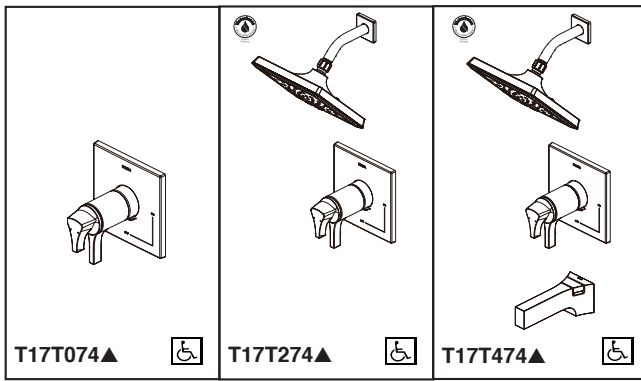




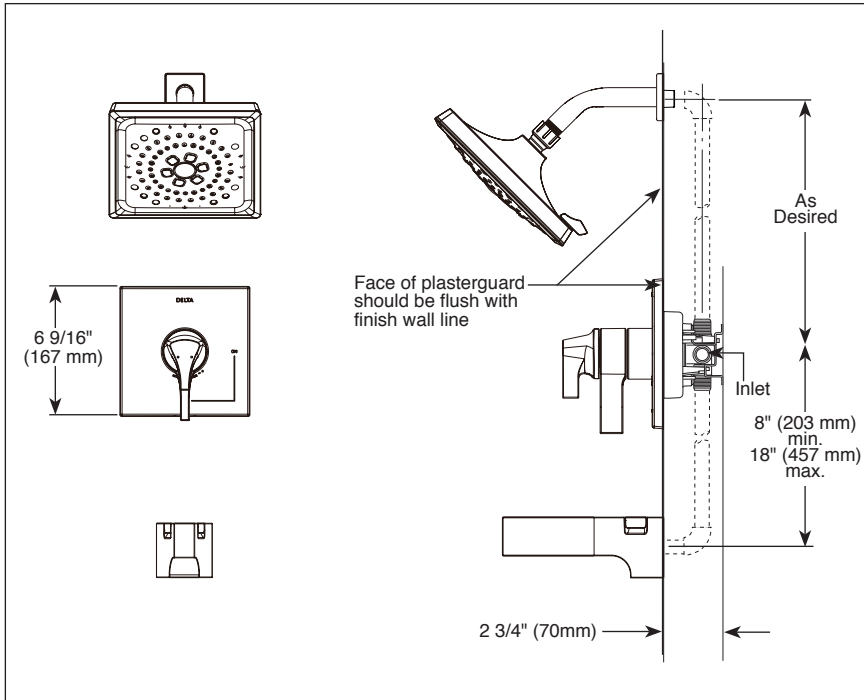
# TUB AND SHOWER FAUCET TRIM



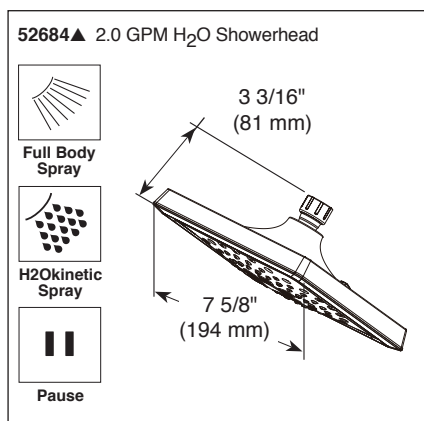
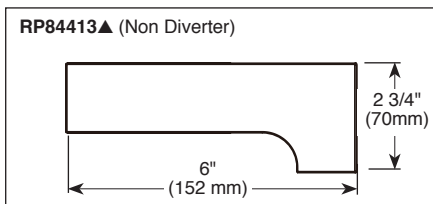
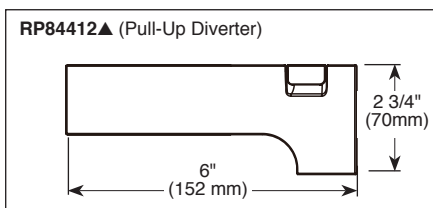
- Zura™ Bath Collection
- TempAssure® Thermostatic
- Valve Only (T17T074)
- Shower Only (T17T274)
- Tub/Shower (T17T474)

Submitted Model No.: \_\_\_\_\_

Specific Features: \_\_\_\_\_

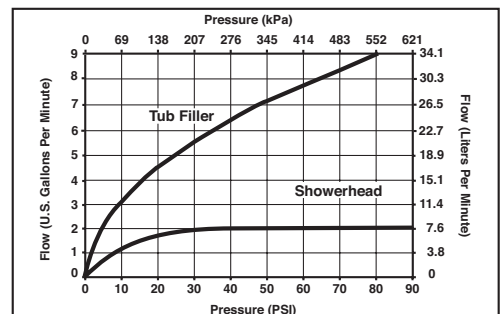


▲ Designate Proper Finish Suffix



## COMPLIES WITH:

- ASME A112.18.1 / CSA B125.1
- Indicates compliance to ICC/ANSI A117.1 - Valve control only.
- EPA WaterSense®



55 E. 111th Street, Indianapolis, Indiana 46280  
 350 South Edgeware Road, St. Thomas, ON N5P 4L1  
 © 2016 Masco Corporation of Indiana

Delta reserves the right (1) to make changes in specifications and materials, and (2) to change or discontinue models, both without notice or obligation. Dimensions are for reference only. See current full-line price book or www.deltafaucet.com for finish options and product availability.

DSP-B-T17T074 Rev. A