



TB-4222LS

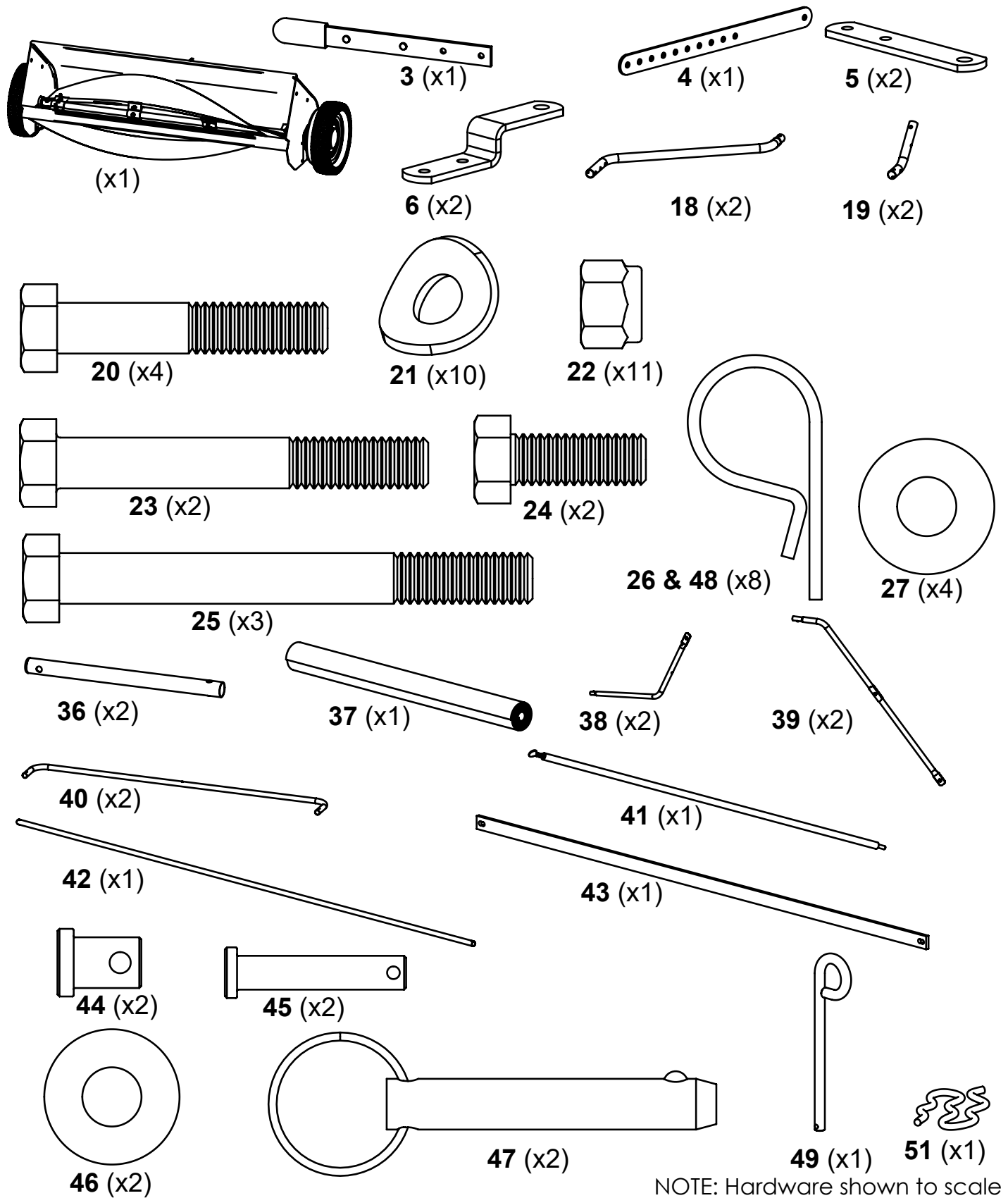
22 cu ft LAWN SWEEPER

U.S. Patent No. 7,610,646



**READ AND FOLLOW ALL SAFETY RULES AND OPERATING
INSTRUCTIONS BEFORE USING THIS EQUIPMENT**

Carton Contents

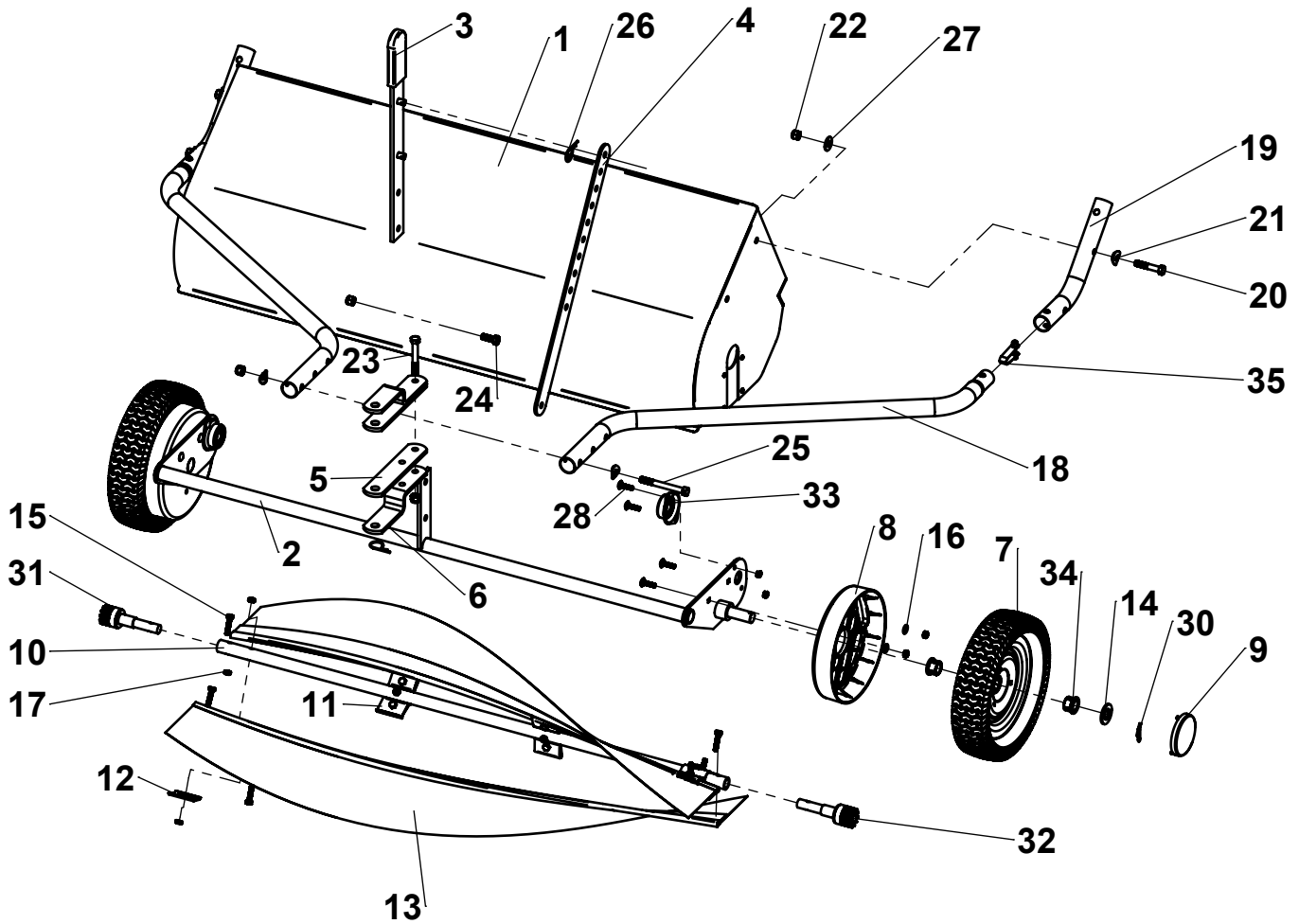


NOTE: Hardware shown to scale

TOOLS REQUIRED FOR ASSEMBLY:

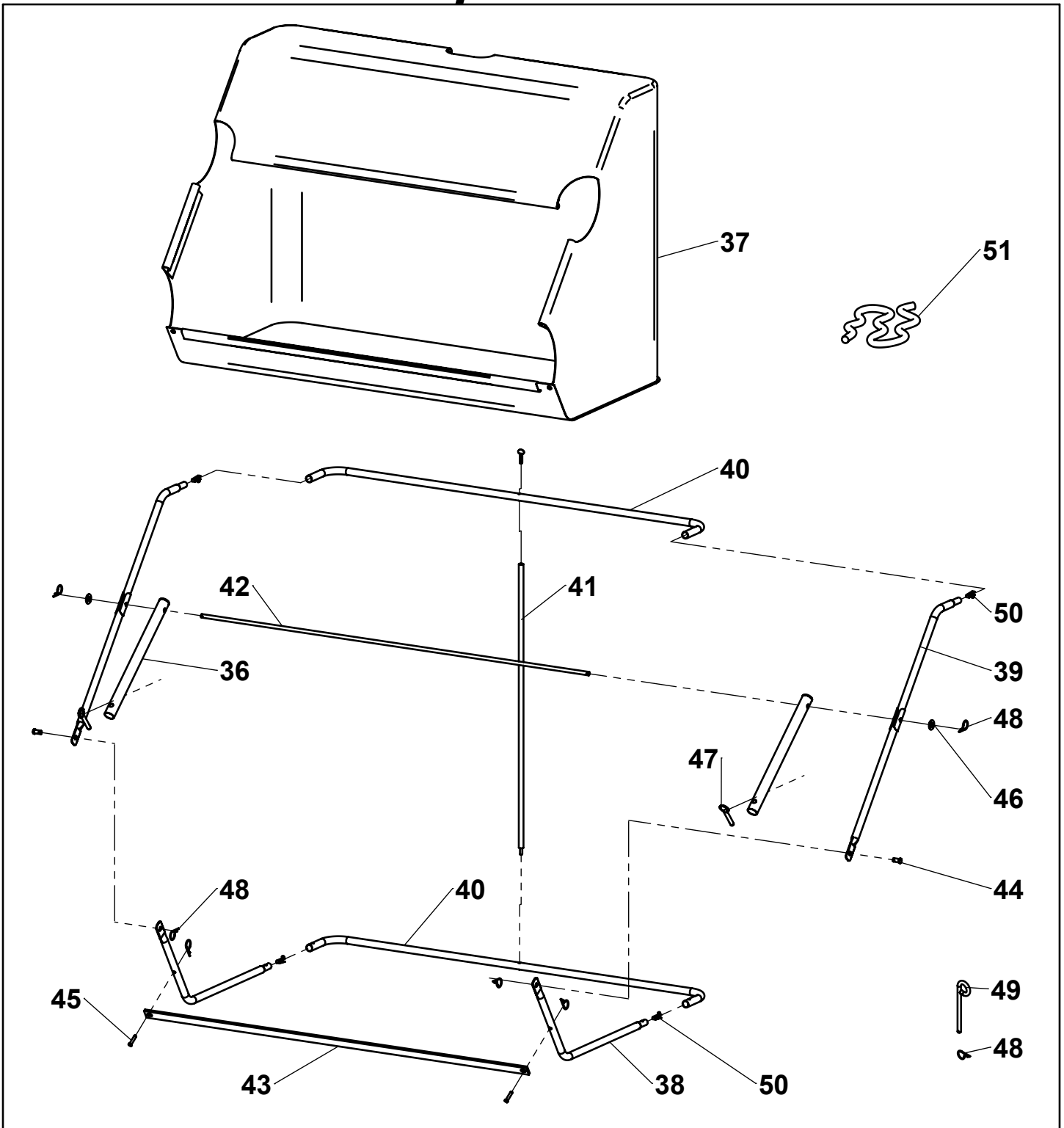
- 9/16" Wrench and Socket

Repair Parts



ITEM	PART NO.	DESCRIPTION	QTY	ITEM	PART NO.	DESCRIPTION	QTY
1	KIT	SWEPPER HOUSING	1	19	307034-B2	HITCH MOUNT TUBE	2
2	6000762-R2	HEIGHT ADJUSTMENT	1	20		3/8"-16 x 2" HEX BOLT	4
3	307181-B2	HANDLE ASSEMBLY	1	21		CURVED WASHER, 3/8" USS	10
4	307113-B2	ADJUSTMENT BAR	1	22		NYLOCK NUT, 3/8-16	11
5	307042-B2	CLEVIS PLATE, FLAT	2	23	KIT	3/8"-16 x 2-3/4" HEX BOLT	2
6	307043-B2	CLEVIS PLATE, BENT	2	24	307132	3/8"-16 x 1" HEX BOLT	2
7	307011	WHEEL ASSEMBLY	2	25		3/8"-16 x 3-1/2" HEX BOLT	3
8	6000539	DUST COVER	2	26		HAIR PIN	1
9	307241	CAP, WHEEL	2	27		WASHER, 3/8" USS	4
10	307124-B2	TUBE, 42" BRUSH	1	28	6000733-ZC	1/4" -20 X 1" CARRIAGE BOLT	8
11	307122-ZC	BRACKET, STEEL	4				
12	307121-ZC	CLAMP, STEEL	8	30	300081-ZC	COTTER PIN, 1/8" X 1-1/2"	2
13	307321	BRUSH	2	31		PINION ASSEMBLY, RIGHT	1
14	3000721-ZC	WASHER, 3/4" SAE	2	32	KIT	PINION ASSEMBLY, LEFT	1
15	3000539-ZC	1/4" -20 X 1-1/4" BOLT	20	33	6000828	BEARING ASSEMBLY	2
16	3000716-ZC	WASHER, 1/4" SAE	4	34	6000540	WHEEL BUSHING	4
17	300065-ZC	1/4" -20 LOCK NUT	28	35	6000222-ZC	SNAP BUTTON	2
18	307033-B2	TUBE, HITCH	2				

Repair Parts



ITEM	PART NO.	DESCRIPTION	QTY	ITEM	PART NO.	DESCRIPTION	QTY
36	307032-B2	CONNECTING TUBE	2	44	KIT 307133	CLEVIS PIN, 3/8" X 1/2"	2
37	6004709	HOPPER BAG	1	45		CLEVIS PIN, 1/4" X 1-1/4"	2
38	KIT 6004133-B2	BOTTOM FRAME TUBE	2	46		3/8" USS FLAT WASHER	2
39		TOP FRAME TUBE	2	47		QUICK-RELEASE PIN	2
40		CENTER FRAME TUBE	2	48		HAIRPIN	7
41	TENSION TUBE ASSEMBLY	1	49	HITCH PIN	1		
42	307051-B2	HOPPER PIVOT ROD	1	50	6000208-ZC	SNAP BUTTON	4
43	307061-B2	HOPPER STOP BAR	1	51	307361	DUMP ROPE	1