

**WEB 153**  
**Laundry Sorter**  
*Instructions*



**Customer Service**

Toll free: 800-323-5565  
Monday through Friday 9:00 AM - 4:30 PM (PST)



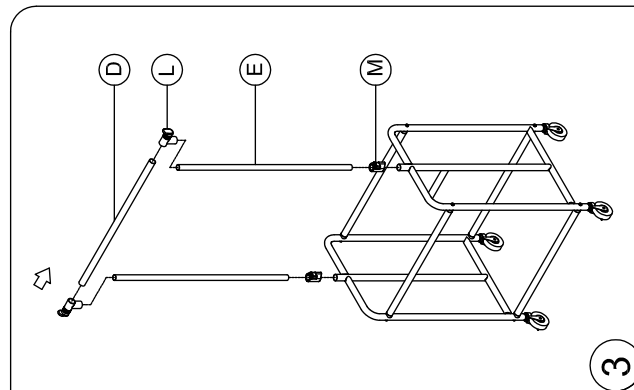
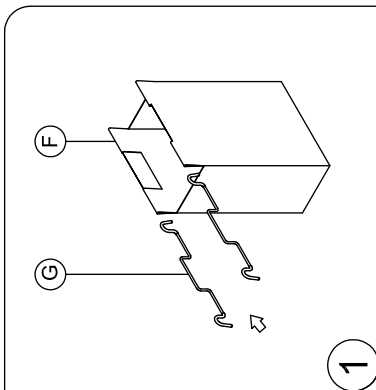
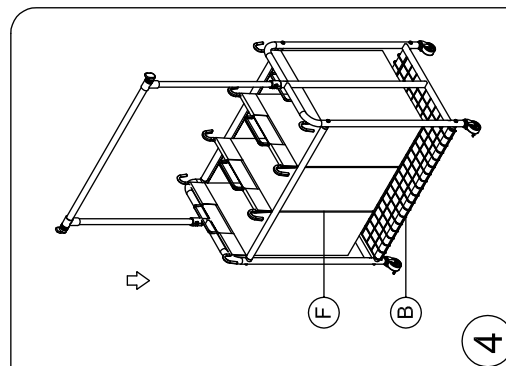
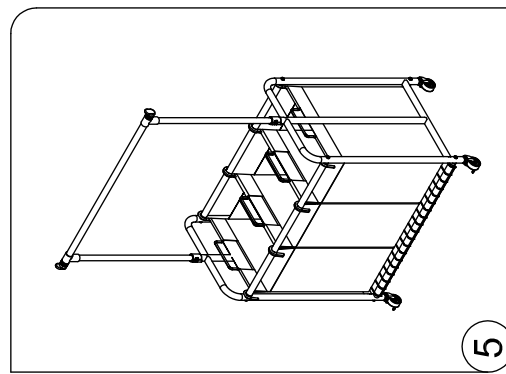
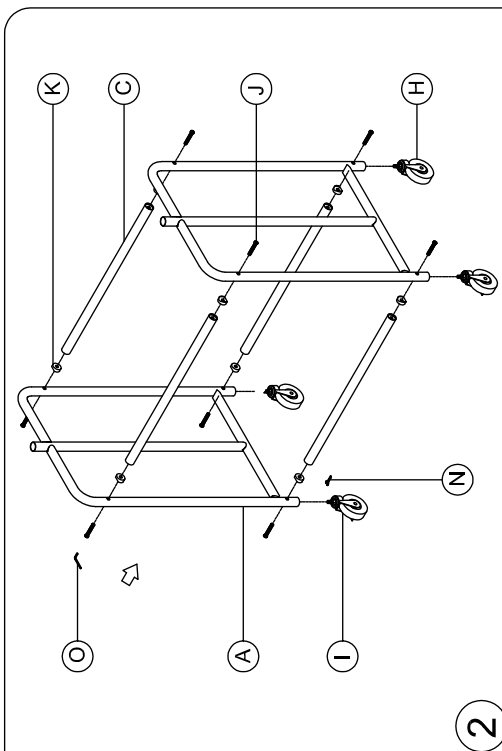
Torrance, CA 90501 USA

[www.sevilleclassics.com](http://www.sevilleclassics.com)



Torrance, CA 90501 USA

[www.sevilleclassics.com](http://www.sevilleclassics.com)



1. Slide HANDLE BAR (G) into CANVAS BAG (F).
2. Attach WHEELS (H or I) to SORTER HANDLE (A) using the provided WRENCH (N). Repeat this step for the second handle. See figure 2.
3. With the ALLEN WRENCH (O), attach SUPPORT BARS (C) to the SORTER HANDLES (A) using SCREWS (J). Place SPACERS (K) in between SORTER HANDLE (A) and SUPPORT BAR (C). See figure 2.
4. Connect HANGING BAR (D) and SLIDING BAR (E) with the CONNECTOR (L).
5. Slide POLE LOCK (M) on to the SORTER HANDLE (A).
6. Slide the assembled HANGING BAR (D + E) into the POLE LOCK (M). See Figure 3.
7. Place WIRE SUPPORT PANEL (B) between the two SORTER HANDLES (A) and onto the bottom SUPPORT BAR (C). See figure 4.
8. Place all LAUNDRY BAGS (F) on the top SUPPORT BARS (C). See figure 4.

Additional LAUNDRY BAGS available for purchase at [www.SevilleClassics.com](http://www.SevilleClassics.com)

No.	Part	Pcs
A		2
B		1
C		4
D		1
E		2
F		3
G		6
H		2
I		2
J		8
K		8
L		2
M		2
N		1
O		1