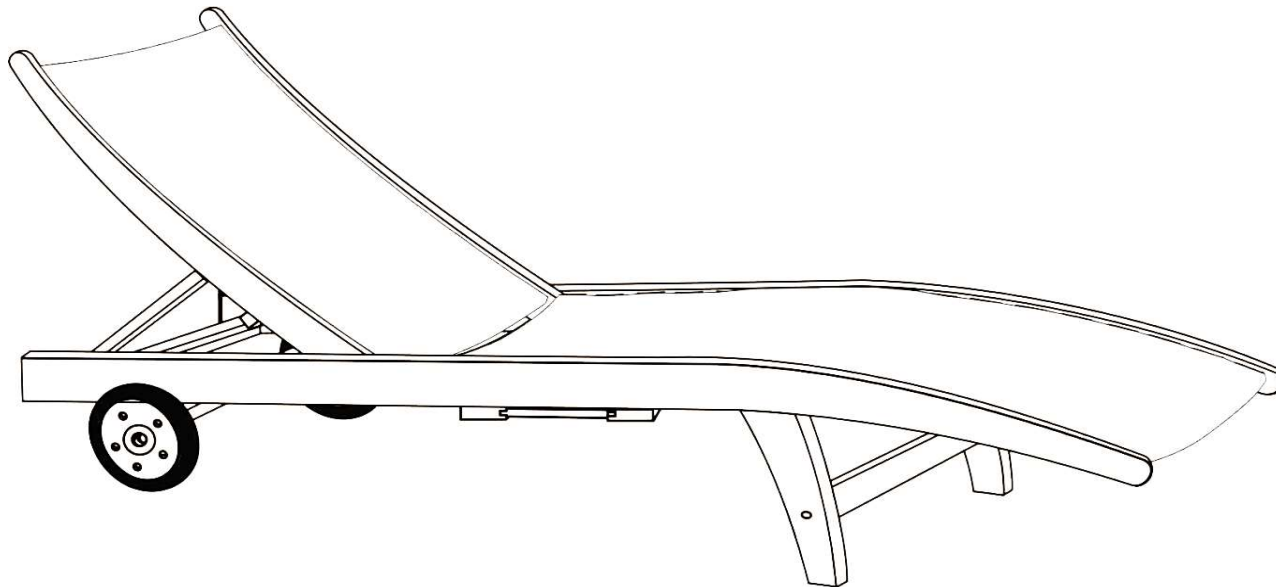


# Assembly Instructions


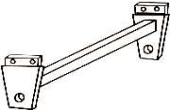


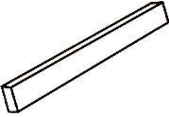
**Caution : You must read this before you proceed**





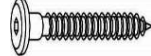


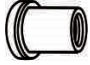

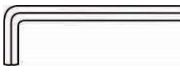
## **SUNLOUNGER**



**CAUTION:** This Sunlounge is NOT a TOY.  
 Keep your child / children at bay in the process of assembly.  
 For turning the Sunlounge and to prevent damage to the Sunlounge, 02 persons may be needed to execute this action.

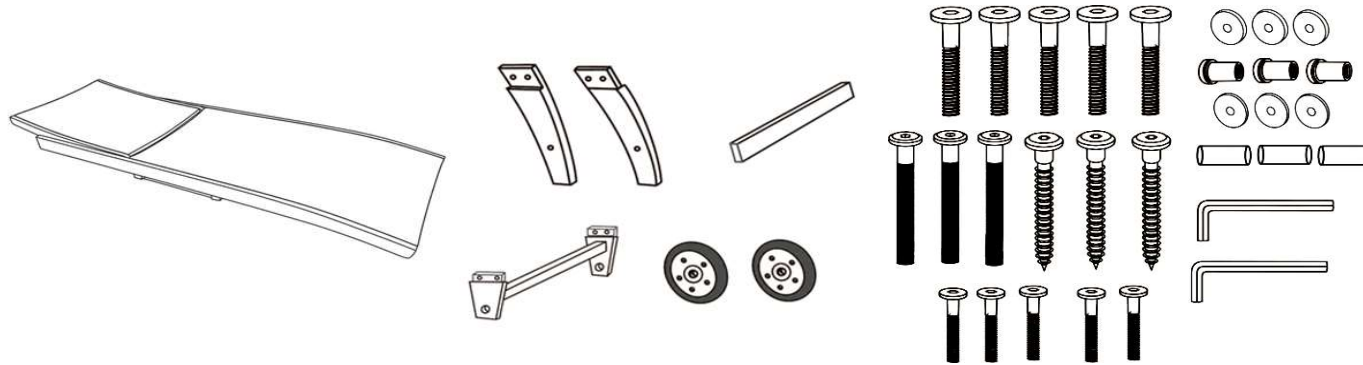
## Parts List

Label	Picture	Description	QTY
A		Seat Panel	1
B		Back Leg Panel	1
C		Left Front Leg	1
D		Right Front Leg	1
E		Leg Support Bar	1

F		Wheel	2
<b>Hardware</b>			
Label	Picture	Description	QTY
①		Bolt (M6x40mm)	5
②		Bolt (M8x55mm)	3
③		Bolt (M6x25mm)	5
④		Screw (M6x60mm)	3
⑤		Washer (M8x20x2mm)	3
⑥		Washer (M8x20x5mm)	3
⑦		Sleeve Nut (M8x15mm)	3
⑧		Iron tube for Wheel (M8x10x26mm)	3
⑨		Allan Key	2

## Assembly Preparation

### Before Beginning Assembly:



- Read instructions, cover to cover-



- Have 2 adults on hand for assembly-



- Do not assemble on flooring or carpet-



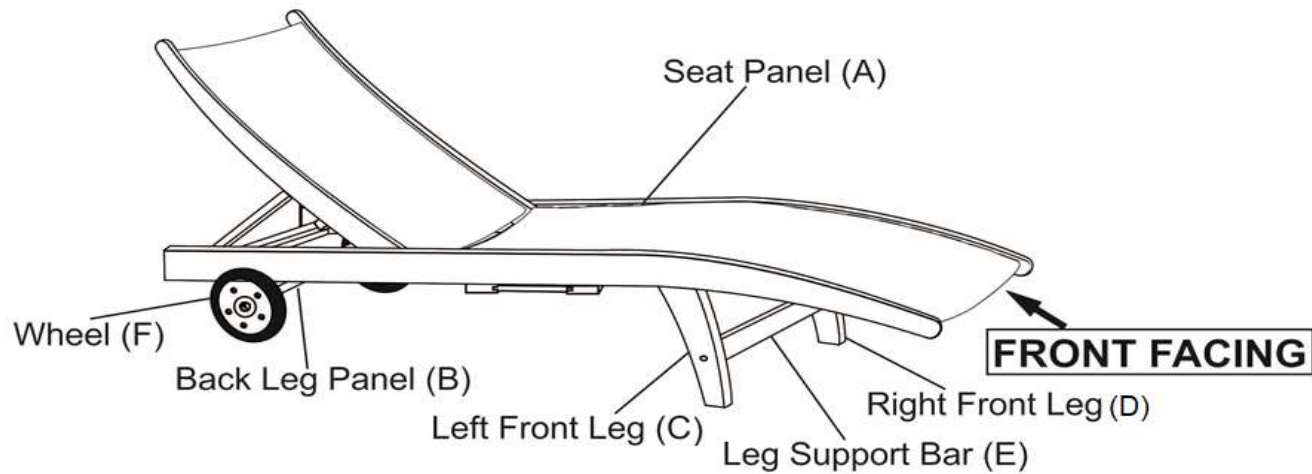
- Assemble on a clean non-marring surface (packing foam)-



- Save all packaging until finished-

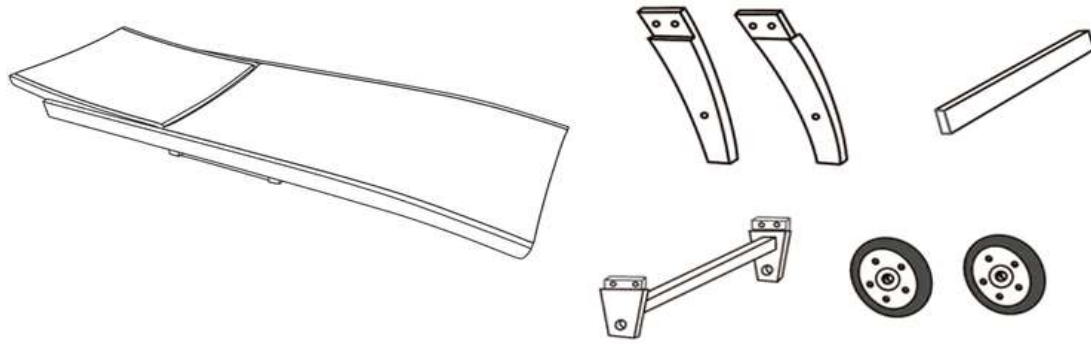
## Assembly Steps

## Overview



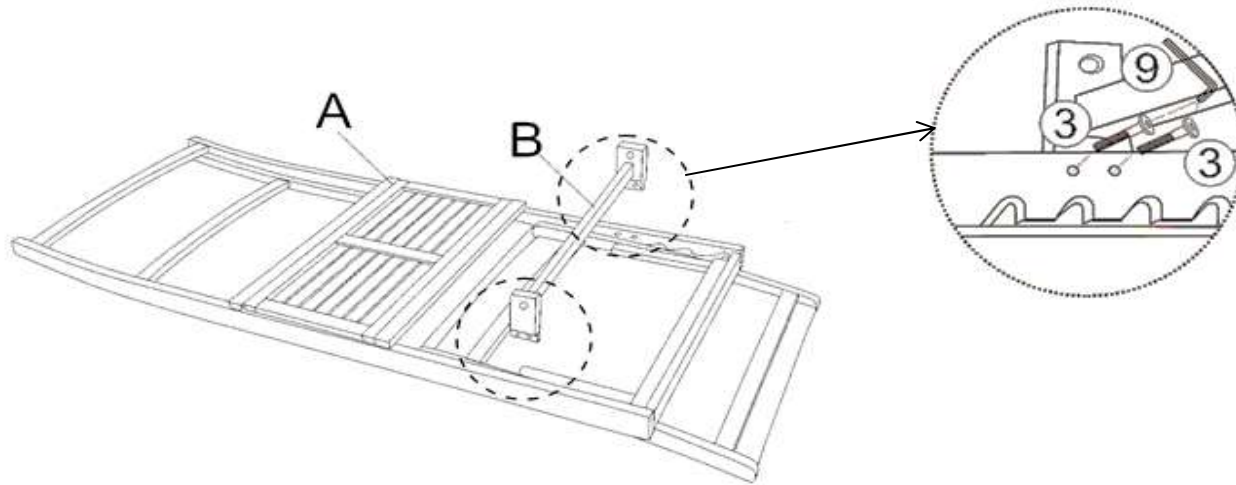
This Sunlounger has multiple parts and may require up to 30 minutes to assemble. To give you an overview of the Sunlounger parts, the above picture is to help you put the various parts into perspective. Please read through the instructions below to familiarise yourself with the parts and steps before assembly.

## Step 1



Unpack and place all parts on a clean, non-marring surface.

## Step 2

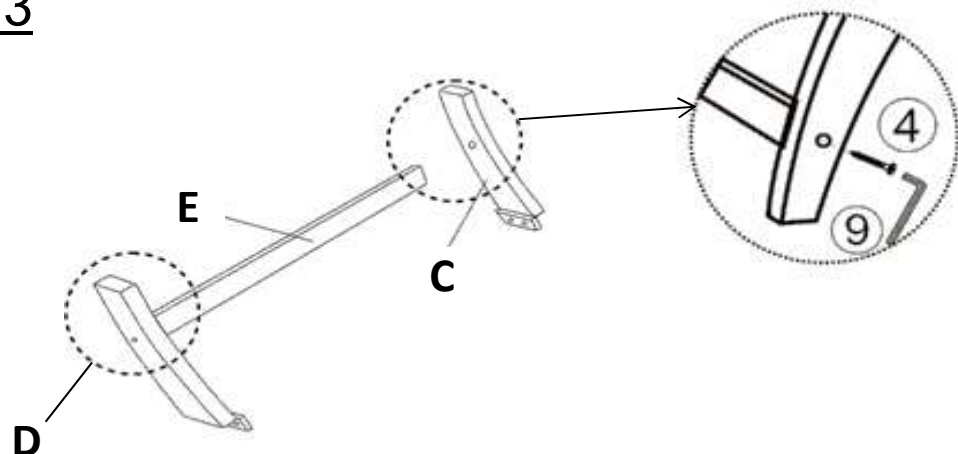


Place Seat Panel(A) facedown on a clean, non-marring surface.  
Position the Back Leg Panel (B) to Seat Panel (A) as pictured above by using Bolts (③) with Allen Key (⑨).

**Do not fully tighten the Bolts.**

**Caution: At the same time, please don't place your hands between the gaps to avoid injury.**

### Step 3



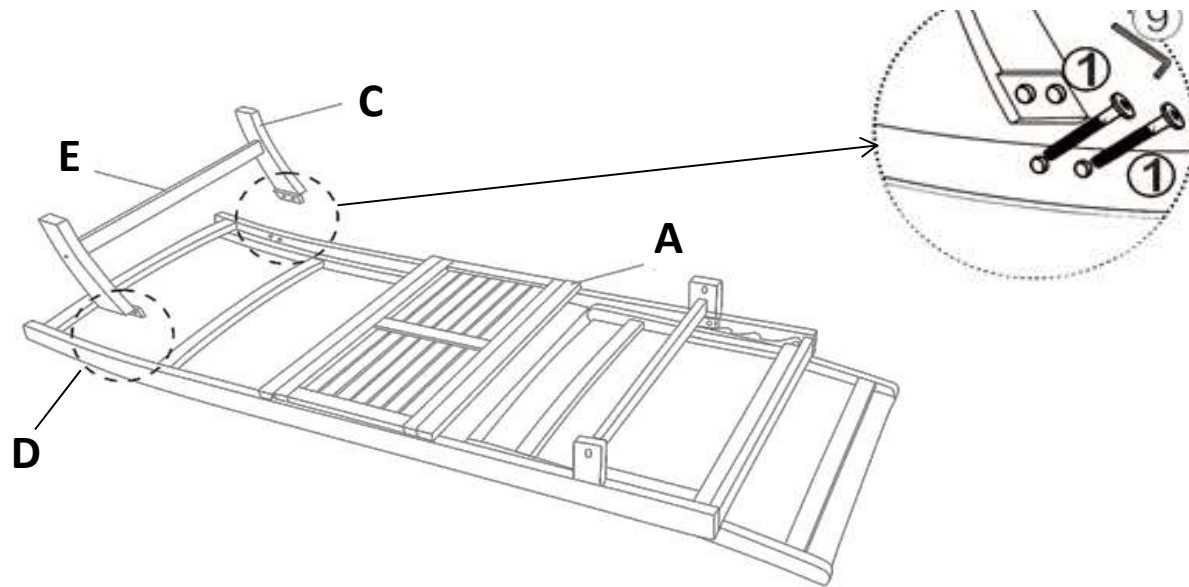
Attach Left Front Leg (C) to Leg Support Bar (E) by using Screws (④) with Allen Key (⑨).

Repeat the same process for Right Front Leg (D) with the remaining Leg Support Bar (E).

**Do not fully tighten the Screws.**

### Step 4



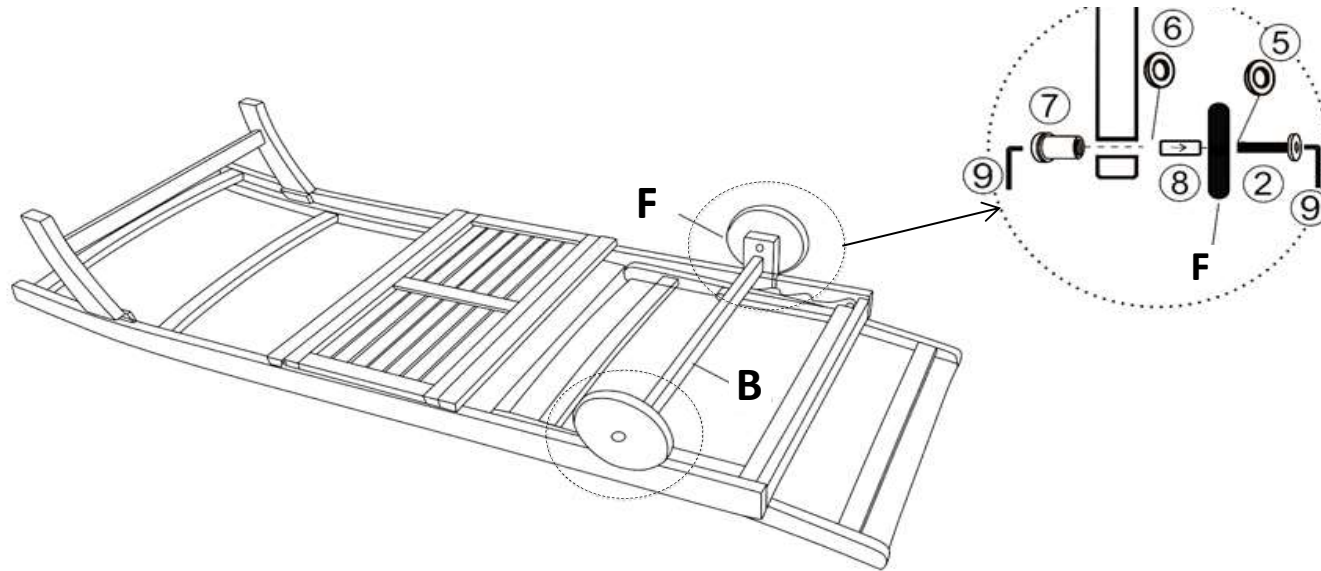


Attach the Pre-assembled in step 3 to Seat Panel (A) by using Bolts (1) with Allen Key (9).

**Do not fully tighten the Bolts.**

Step 5





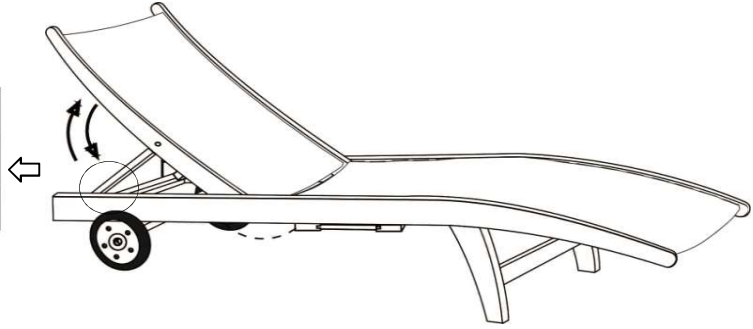
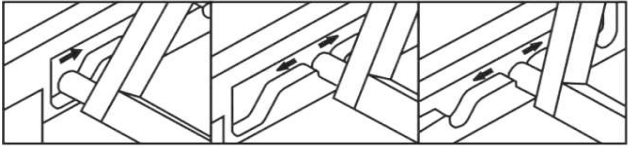
Attach one of Wheel (F) to Back Leg Panel (B) by using Bolt (②), Washer (⑤), Iron tube for Wheel (⑧), Washer (⑥) and Sleeve Nut (⑦) with Allen Key (⑨) in sequence as shown on the picture above.

Then, repeat the same process of this step to attach the other Wheel (F) to the remaining Back Leg Panel (B).

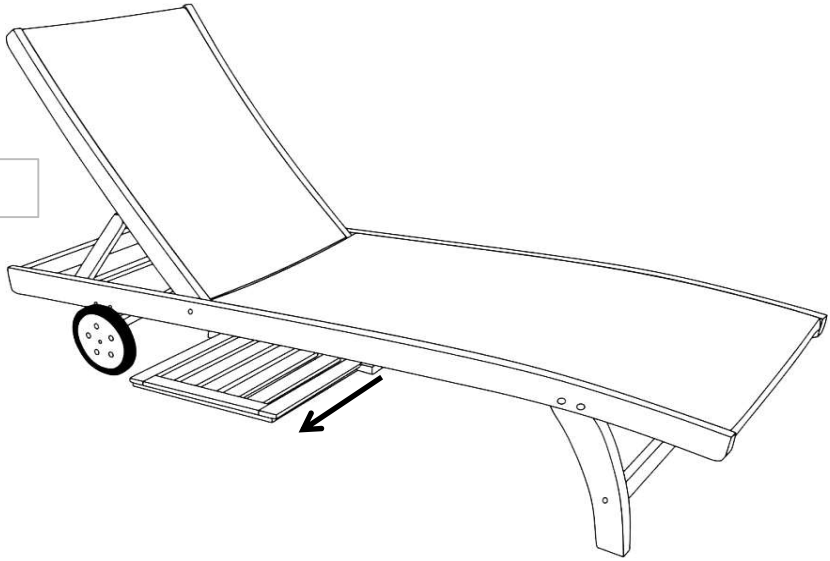
**Do not fully tighten the Bolts.**

Step 6

6.1



6.2



Carefully sit onto the Sunlounger.

This pressure will help the Sunlounger reach full alignment at all joints. In a sequential manner, gradually tighten all Bolts and Screws until evenly secured.

Inspect the Sunlounger and make sure all parts are adequately connected.

Your Sunlounger is ready for use.











**This Sunlounger can only be used on a flat, level surface.**

**Note:**

**6.1) Align the Backrest of Sunlounger in position you want**

**6.2) By hand, push the tray out when using or pull the tray in if not using**

## Care & Maintenance

-   ● Do not put hot items directly on furniture surface
-   ● Do not clean furniture with harsh cleansers or polish.
-   ● To obtain the longest lifespan of your outdoor products, minimizing exposure to direct sunlight is recommended.
-   ● Children should not climb or jump on the furniture.
-   ● Do not write on furniture without a padded barrier to protect the surface.



- To obtain the longest lifespan of your outdoor products, avoid extended and lengthy exposure to rain, snow, and direct sunshine. Whenever possible cover the product and /or place under patio or awnings.



- Not for commercial use. For residential use only .



- Stains may be removed with mild soap solution and damp cloth.



- Keep away from sources of ignition.



- Dust and pick-up spills using a clean, non-colored, lint-free cloth.