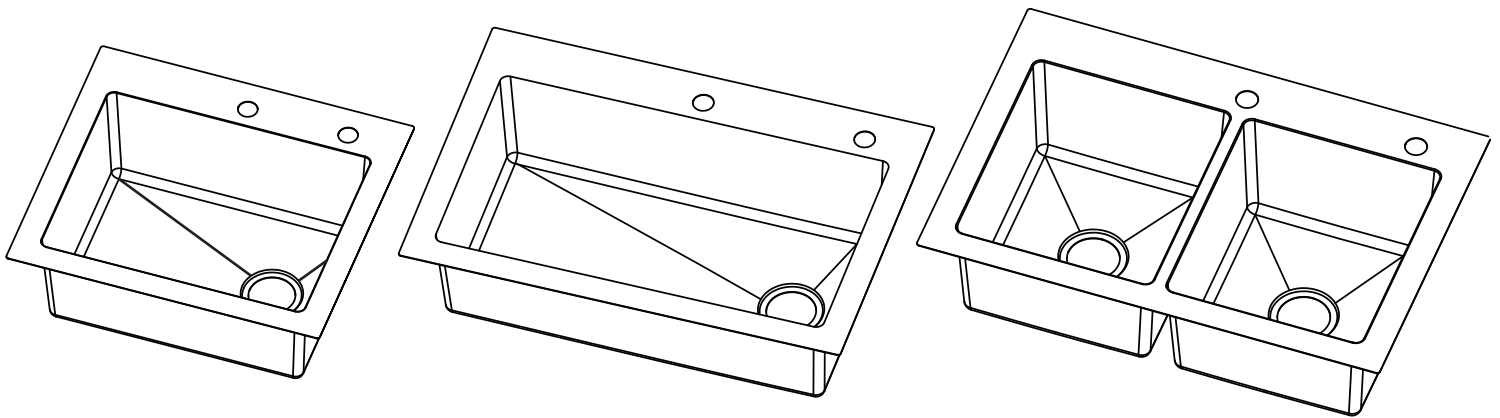


# USE AND CARE GUIDE

---

## STAINLESS STEEL KITCHEN SINK



Questions, problems, missing parts? Before returning to the store,  
call Glacier Bay Customer Service  
8 a.m. - 7 p.m. EST, Monday - Friday and Saturday 9 a.m. - 6 p.m.

**1-855-HD-GLACIER**

**[HOMEDEPOT.COM/GLACIERBAY](http://HOMEDEPOT.COM/GLACIERBAY)**

---

**THANK YOU**

*We appreciate the trust and confidence you have placed in Glacier Bay through the purchase of this sink. We strive to continually create quality products designed to enhance your home. Visit us online to see our full line of products available for your home improvement needs. Thank you for choosing Glacier Bay!*

# Table of Contents

Table of Contents .....	2	Hardware Included .....	3
Safety Information .....	2	Package Contents .....	4
Warranty .....	2	Topmount Installation .....	8
Pre-Installation .....	3	Undermount Installation .....	10
Planning Installation .....	3	Care and Cleaning .....	13
Tools Required .....	3	Service Parts .....	14

# Safety Information

Please carefully read this guide before installing or using this product. Store this guide in a safe place for future reference.



**WARNING:** Risk of personal injury. Metal surfaces are sharp and can cause severe cuts. Use gloves and handle sink edges carefully.

**NOTICE:** Specialized tools may be required to install the sink to countertop surfaces other than wood or wood composites.

**NOTICE:** The number of clips included with your sink may differ from the number of clips illustrated. Use all clips included with this sink.

**NOTICE:** Allow the sealant to cure following the sealant manufacturer's instructions.

# Warranty

## LIMITED LIFETIME WARRANTY

Glacier Bay products are manufactured with superior quality standards and workmanship and are backed by our limited lifetime warranty. Glacier Bay products are warranted to the original consumer purchaser to be free of defects in materials or workmanship. We will replace FREE OF CHARGE any product or parts that proves defective. Simply, return the product / part to any of The Home Depot retail locations or call 1-855-HDGLACIER (1-855-434-5224) to receive the replacement item. Proof of purchase (original sales receipt) from the original consumer purchaser must be made available for all Glacier Bay warranty claims.

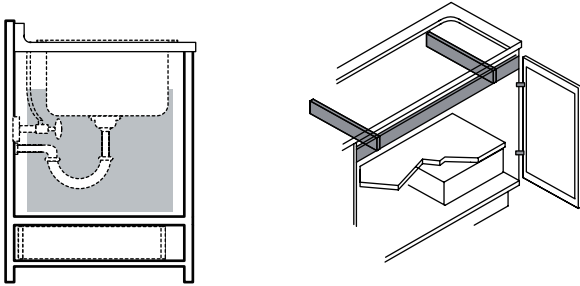
This warranty excludes incidental/inconsequential damages and failures due to misuse, abuse or normal wear and tear. This warranty excludes all industrial, commercial & business usage, whose purchasers are hereby, extended a five year limited warranty from the date of purchase, with all other terms of this warranty applying except the duration of warranty.

Some states and provinces do not allow the exclusion or limitation of incidental or consequential damages, so the above limitations may not apply to you. This warranty gives you specific legal rights and you may also have other rights that vary from state to state and province to province. Please see a store or contact 1-855-HDGLACIER for more details.

# Pre-Installation

## PLANNING INSTALLATION

Before installation, verify the cabinet clearance:



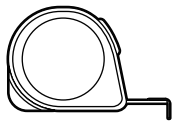
Compare all parts with the Hardware Included and Package Contents lists in this manual. Check the surface of the sink for any flaws or damage, including dents, bends, bumps, or scuff marks. If any damage is noticed or parts are missing, do not proceed with the installation.

Contact the Customer Service Team at 1-855-HD-GLACIER or visit [www.HomeDepot.com/GLACIERBAY](http://www.HomeDepot.com/GLACIERBAY).



**NOTE:** This sink is a topmount/undermount installation.

## TOOLS REQUIRED



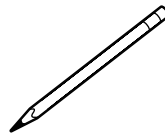
Measuring tape



Safety goggles



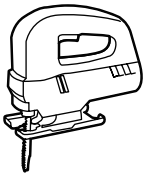
Phillips screwdriver



Pencil



Hacksaw



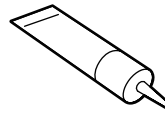
Saber saw or Jig saw



Electric drill



Wrenches



Silicone sealant

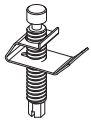


Flathead screwdriver

## HARDWARE INCLUDED

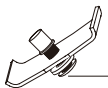


**NOTE:** Hardware not shown to actual size. These screws can be installed with power tools.



Part	Description	Quantity
AA	Topmount clip	10

## HARDWARE REQUIRED (NOT INCLUDED)



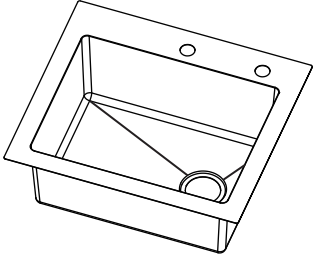
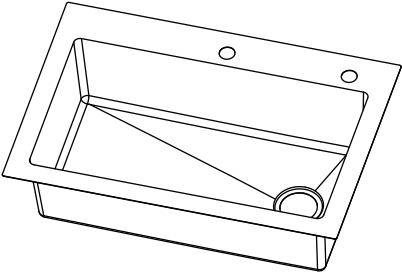
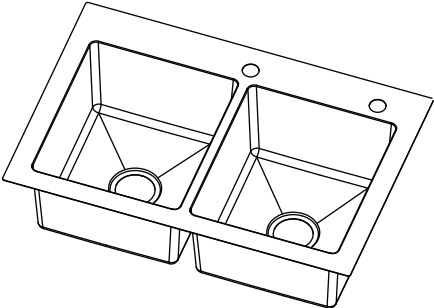
Undermount Clips (10 recommended)

# Pre-Installation (continued)

## PACKAGE CONTENTS



**NOTE:** The manual only displays the assembly for double bowl sink, but the assembly instruction is including but not limited to below SKU & configuration

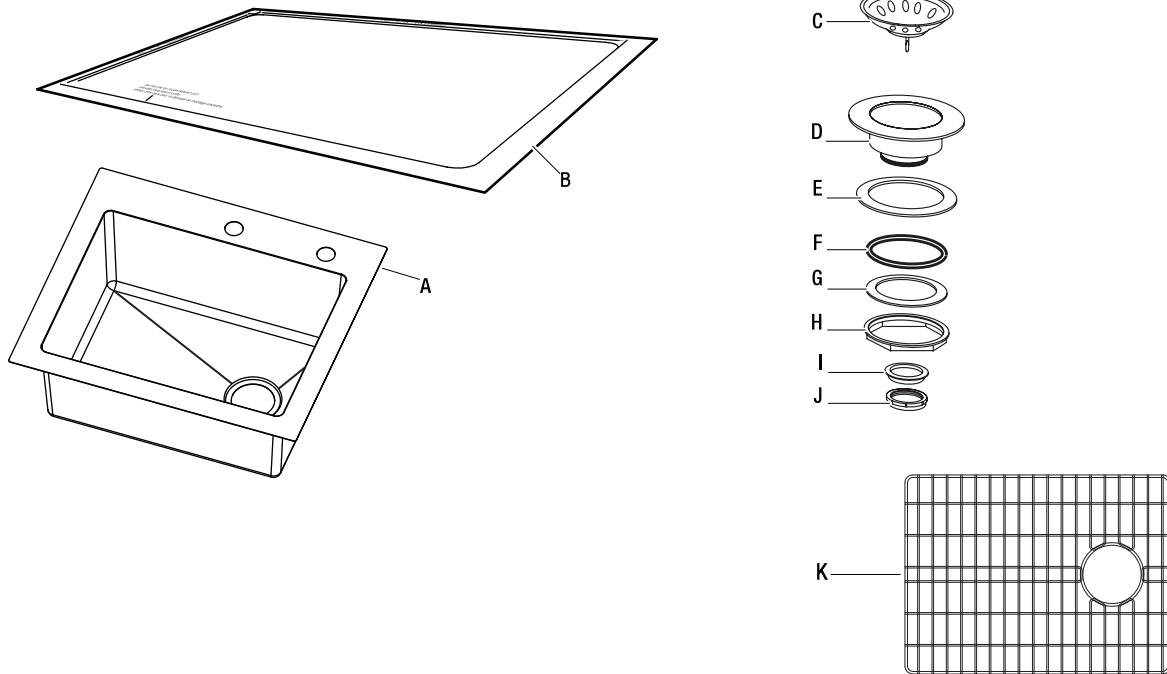
SKU#	Model#	Bowls	Picture
	VDR2522A1	Single	
	VDR3322A1	Single	
	VDR3322A0	Double	



**NOTE:** Please matching your purchased product for below pages

# Pre-Installation (continued)

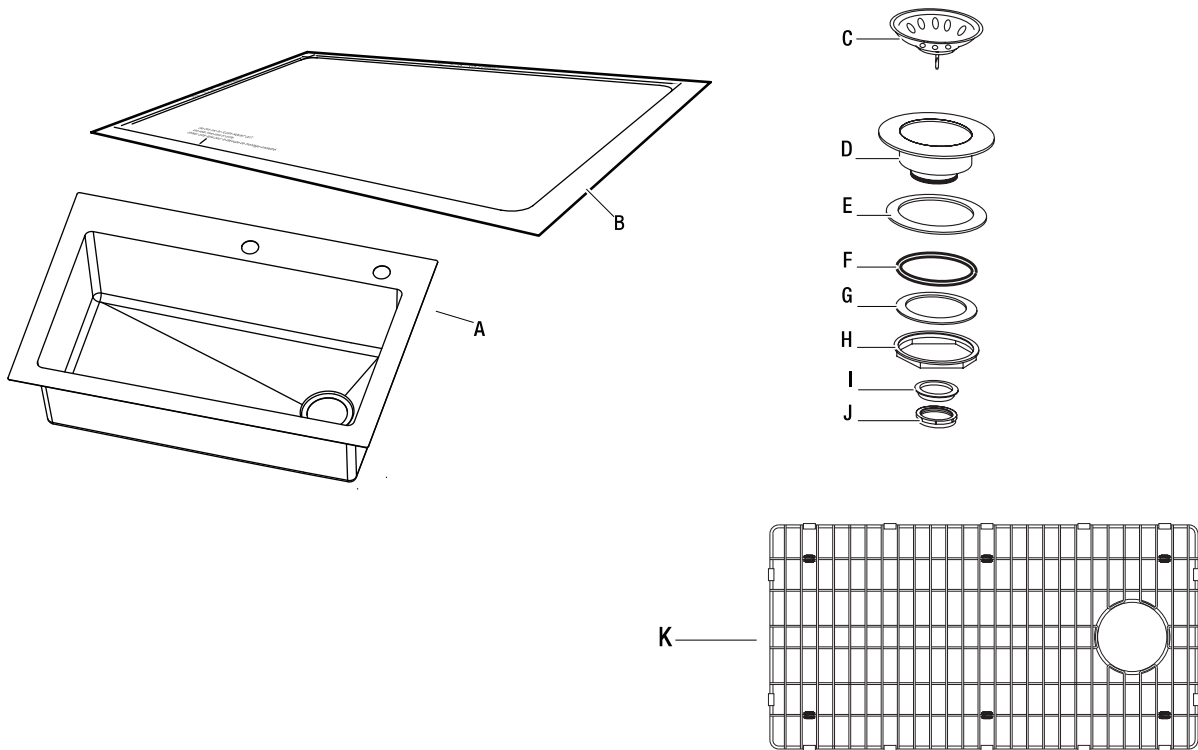
## PACKAGE CONTENTS



Part	Description	Quantity
A	Sink	1
B	Topmount/Undermount template	1
C	Screener	1
D	Bowl	1
E	Strainer ring	1
F	Rubber washer	1
G	Paper washer	1
H	Locknut	1
I	Plastic joint	1
J	Connecting nut	1
K	Sink grid	1

# Pre-Installation (continued)

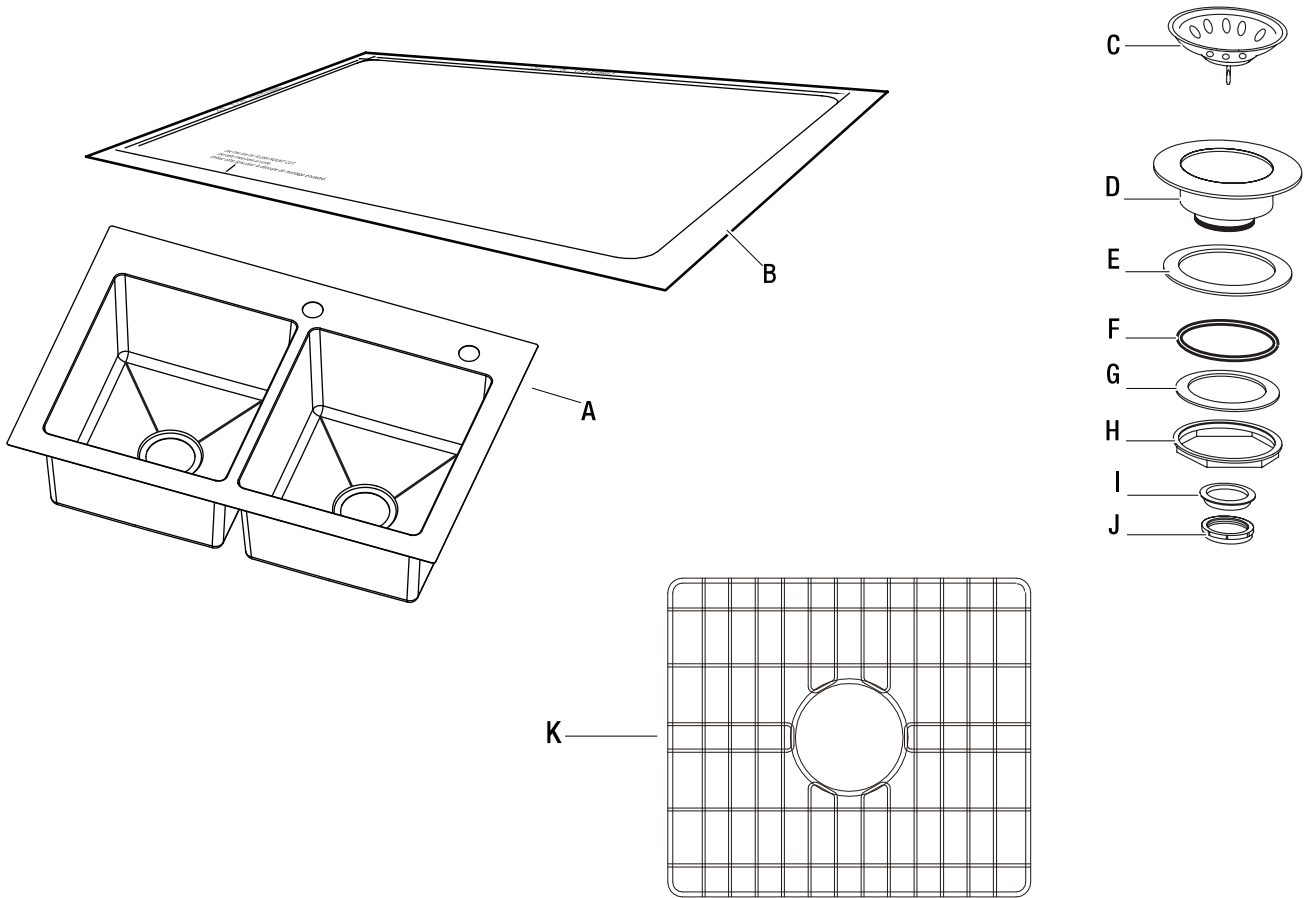
## PACKAGE CONTENTS



Part	Description	Quantity
A	Sink	1
B	Topmount/Undermount template	1
C	Screener	1
D	Bowl	1
E	Strainer ring	1
F	Rubber washer	1
G	Paper washer	1
H	Locknut	1
I	Plastic joint	1
J	Connecting nut	1
K	Sink grid	1

# Pre-Installation (continued)

## PACKAGE CONTENTS

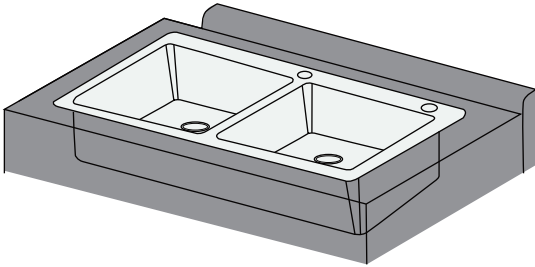


Part	Description	Quantity
A	Sink	1
B	Topmount/Undermount template	1
C	Screener	2
D	Bowl	2
E	Strainer ring	2
F	Rubber washer	2
G	Paper washer	2
H	Locknut	2
I	Plastic joint	2
J	Connecting nut	2
K	Sink grid	2

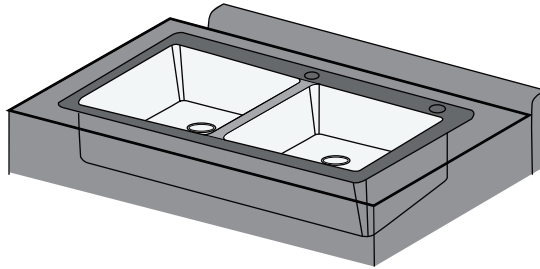
# Installation Types

You can choose to install this sink over your countertop (Type 1: Topmount) or under your countertop (Type 2: Undermount) according to your taste and needs.

Type 1: Topmount



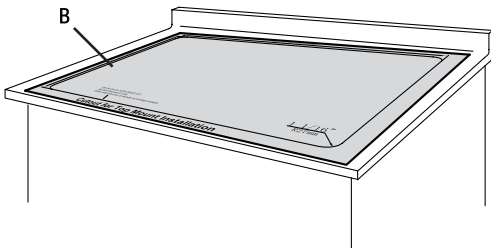
Type 2: Undermount



## Topmount Installation

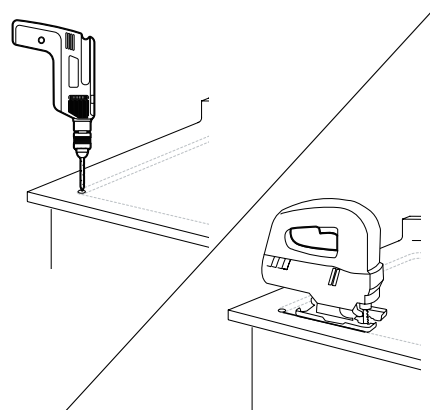
### 1 Preparing the countertop

- Center the template (B) on the counter so that it is parallel to the counter edge and that the installation hole will not interfere with the structure of the cabinet.
- Tape the template (B) to the countertop to keep it in place and trace the cutout line on the template (B) with a pencil.



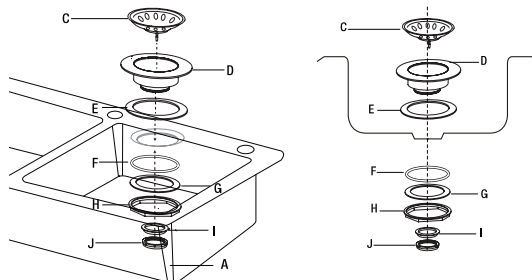
### 2 Cutting the installation hole

- Drill a pilot hole and cut the countertop opening. Use the appropriate cutting tool for the surface you are cutting.



### 3 Installing the strainer assembly

- Place the sink (A) into the installation hole to verify the fit. Adjust the cutout if necessary.
- Install the strainer assembly as these steps describe. It is easier to install the strainer assembly to the sink before the sink is installed to the cabinet.
  - 1) Apply a small amount of plumber's putty (not included) in the notch around the drain hole of the sink (A). Place the strainer ring (E) on top of the drain hole in the sink (A).
  - 2) Insert the screener (C) into the bowl (D) and place this assembly into the drain hole in the sink (A).
  - 3) From underneath the sink (A), place the rubber washer (F), paper washer (G), locknut (H), plastic joint (I), and connecting nut (J) over the drain hole in the sink (A).
  - 4) Tighten the locknut (H) and connecting nut (J) to hold the strainer assembly securely in place.

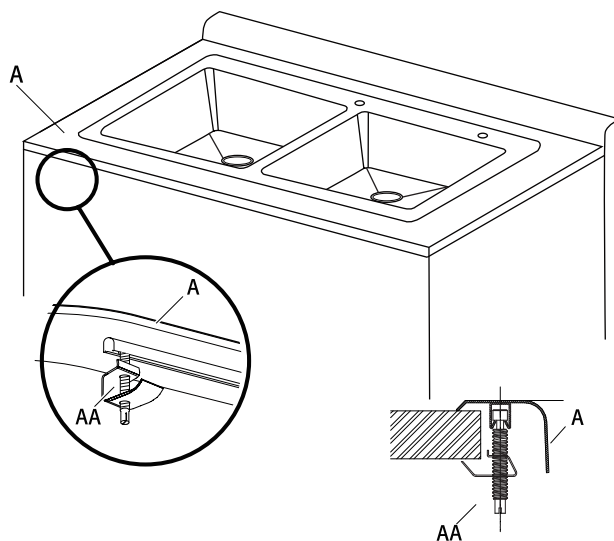




## Topmount Installation (continued)

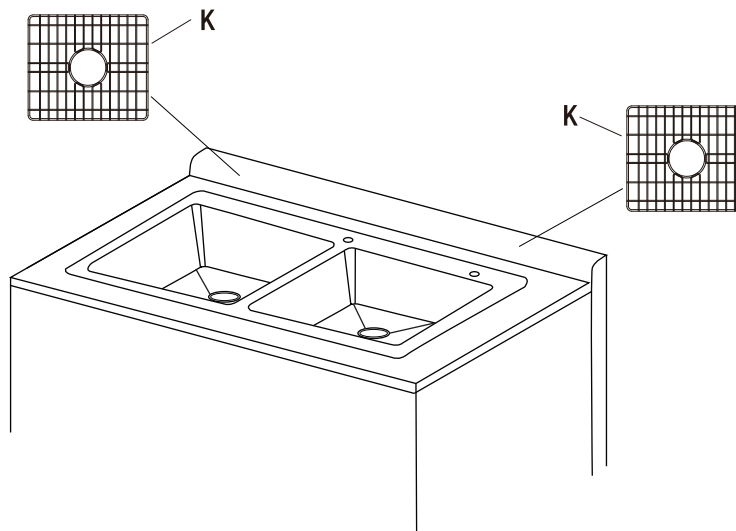
### 4 Installing the sink

- Apply silicone sealant (not included) around the underside and lip of the sink (A).
- Carefully lower the sink (A) into the counter.
- Attach the mounting clips (AA).
- Tighten the screws on the top mount clips (AA) evenly until the sink (A) is flush with the counter. Do not over-tighten.
- These screws can be installed with power tools.
- Wipe excess sealant with a rag.



### 5 Installing the grid

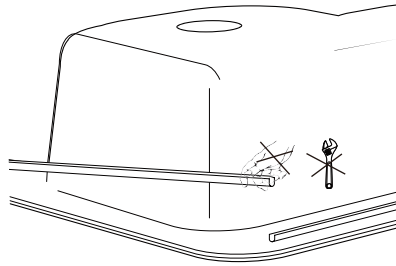
- When finished, place the sink grid (K) into the sink.



# Undermount Installation

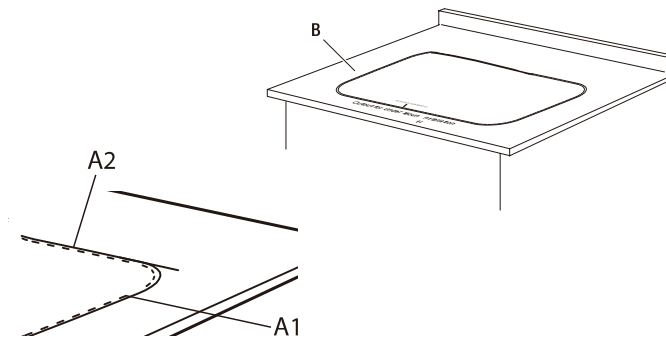


**WARNING** When you choose undermount style installation, please do not pull out the installation rail shown in this illustration. This will cause the sink to be damaged beyond repair. It is strongly recommended that you use a professional installer if you choose the undermount installation.



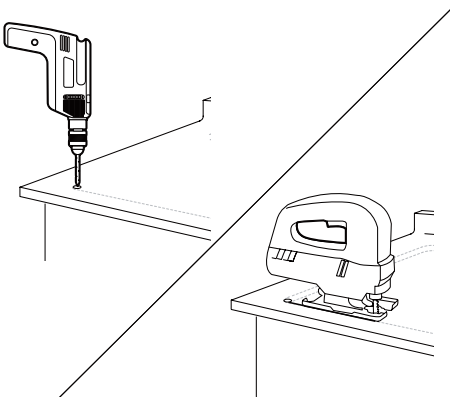
## 1 Preparing the countertop

- Check the template (B) and select the cutline you want: line A1 is bowl size; line A2 is 1/2 in wider than bowl size. If you choose line B, please tear off the template through the broken line. Place the template (B) on the countertop. Ensure the template is centered on the counter so that it is parallel to the counter edge and that the installation hole will not interfere with the structure of the cabinet.
- Tape the template (B) to the countertop to keep it in place and trace the cutout line on the template (B) with a pencil.



## 2 Cutting the installation hole

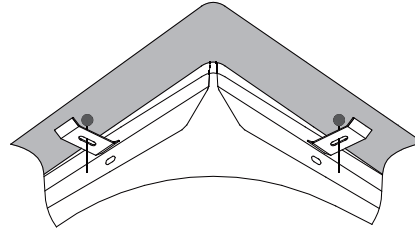
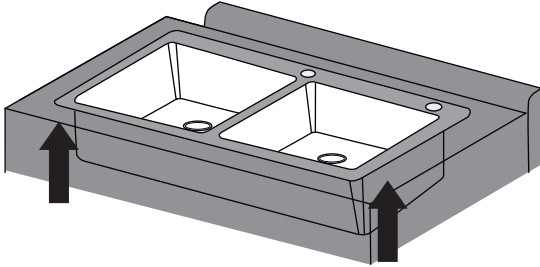
- Drill a pilot hole and cut the countertop opening. Use the appropriate cutting tool for the surface you are cutting.



## Undermount Installation (continued)

### 3 Preparing the sink

- Place the sink underneath the countertop cutout; and check if the cutout is fit for the sink; adjust the cutout if necessary. Place a stand under the sink to facilitate installation and avoid dropping.
- Place the mounting clips (not included) as shown in the attached template and mark the centers of the clip on the countertop.

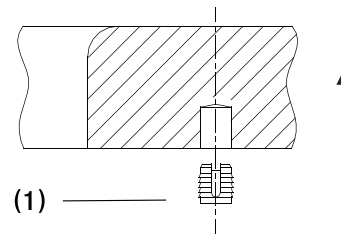
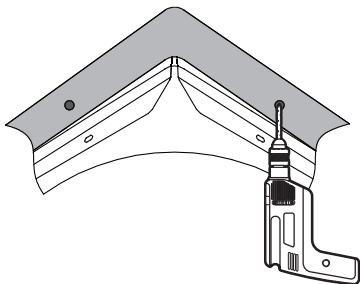


### 4 Installing the accessories to the sink

- Place refer to steps 3 on pages 8. It is easier to install the sink accessories to the sink before installing the sink to the cabinet.

### 5 Attaching the mounting clips (not included)

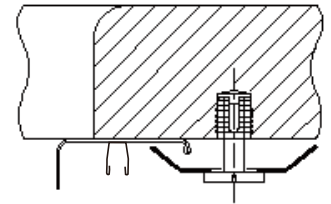
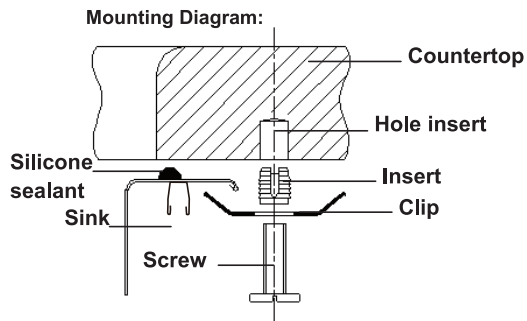
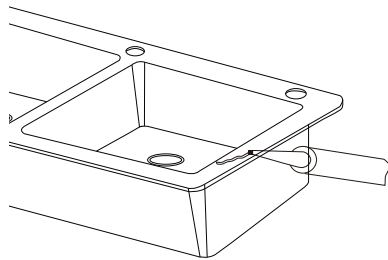
- Drill mounting holes in the clip center mark from step 3.
- Insert the inserts (1) in the holes so they are completely inside the hole. If necessary, gently tap the insert.



### 6 Installing the sink

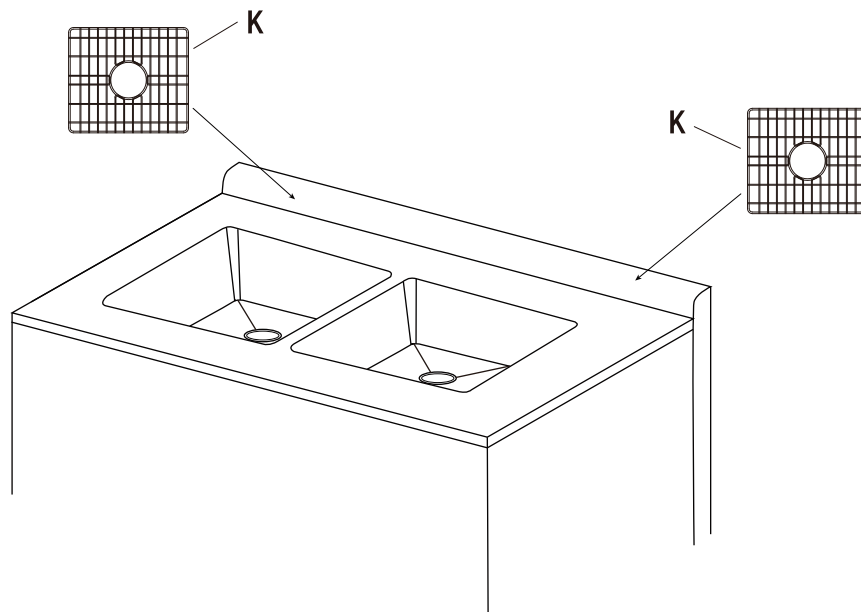
- Apply a bead of silicone around the perimeter of the top of the sink.
- Position and align the hollow beneath the sink countertop.
- Once the sink is in the correct position, install the mounting clips (not included). Tighten the mounting clips until the sink rim is aligned to the countertop. Check the alignment while squeezing, so that the front of the sink (A) is parallel to the countertop. Adjust and retighten if necessary. Do not over tighten.
- Clean the excess sealant with a rag.

# Undermount Installation (continued)



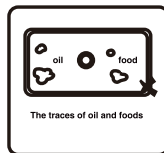
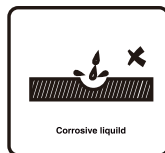
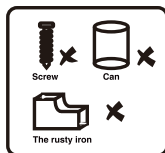
## 7 Installing the grids

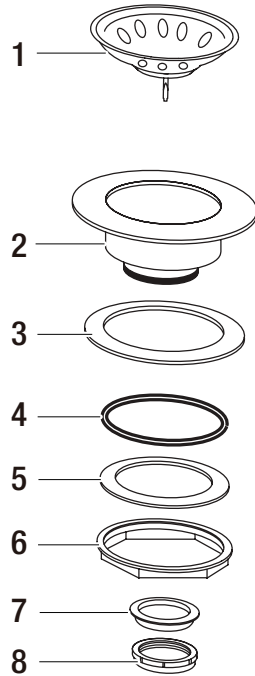
- When finished, place the sink grids (K) into the sink.



## Care and Cleaning

- Daily, regular cleaning to remove dirt and prevent staining is recommended. Use liquid dish detergent, water and a soft household sponge.
- Mild, non-abrasive cleaners can be used with a nylon scrub pad. To ensure a uniform appearance in a stainless steel sink surface, rinse with water and wipe down the sink with a soft, dry cloth. Drying the sink will prevent water spots caused by time in the water.
- Remove stubborn stains from lime or calcium deposits by pouring a little warm vinegar or vinegar-based cleaner into the sink and allow it to sit for a few minutes. Rinse with clean water and dry.
- Scratches are inevitable during your usage over time. Use a nylon pad with an iron free abrasive polishing compound. Follow the original polish lines to blend out the scratch in a small area. Be careful not to overdo as aggressive scrubbing will result in a bright spot.
- DO NOT use strong abrasive cleaners, metal scrub pads, or steel wool. These will scratch the surface.
- DO NOT leave rubber mats or sponges inside the sink. Water trapped below could lead to stains.
- DO NOT let food with a high salt content sit inside the sink for prolonged periods of time.
- DO NOT allow chlorine bleach to sit inside a stainless steel sink for more than 1 hour.
- DO NOT allow drain cleaners to come into contact with the sink surface.
- DO NOT pour paint in your sink. The chemicals in acrylic paint will react with sinks if allowed to sit over 24 hours and will produce permanent marks. For latex based paints, remove any residue immediately using a paint remover manufactured by the same brand. Consult the paint remover recommendations before using on the sink. For all sinks, we also recommend nail polish remover, rubbing alcohol or an acetone based paint remover to eliminate paint residue.
- Rust spots – Stainless steel does not rust. Rust stains are the result of iron particles introduced by water, cookware, and steel wool pads that react with water to create rust. Metal cleaners will remove rust spots.
- Food stains – Depending on the severity of the stain, use a bleach and water solution or pour the bleach onto a cloth and cover the stain. Allow the bleach to sit for at least 1/2 hour and then clean with dish detergent and water.





Part	Description	Part Number
1	Screener	ST-001
2	bowls	ST-002
3	Strainer Ring	ST-003
4	Rubber washer	ST-004
5	Paper washer	ST-005
6	Locknut	ST-006
7	Plastic joint	ST-007
8	Connecting nut	ST-008



Questions, problems, missing parts? Before returning to the store,  
call Glacier Bay Customer Service  
8 a.m. - 7 p.m. EST, Monday-Friday and Saturday 9 a.m. - 6 p.m.

1-855-HDGLACIER

[HOMEDEPOT.COM/GLACIERBAY](https://www.homedepot.com/glacierbay)

Retain this manual for future use.

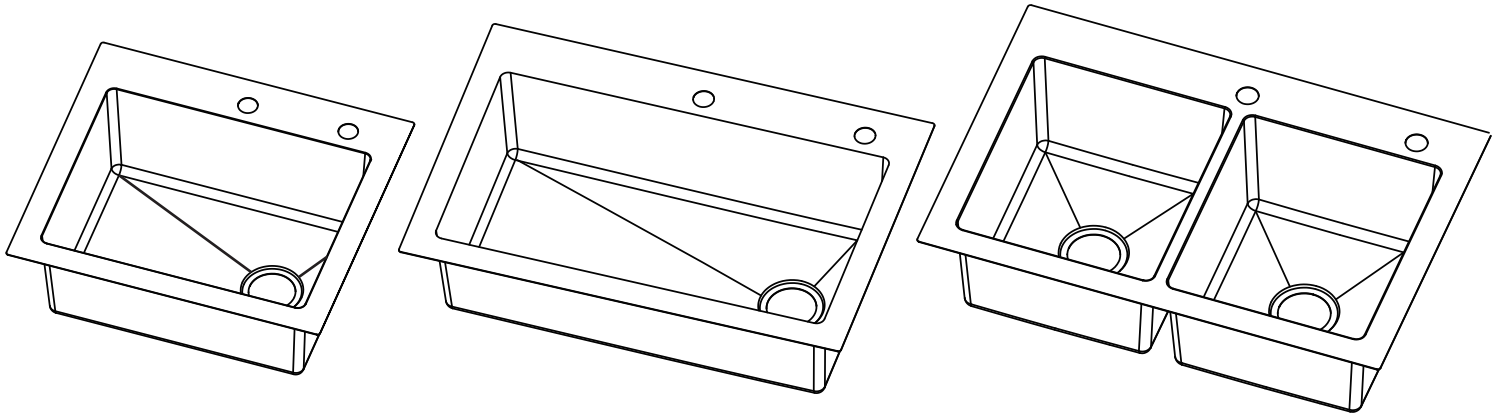


SKU#  
Model# VDR2522A1 /  
VDR3322A1/  
VDR3322A0

## GUÍA DE USO Y CUIDADO

---

### Fregadero de cocina de acero inoxidable



¿Tiene preguntas o problemas, o le faltan piezas? Antes de devolver a la tienda,  
llame al servicio de atención al cliente de Glacier Bay  
Lunes a viernes de 8:00 a.m. – 7:00 p.m., EST y los sábados de 9:00 a.m. – 6:00 p.m., EST.

**1-855-HDGLACIER**

**HOMEDEPOT.COM/GLACIERBAY**

---

#### GRACIAS

*Agradecemos la confianza que ha depositado en Glacier Bay mediante la compra de este fregadero. Nos esforzamos continuamente para crear productos de calidad diseñados para mejorar su hogar. Visítenos en línea para ver nuestra línea completa de productos disponibles para sus necesidades de mejoramiento del hogar. ¡Gracias por elegir Glacier Bay!*



# Índice

Índice .....	2	Herraje incluido.....	3
Información de seguridad .....	2	Contenido del paquete .....	4
Garantía.....	2	Instalación por arriba .....	8
Preinstalación.....	3	Instalación por abajo .....	10
Planificación de la instalación .....	3	Cuidado y limpieza .....	13
Herramientas requeridas.....	3	Rupuestos .....	14

# Información de seguridad

Lea atentamente esta guía antes de instalar o utilizar este producto. Guarde esta guía en un lugar seguro para referencia futura.



**ADVERTENCIA:** Riesgo de lesiones personales. Las superficies metálicas son afiladas y pueden causar cortes severos. Use guantes y manipule cuidadosamente los bordes del fregadero.

**AVISO:** Se pueden requerir herramientas especializadas para instalar el fregadero en superficies de encimera que no sean de madera o compuestos de madera.

**AVISO:** El número de presillas incluidas con su fregadero puede diferir del número de presillas ilustradas. Utilice todas las presillas incluidas con este fregadero.

**AVISO:** Deje que la silicona actúe según las instrucciones del fabricante del sellador.

# Garantía

## GARANTÍA LIMITADA DE POR VIDA

Los productos de Glacier Bay se fabrican con estándares y mano de obra de calidad superior y están respaldados por nuestra garantía limitada de por vida. Los productos de Glacier Bay están garantizados al comprador original de estar libre de defectos en materiales o mano de obra. Reemplazaremos GRATIS cualquier producto o pieza que pruebe estar defectuoso. Simplemente, devuelva el producto/pieza a cualquiera de las tiendas minoristas de The Home Depot o llame al 1-855-HDGLACIER (1-855-434-5224) para recibir el artículo de reemplazo. Se debe presentar el comprobante de compra (recibo original de la compra) del comprador original para todas las reclamaciones de garantía de Glacier Bay.

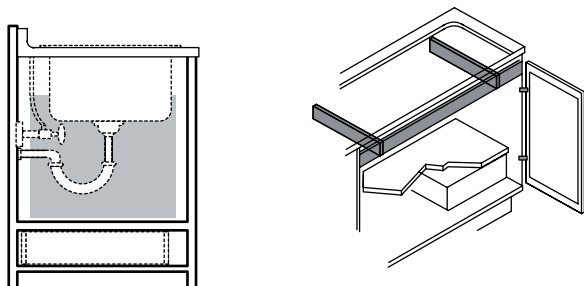
Esta garantía excluye los daños incidentales/inconsecuentes y los fallos debidos al uso indebido, abuso o desgaste normal. Esta garantía excluye todos los usos industriales, comerciales y de negocios, cuyos compradores por el presente tienen una garantía limitada de cinco años a partir de la fecha de compra, siendo todos los demás términos de esta garantía aplicables excepto su duración.

Algunos estados y provincias no permiten la exclusión o limitación de los daños incidentales o consecuenciales, por lo que es posible que las limitaciones anteriores no apliquen para usted. Esta garantía le otorga derechos legales específicos y usted también puede tener otros derechos que varían de un estado a otro y de provincia a provincia. Visite una tienda o llame al 1-855-HDGLACIER para obtener más detalles.

# Preinstalación

## PLANIFICACIÓN DE LA INSTALACIÓN

Antes de la instalación, compruebe el espacio libre del armario:



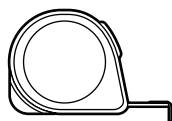
Compare todas las piezas con las listas Herraje incluido y Contenido del paquete en este manual. Compruebe si la superficie del fregadero presenta cualquier defecto o daño, incluyendo abolladuras, combaduras, irregularidades o marcas de rozaduras. Si nota algún daño o piezas faltantes, no proceda con la instalación.

Comuníquese con el equipo de servicio al cliente al 1-855-HD-GLACIER o visite [www.HomeDepot.com/GLACIERBAY](http://www.HomeDepot.com/GLACIERBAY).



**NOTA:** Este fregadero permite la instalación por arriba o por abajo.

## HERRAMIENTAS REQUERIDAS



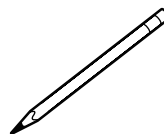
Cinta métrica



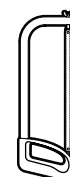
Gafas protectoras



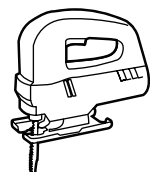
Destornillador Phillips



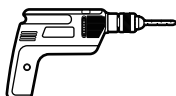
Lápiz



Segueta



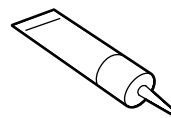
Sierra de vaivén o caladora



Taladro eléctrico



Llaves



Sellador de silicón

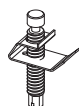


Destornillador de cabeza plana

## HERRAJE INCLUIDO



**NOTA:** El herraje no se muestra en su tamaño real. Con la instalación de herramienta tornillo.



Pieza	Descripción	Cantidad
AA	Presilla para instalación por arriba	10

## HERRAJE REQUERIDO (NO INCLUIDO)



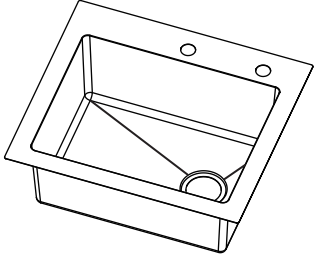
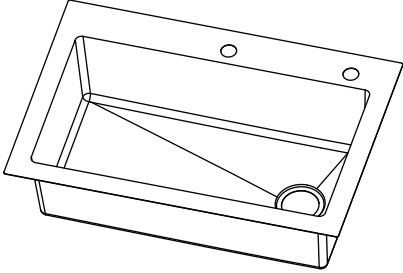
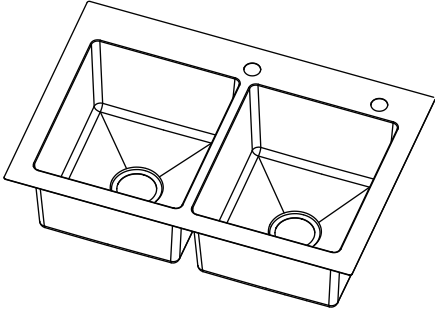
Presillas para la instalación por abajo (se recomiendan 10)

# Preinstalación (continuación)

## CONTENIDO DEL PAQUETE



**NOTA:** El manual solo muestra el ensamblaje para el fregadero de doble cubeta, pero las instrucciones de ensamblaje incluyen, entre otras, las siguientes SKU y configuración.

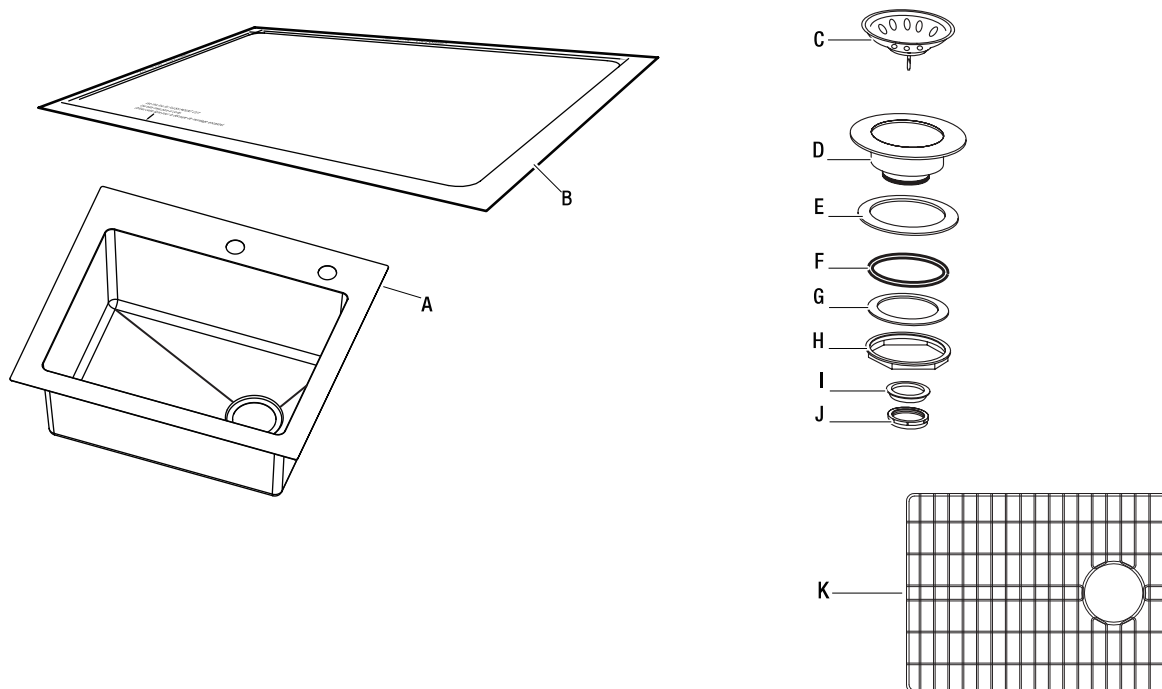
SKU#	Modelo#	Bochas	Imagen
	VDR2522A1	Soltero	
	VDR3322A1	Soltero	
	VDR3322A0	Doble	



**NOTA:** haga coincidir su producto comprado para las páginas siguientes.

# Preinstalación (continuación)

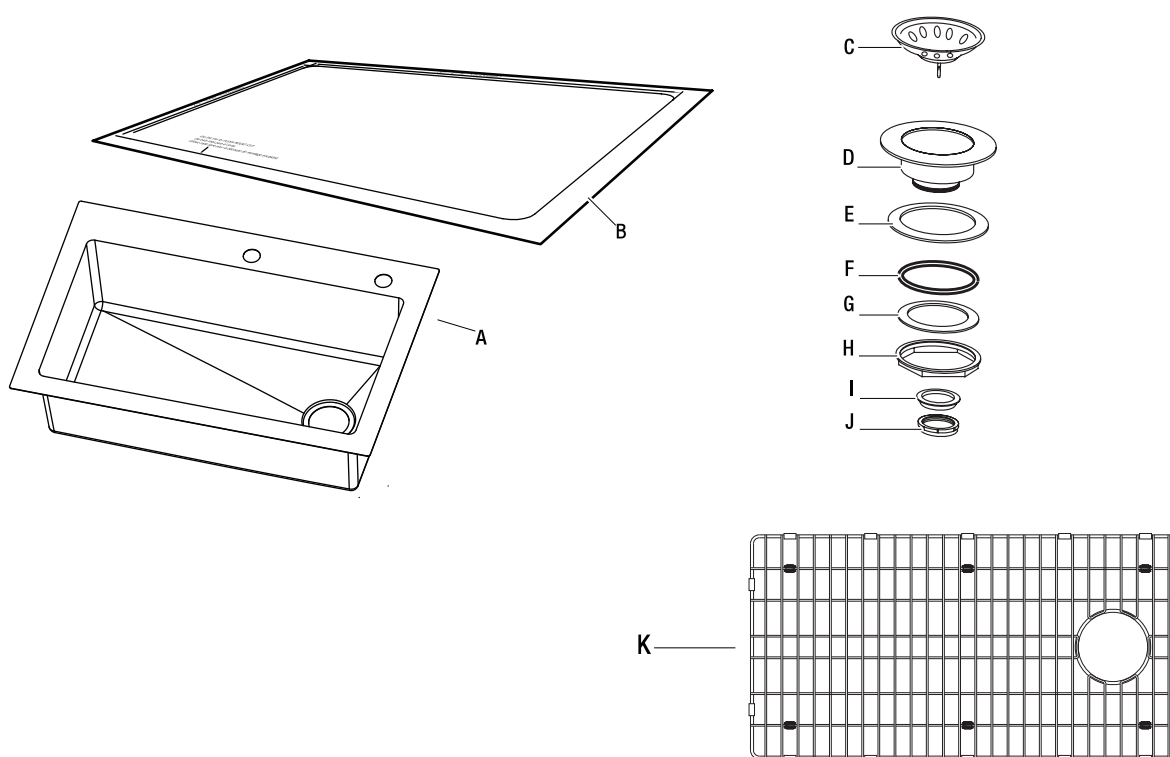
## CONTENIDO DEL PAQUETE



Pieza	Descripción	Cantidad
A	Fregadero	1
B	Plantilla para la instalación por arriba/por abajo	1
C	Rejilla	2
D	Cuba	2
E	Anillo de drenaje	2
F	Arandela de goma	2
G	Arandela de papel	2
H	Contratuerca	2
I	Junta plástica	2
J	Tuerca de conexión	2
K	Rejilla del fregadero	2

# Preinstalación (continuación)

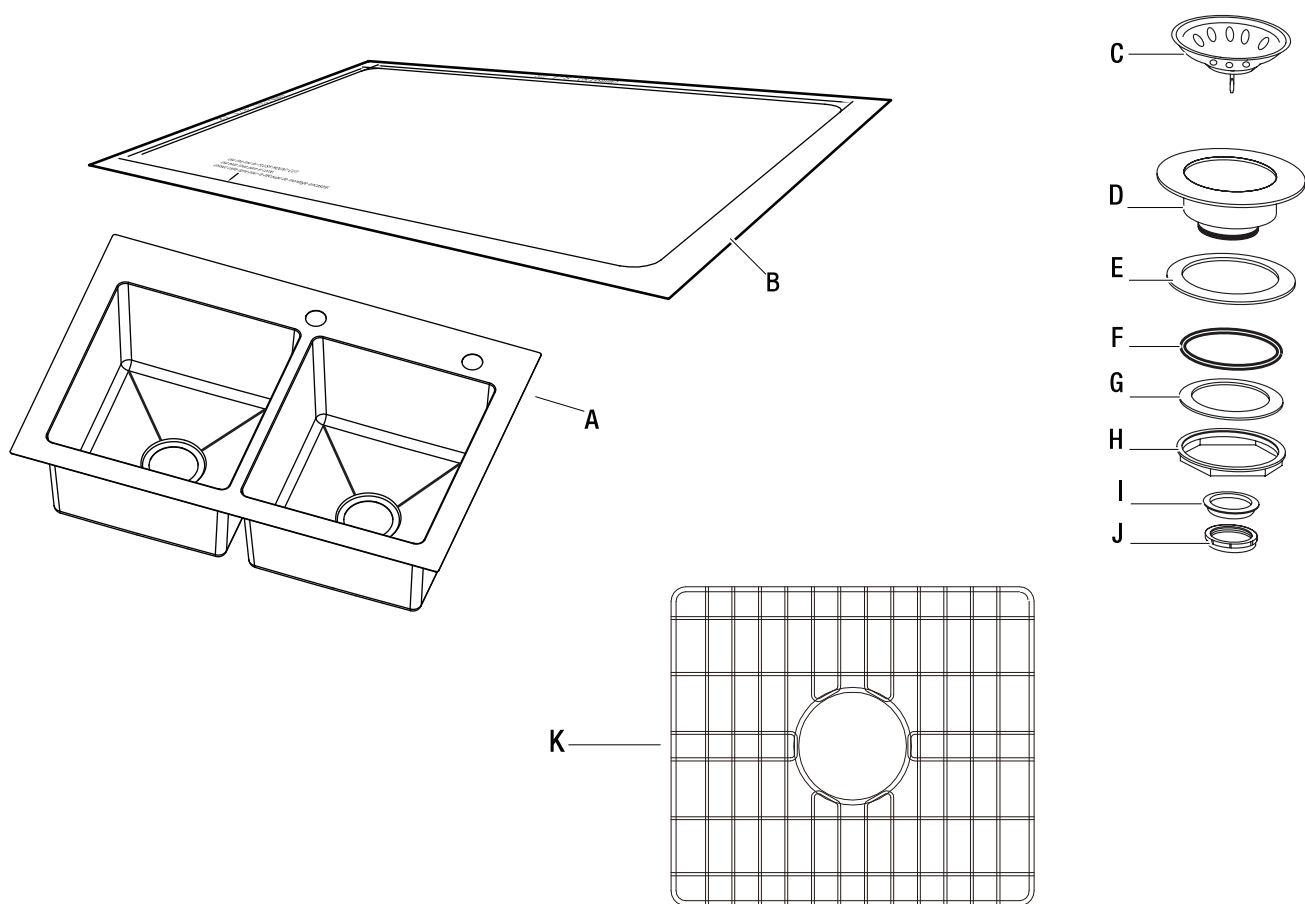
## CONTENIDO DEL PAQUETE



Pieza	Descripción	Cantidad
A	Fregadero	1
B	Plantilla para la instalación por arriba/por abajo	1
C	Rejilla	2
D	Cuba	2
E	Anillo de drenaje	2
F	Arandela de goma	2
G	Arandela de papel	2
H	Contratuerca	2
I	Junta plástica	2
J	Tuerca de conexión	2
K	Rejilla del fregadero	2

# Preinstalación (continuación)

## CONTENIDO DEL PAQUETE

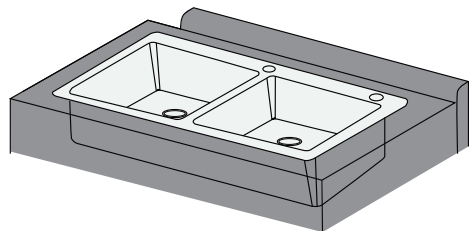


Pieza	Descripción	Cantidad
A	Fregadero	1
B	Plantilla para la instalación por arriba/por abajo	1
C	Rejilla	2
D	Cuba	2
E	Anillo de drenaje	2
F	Arandela de goma	2
G	Arandela de papel	2
H	Contratuerca	2
I	Junta plástica	2
J	Tuerca de conexión	2
K	Rejilla del fregadero	2

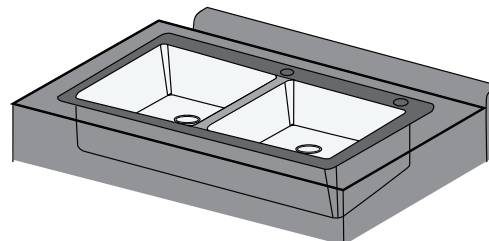
# Tipos de instalación

Usted puede optar por instalar este fregadero sobre su encimera (tipo 1: instalación por arriba) o por debajo de su encimera (tipo 2: instalación por abajo) de acuerdo con su gusto y necesidades.

## Tipo 1: instalación por arriba



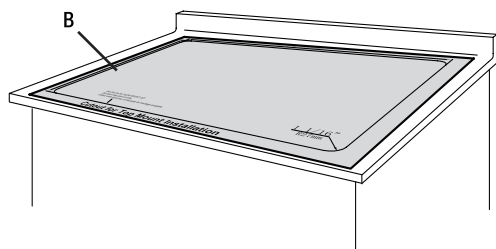
## Tipo 2: instalación por abajo



# Instalación por arriba

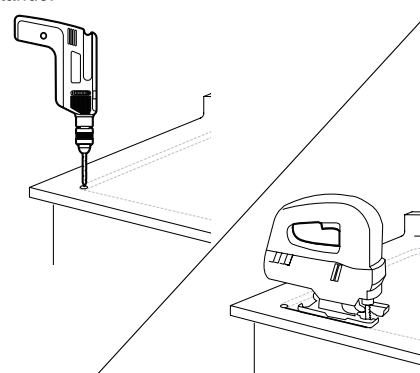
## 1 Preparación de la encimera

- ❑ Centrar la plantilla (B) en la encimera de modo que quede paralela a su borde y que el orificio de instalación no interfiera con la estructura del armario.
- ❑ Pegar con cinta adhesiva la plantilla (B) en la encimera para mantenerla en su lugar y trazar la línea de corte en la plantilla (B) con un lápiz.



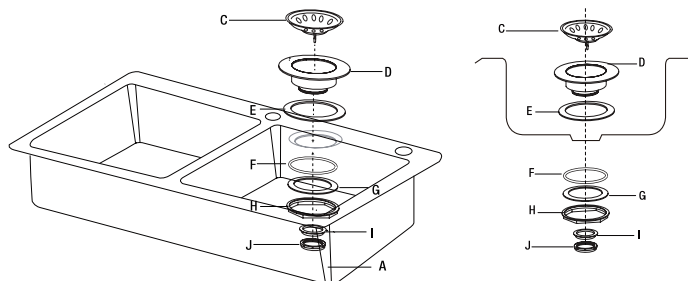
## 2 Para cortar el orificio de instalación

- ❑ Taladrar un agujero de prueba y cortar la abertura de la encimera. Use la herramienta de corte adecuada para la superficie que está cortando.



## 3 Instalación del conjunto de drenaje

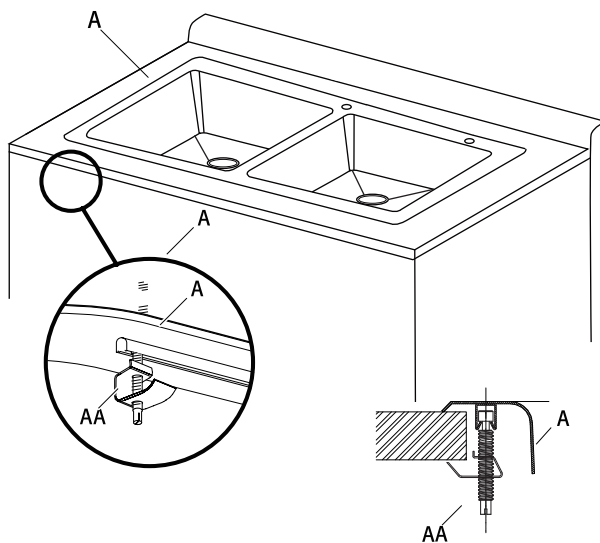
- ❑ Colocar el fregadero (A) en el orificio de instalación para comprobar el ajuste. Ajustar la línea de corte si es necesario.
- ❑ Instalar el conjunto de drenaje como se describe en estos pasos. Es más fácil instalar el conjunto de drenaje antes de instalar el fregadero en el armario.
  - 1) Aplicar una pequeña cantidad de masilla para plomería (no incluida) en la muesca alrededor del orificio de drenaje del fregadero (A). Colocar el anillo de drenaje (E) encima del orificio de drenaje en el fregadero (A).
  - 2) Insertar la rejilla (C) en la cuba (D) y colocar este conjunto en el orificio de drenaje en el fregadero (A).
  - 3) Desde abajo del fregadero (A), colocar la arandela de goma (F), arandela de papel (G), contratuerca (H), junta plástica (I) y la tuerca de conexión (J) sobre el orificio de drenaje en el fregadero (A).
  - 4) Apretar la contratuerca (H) y la tuerca de conexión (J) para mantener el conjunto de drenaje firmemente en su lugar.



## Instalación por arriba (continuación)

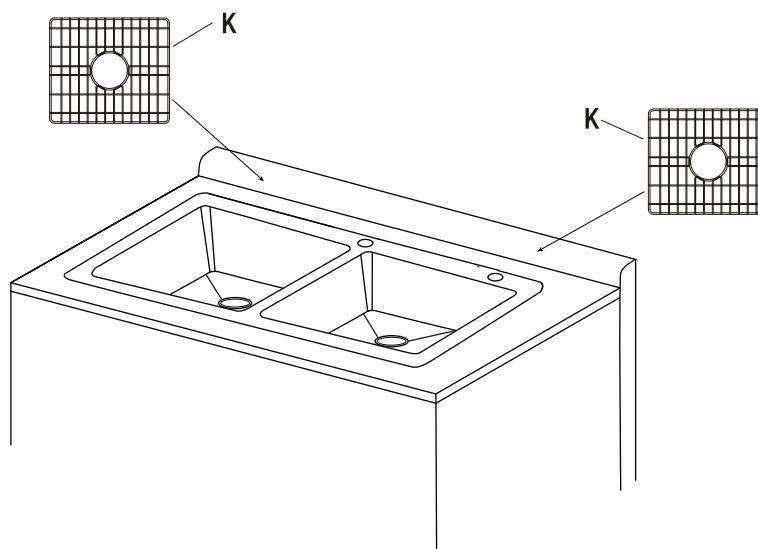
### 4 Instalación del fregadero

- Aplicar la silicona para sellar (no incluida) alrededor de la parte de abajo y el borde del fregadero (A).
- Bajar con cuidado el fregadero (A) en la encimera.
- Fijar las presillas de montaje (AA).
- Apretar los tornillos de las presillas de montaje por arriba (AA) uniformemente hasta que el fregadero (A) esté nivelado con la encimera. No apriete demasiado.
- Con la instalación de herramienta tornillo.
- Limpiar el exceso de silicona con un trapo.



### 5 Instalación de la rejilla

- Cuando termine, coloque las rejillas del fregadero (K) en el fregadero.

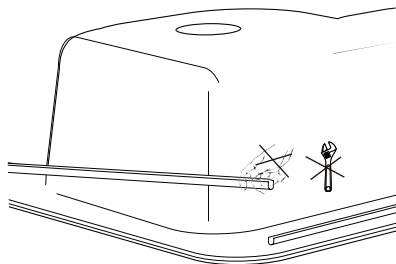




# Instalación por abajo

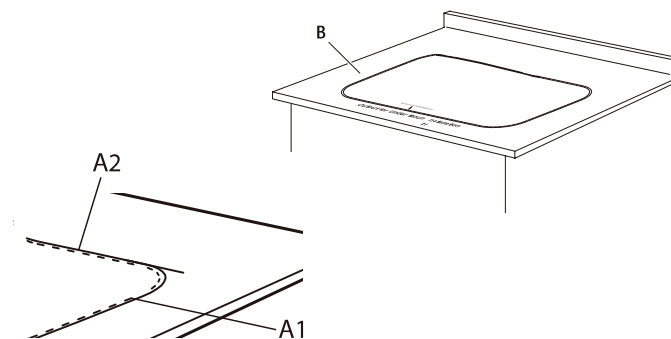


**ADVERTENCIA:** Cuando escoja la instalación por abajo, no desprenda los rieles de instalación que se muestran en esta ilustración. Esto causará daños en el fregadero que imposibilitaran su reparación. Es altamente recomendable que utilice un instalador profesional si escoge la instalación por abajo.



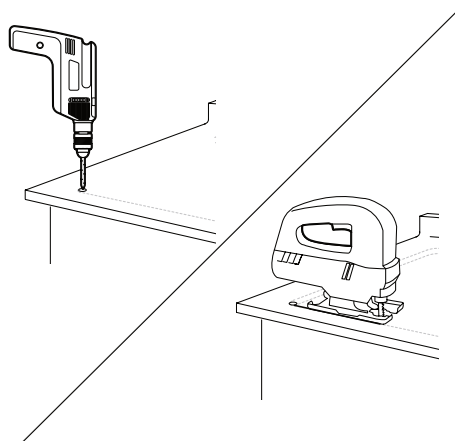
## 1 Preparación de la encimera

- Revisar la plantilla (B) y seleccionar la línea de corte deseada: la línea A1 es del tamaño de la cuba; la línea B es 1/2 pulgada más ancha que el tamaño de la cuba. Si elige la línea B, rasgue la plantilla a través de la línea quebrada. Colocar la plantilla (B) en la encimera. Asegúrese de que la plantilla esté centrada en la encimera de modo que quede paralela a su borde y de que el orificio de instalación no interfiera con la estructura del armario.
- Pegar con cinta adhesiva la plantilla (B) en la encimera para mantenerla en su lugar y trazar la línea de corte en la plantilla (B) con un lápiz.



## 2 Para cortar el orificio de instalación

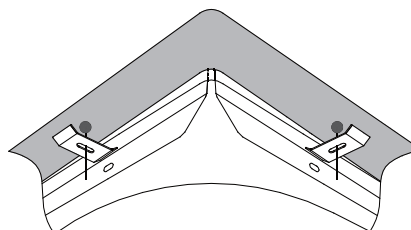
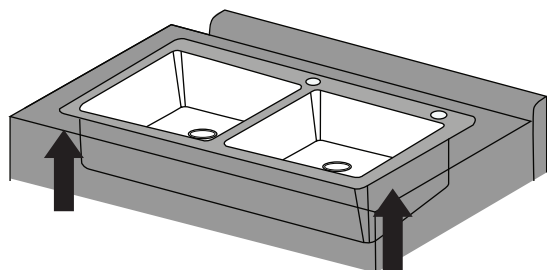
- Taladrar un agujero de prueba y cortar la abertura de la encimera. Use la herramienta de corte adecuada para la superficie que está cortando.



## Instalación por abajo (continuación)

### 3 Preparación del fregadero

- ❑ Colocar el fregadero debajo del hueco cortado de la encimera; y comprobar que el hueco es apropiado para el fregadero; ajustar el corte si es necesario. Coloque un soporte debajo del fregadero para facilitar la instalación y evitar que se caiga.
- ❑ Colocar las presillas de montaje (no incluidas) como se muestra en la plantilla adjunta y marcar los centros de las presillas en la encimera.

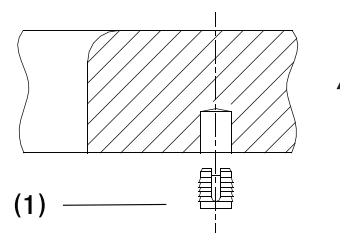
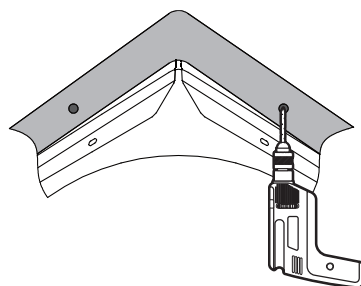


### 4 Instalación de los accesorios en el fregadero

- ❑ Consulte los pasos 3 en las páginas 8. Es más fácil instalar los accesorios en el fregadero antes de instalar el fregadero en el armario.

### 5 Colocación de las presillas de montaje (no incluidas)

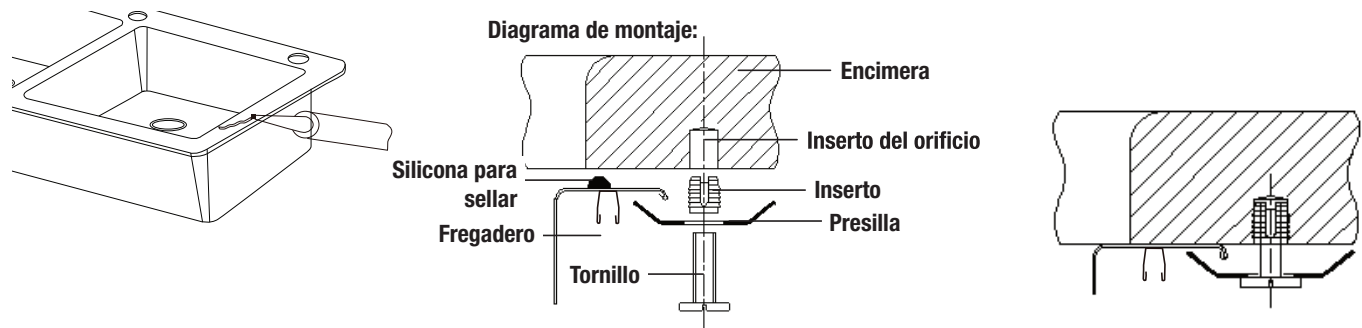
- ❑ Taladrar los orificios de montaje en la marca central de la presilla del paso 3.
- ❑ Introducir los insertos (1) en los orificios de modo que queden completamente dentro del orificio. Si es necesario, golpee suavemente el inserto.



### 6 Instalación del fregadero

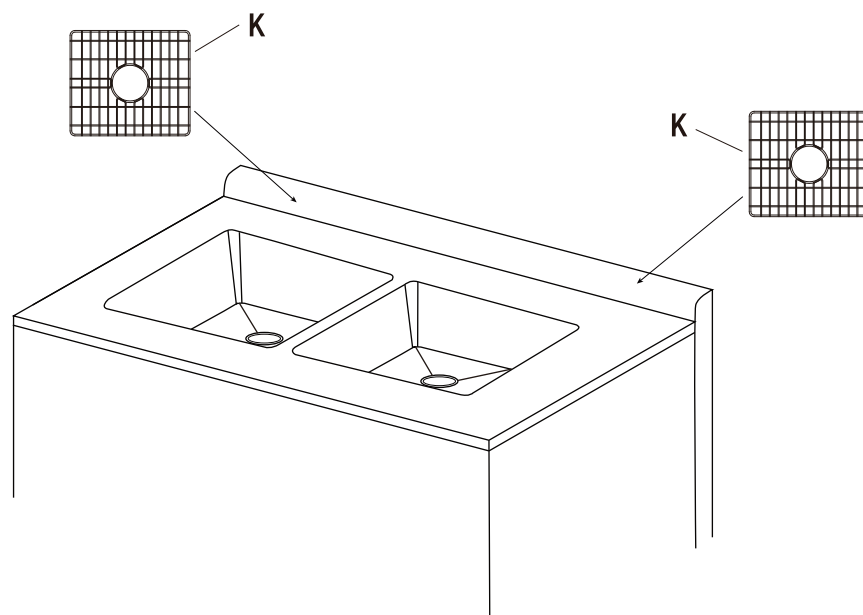
- ❑ Aplicar un cordón de silicona alrededor del perímetro de la parte superior del fregadero.
- ❑ Situar y alinear el hueco debajo de la encimera del fregadero.
- ❑ Una vez que el fregadero esté en la posición correcta, instalar las presillas de montaje (no incluidas). Apretar las presillas de montaje hasta que el borde del fregadero esté alineado con la encimera.
- ❑ Compruebe la alineación mientras lo mueve, de modo que la parte frontal del fregadero (A) quede paralela a la encimera. Ajustar y volver a apretar si es necesario. No apriete demasiado.
- ❑ Limpiar el exceso de silicona con un trapo.

## Instalación por abajo (continuación)



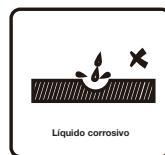
## 7 Instalación de la rejilla

- Cuando termine, coloque las rejillas del fregadero (K) en el fregadero.



## Cuidado y limpieza

- Se recomienda una limpieza diaria y regular para eliminar la suciedad y evitar manchas. Utilice detergente líquido para vajilla, agua y una esponja suave de uso doméstico.
- Se pueden utilizar limpiadores suaves, no abrasivos con un estropajo de fregar de nailon. Para asegurar un aspecto uniforme en la superficie de acero inoxidable del fregadero, enjuague con agua y limpie el fregadero con un paño suave y seco. Secar el fregadero evitará las manchas de agua causadas por el contacto con el agua.
- Quite las manchas persistentes de los depósitos de cal o calcio vertiendo un poco de vinagre caliente o un limpiador a base de vinagre en el fregadero y déjelo reposar unos minutos. Enjuague con agua limpia y seque.
- Los rasguños son inevitables durante su uso con el tiempo. Utilice un estropajo de nailon con un compuesto para pulir abrasivo que no tenga hierro. Siga las líneas de pulido originales para disimular los rasguños en un área pequeña. Tenga cuidado de no exagerar, ya que restregar con fuerza resultará en un sitio brillante.
- NO utilice limpiadores abrasivos fuertes, estropajos de fregar de metal o lana de acero. Estos arañarán la superficie.
- NO deje alfombrillas de goma o esponjas dentro del fregadero. El agua atrapada debajo podría causar manchas.
- NO deje alimentos con un alto contenido de sal dentro del fregadero durante períodos prolongados de tiempo.
- NO deje blanqueador con cloro dentro del fregadero de acero inoxidable por más de 1 hora.
- NO permita que los limpiadores de desagüe entren en contacto con la superficie del fregadero.
- NO vierta pintura en el fregadero. Los productos químicos de la pintura acrílica reaccionarán con los fregaderos si se les deja reposar durante 24 horas y producirán marcas permanentes. Para las pinturas a base de látex, quite cualquier residuo inmediatamente usando un disolvente de pintura fabricado por la misma marca. Consulte las recomendaciones del disolvente de pintura antes de usarlo en el fregadero. Para todos los fregaderos, también recomendamos quitaesmalte de uñas, alcohol para frotar o un disolvente de pintura a base de acetona para quitar los residuos de pintura.
- Manchas de óxido: El acero inoxidable no se oxida. Las manchas de óxido son el resultado de las partículas de hierro introducidas por el agua, los utensilios de cocina y los estropajos de lana de acero que reaccionan con el agua para crear óxido. Los limpiadores de metal quitarán las manchas de óxido.
- Manchas de alimentos: Dependiendo de la intensidad de la mancha, use una solución de agua y lejía o vierta la lejía sobre un paño y cubra la mancha. Deje que el blanqueador repose durante al menos 1/2 hora y luego limpie con detergente para vajilla y agua.



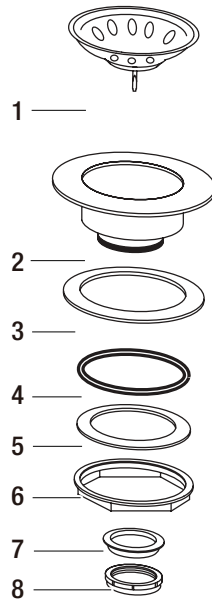


¿Tiene preguntas o problemas, o le faltan piezas? Antes de devolver a la tienda,  
llame al servicio de atención al cliente de Glacier Bay  
Lunes a viernes de 8:00 a.m. – 7:00 p.m., EST y los sábados de 9:00 a.m. – 6:00 p.m., EST.

**1-855-HDGLACIER**

**[HOMEDEPOT.COM/GLACIERBAY](https://www.homedepot.com/glacierbay)**

Guarde este manual para su uso futuro.



Pieza	Descripción	Número de pieza
1	Rejilla	ST-001
2	Cuba	ST-002
3	Anillo de drenaje	ST-003
4	Arandela de caucho	ST-004
5	Arandela de papel	ST-005
6	Contratuercas	ST-006
7	Junta plástica	ST-007
8	Tuerca de conexión	ST-008