



Dual Chamber 2x18.5 Gallons (2x70 liter) Tumbling Composter

Owner's Manual
Description - Features - Composting
Assembly Instructions



Assembly Instructions

www.dfomer.com/Dual-Chamber-Composter-140L-Assembly

Miracle-Gro® is a registered trademark of OMS investments, Inc. and is used under license.

 **Questions? Call
720-584-0278**

 **www.dfomer.com
www.miraclegro.com**



Tumbling Composter

Owner's Manual



WARNINGS

- ⚠ Do not exceed maximum weight of 2x23 Lbs (2x10.5 kg).
- ⚠ Not intended for storage of flammable or caustic chemicals.
- ⚠ Not for mixing concrete.
- ⚠ Not intended for use by children or pets. To avoid suffocation do not allow children to play inside.
- ⚠ Repair or replace broken parts immediately.
- ⚠ Do not sit or stand on frame or barrel.
- ⚠ Manufacturer is not responsible for damage caused by weather or misuse.
- ⚠ Avoid excess heat from any auxiliary source.

Caution - When tumbling the composter in low temperatures (below 0°C/32°F) frozen contents might cause external shell breakage.

GENERAL SAFETY AND CARE INSTRUCTIONS

- Use caution when tumbling. Keep pets, children, and other people safely clear of composter.
- Keep hands away from barrel to frame pinch points when tumbling.
- Excessive speed in tumbling may cause injury to user.
- Both lids should be locked before tumbling.
- Lock barrel in upright position after each use.
- Clean barrel and lid with a garden hose after each compost cycle. Do not use cleaning products inside the barrel. The micro-organisms and insects that create compost will perish if exposed to cleaning solutions and fumes.



WARRANTY
2 years warranty

WHY COMPOST

Composting In Your Garden - Composting is the natural way of recycling. All plants that die at the end of the season can be consumed by living animals and microscopic creatures. The result of their excretions is compost, which is actually a combination of digested and undigested food, and is left on the ground to create a rich and soft soil.

Composting in your backyard or garden is the willingly controlled decomposition of organic materials in order to produce compost. It is an easy process and environmentally friendly. In fact, you are creating the best additive for extremely productive garden soil.

How Is Composting Environmentally Friendly? - It reduces the amount of solid waste that would be thrown away into trash collection. Garden trimmings and kitchen trash make up about 1/3 of all your waste.

All this amounts to millions of tons that, instead of being wasted, can be turned into useful compost. It is also a great way to reduce or eliminate the need to add additional fertilizers to your garden. Compost is a natural way to make your garden thrive.



COMPOSTING INFORMATION AND TIPS!

The Tumbling Composter contains a mechanism with rods or fins that mixes and breaks up larger clusters to activate and “fasten” the decomposing process. Such composters are able to reach a temperature of more than 140°. In order for compost to be efficient, it requires a correct mixture ratio of “brown” (carbon) and “green” (nitrogen) materials (see LIST OF KEY COMPONENTS FOR GREAT COMPOST). Water should be added only when necessary and the tumbler should be turned every other day or so to keep all ingredients, microorganisms, and moisture evenly distributed. Within a few weeks, your Tumbling Composter will transform your scraps into this natural fertilizer named compost.

COMPOST CAN BE PRODUCED WITH YOUR TUMBLER IN TWO DIFFERENT PROCESSES:

1. The best method: Produce compost in batches, loading up the tumbler until full, and leave it to break down until completed. When running two tumblers simultaneously, one can start adding waste to the second tumbler and wait for the first to complete its decomposing process. Refraining from adding more materials to the current batch of working compost will ensure better results. A batch with new waste materials can then be started when the first is completed.
2. Another method is continuous composting, where one adds more and more material, mixing fresh waste into the decomposing process. When choosing this method with the tumbler, one should stop adding when the tumbler is almost full, and let the contents decompose. Once this batch is completed you can start the entire process again.

LIST OF KEY COMPONENTS FOR GREAT COMPOST

Decomposing Process - When trying the process for the first time, it may be surprising how many small creatures are participating in decomposition. This mixture of creatures, which include many insects, bugs, slugs, bacteria, and mushrooms, form what is called a “food web.” Adding a small quantity of soil to this mixture can be used to start the process. The creatures in the soil will actually contribute and speed up decomposition.

Each and every member of the food web has its own contribution to your compost and it must be left alone to do its job. If any of the member organisms is removed by using agents such as pesticides, the natural cycle will be disturbed and the compost will be infected by pesticides.

Ingredients - Basic ingredients for composting are: nitrogen, carbon, water and air. Water and air should be readily available. Providing the remaining ingredients is somewhat more complicated. They are actually referred to as “greens” and “browns” (not meaning the color but green = rich in nitrogen, and brown = rich in carbon). The “green” ingredients represent the protein for the active creatures, and the “brown” ingredients supplying the energy. Any plant in your garden can be used to “feed” these creatures. The Tumbling Composter should simply be filled with these ingredients and mixed. Water must be added separately and the whole must be tumbled to add air. The composter should then be left alone to let the decomposing process take place.

Nitrogen / Carbon Ratio - The ideal mix is 3/4 “brown” and 1/4 “green” ingredients by volume. Such a mixture of “brown” and “green” ingredients will ensure that the mass maintains the appropriate quantity of humidity and air, and hastens the decomposing process. An increased amount of nitrogen will generate a heavy mass, which will slow down the decomposing process. Then may be the right time to add more “brown” ingredients!



Nitrogen - "Green" ingredients range from lawn clippings and green leaves to manures and garden trimmings and are all ideal sources of nitrogen for composting. The same can be said of kitchen waste, such as vegetable and fruit leftovers, which also generate nitrogen. Kitchen waste can be kept in a plastic container under the sink and should be cut up into smaller pieces before adding them to the composter.

Carbon - "Brown" garden ingredients such as dry leaves, twigs, or hay provide the carbon part of the mixture and will ensure a lighter and aerated compost. Carbon is best provided by using dry leaves. Dry leaves can be collected, shredded, and stored to be used all year round. If the mixture gets too wet or contains too much nitrogen, add dry leaves. (Refer to BASIC NITROGEN / CARBON CHART for more detailed information).

Water - Neglecting humidity is a common mistake made during the composting process. The compost should remain humid throughout the process. About 50% humidity is acceptable. How can we make sure that such levels are achieved? One can simply open the compost tumbler, grab and squeeze a handful of material in your hand; if a few drops of water are released, it is probably humid enough, if not, water should be added by inserting a hose deep into the mixture so that not just the upper layer will get wet. Let excess water drain out through the ventilation bores. The mixture should remain humid, but not wet.

Air – All creatures and mushrooms in the compost mixture need oxygen during the process. If the mixture is too dense or gets too humid, the air supply into the mixture is cut off and the laboring creatures will probably be exterminated. The process will slow down and a nauseating stink will start. To prevent this and hasten the process, the tumbler must be rotated every second day or so. This would also be a good time to add shredded leaves from the stockpile. Preventing moisture can also be achieved by opening the composter lid for a few hours.

Don't be afraid to make mistakes during the process, you will learn from experience. It would be a good idea to write down these experiences and keep some records; they might come in useful in the end! Refer to TROUBLESHOOTING for more detailed information.

NOTE: The decomposing process has a lot to do with the surface area the tiny creatures have to operate on. The best results are achieved when individual pieces in the decomposing mixture are kept small. So, cut or shred larger ingredients into smaller pieces. A lawn mower can be used to shred dry leaves when no shredder is available.

BASIC NITROGEN/CARBON CHART

MATERIAL	CARBON/ NITROGEN	INFO
Table scraps	Nitrogen	Add with dry carbon items.
Fruit & vegetable scraps	Nitrogen	Add with dry carbon items.
Chicken/rabbit manure	Nitrogen	Excellent compost 'activator', use in moderation.
Coffee grounds	Nitrogen	Filters may also be included.
Tea leaves	Nitrogen	Loose or in bags.
Grass clippings	Nitrogen	Add in thin layers so they don't mat into clumps and putrefy.
Garden plants	Nitrogen	Use disease-free plants only.



MATERIAL	CARBON/ NITROGEN	INFO
Lawn & garden weeds	Nitrogen	Only use weeds which have not gone to seed.
Flowers, cuttings	Nitrogen	Chop up any long woody stems.
Seaweed and kelp	Nitrogen	Rinse first; good source for trace minerals.
Eggshells	Neutral	Best when crushed.
Leaves	Carbon	Leaves break down faster when shredded.
Straw or hay	Carbon	Straw is best; hay (with seeds) is less ideal.
Pine needles	Carbon	Acidic; use in moderate amounts.
Wood ash	Carbon	Only use ash from clean materials; sprinkle lightly.
Cardboard	Carbon	Shred material to avoid matting.
Corn cobs, stalks	Carbon	Slow to decompose; best if chopped up.
Dryer lint	Carbon	Best if from natural fibers.
Wood chips	Carbon	High carbon content can overwhelm, and shut down, an otherwise good compost batch; use sparingly.
Sawdust	Carbon	High carbon content can overwhelm, and shut down, an otherwise good compost batch; use sparingly. Be sure sawdust is clean, with no machine oil or chain oil residues from cutting equipment. Do not use sawdust from painted or treated lumber.

AVOID ADDING THESE INGREDIENTS TO THE COMPOST MIXTURE:

- **Meat, fish, fats and bones** - These could ferment or putrefy, causing odors, and attracting flies, rodents or other animals that can be pests.
- **Other foods like dairy products, sauces, salad dressing, and cooking oil** – These too could ferment or putrefy, causing odors, and attracting flies, rodents or other animals that can be pests.
- **Paper products** – Should be recycled. They may contain chemicals that are bad for your compost.
- **Ashes** - Wood ashes may be very useful but in small quantities. Never put BBQ grill ashes directly into the compost mixture.
- **Dog and cat feces** – May cause a risk of adding diseases! Moderately adding chicken, horse, cow, and rabbit manure may be fine.
- **Perpetual weeds that have turned to seed or diseased plants** – Not to be used as they can spread with the compost.
- **Any cooked or canned foods that contain salt** - Salt kills the little creatures that do the composting in your mixture.

Important: Do not add any part of the Black Walnut tree; it contains a chemical that may prevent the growth of some plants, tomatoes in particular.



TROUBLESHOOTING

SYMPTOM	PROBLEM(S)	SOLUTION(S)
Odor	Too much nitrogen	Mix in “brown” material and rotate tumbler
	Too much moisture	
	Lack of oxygen	
The Mixture Does Not Heat Up	Lack of nitrogen	Mix in “brown” material and rotate tumbler
	Lack of oxygen	Rotate tumbler
	Lack of humidity	Humidify mix
	Too much humidity	Mix in “brown” material and rotate tumbler
	Particle size is too large	Cut or grind materials
Attracts Animals Or Pests	Mixture contains bones, meat, or fatty foods, or animal manure	AVOID ADDING THESE MATERIALS TO THE MIXTURE. (See AVOID ADDING THESE MATERIALS TO THE MIXTURE)

SOME TIPS AND TRICKS

Critical Quantity – To make your composting process more efficient, a critical quantity is required in order to generate a heat core. You should start with a minimum of 1 cubic foot (28 liter/7.5 Gallon) of ingredients, But of course, the more the better. The Tumbling Composter can hold about 6.5 cubic feet (182 liter/48.5 Gallon).

A properly combined mixture will reach a working temperature of about 140° F (60° C) in about five days. At this time, the mixture will be “settling”. This is a good sign that the mixture is decomposing as it should.

NOTE: Once the mixture gets to proper size, do not add anymore raw ingredients to the working compost, but rather start a new batch with new ingredients. If you add more ingredients, it will restart the mixture from the beginning. This is why we suggest operating at least a couple of tumblers.

When Is The Process Completed? - The compost is ready when the original ingredients have turned into a uniform, dark brown, crumbly product with a pleasant, earthy aroma. Dump the compost out of the tumbler, leaving a little bit inside as starter microbes for your next batch.



WHEN AND HOW TO USE COMPOST

Garden Fertilizer and Soil Building - Compost can be used throughout the season as a garden fertilizer. Simply side dress vegetables and flowers for a slow-release food source and improved disease prevention. Till in compost in spring and fall to improve tilth, increase fertility and aid in water retention for sandy soils or water drainage for clay soils.

Lawn Feeding - Screened compost (compost that has been sifted to collect the smaller particles) can be applied as a lawn fertilizer throughout the season. It will provide a wonderful slow-release food as well as assist in lawn disease prevention.

Potting Mix (potted plants, seed starting) - Compost can be added to potting soil to create a nutrient-rich mixture.

LOCATION FOR YOUR TUMBLING COMPOSTER

Choose a flat, level surface convenient to your source materials (kitchen scraps, lawn clippings, garden, etc.)

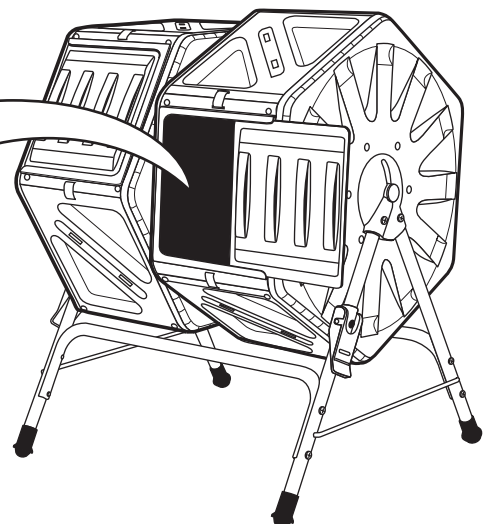
Since microbes work best at elevated temperatures, temperature is key to the breakdown of compost. Although microbes generate their own heat as they work, you can help keep them warm by positioning the Compost Tumbler out of excessive wind and in full sunlight. In hotter areas of the country a shady location may work as well. The fastest decomposition occurs between 140°F (60°C) and 160°F (71°C), but some breakdown will occur as long as the compost is kept above freezing.

WINTER - Since the Tumbling Composter is portable, it can be moved (even when full) by one or two people to convenient locations. In winter, place it by your back door to avoid a long walk to recycle kitchen scraps. Although the microbes stop working when the batch freezes, freezing breaks down fibers in organic material, thus speeding up decomposition in spring. In winter, do not turn the unit, but keep adding waste.

When spring arrives and the material defrosts, tumble and begin adding materials in the correct portions. You may find you need to add a lot of carbon material to achieve the correct ratio, so do not overfill the Tumbling Composter during winter.

If you do not use the Tumbling Composter in winter, move it to a location sheltered from high winds and snow. Ideally, it should be stored in a garage or shed.

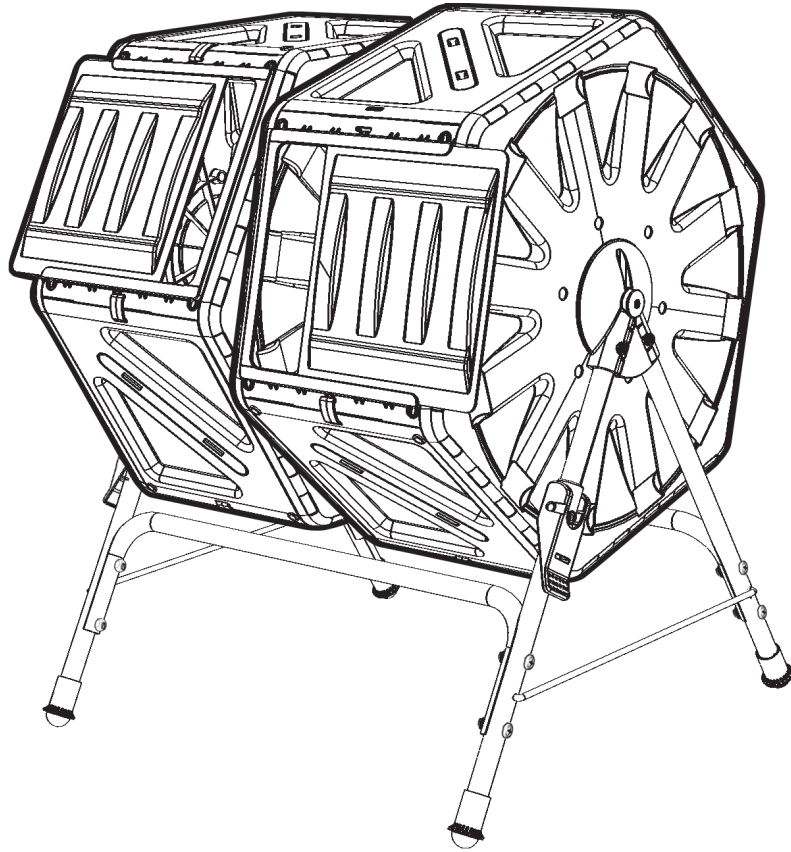
When Chamber No. 1
Is full. (Recommended: Not more than 2/3)
Add New material
to Chamber No. 2.



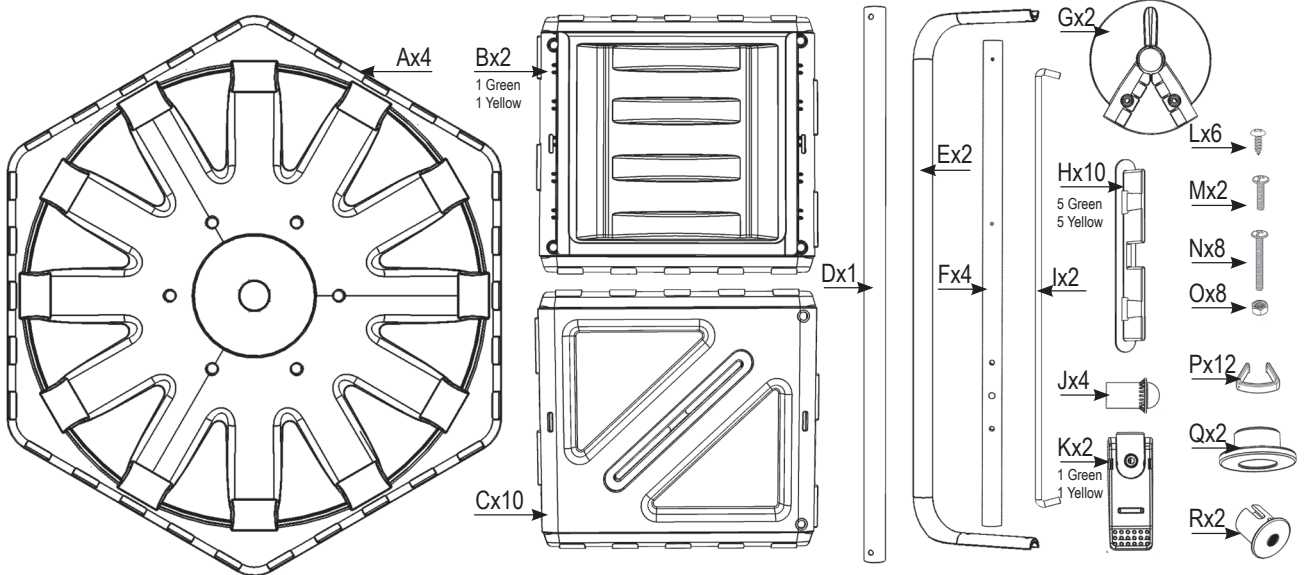


ASSEMBLY INSTRUCTIONS

Tools Required: Phillips Screwdriver



Tumbling composter parts:



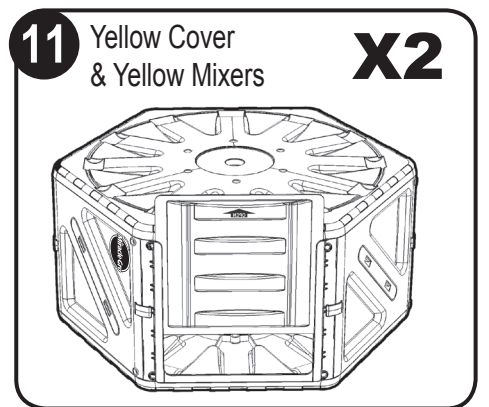
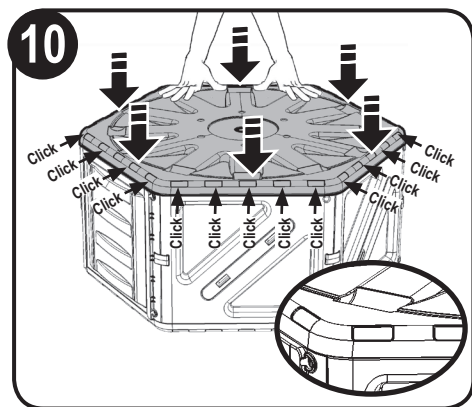
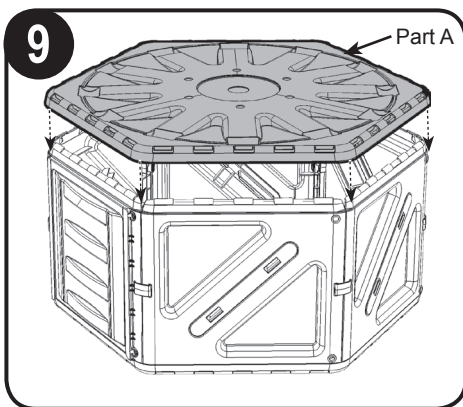
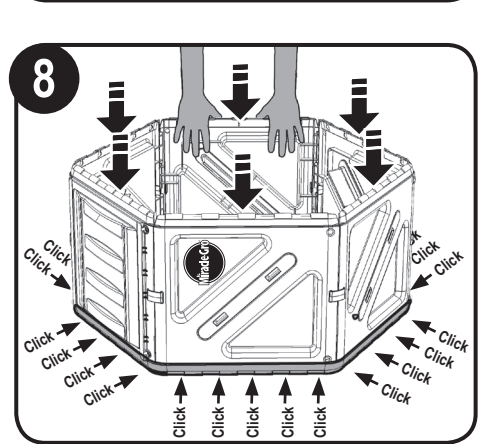
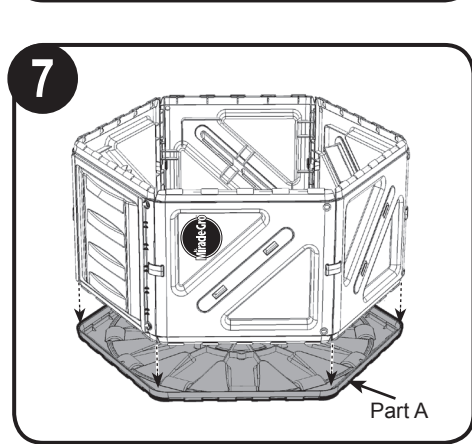
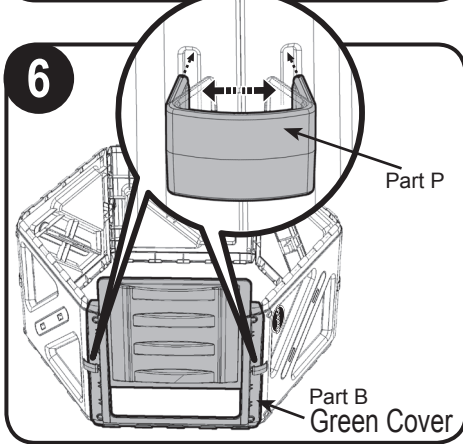
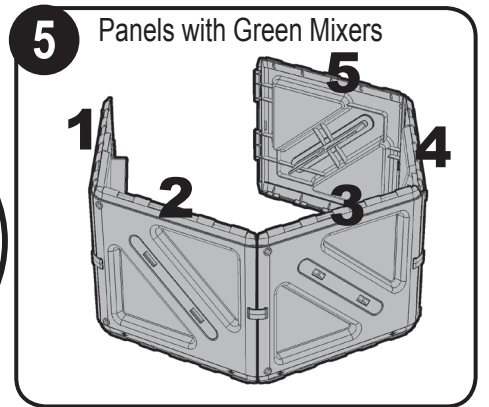
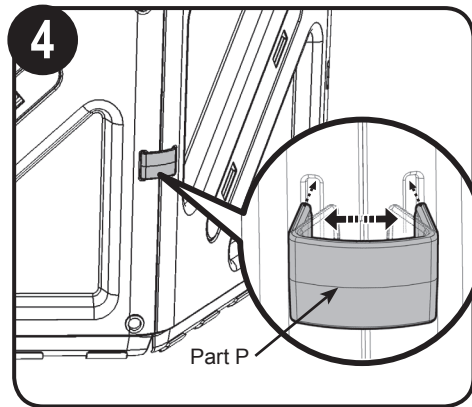
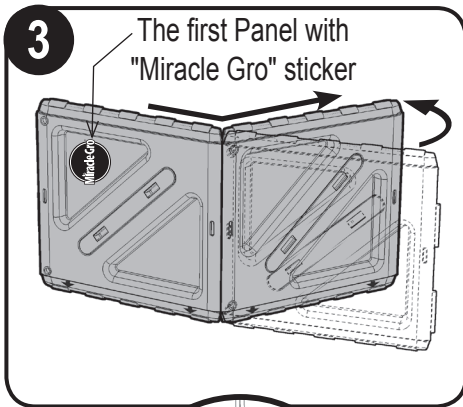
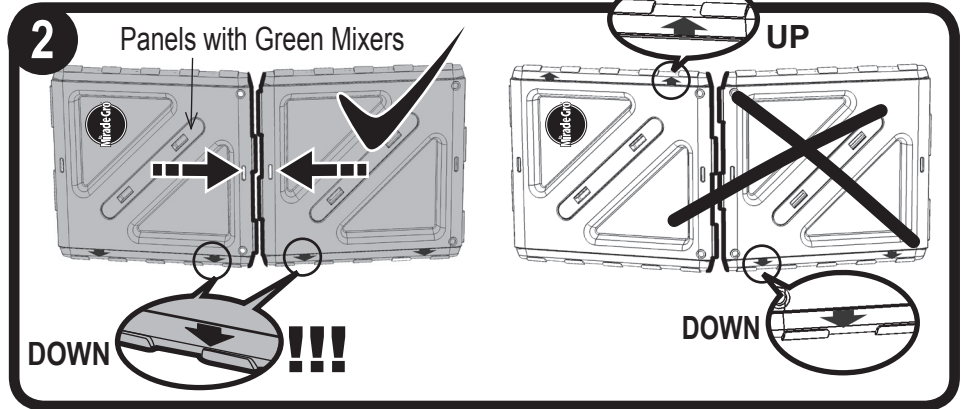
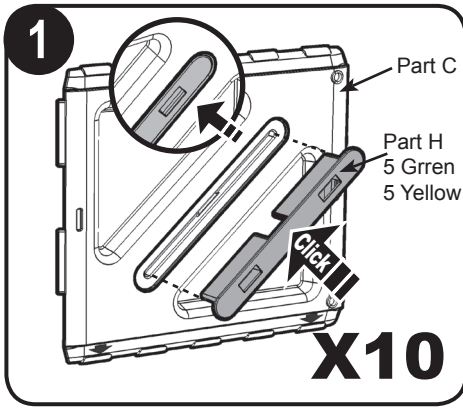


Assembly Instructions

www.dfomer.com/Dual-Chamber-Composter-140L-Assembly



Questions? Call
720-584-0278



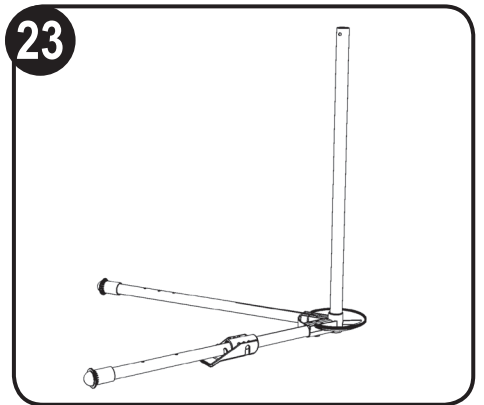
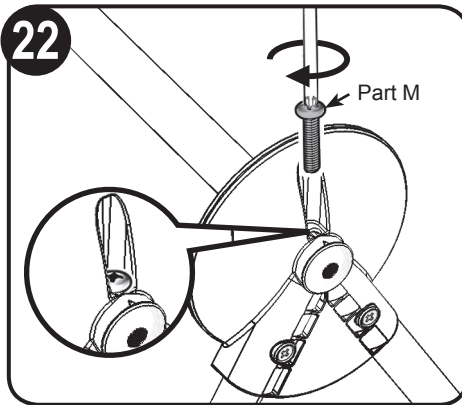
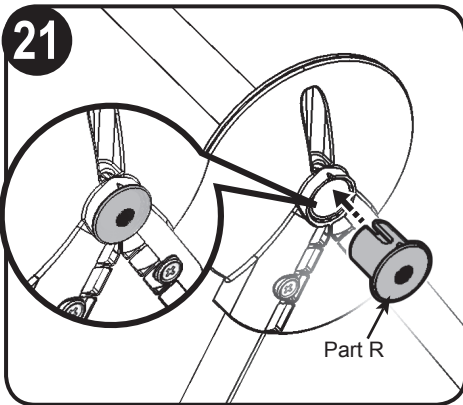
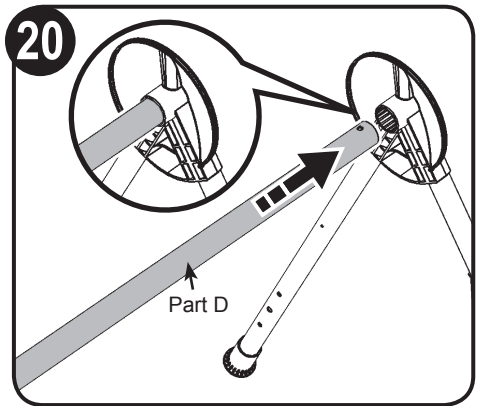
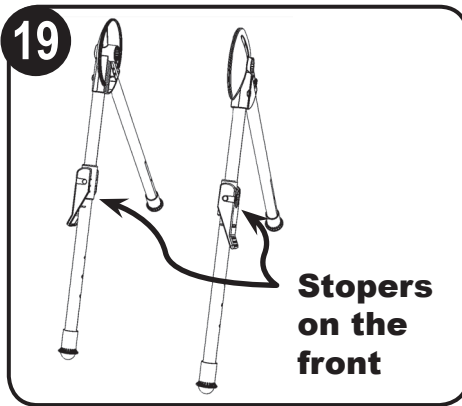
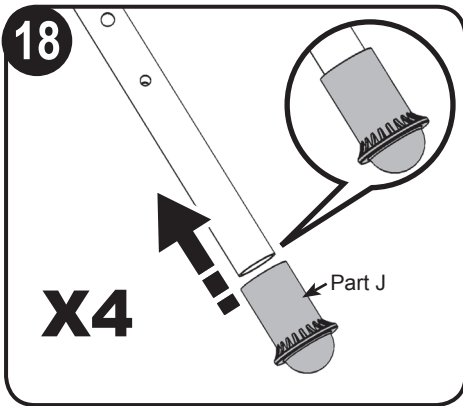
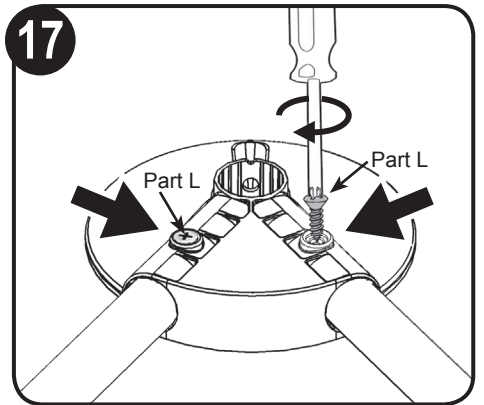
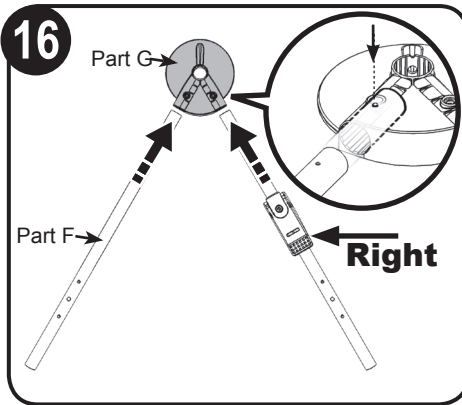
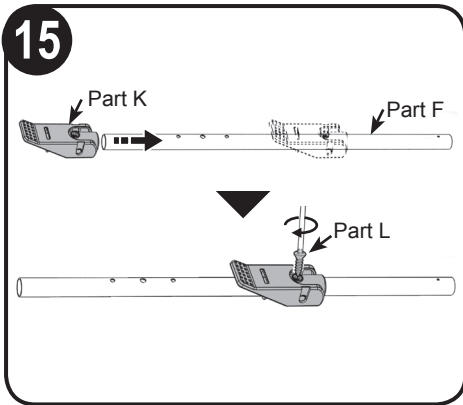
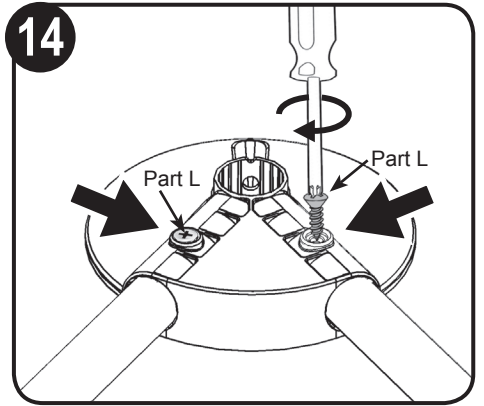
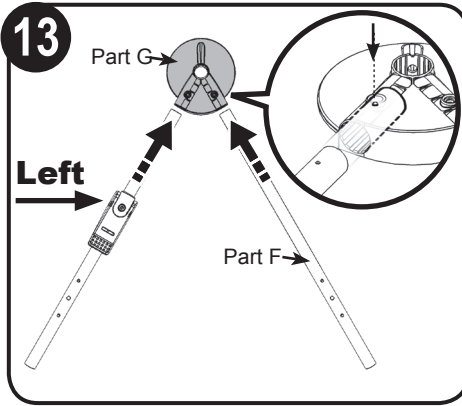
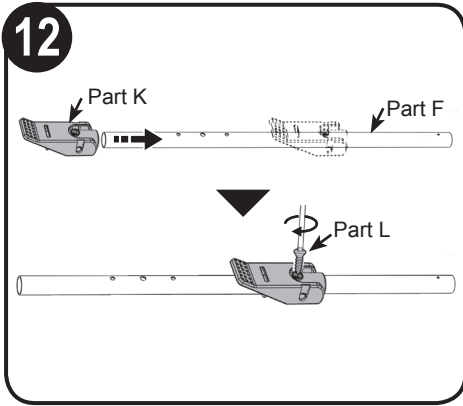


Assembly Instructions

www.dfomer.com/Dual-Chamber-Composter-140L-Assembly



Questions? Call
720-584-0278



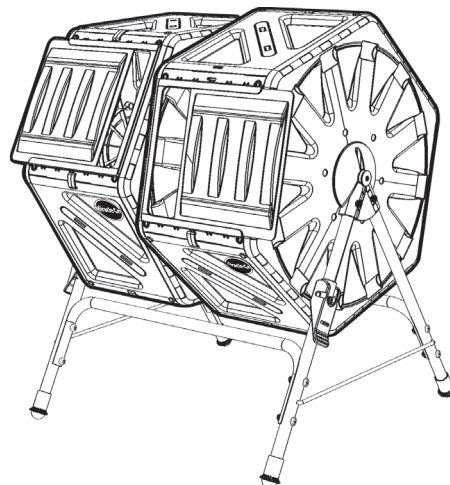
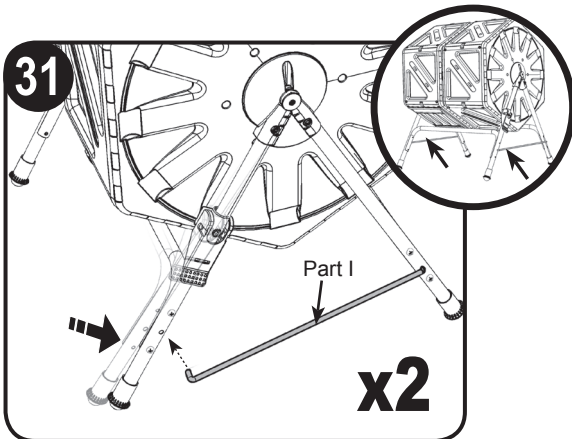
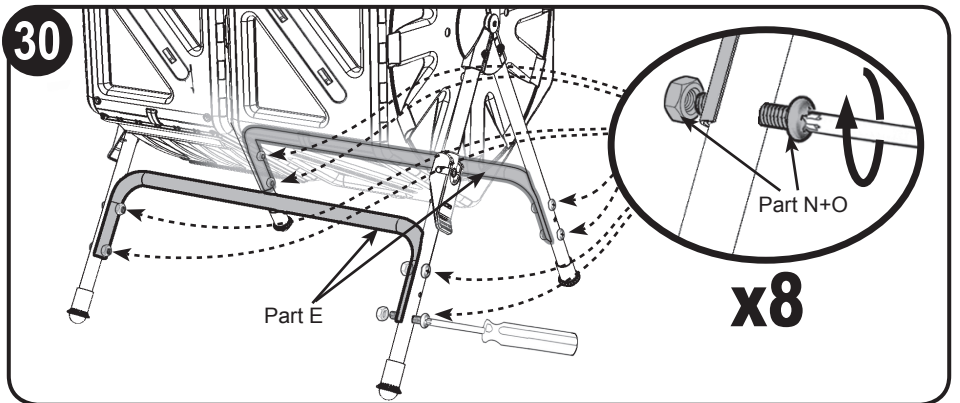
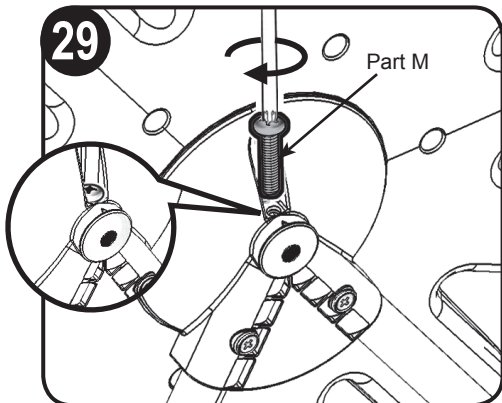
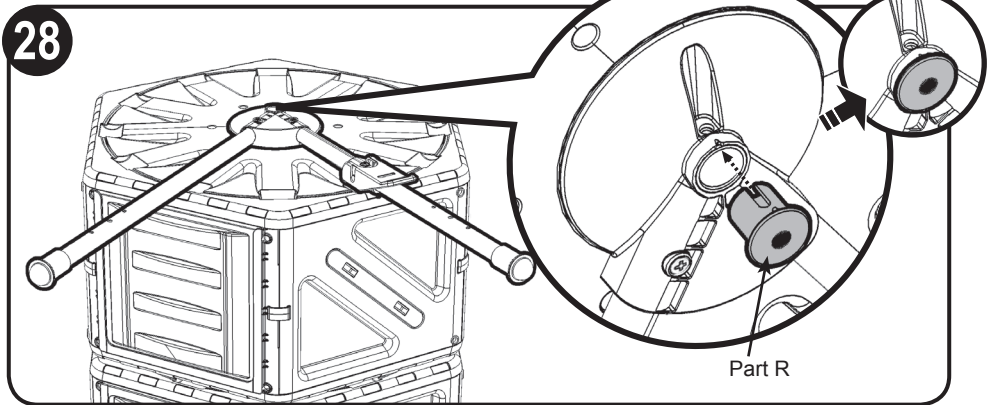
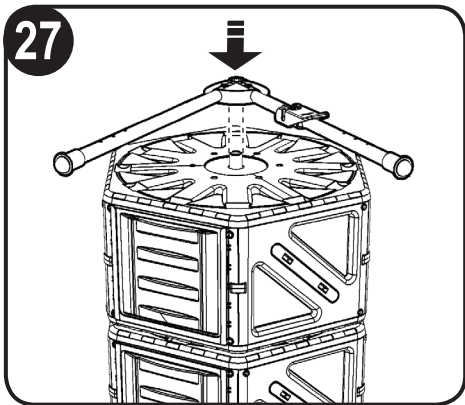
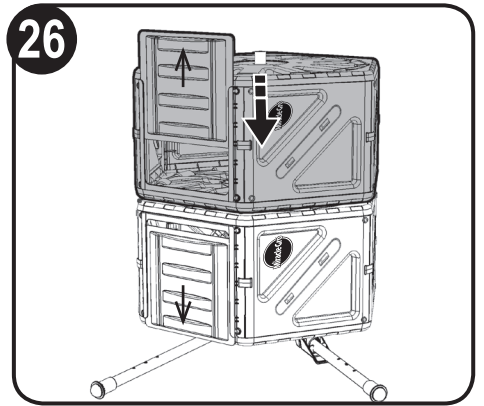
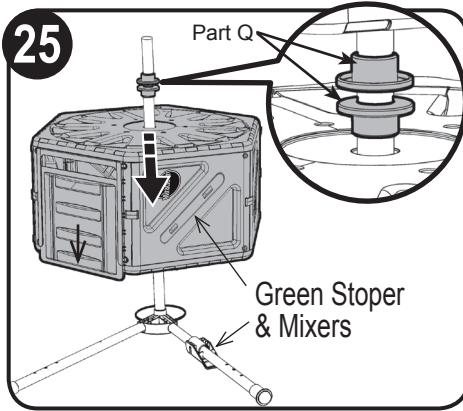
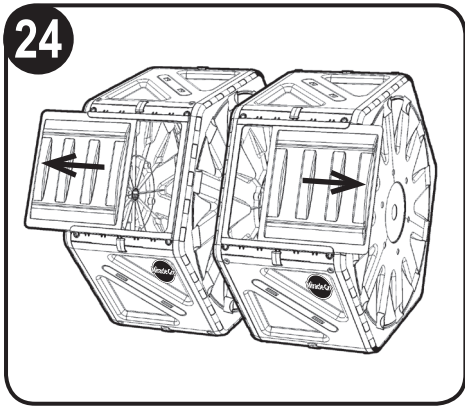


Assembly Instructions

www.dfomer.com/Dual-Chamber-Composter-140L-Assembly



Questions? Call
720-584-0278





Composteur Rotatif 2x18.5 gallons (2x70 litres) Deux compartiments

Notice d'Utilisation

Description – Caractéristiques – Action de
Composter – Instructions d'assemblage



Notice d'Utilisation

www.dfomer.com/Dual-Chamber-Composter-140L-Assembly

Miracle-Gro® est une marque
déposée d'OMS investments, Inc.
exploitée sous licence.



Questions? Appelez au
720-584-0278



www.dfomer.com
www.miraclegro.com



Composteur Rotatif Deux compartiments

Notice d'Utilisation



AVERTISSEMENTS

- ⚠ Ne pas excéder un poids maximum de 2x23 Lbs (2x10.5 kg).
- ⚠ Cet article n'a pas été conçu pour stocker des produits chimiques inflammables ou caustiques.
- ⚠ Cet article n'a pas été conçu pour mélanger du ciment.
- ⚠ Cet article ne doit pas être utilisé par des enfants ou des animaux domestiques.
- ⚠ Réparez ou remplacez immédiatement les pièces endommagées.
- ⚠ Ne pas s'asseoir ni se tenir debout sur le cadre ou le tambour.
- ⚠ Le fabricant décline toute responsabilité en cas de dommages suite aux intempéries ou à une mauvaise utilisation.
- ⚠ Evitez toute chaleur excessive en provenance d'une source auxiliaire.

NOTICES DE SECURITE ET D'ENTRETIEN

Faites attention en basculant le composteur. Ne laissez pas les animaux domestiques, les enfants ou toute autre personne se tenir trop près du composteur.

Tenez les mains à bonne distance du point de traction hors du basculement du composteur.

Un basculement trop rapide risque de blesser l'utilisateur.

Verrouillez les deux couvercles avant de procéder au basculement.

Verrouillez le tambour en position verticale après chaque usage.

Nettoyez le tambour et les couvercles avec un tuyau d'arrosage après chaque cycle de compostage. N'utilisez pas de produits de nettoyage à l'intérieur du tambour. Les micro-organismes et les insectes responsables du compost seront tués s'ils sont exposés à des solutions et des vapeurs de produits de nettoyage.



GARANTIE

2 ans garantie

POURQUOI COMPOSTER

Composter dans votre Jardin — Le compostage est la manière naturelle de recyclage. Toute plante qui meurt en fin de saison peut être consommée par des animaux et par des créatures microscopiques. En résultent des excréments qui forment le compost. Celui-ci est en fait une combinaison d'aliments digérés et non digérés qui est laissée sur le sol afin de créer un sol riche et doux.

L'action de compostage dans votre arrière-cour ou votre jardin consiste en une décomposition volontaire et contrôlée de matières organiques afin de générer ce compost. C'est un procédé relativement facile et écologique. En fait, vous créez le meilleur additif pour votre sol de jardin, pouvant être extrêmement productif

Comment le Compostage peut-il être Ecologique ? - Il réduit la quantité de déchets solides qui aurait été jetée à la poubelle. Les garnitures du jardin et les déchets de cuisine constituent environ 1/3 de tous vos déchets. Tout ceci s'amonce à des millions de tonnes qui, au lieu d'être jetées, pourraient être transformées en compost réutilisable.

C'est aussi une façon géniale de faire des économies d'engrais et de réduire la pollution chimique de votre jardin. L'usage de compost en lieu d'engrais chimiques pourra assurer une façon naturelle d'enrichir votre jardin et de le maintenir en bon état.



Composteur a Tambour Basculant

GENERAL

Le Composteur à Tambour Basculant contient un mécanisme à barres ou à nageoires qui mélange et brise des ensembles plus importants afin d'actionner et d'accélérer le processus de décomposition. Ce type de composteur est capable d'atteindre des températures de plus de 140°. Pour que le composteur soit efficace il est indiqué d'utiliser un mélange correcte de matériaux "bruns" (carbone) et "verts" (nitrogène) (voir aussi LISTE DE COMPOSANTS CLES POUR UN BON COMPOSTE).

Il y a lieu d'ajouter de l'eau uniquement quand c'est nécessaire et il faut tourner le composteur tous les deux jours afin de maintenir une distribution uniforme des ingrédients, micro-organismes et humidité. En un laps de temps de quelques semaines, votre Composteur à Tambour Basculant transformera vos déchets en un engrais naturel, notamment le Compost.

LE COMPOST PEUT ETRE PRODUIT AVEC VOTRE COMPOSTEUR PAR DEUX PROCÉDES DIFFÉRENTS:

1. La meilleure méthode: Produisez votre compost en fournées, en remplissant le composteur à plein et en le laissant décomposer jusqu'à terme. L'utilisation de deux composteurs en parallèle, permet d'ajouter des déchets au second et d'attendre que le premier ait terminé son processus de décomposition. L'abstention d'ajouter plus de matériaux à la fournée de compost en cours assurera de meilleurs résultats. Une fournée fraîche de déchets peut alors être débutée au terme de celle-ci.

2. Une autre méthode se fait en compostage continu, en rajoutant des déchets frais dans le processus de décomposition. En sélectionnant cette méthode avec votre composteur, il y a lieu d'arrêter le rajout de déchets lorsque le composteur est presque rempli et de laisser le contenu se décomposer. Ce n'est qu'au terme de ce processus qu'il peut être recommencé à nouveau.

LISTE DE COMPOSANTS CLE POUR OBTENIR LE MEILLEUR COMPOST

Processus de Décomposition — Ce n'est qu'au premier essai du processus qu'on se rend compte combien de petites créatures participent à la décomposition. Ce mélange de créatures, y compris une multitude d'insectes, de cafards, limaces, bactéries et champignons, forment ce qu'on appelle un "réseau nutritif". Le rajout d'une petite quantité de sol à ce mélange peut être utilisé pour initier le processus. Les créatures dans le sol contribueront à la décomposition et peuvent même l'accélérer.

Chaque membre du réseau nutritif a sa contribution propre à votre compost et il doit être livré à son sort afin d'exécuter son travail. Si l'on détruit l'un des organismes membres à l'aide, par exemple, de pesticides, le cycle naturel en sera perturbé et le compost sera infecté de pesticides.

Ingrédients — Les ingrédients de base pour le compostage sont: le nitrogène, le carbone, l'eau et l'air. L'eau et l'air sont disponibles à tout moment. Fournir les autres ingrédients semble un peu plus compliqué. On les nomme en fait les "verts" et les "bruns" (aucun rapport avec leur couleur mais le vert = riche en nitrogène, et le brun = riche en carbone). Les ingrédients "verts" représentent les protéines pour les créatures actives, alors que les "bruns" fournissent l'énergie. Toute plante de votre jardin peut être utilisée pour "nourrir" ces créatures. Le Composteur à Tambour Basculant doit simplement être rempli de ces ingrédients et être mélangé. L'eau se rajoute séparément et le tout doit être basculé pour permettre l'aération. Il faut alors laisser le Composteur travailler seul afin de faciliter le processus de décomposition.



Proportion Nitrogène / Carbone — Les proportions idéales sont de 3/4 d'ingrédients "bruns" et 1/4 Mt d'ingrédients "verts". Un tel mélange assurera à la masse de maintenir une quantité appropriée d'humidité et d'air et accélérera le processus de décomposition. Une quantité supérieure de nitrogène alourdira la masse, ce qui ralentira le processus de décomposition. Il est alors temps d'ajouter plus ingrédients "bruns".

Nitrogène — Les ingrédients "verts" tels que tontures de pelouse, feuilles vertes, fumier, déchets de jardinage constituent des sources idéales de nitrogène pour le compostage. On peut en dire de même pour les déchets de cuisine, tels que restes de légumes ou de fruits, qui eux aussi génèrent de la nitrogène. Les déchets de cuisine sont conservés en général dans un récipient en plastique situé en dessous de l'évier. Avant d'utiliser ceux-ci pour le compostage, faites un effort de découper les grands morceaux avant l'usage.

Carbone — Les ingrédients de jardinage "bruns" tels que feuilles mortes, brindilles ou foin fournissent la partie carbone du mélange et assureront un compost plus léger et plus aéré. La meilleure façon de générer du carbone est à l'aide de feuilles mortes. Celles-ci peuvent être ramassées, déchirées et emmagasinées pour être utilisées au courant de l'année. Si le mélange devient trop humide ou contient trop de nitrogène, rajoutez des feuilles mortes. (Voir TABLEAU DE BASE NITROGENE / CARBONE pour plus de détails).

Eau — On néglige trop souvent l'humidité au cours du compostage. Le compost doit rester humide tout au long du processus. Un taux d'humidité d'environ 50% est acceptable. Comment s'assurer qu'on obtient un tel taux d'humidité ? On ouvre tout simplement le tambour du composteur et on saisit et presse une poignée du mélange dans la main ; si le mélange relâche quelques gouttes d'eau, l'humidité est probablement suffisante, sinon il faut rajouter de l'eau en insérant un tuyau d'arrosage profondément dans le mélange pour ne pas humidifier que la couche supérieure. Laissez s'écouler l'eau en excès à travers les bouches de ventilation. Le mélange doit rester humide mais pas mouillé.

Air — Toutes les créatures et les champignons se trouvant dans le mélange ont besoin d'oxygène au cours du processus. Un mélange trop dense ou trop humide, empêche l'approvisionnement en air à l'intérieur du mélange et les créatures qui y sont au travail seront probablement exterminées. Le processus ralentira et causera des odeurs nauséabondes. Pour empêcher ceci et pour accélérer le processus, il faut imposer un mouvement rotatif au tambour environ tous les deux jours. Ce sera également une bonne occasion pour rajouter des feuilles mortes déchirées au mélange. La prévention d'humidité peut également se faire en ouvrant le couvercle du composteur pour quelques heures.

N'ayez pas peur de faire des erreurs pendant le processus, vous apprendrez sur le tas. Il serait également utile de prendre note de vos expériences ; ces notes pourront servir en fin de compte ! Voir DEPANNAGE pour plus de détails.

NOTE: Le processus de décomposition a souvent rapport à la surface sur laquelle les petites créatures opèrent. Les meilleurs résultats sont obtenus lorsque les parties composant le mélange en décomposition sont relativement petites. C'est pourquoi il est préférable de réduire la taille de celles-ci. Une tondeuse gazon peut être utilisée à cet effet pour des feuilles mortes à défaut d'autres moyens.

TABLEAU DE BASE NITROGENE / CARBONE

MATERIAU	CARBONE/ NITROGENE	INFO
Déchets de cuisine	Nitrogène	Ajouter avec articles de carbone secs.
Restes de fruits et légumes	Nitrogène	Ajouter avec articles de carbone secs.
Fumier de poulets/ lapins	Nitrogène	Excellent 'actif' de compost, utiliser avec modération.
Café moulu	Nitrogène	Filtres peuvent être inclus.
Feuilles de thé	Nitrogène	En vrac ou en sachets.
Tonsures de pelouse	Nitrogène	Ajouter en couches fines pour empêcher de s'amonceler et putréfier.
Plantes du jardin	Nitrogène	N'utiliser que des plantes sans maladies.
Mauvaises herbes	Nitrogène	N'utiliser que des mauvaises herbes non germées.
Fleurs, brindilles	Nitrogène	Découper les tiges de bois trop longues.
Algues marines et varech	Nitrogène	Rincer d'abord; bonne source a traces minérales.
Coquilles d'œuf	Neutre	Bien écrasées.
Feuilles	Carbone	Les feuilles se décomposent plus vite après avoir été réduites en taille.
Paille ou foin	Carbone	Mieux vaut de la paille; le foin (a germes) est moins idéal.
Aiguilles de pin	Carbone	Acides; n'utiliser qu'en quantités modérées.
Cendres de bois	Carbone	N'utiliser que des cendres de matériaux d'origine propre; arroser légèrement.
Carton	Carbone	Découper en morceaux pour éviter l'amoncellement.
Epi de maïs	Carbone	Lent a se décomposer; meilleur si réduit en taille.
Restes de la sécheuse	Carbone	Meilleurs s'ils proviennent de fibres naturels.
Copeaux de bois	Carbone	La richesse en carbone peut être envahissante, et anéantir l'effet de décomposition, d'une fournée autrement optimale; n'à utiliser qu'avec ménagement.
Sciure de bois	Carbone	La richesse en carbone peut être envahissante, et anéantir l'effet de décomposition, d'une fournée autrement optimale; n'à utiliser qu'avec ménagement. Assurez-vous que la sciure est propre, sans huile de machine ou restes d'huile provenant de la scieuse. N'utilisez jamais de la sciure provenant de planches peintes ou traitées.



EVITEZ D'AJOUTER CES INGREDIENTS AU MELANGE DE COMPOST:

- **Viande, poisson, graisse et os** — Ceux-ci peuvent fermenter ou putréfier, causant des odeurs, et attirant des mouches, rongeurs ou autres animaux qui peuvent être nuisibles.
- **Autres aliments tel que produits laitiers, sauces, assaisonnement de salades, et huile de cuisson** — Ceux-ci également peuvent fermenter ou putréfier, causant des odeurs, et attirant des mouches, rongeurs ou autres animaux qui peuvent être nuisibles.
- **Produits en papier** — Doivent être recyclés. Ils peuvent contenir des produits chimiques qui peuvent être nuisibles à votre compost.
- **Cendres** — Les cendres de bois peuvent être très utiles mais en quantités restreintes. Ne jamais mettre des cendres de grillade directement dans le mélange de compost.
- **Fèces de chiens ou de chats** — Peuvent poser un risque de maladies! Le rajout modéré de fumier de poulet, cheval, bovidés ou lapins peut convenir.
- **Mauvaises herbes perpétuelles ayant germe ou plantes malades** — Ne peuvent pas être utilisées car l'utilisation de leur compost peut générer leur dissémination.
- **Aliments cuits ou en boîtes contenant du sel**- Le sel extermine les petites créatures qui sont à l'origine du processus de compostage dans votre mélange.

Important: Ne rajouter aucune partie du Noyer Noir; celui-ci contient un produit chimique qui empêche la croissance de certaines plantes, en particulier des tomates.

DEPANNAGE

SYMPTOME	PROBLEME(S)	SOLUTION(S)
Odeur	Trop de nitrogene	Rajoutez des matériaux "bruns" et opérer la rotation du tambour
	Trop d'humidité	
	Manque d'oxygène	
Le mélange ne s'échauffe pas	Manque de nitrogene	Rajoutez des matériaux "bruns" et opérer la rotation du tambour
	Manque oxygene	Opérer la rotation du tambour
	Manque humidité	Humidifier le mélange
	Trop humidité	Rajoutez des matériaux "bruns" et opérer la rotation du tambour
	La taille des parties dans le mélange est trop grande	Coupez ou réduisez la taille des parties
Attire des animaux nuisibles ou autres	Le mélange contient des os, de la viande ou des aliments gras, ou alors du fumier animal	EVITEZ D'AJOUTER CES MATERIAUX AU MELANGE. (voir EVITER D'AJOUTER CES MATERIAUX AU MELANGE)

QUELQUES CONSEILS ET ASTUCES

Masse Critique — Une masse d'ingrédients est requise afin de rendre votre processus de compostage plus efficace. Il est indiqué de commencer avec un minimum de 1 pied cubique (28 litres) d'ingrédients, ou plus. Le Composteur à Tambour Basculant peut contenir jusqu'à 6,5 pieds cubiques (182 litres). Un mélange bien constitué peut atteindre une température opérationnelle d'environ 140° F (60° C) en dehors des cinq jours. A ce point, le mélange commencera à "s'établir". Voilà un bon signe que le mélange se décompose comme il se doit.

NOTE: Au moment où le mélange atteint une taille appropriée, ne rajoutez plus d'ingrédients au compost en processus, au danger de créer une initiation nouvelle du mélange et de tout recommencer à zéro. C'est la raison pour laquelle il est conseillé d'utiliser au moins deux composteurs.

Quand le processus est terminé ? — Le compost est prêt lorsque les ingrédients d'origine se sont transformés en un produit uniforme, émietté et de couleur brun foncé, d'un arôme plaisant de terre. Retirez le compost du tambour, en laissant un peu à l'intérieur, ce qui permettra d'amorcer l'opération des microbes lors de la prochaine fournée.

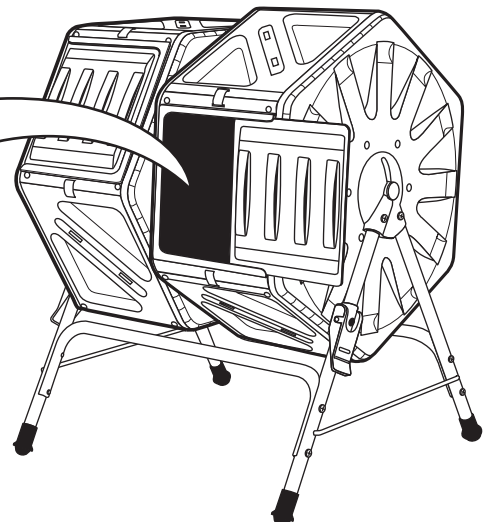
CA QUELLE OCCASION UTILISER LE COMPOST

Engrais de Jardin et Reconstitution du Sol- Le compost peut être utilisé tout au long de la saison comme engrais pour le jardinage. Répartissez-le tout simplement autour de vos plants de légumes et de fleurs et vous leur offrirez une source alimentaire et une prévention contre les maladies à dosage lent. Pour améliorer la couche arable, la fertilité, la rétention d'eau en sols sablonneux, ou l'écoulement d'eau en sols argileux ainsi que les caractéristiques du sol contre les maladies, ajoutez du compost au printemps et en automne.

Alimentation de Pelouses - Le compost tamisé (un compost qui a été passé à la passoire pour filtrer les parties les plus petites) peut être utilisé comme engrais de pelouse tout au long de la saison. Il offrira une excellente alimentation et une prévention contre les maladies à dosage lent. Vu que les éléments nutritifs ne sont pas aussi concentrés que les engrais chimiques, vous éviterez les lignes qui peuvent se produire lorsque les engrais chimiques sont mal utilisés, ainsi que les dépôts chimiques.

Mélange pour Plantes en Pots (plantes en pots, germination) — Le compost peut être rajouté au sol pour pots afin de créer un mélange riche en éléments nutritifs. La plupart des mélanges en vente commerciale sont préparés à base de tourbe Canadienne, qui est pratiquement dépourvu de tels éléments, ce qui rend l'addition d'un bon compost comme véritable stimulant.

Lorsque la chambre n° 1 est pleine (recommandé : pas plus de 2/3) ajoutez de nouveaux éléments dans la chambre n° 2





EMPLACEMENT POUR VOTRE COMPOSTEUR BASCULANT

Choisissez une surface plane et nivelée qui convient à vos matériaux de base (restes de cuisine, tontures de pelouse, jardins, etc.).

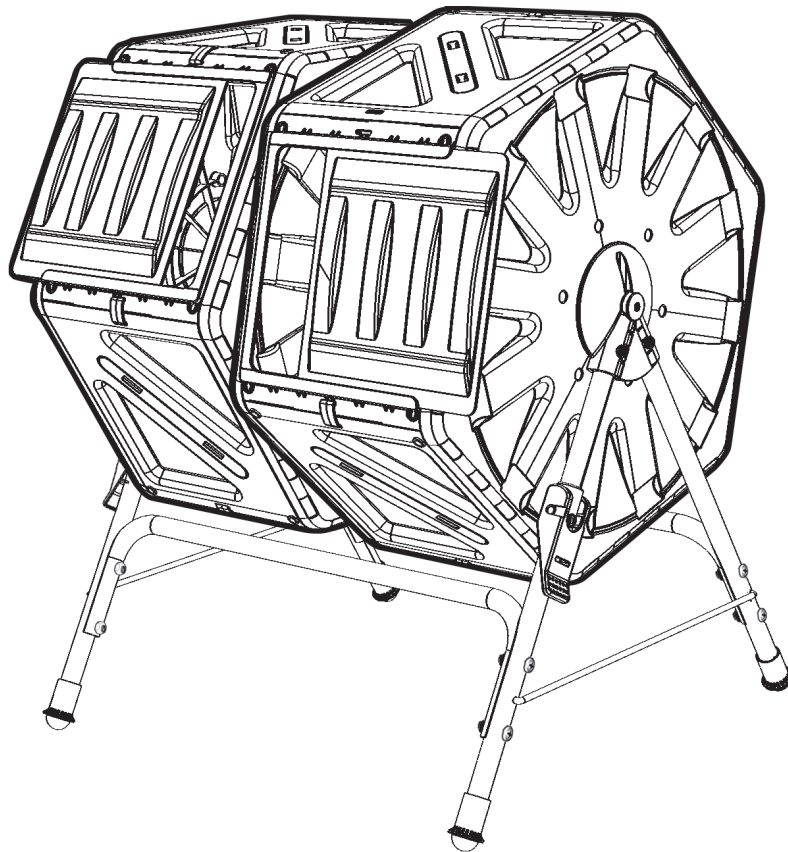
Vu que les microbes opèrent le mieux à des températures élevées, la température est un élément clé dans le processus de décomposition. Malgré le fait que les microbes génèrent leur propre chaleur en cours de travail, vous pouvez les aider à maintenir cette chaleur en plaçant votre Composteur à l'abri du vent et en plein soleil. Dans des régions chaudes il peut être placé également à l'ombre. La décomposition la plus rapide se déroule entre 140° (60° C) et 160° Fahrenheit (71° C), mais elle se déroulera aussi partiellement tant que le compost est maintenu au-dessus de la température de gel.

HIVER — Vu que votre Composteur Basculant est portable, il peut être déplacé (même s'il est rempli) par une ou deux personnes vers un emplacement plus propice. En hiver, placez-le près de la porte de votre arrière-cour pour éviter de longues marches pour recycler vos déchets de cuisine. Bien que les microbes cessent leur mode d'opération lorsque la journée gèle, le gel démolit les fibres dans les matériaux organiques et accélère la décomposition qui aura lieu au printemps. En hiver, ne basculez pas votre tambour mais continuez à rajouter des déchets. Au printemps, lorsque ceux-ci dégèlent, basculez votre tambour et commencez à ajouter des matériaux en proportions correctes. Il se trouvera que vous devrez ajouter beaucoup d'ingrédients à carbone pour obtenir ces proportions, c'est pourquoi il ne faut pas remplir le composteur à ras au cours de l'hiver.

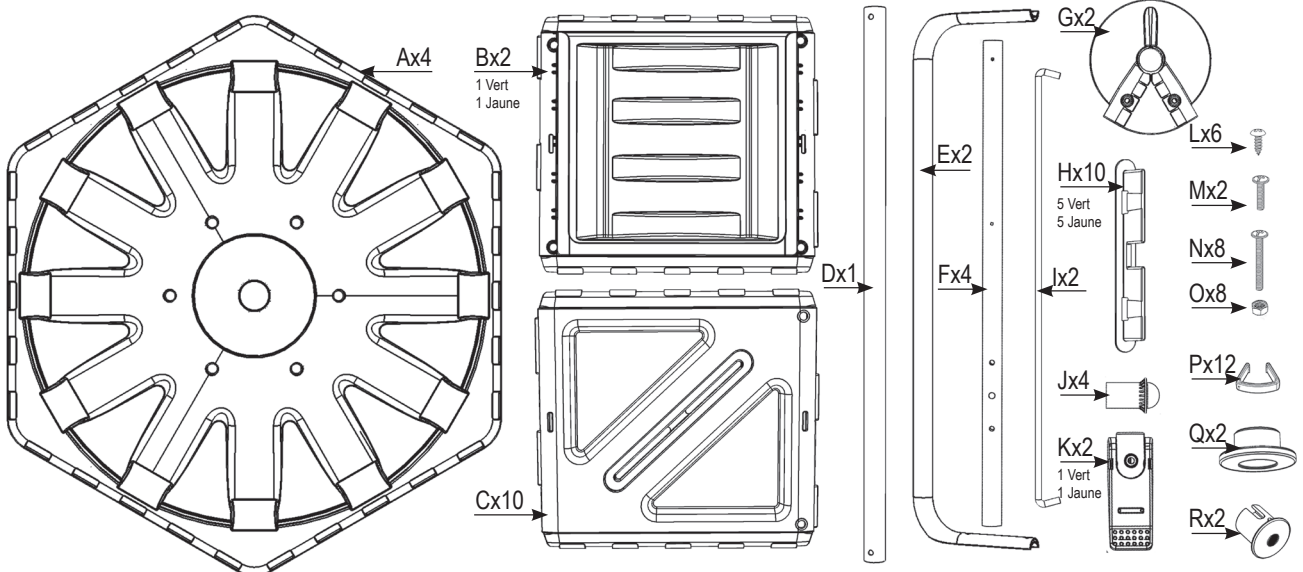
Si vous n'utilisez pas votre composteur en hiver, déplacez-le vers un emplacement abrité de vents forts et de neige. Idéalement il peut être placé dans un garage ou dans un abri.

INSTRUCTIONS D'ASSEMBLAGE

Outils Requis: Pincettes coupantes, Tournevis Philips



Composteur à Tambour Basculant parties:



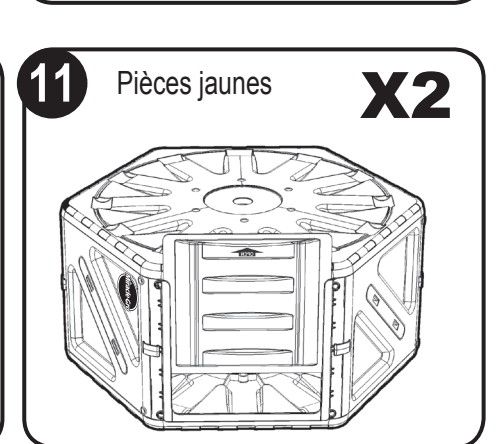
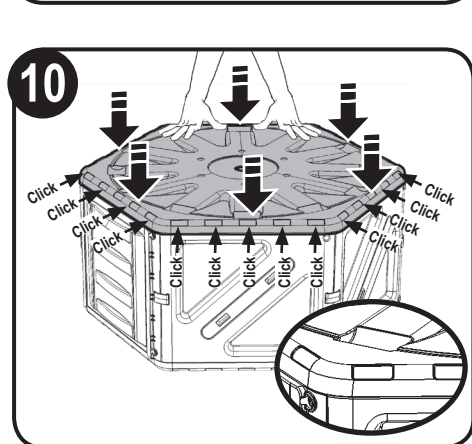
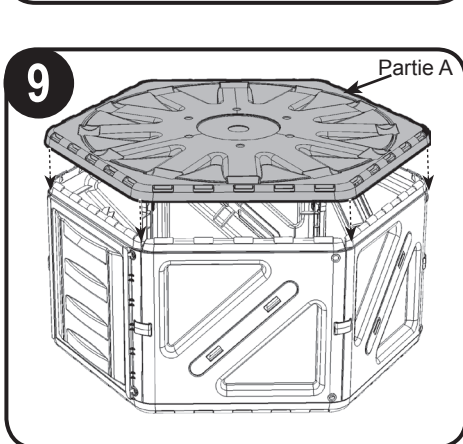
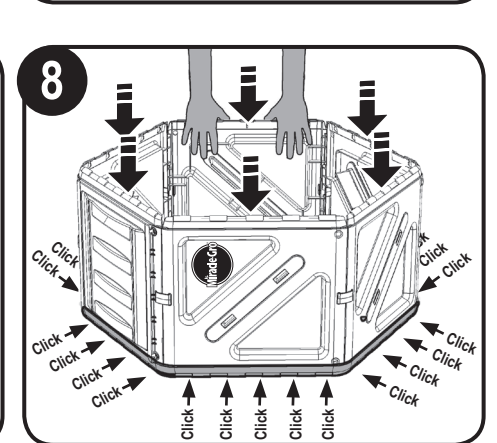
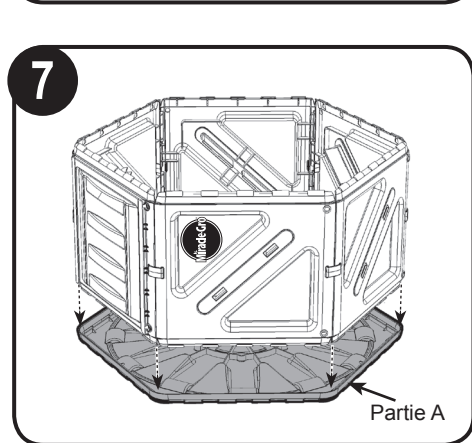
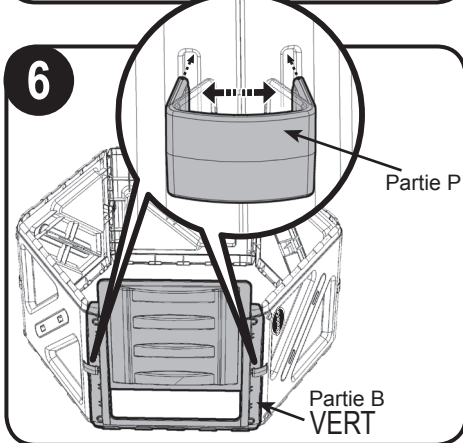
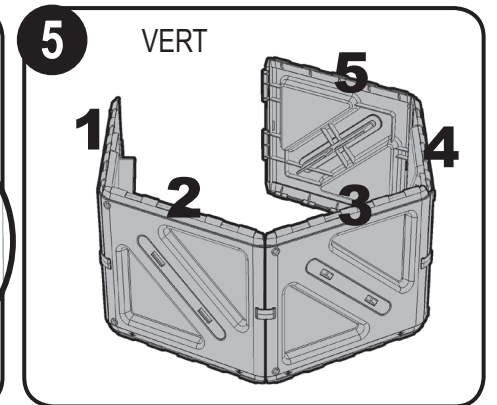
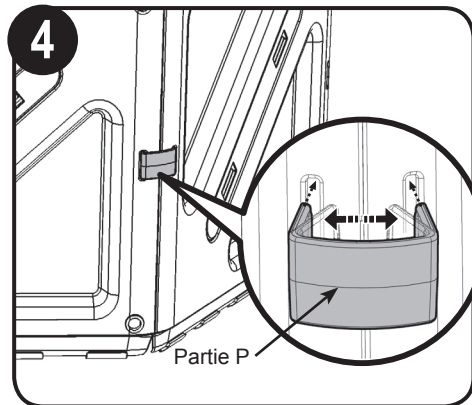
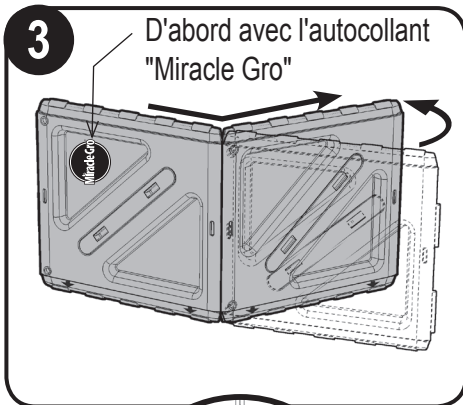
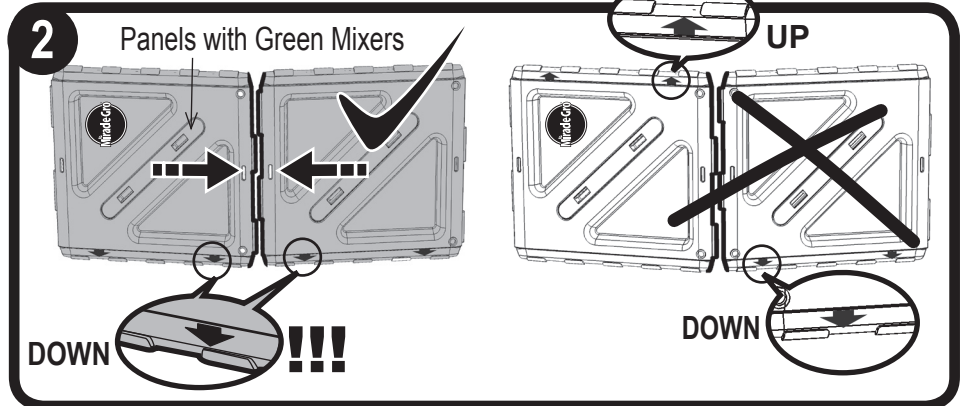
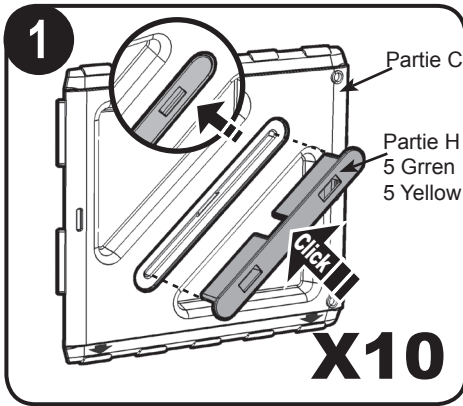


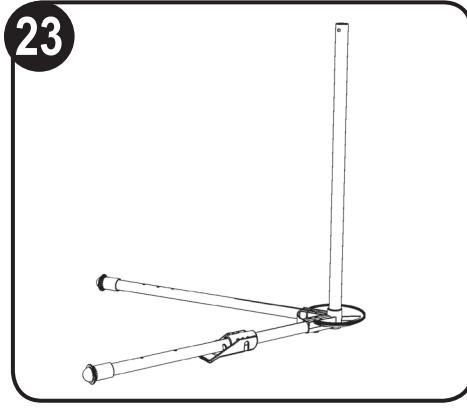
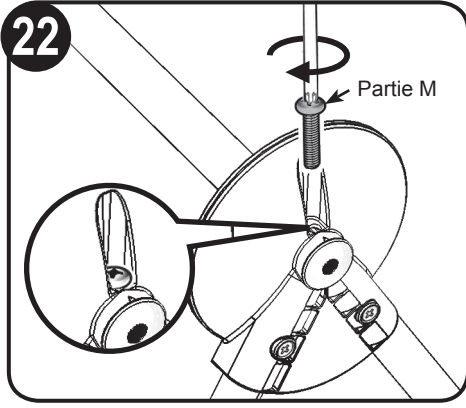
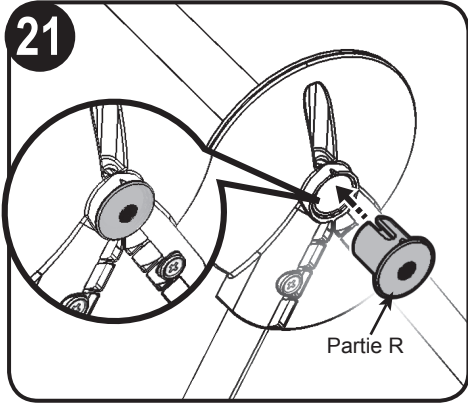
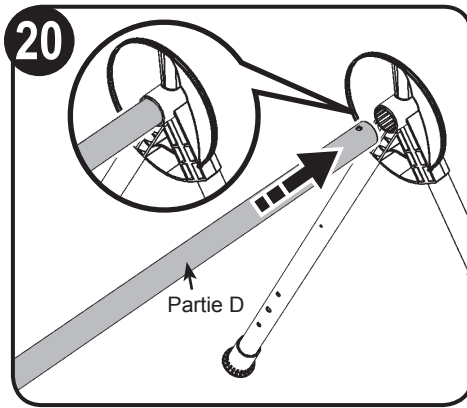
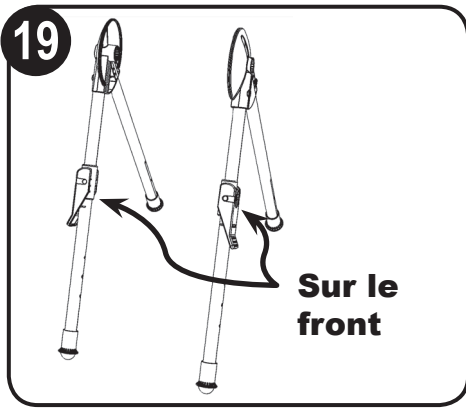
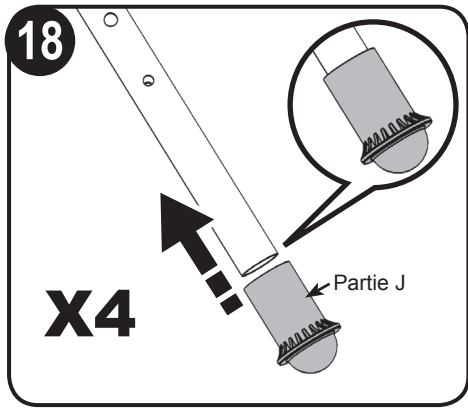
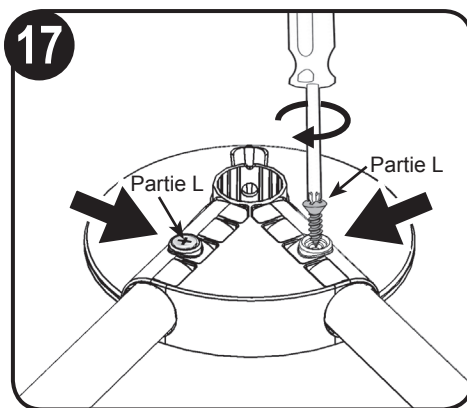
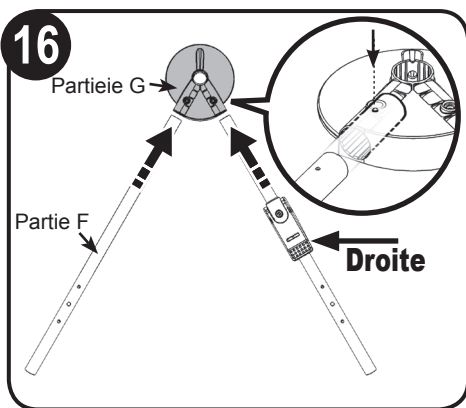
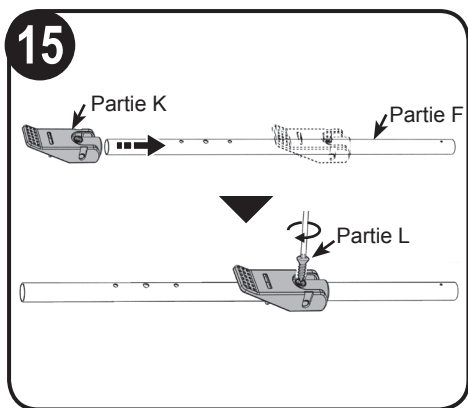
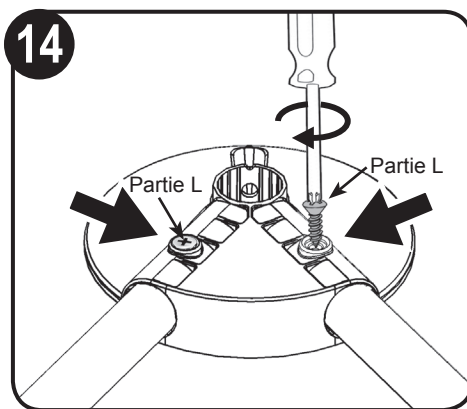
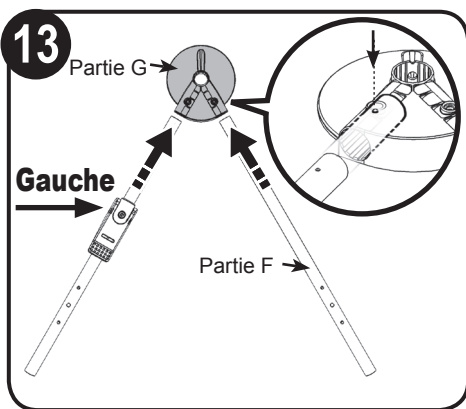
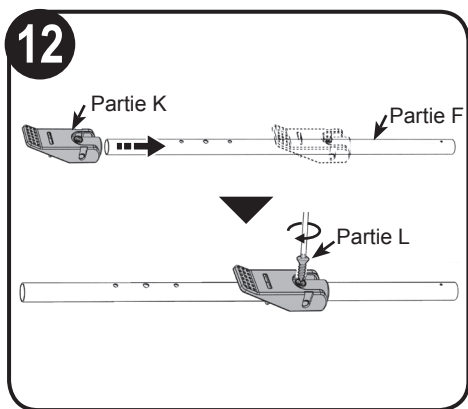
Notice d'Utilisation

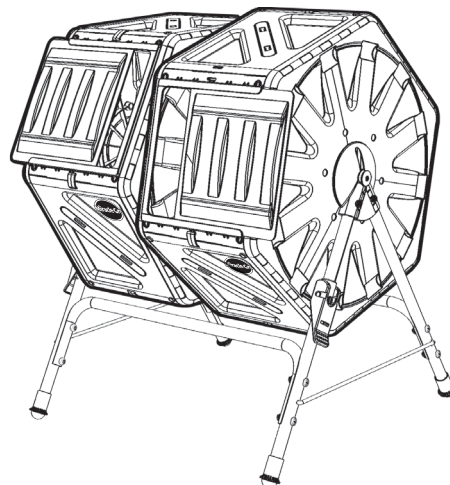
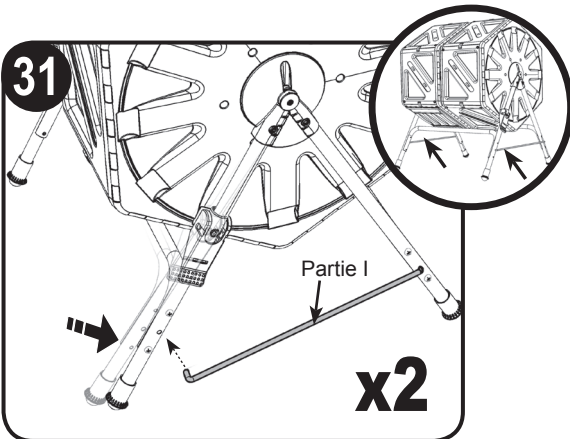
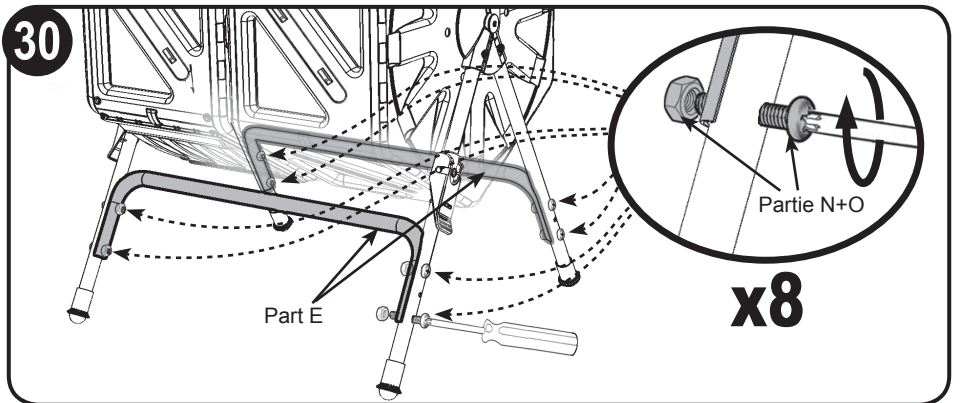
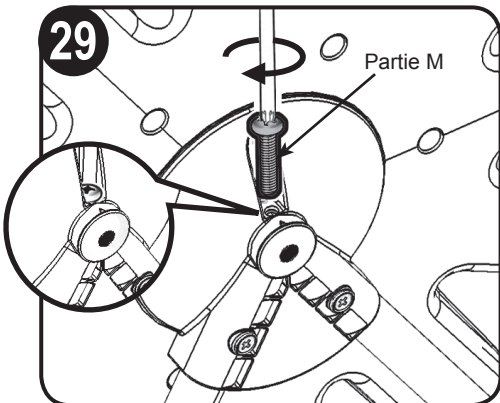
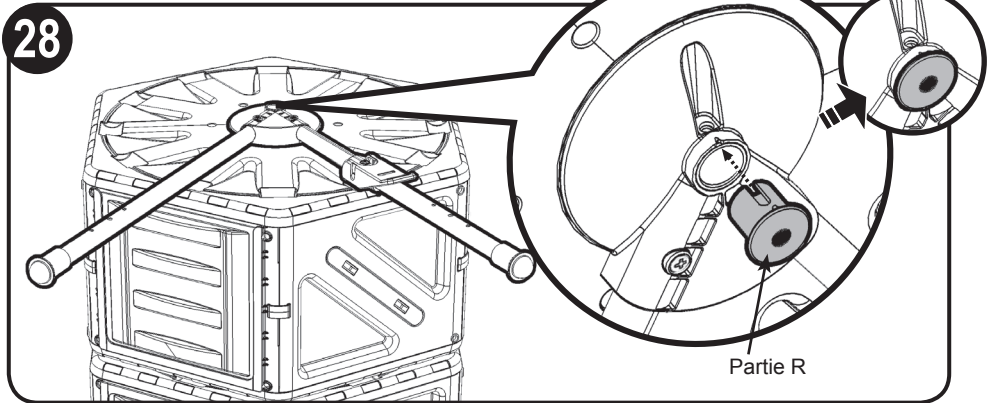
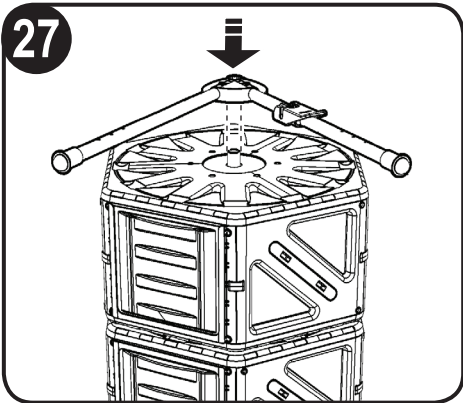
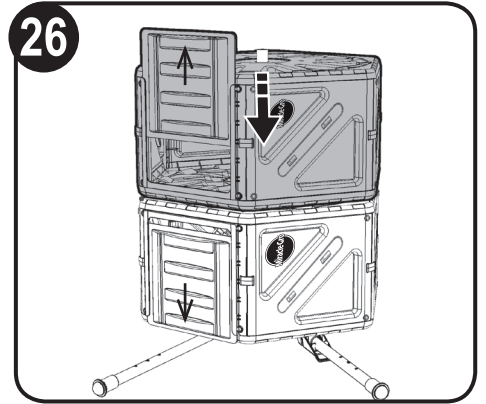
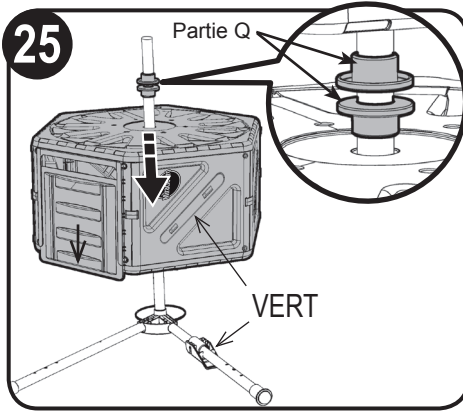
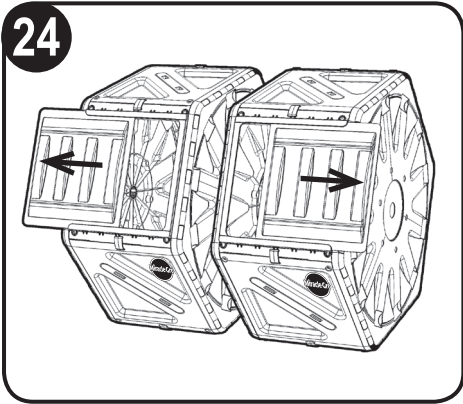
www.dfomer.com/Dual-Chamber-Composter-140L-Assembly



Questions? Appelez au
720-584-0278









Doble Cámara 2x18.5 Galones (2x70 Litres) Mezcladora de Compostaje

Descripción de Manual de Instrucciones -
Características - Compostaje - Instrucciones
de Montaje



Instrucciones de Montaje

www.dfomer.com/Dual-Chamber-Composter-140L-Assembly

Miracle-Gro® is a registered
trademark of OMS investments, Inc.
and is used under license.



Questions? Call
720-584-0278



www.dfomer.com
www.miraclegro.com



Mezcladora de Compostaje

Manual de Instrucciones



ADVERTENCIAS

No superar los valores máximos de peso de 2x23 Lbs (2x10.5 kg).

No está destinado para el almacenamiento de productos químicos inflamables o cáusticos. No apto para preparación de hormigón.

No destinado al uso para los niños o animales domésticos. Para evitar asfixia no permitir que los niños jueguen en el interior. Repare o reemplace las partes rotas inmediatamente.

No se siente o permanezca de pie en la estructura o en el tambor.

El fabricante no es responsable de los daños causados por las condiciones climáticas o por el mal uso. Evite el exceso de calor de cualquier fuente auxiliar.

SEGURIDAD GENERAL E INSTRUCCIONES PARA SU CUIDADO

Utilice con precaución cuando esté dando vueltas. Mantenga los animales domésticos, los niños, y otras personas fuera de peligro del compostador. Mantenga las manos lejos del tambor para delimitar los puntos de riesgo de contacto cuando de vueltas.

El exceso de velocidad al girarlo puede causar lesiones al usuario. Ambas tapas se deben bloquear antes de girarlo.

Bloquee el tambor en posición vertical después de cada uso.

Limpie el tambor y la tapa con una manguera de jardín después de cada ciclo de compost. No haga uso de productos de limpieza en el interior del tambor. Los

microorganismos e insectos que crean el compost perecerán si son expuestos a productos de limpieza y a humos.



GARANTÍA
2 años de garantía

¿POR QUÉ SE ELABORA EL COMPOST?

Compostaje en su jardín - Compostaje es la manera natural de reciclar. Todas las plantas que mueren al final de la temporada pueden ser consumidas por animales vivos y por criaturas microscópicas. El resultado de sus excreciones es el compost, que es en realidad una combinación de alimentos digeridos y sin digerir, y se deja en la tierra para crear una tierra rica y suave.



El compostaje en su terreno o jardín es la descomposición controlada de buena cantidad de materiales orgánicos para producir el compost. Es un proceso fácil y amigable con el medio ambiente. De

hecho, usted está creando el mejor aditivo para un suelo de jardín extremadamente productivo.

¿Cómo es el compostaje amigable con el medio ambiente? - Reduce la cantidad de residuos sólidos que se eliminarían como un montón de basura. La poda del jardín y

los desechos alimenticios suponen hasta 1 / 3 de todos sus residuos. Todo esto asciende a millones de toneladas que, en lugar de desperdiciarse, podría convertirse

en compost útil.

Es también una gran forma de ahorrar en fertilizantes químicos y reducir de manera significativa la contaminación química de su jardín. El uso de compost en lugar de fertilizantes químicos garantizará una manera natural para hacer que su jardín crezca y permanezca saludable.



LA MEZCLADORA DE COMPOSTAJE

GENERAL

La Mezcladora de Compostaje contiene un mecanismo con varillas o aletas que mezclan y deshacen montones mas grandes para activar y fijar el proceso de descomposición. Tales compostadoras son capaces de llegar a una temperatura de más de 140 °. Para que el compost sea eficiente, se requiere una relación correcta de mezcla de materiales "marrón" (de carbono) y "verde" (de nitrógeno) (Véase la LISTA DE COMPONENTES CLAVE PARA UN GRAN COMPOST).

Se debería de agregar agua sólo cuando sea necesario y el tambor debería de girarse cada día más o menos para mantener todos los ingredientes, microorganismos, y humedad distribuidos uniformemente. Al cabo de unas pocas semanas, su Mezcladora de Compostaje transformará sus residuos en este fertilizante natural llamado compost.

EL COMPOST SE PUEDE PRODUCIR CON SU TAMBOR MEDIANTE DOS PROCESOS DIFERENTES:

1. **El mejor método:** Producir compost en lotes, cargando hasta que el tambor esté lleno, y dejar que se descomponga hasta que esté completado. Cuando estén ejecutándose dos tambores al mismo tiempo, uno puede comenzar añadiendo residuos al segundo tambor y esperar a que el primero complete su proceso de descomposición. Abstenerse de añadir más materiales al montón que se está tratando de compost garantizará mejores resultados. Un lote con nuevos materiales de residuo puede comenzarse entonces cuando el primero se haya completado.
2. Otro método es compostaje continuo, donde se añade más y más materiales, mezclando residuos frescos en el proceso de descomposición. Cuando elija este método con el tambor, se debería de parar de añadir cuando el tambor esté casi lleno, y dejar que el contenido se descomponga. Sólo después de que se haya completado se puede iniciar el proceso otra vez.

LISTA DE COMPONENTES CLAVE PARA OBTENER UN GRAN COMPOST

El Proceso de Descomposición - Cuando lleve a cabo el proceso por primera vez, puede que se sorprenda de ver cómo participan tantas pequeñas criaturas en el proceso de descomposición. Esta mezcla de criaturas, que incluyen muchos insectos, bichos, babosas, bacterias, y hongos, forman lo que se llama una "Cadena alimentaria". Agregar una pequeña cantidad de suelo a esta mezcla puede utilizarse para iniciar el proceso. Las criaturas en el suelo en realidad ayudarán a acelerar la descomposición. Cada uno y todos los componentes de la cadena alimentaria tienen su propia contribución para su compost y debe dejarse que haga su trabajo por sí solo. Si cualquiera de los organismos miembros se elimina por utilizar agentes tales como pesticidas, el ciclo natural se perturbará y el compost se verá infectado por los pesticidas.

Ingredientes - Los ingredientes básicos para el compostaje son los siguientes: nitrógeno, carbono, agua y aire. El agua y el aire deben estar fácilmente disponibles. Proporcionar los ingredientes restantes es de alguna manera más complicado. En realidad se refiere con ellos a "verdes" y "marrones" (No se refiere al color sino verde = rico en nitrógeno, y marrón = rico en carbono). Los ingredientes "verdes" representan las proteínas para las criaturas activas, y las "marrón" los ingredientes que suministran la energía. Cualquier planta en su jardín puede ser utilizada para "alimentar" estas criaturas. La Mezcladora de Compostaje simplemente se debería de rellenar con estos ingredientes y mezclarse. Se debe añadir agua por separado y todo el conjunto se debe de voltear para que tenga aire. Se debería de dejar el compostador después sólo para que el proceso de descomposición tome lugar.

La proporción de Nitrógeno / Carbono - La mezcla ideal es de 3 / 4 "marrón" y 1 / 4 de ingredientes "verde"



por volumen. Tal mezcla buena de ingredientes "marrón" y "verde" garantizará que la masa mantenga la cantidad apropiada de humedad y aire, y fije el proceso de descomposición. Un aumento de la cantidad de nitrógeno generará una masa pesada, que ralentizará el proceso de descomposición. Entonces, puede que sea el momento adecuado para añadir más ingredientes "marrón"!

Nitrógeno - El rango de los ingredientes "verde" de recortes de césped, hojas verdes, abonos, para podas de jardín son fuentes ideales de nitrógeno para el compostaje. Se puede decir lo mismo de los residuos alimenticios, tales como vegetales y restos de frutas, que también generan nitrógeno. Los desechos alimenticios se mantienen por lo general en un contenedor de plástico bajo el fregadero. Antes de utilizarlos como ingredientes para el compostador, recorte los trozos más grandes antes de usarlos.

Carbono - ingredientes de jardín "marrón" tales como hojas secas, ramitas, o heno proporcionan la parte de carbono de la mezcla y garantizará un compost más ligero y oxigenado. El carbono se proporciona mejor por la utilización de hojas secas. Las hojas secas se pueden recoger, destrozarse, y almacenar para que se utilicen durante todo el año. Si se moja demasiado la mezcla o si contiene demasiado nitrógeno, añada hojas secas. (Consulte la TABLA BÁSICA DE NITRÓGENO / CARBONO para más información detallada).

Agua - Un error común durante el proceso de compostaje es descuidar la humedad. El compost debe permanecer húmedo todo el tiempo durante el proceso. Más o menos el 50% de humedad es aceptable. ¿Cómo podemos asegurarnos de que se logre ese nivel de humedad? Uno puede simplemente abrir el tambor del compost, coger y exprimir un puñado de material en su mano; si caen algunas gotas de agua es probable que esté suficientemente húmedo, si no es así, se debería añadir agua introduciendo una manguera al fondo de la mezcla para que no sólo se moje la capa superior. Deje que el exceso de agua drene a través de los huecos de ventilación. La mezcla debe seguir estando húmeda, pero no mojada.

Aire - Todas las criaturas y hongos en la mezcla de compost necesitan oxígeno durante el proceso. Si la mezcla es demasiado densa o está demasiado húmeda, el suministro de aire se evita y las criaturas que forman parte del proceso probablemente se exterminarán. El proceso se retrasará y comenzará a haber un hedor que puede que cause náuseas. Para prevenir esto y fijar el proceso, el tambor se debe de girar cada dos días más o menos. También será un buen momento para añadir hojas desechadas de las que hay acumuladas. Para prevenir la humedad también se puede lograr abriendo la apertura del compostador durante unas cuantas horas.

No tenga miedo de cometer errores durante el proceso, aprenderá de la experiencia. Sería una buena idea escribir estas experiencias y mantener algunos registros; ¡puede que sean útiles al final! Consulte SOLUCIÓN DE PROBLEMAS para más información detallada.

NOTA: El proceso de descomposición tiene mucho que ver con el área de la superficie donde tienen que trabajar las pequeñas criaturas. Los mejores resultados se logran cuando los pedazos individuales en la mezcla de la descomposición se mantienen pequeños. Por lo tanto, corte o destruya los ingredientes más grandes en trozos más pequeños. Se puede utilizar una segadora para destrozarse las hojas secas cuando no haya una trituradora disponible.



TABLA DE NITRÓGENO / CARBONO BÁSICA

MATERIAL	CARBONO/ NITRÓGENO	INFO
Desechos de cocina	Nitrógeno	Agregar con elementos de carbono seco.
Desechos de frutas y vegetales	Nitrógeno	Agregar con elementos de carbono seco.
Estiércol de pollo / conejo	Nitrógeno	Excelente "activador" de compost, usar con moderación.
Posos de café	Nitrógeno	Los filtros también se pueden incluir.
Hojas de té	Nitrógeno	Sueltas o en bolsitas.
Recortes de césped	Nitrógeno	Añadir en capas delgadas para que no se enmarañe en montones y se descomponga.
Plantas de jardín	Nitrógeno	Sólo utilizar plantas libres de enfermedades.
Césped y malas hierbas	Nitrógeno	Utilice sólo las malas hierbas que no hayan echado semillas.
Flores, esquejes	Nitrógeno	Trocear los largos tallos leñosos.
Algas marinas y kelp	Nitrógeno	Enjuagar; buena fuente de trazas de minerales.
Cáscaras de huevo	Neutral	Mejor cuando están aplastadas.
Hojas	Carbono	Las hojas se descomponen más rápido cuando están trituradas.
Paja o heno	Carbono	La paja es mejor; heno (con semillas) es menos ideal.
Acículas de pinos	Carbono	Ácido, usar en cantidades moderadas.
Cenizas de madera	Carbono	Utilice sólo las cenizas de materiales limpios, espolvorear ligeramente.
Cartón	Carbono	Triturar el material para evitar los matojos.
Mazorcas de maíz, tallos	Carbono	Lento para descomponerse; mejor si se pica.
Pelusas secas	Carbono	Mejor si es a partir de fibras naturales.
Astillas de madera	Carbono	El alto contenido de carbono puede abrumar, y cerrar, un lote de otro modo bueno de compost, usar con moderación.
Serrín	Carbono	El alto contenido de carbono puede abrumar, y cerrar, un lote de otro modo bueno de compost, usar con moderación. Asegúrese de que el serrín está limpio, sin ningún aceite de máquina o residuos de aceite de cadena de herramientas cortantes. No utilizar el serrín de madera pintada o tratada.

**EVITE AGREGAR ESTOS INGREDIENTES A LA MEZCLA DE COMPOST:**

- **Carne, pescado, grasas y huesos** - Estos podrían fermentar o pudrirse, causando malos olores, y atrayendo moscas, roedores u otros animales que pueden causar plagas.
- **Otros alimentos como productos lácteos, salsas, aliños de ensalada, y aceite de cocinar** - Estos podrían también fermentar o pudrirse, causando malos olores, y atrayendo moscas, roedores u otros animales que pueden causar plagas.
- **Productos de papel** - Deberían de reciclarse. Podrían contener productos químicos que son perjudiciales para su compost.
- **Cenizas** - Las cenizas de la madera pueden ser muy útiles pero en pequeñas cantidades. No introducir nunca las cenizas de la parrilla directamente a la mezcla de compost.
- **Heces de perro y de gato** - ¡Pueden causar un riesgo de contagio de enfermedades! Añadir moderadamente estiércol de pollo, de caballo, de vaca, y de conejo puede ser adecuado.
- **Continuas malas hierbas que han empezado a sacar raíces o plantas enfermas** - No utilizar ya que pueden propagarse con el compost.
- **Cualquier alimento preparado o en conserva que contenga sal** - La sal acaba con las pequeñas criaturas que trabajan en la mezcla de su compostaje.

Importante: No añadir ninguna parte del nogal negro; ya que contiene un producto químico que puede impedir el crecimiento de algunas plantas, los tomates en particular.

SOLUCIÓN DE PROBLEMAS

SÍNTOMA	PROBLEMA (S)	SOLUCIÓN (S)
Olor	Demasiado nitrógeno	Mezcle el material "marrón" y gire el tambor
	Demasiada humedad	
	Falta de oxígeno	
La Mezcla no se calienta	Falta de nitrógeno	Mezcle el material "marrón" y gire el tambor
	Falta de oxígeno	Gire el tambor
	Falta de humedad	Humedecer la mezcla
	Demasiada humedad	Mezcle el material "marrón" y gire el tambor
	El tamaño de las partículas es demasiado grande	Cortar o moler los materiales
Atrae animales o plagas	La mezcla contiene huesos, carne, o alimentos grasos, o estiércol de animal	EVITE AGREGAR ESTOS MATERIALES A LA MEZCLA. (Vea EVITE ESTOS MATERIALES A LA MEZCLA)

ALGUNOS CONSEJOS Y TRUCOS

Cantidad Crítica - Para hacer que el proceso de compostaje sea más eficiente, se necesita una cantidad crítica para generar un núcleo de calor. Lo mejor sería que comenzara con un mínimo de 1 pie cúbico (28 litros) de ingredientes, por supuesto, cuanto más mejor. La Mezcladora de Compostaje puede almacenar sobre 6.5 pies cúbicos (182 litros). Una mezcla realizada adecuadamente alcanzará una temperatura de trabajo de alrededor de 140 ° F (60 ° C) en unos cinco días. En este momento, la mezcla se estará "asentando". Esta es una buena señal de que la mezcla se está descomponiendo como debería.

NOTA: Una vez que la mezcla ha llegado a un tamaño adecuado, no añada más materia prima al compost en proceso de elaboración, pero en lugar de eso inicie un nuevo lote con nuevos ingredientes. Si añade más ingredientes, reiniciará la mezcla desde el principio. Por eso recomendamos que maneje al menos un par de tambores.

¿Cuándo está el proceso completado? - El compost está listo cuando los ingredientes originales se han convertido en un producto uniforme, oscuro, desmenuzable, con un agradable aroma. Vuelque el compost fuera del tambor, dejando una pequeña cantidad en el interior como microbios de arranque para su siguiente lote.

CUANDO Y CÓMO USAR EL COMPOST

Fertilizante de Jardín y Elaboración de Abono - El compost puede utilizarse durante todo el año como fertilizante de jardín. Simplemente prepare a un lado hortalizas y flores para obtener una fuente de alimentos de liberación lenta y una mejora para la prevención de enfermedades. Para mejorar el labrado, la fertilidad, la retención de agua para suelos de arena, el drenaje de agua para suelos de arcilla, y características para combatir las enfermedades del suelo, cultive el compost en primavera y otoño.

Pasto de Alimentación - El compost recubridor (compost que ha sido espolvoreado para recoger las partículas más pequeñas) puede aplicarse como pasto de alimentación durante todo el año. Proporcionará un alimento maravilloso de liberación lenta así como ayudar en la prevención de enfermedades en el pasto. Ya que los nutrientes no son tan concentrados como en los alimentos de pasto químicos, evitará las tramas que pueden producirse fácilmente cuando se aplican incorrectamente los productos químicos, acompañado del drenaje de productos químicos.

Mezcla para Macetas (plantas en maceta, a partir de semillas) - Se puede añadir compost a la tierra de la maceta para crear una mezcla rica en nutrientes. La mayoría de de las mezclas para macetas son hechas a partir de musgo de turba de Canadá, que está prácticamente vacío de nutrientes, con el suplemento de buen compost proporciona un potenciador real.

UBICACIÓN PARA SU MEZCLADORA DE COMPOSTAJE

Elija una superficie plana, horizontal apropiada para sus materiales originales (restos alimenticios, césped poda, jardín, etc.) Ya que los microbios funcionan mejor a elevadas temperaturas, la temperatura es clave para el desglose del compost.

Aunque los microbios generan su propio calor a medida que trabajan, puede ayudarles a mantener el calor colocando

La Mezcladora de Compostaje fuera del viento excesivo y a la luz del sol. En zonas más calientes del país, una ubicación con sombra puede funcionar también. La descomposición más rápida se produce entre 140°

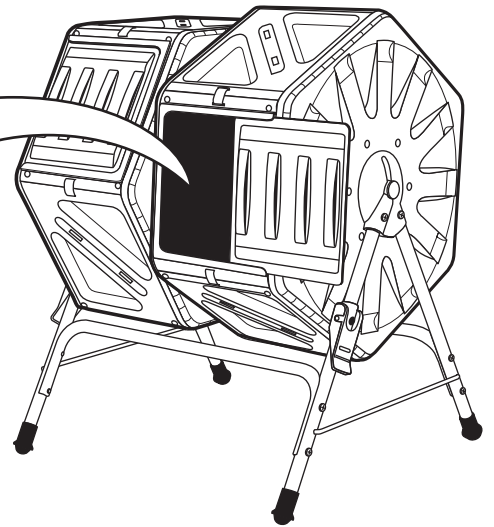


(60 ° C) y 160 ° Fahrenheit (71 ° C), pero algunos desgloses se producirán mientras el compost se mantenga por encima del nivel de congelación.

INVIERNO - Debido a que la Mezcladora de Compostaje es portátil, puede cambiarse de sitio (incluso cuando está llena) por una o dos personas hasta un lugar más conveniente. En invierno, sitúela cerca de su puerta trasera para evitar una caminata larga para reciclar los desechos alimenticios. Aunque los microbios dejan de funcionar cuando el lote se congela, la congelación deshace fibras en el material orgánico, acelerando por lo tanto la descomposición en primavera. En invierno, no ponga en marcha la unidad, sino siga añadiendo residuos. Cuando llegue la primavera y el material se descongele, dele la vuelta y comience a añadir materiales en las proporciones correctas. Puede que vea que es necesario añadir mucho material de carbono para lograr una proporción correcta, de modo que no sobrellene el compost Vaso durante el el invierno.

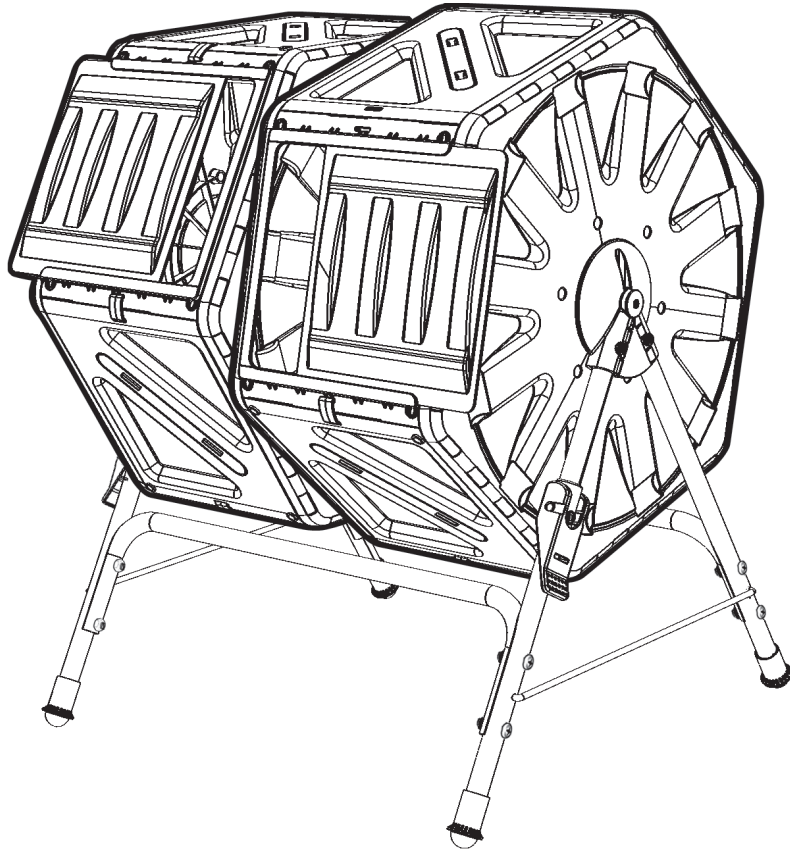
Si no hace uso de la Mezcladora de Compostaje durante el invierno, colóquela en un lugar resguardado del viento fuerte y de la nieve. Lo ideal sería que se guardara en un garaje o cobertizo.

When Chamber No. 1
Is full. (Recommended: Not mor then 2/3)
Add New material
to Chamber No. 2.

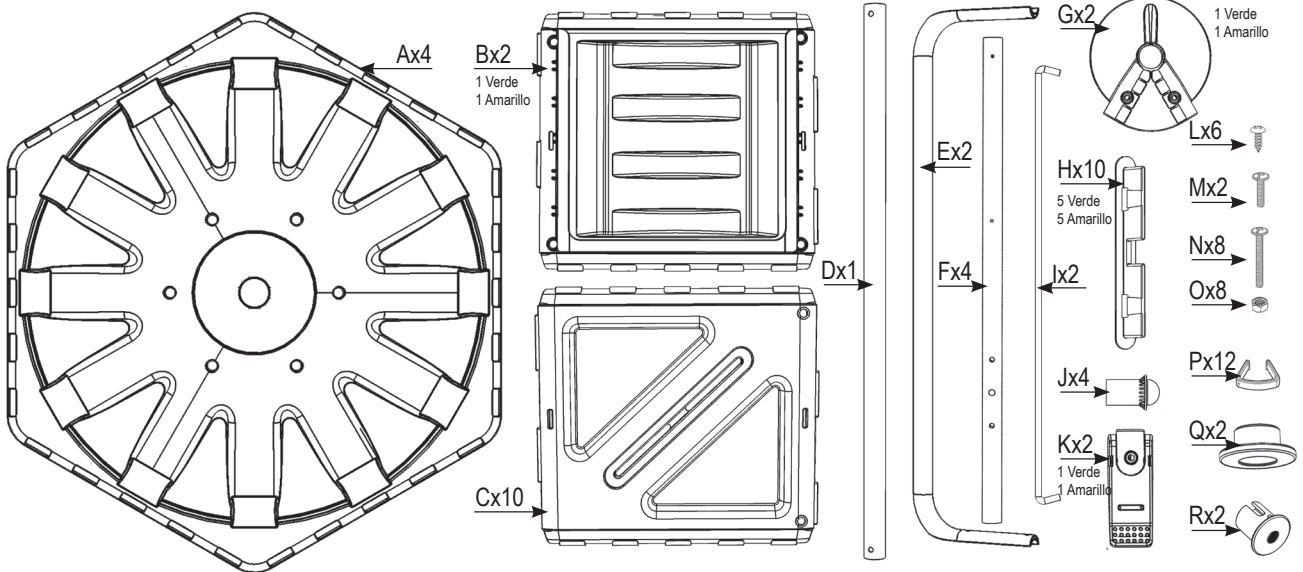


INSTRUCCIONES DE MONTAJE

Herramientas necesarias: Tenazas Destornillador Phillips



Mezcladora de Compostaje partes:



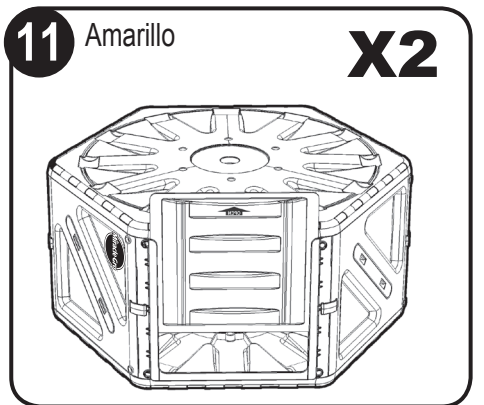
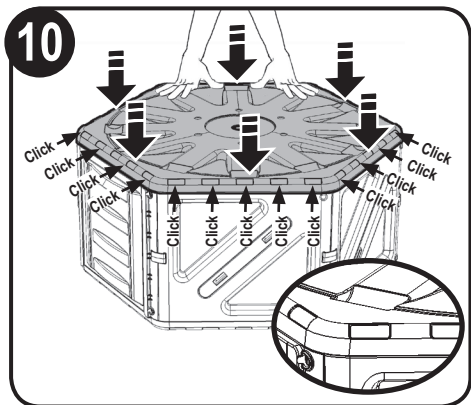
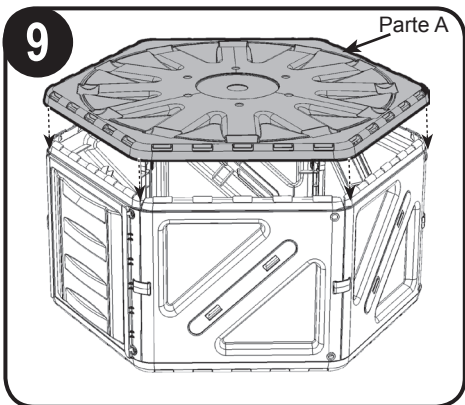
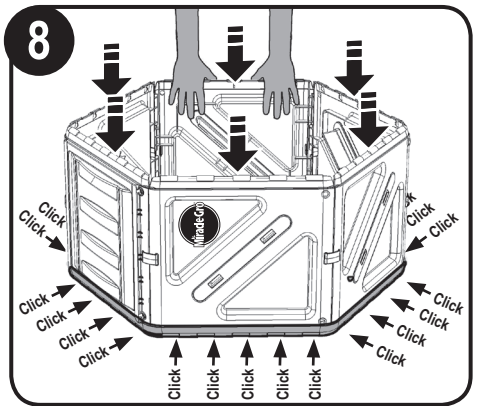
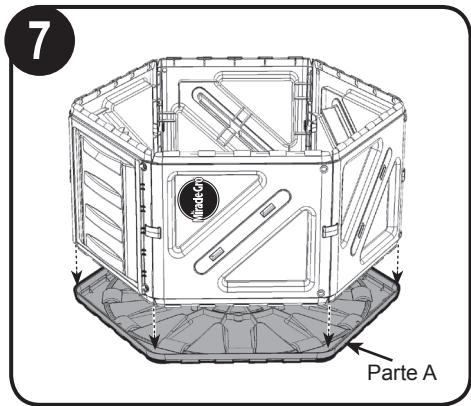
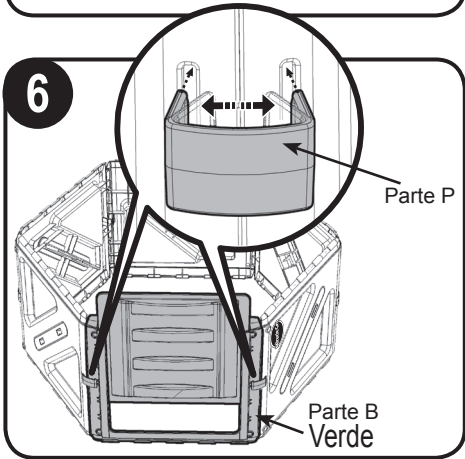
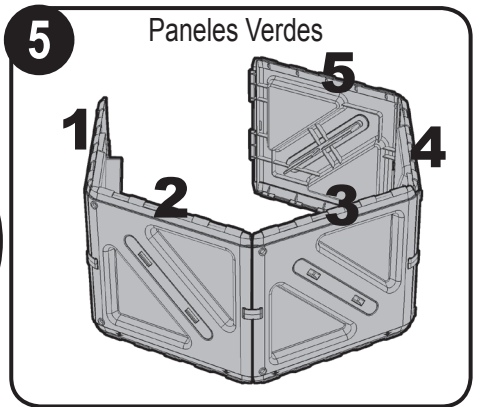
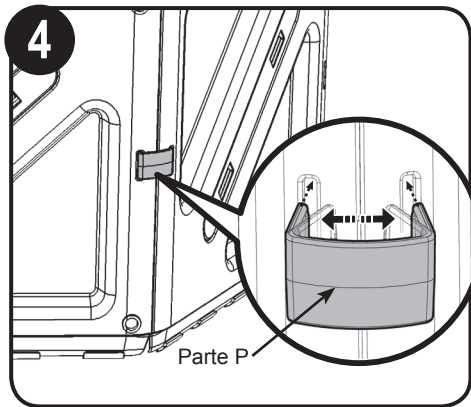
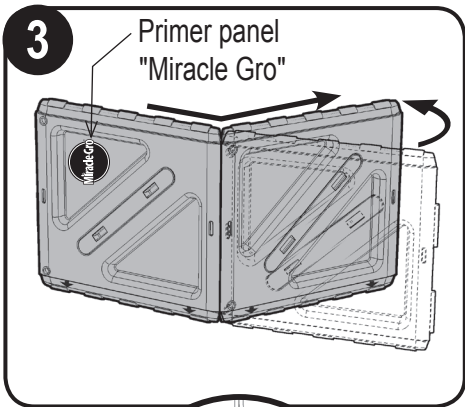
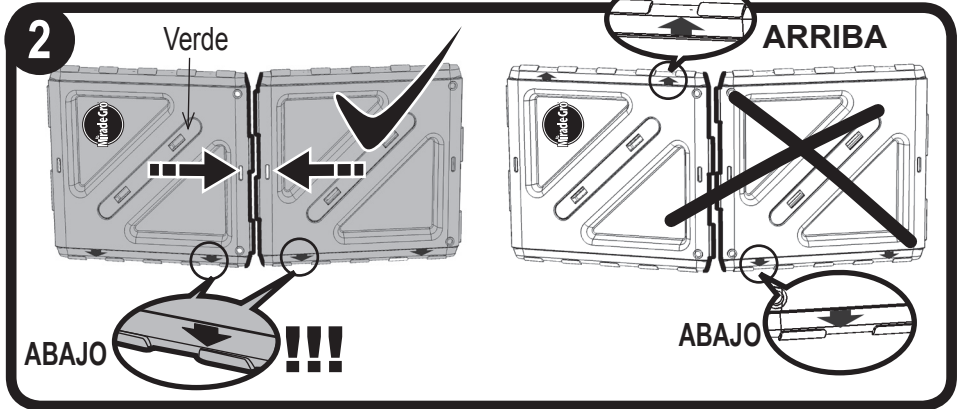
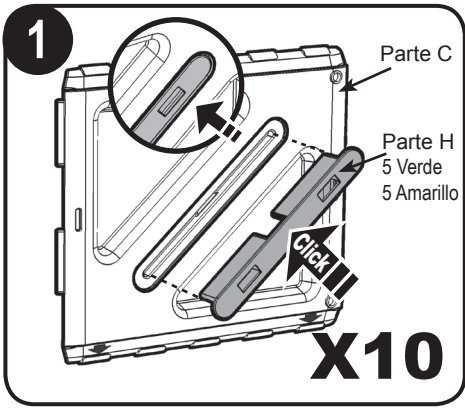


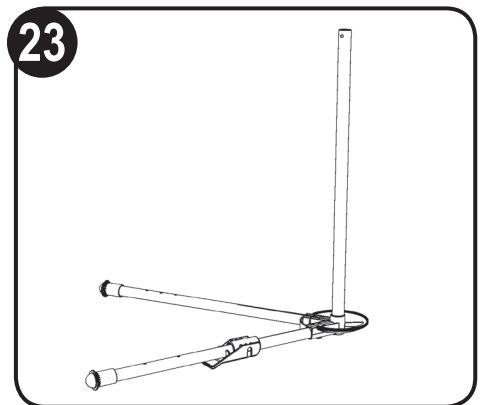
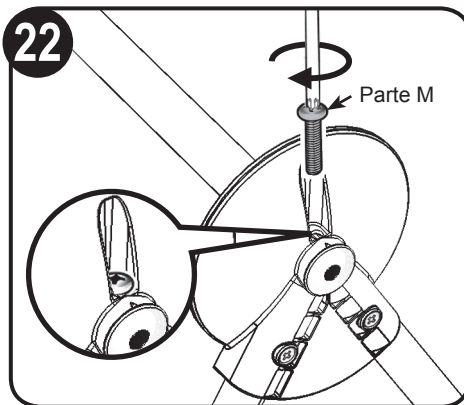
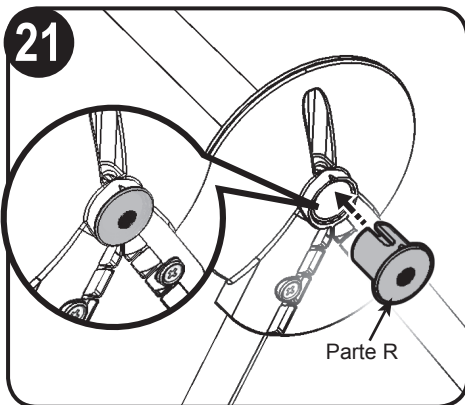
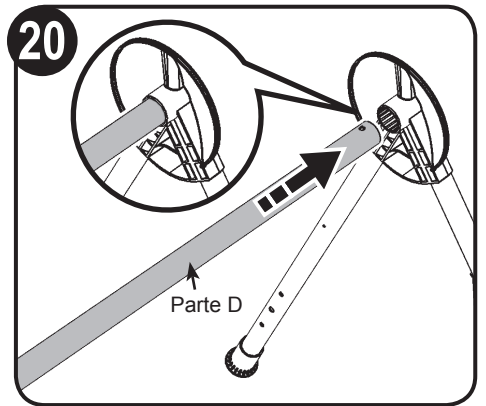
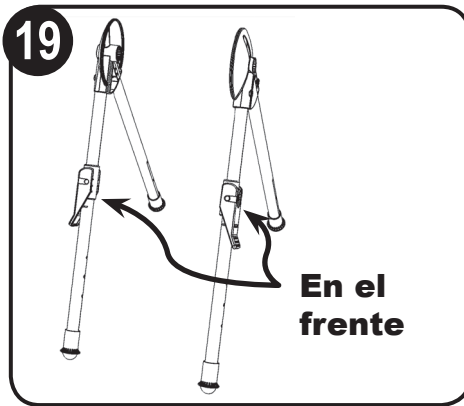
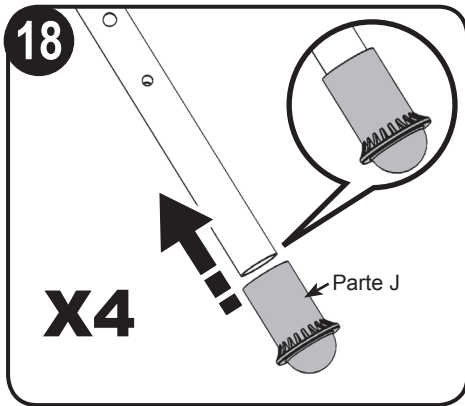
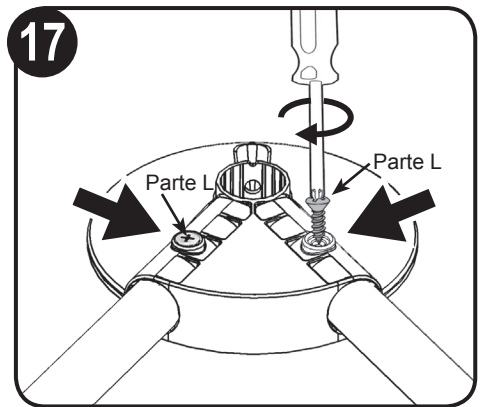
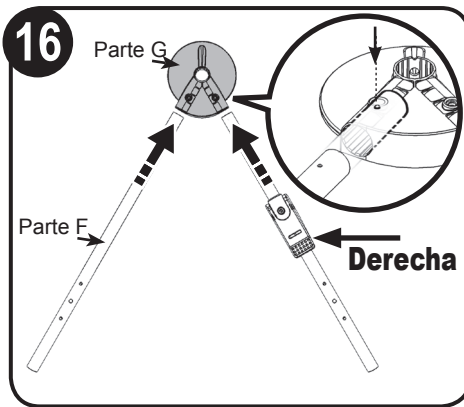
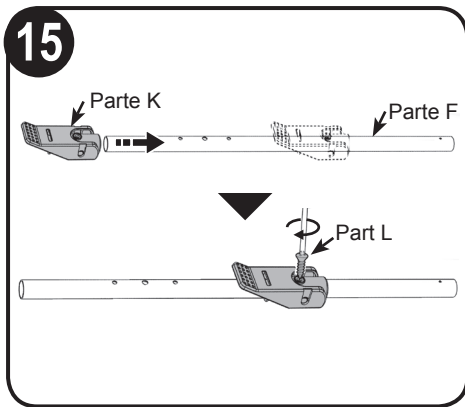
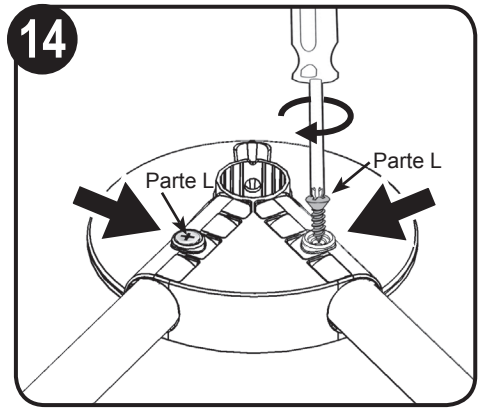
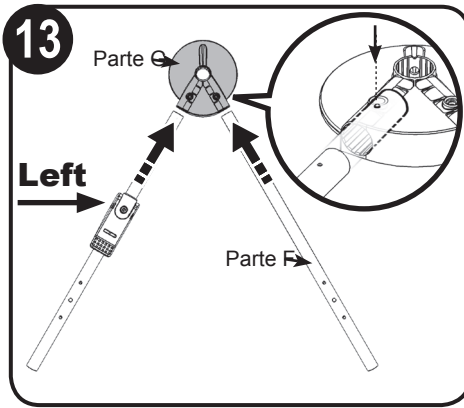
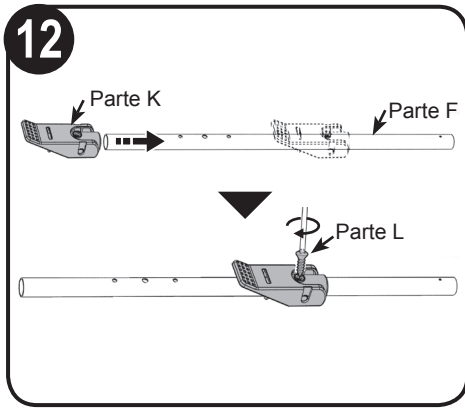
Instrucciones de Montaje

www.dfomer.com/Dual-Chamber-Composter-140L-Assembly



Questions? Call
720-584-0278







Instrucciones de Montaje
www.dfomer.com/Dual-Chamber-Composter-140L-Assembly

Questions? Call
720-584-0278

