

MAAX SUBMITTAL SPECIFICATIONS

SAX - KS

MODEL NUMBER 105823

DIMENSIONS: 60" x 32" x 25" Fiberglass



Vivez l'expérience

MAAX®

Enjoy the experience

STANDARD FEATURES

- 2 piece – Transports and installs easily
- Bathtub apron also available in 3 colors: Aqua, Platinum Grey, and Ruby
- 4-adjustable leveling legs – Adjusts and levels for ideal installation
- Faucet installation can be deck-mounted or floor-mounted
- Unique feature: maximized bathing well with comfortable high backrest

OPTIONS

- Cable-operated waste and overflow extendable
- Waste and overflow extendable
- Foam pillow with 2 suction pads
- Cable-operated waste and overflow extendable
- Waste and overflow

UNIQUE FEATURES

- Above-the-floor rough (AFR)
- 1 Tub - 2 Pieces

SYSTEMS

DOOR SELECTION

Combine with MAAX's complete shower door offering visit www.maax.com

CERTIFICATIONS

Maax products adhere to one or more of the following certifications:



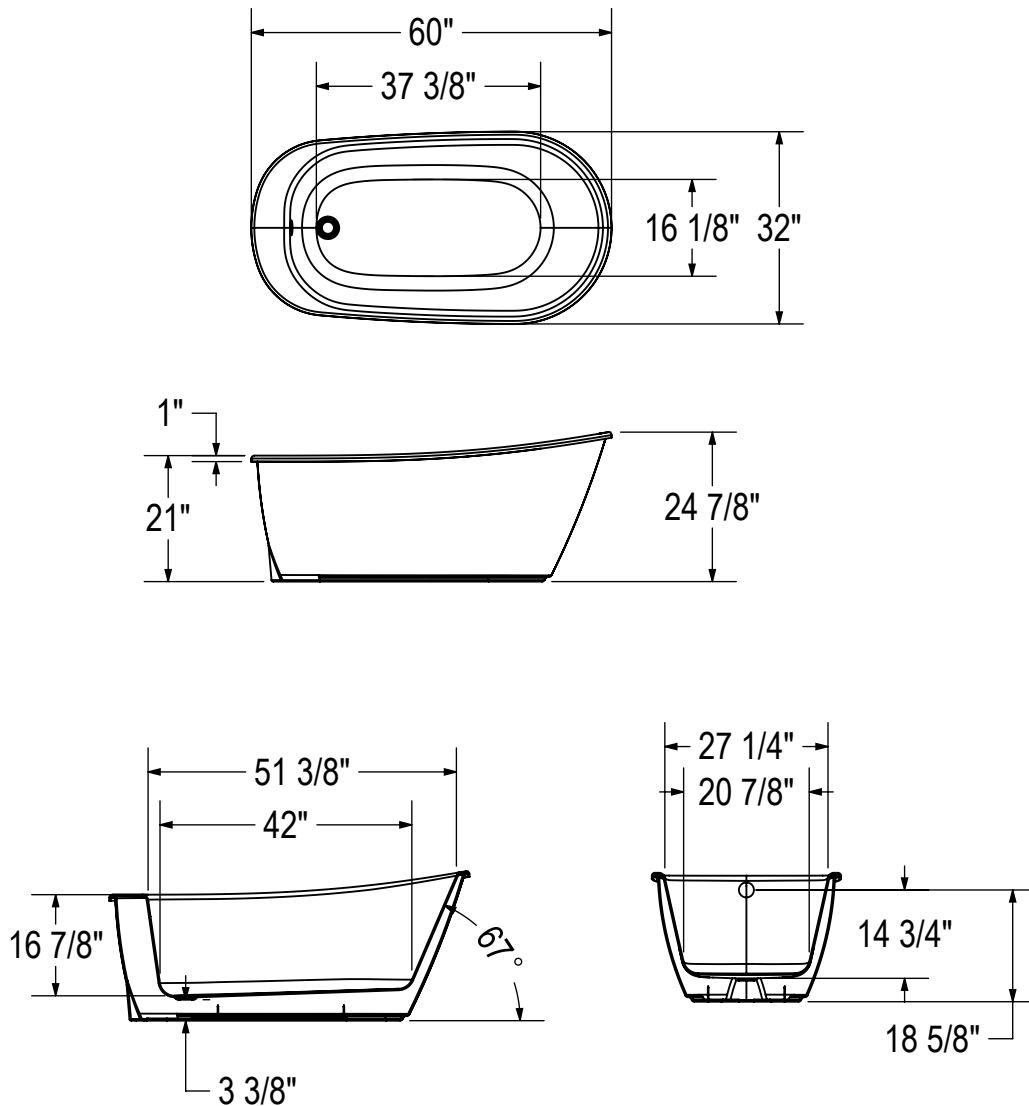
Project :
Contractor :
MAAX Representative : Tel :
Date :

MAAX SUBMITTAL SPECIFICATIONS

SAX - KS

MODEL NUMBER 105823

TECHNICAL DRAWINGS



All dimensions are approximate. Structure measurements must be verified against the unit to ensure proper fit.