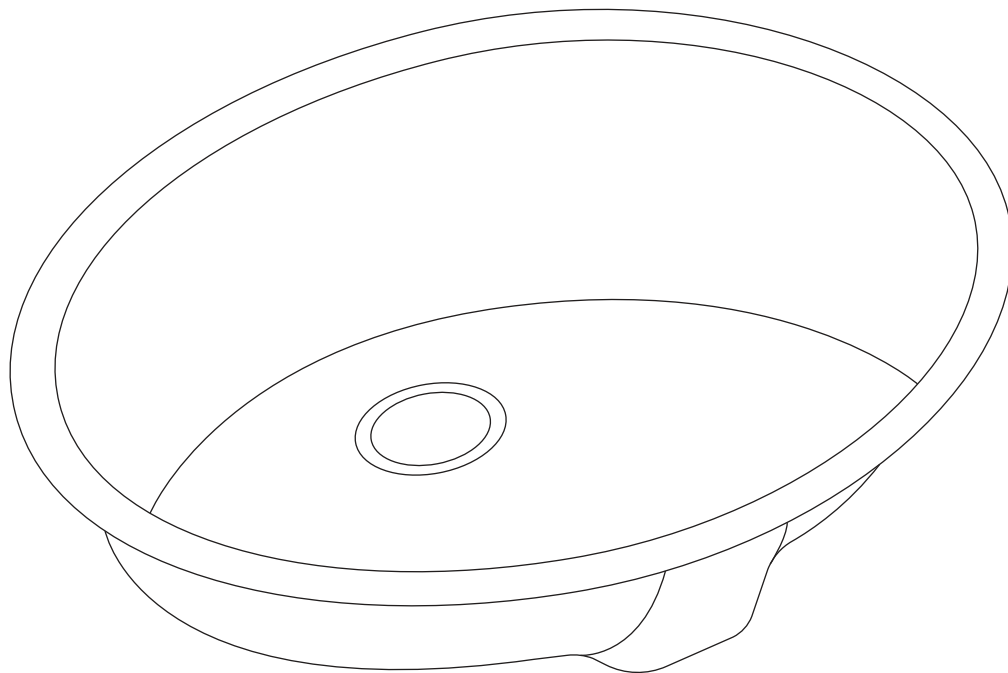


INSTALLATION INSTRUCTIONS

Swiss Madison[®]
well made forever

Ceramic Undermount Sink



Share your pictures for a feature
using **#SwissMadison**





Prior to Installation:

- Inspect sink to ensure no damages have occurred while in shipping.
- Use the cutout template if provided by Swiss Madison.
- Observe all plumbing and building codes in accordance with your state and local requirements.
- Additional floor and wall preparations may be necessary to avoid damage to the product.
- We recommend professional countertop installers. Customer is responsible for damage to countertop and/or sink during installation.
- All dimensions are nominal! Be sure to measure your sink prior to installation.

General Recommendations: Read installation and maintenance instructions thoroughly before installing the sink. Be sure to use proper tools and always wear proper personal safety accessories for your protection.

If you have any questions or concerns please contact us:

1-434-623-4766
info@swissmadison.com

Thank you for your purchase!

Thank you for purchasing a Swiss Madison Bathroom Sink.

We appreciate your business and know you will enjoy your sink for many years to come.

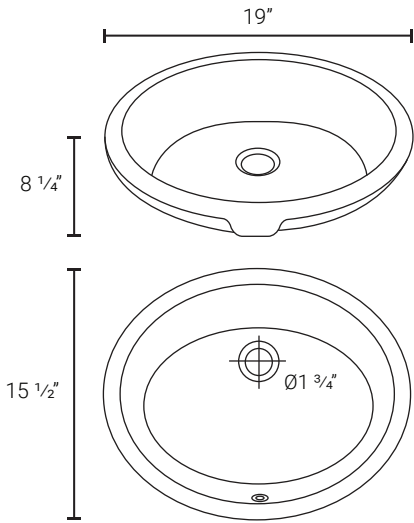
If you have any questions or require assistance we would be happy to help,
please contact us at 1-434-6234766 or info@swissmadison.com.

To learn more about our products, please visit:

www.swissmadison.com

Sincerely,

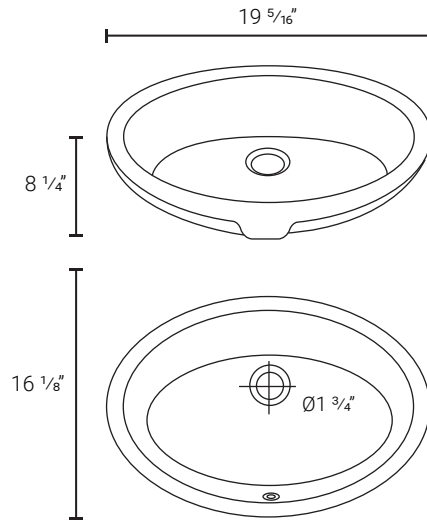
The Swiss Madison Team



SM-UM621

19" x 15 1/2" x 8 1/4"

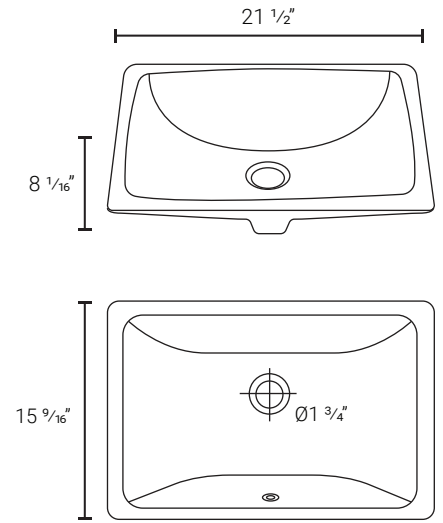
*Matching Drain: SM-PD23



SM-UM622

19 5/16" x 16 1/8" x 8 1/4"

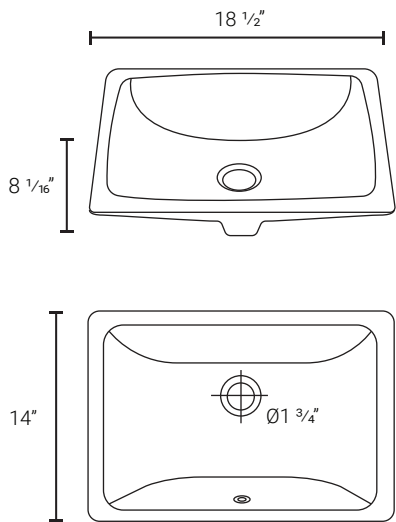
*Matching Drain: SM-PD23



SM-UM623

21 1/2" x 15 9/16" x 8 1/16"

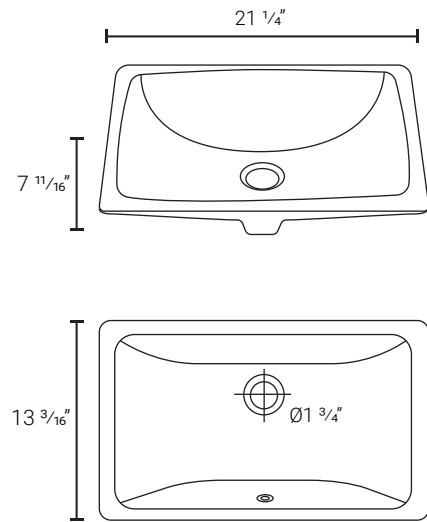
*Matching Drain: SM-PD23



SM-UM624

18 1/2" x 14" x 8 1/16"

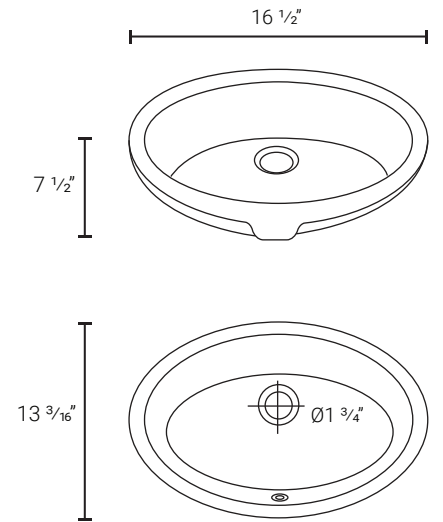
*Matching Drain: SM-PD23



SM-UM625

21 1/4" x 13 3/16" x 7 11/16"

*Matching Drain: SM-PD23



SM-UM629

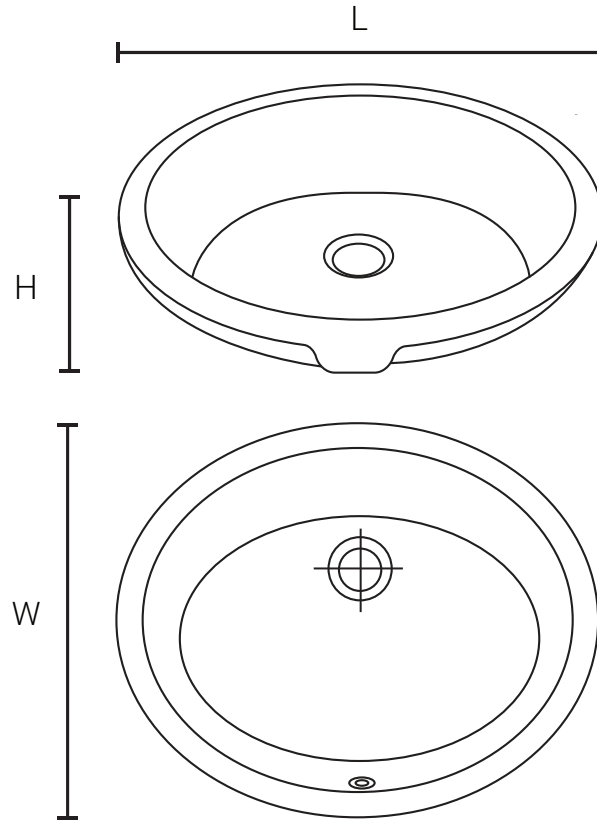
16 1/2" x 13 3/16" x 7 1/2"

*Matching Drain: SM-PD23

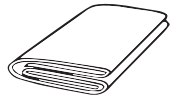
NOTE: Not all styles are the same size or shape.

NOTE: Drawings may not define contour of china and components.

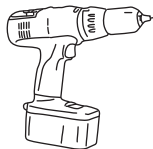
***Matching drains are not included, please contact us if you wish to purchase one.**



SUGGESTED TOOLS AND MATERIALS



Towel



Drill



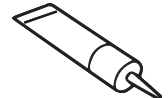
Adjustable Wrench



Jig Saw



Gloves



Liquid Nail



Safety Glasses



Pencil



Tape Measure

PARTS LIST

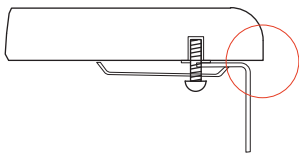
- Swiss Madison Sink
- Cutout Template (if provided)

NOTE: Specialized tools may be necessary to install Swiss Madison Ceramic Undermount sinks with countertop materials other than wood, marble, or granite.

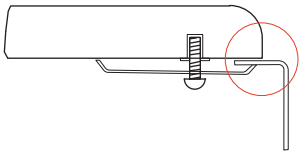
The step-by-step guidelines in the installation instructions are a general reference for installing a Swiss Madison Sink. Should there be any discrepancies, Swiss Madison cannot be held liable. It is recommended to install all Swiss Madison products by hiring a licensed professional

- ❗ 1. Read the complete instruction manual before beginning installation.
- 2. Confirm that your model will fit in intended location and plumbing fixtures are located where legally required before beginning installation.
- 3. Not all drawings on this manual are drawn to scale. Please refer to the model chart.
- 4. Two people are recommended to install and move this product.

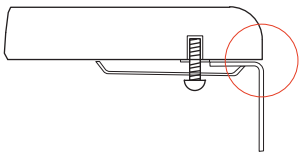
1. Determine Reveal Type



Negative: Counter edge extends past sink rim approximately 1/4" (Figure A)



Positive: Sink rim is exposed approximately 1/4" from edge of countertop (Figure B)



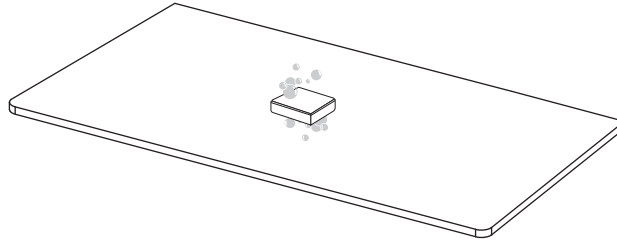
Flush: Sink edge is flush with countertop opening (Figure C)

NOTE: This manual instructs specifically for mounting a FLUSH reveal type. Make sure to consult your plumber about desired reveal type PRIOR to installation.

2. Clean Countertop

- Make sure to thoroughly clean the underside of the countertop and let it dry completely.

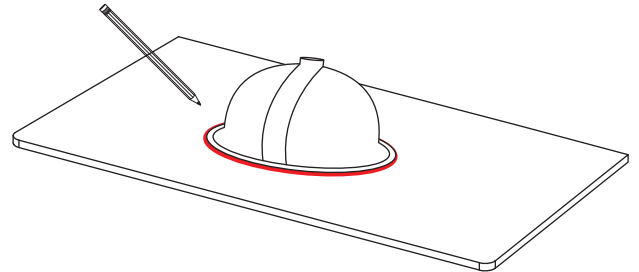
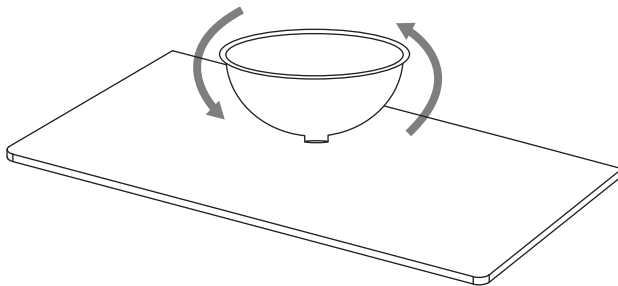
NOTE: The underside of counters tend to be rough and unfinished which makes it easy to hold debris. You want to make sure it's clean so nothing interferes with the bond between the adhesive and the countertop.



3. Position and Trace Sink

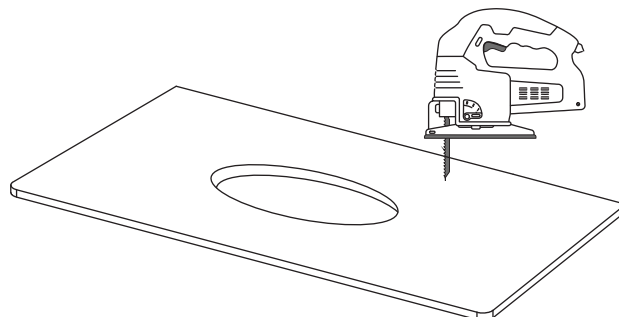
- Flip sink upside down on top of countertop in the desired location you want the sink to be.
- Trace the outline of the sink onto the countertop.

NOTE: Make sure clearance is suitable for back splash, faucet, and plumbing for the sink.



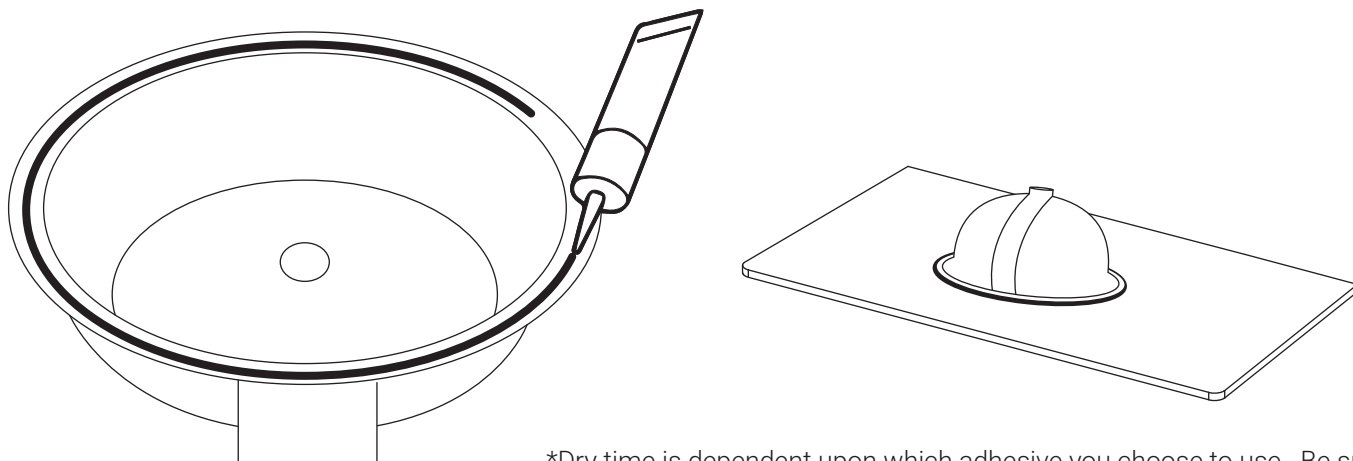
4. Cut Countertop

- Cut an opening in the countertop by carefully following the traced line.
- Please use the appropriate saw that best fits your countertop material.
- Professional should be consulted for cutting the countertop.



5. Affix Countertop

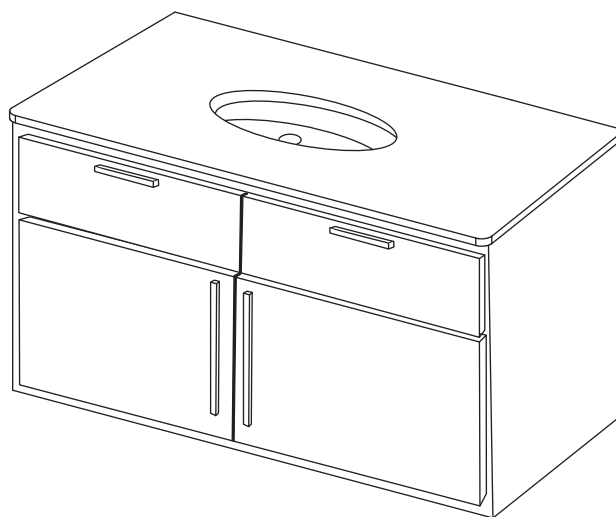
- Once again clean underside of the countertop and cutout area making sure area is free of defects.
- Apply liquid nail or adhesive of choice to the rim of the sink near the inside edge. Be careful not to miss or skip any area.
- Carefully lift sink squarely under countertop cutout. Press firmly on sink to form seal and seal sink. Immediately wipe excess sealant with a damp cloth. Be careful not to smear or spread sealant onto countertop or sink.



*Dry time is dependent upon which adhesive you choose to use. Be sure to check your adhesive instructions before use.

6. Installing Plumbing Fixtures

- Turn counter back over.
- Connect drain, trap to drain, and water supply connections to faucet according to manufacturer's instruction.
- Test run water into sink and check for leaks.



ONE YEAR LIMITED WARRANTY

Swiss Madison® products are made with quality materials and excellent craftsmanship to provide our customers with beautiful, durable, long-lasting products. Should there be any defects in materials or craftsmanship under regular use that are discovered within the first year of installation, Swiss Madison® will provide replacement parts at no charge, or at its discretion, replace any product or part of the product that is deemed defective, under normal installation, use, service or maintenance. This warranty applies only to the original purchaser. Proof of purchase will be required in the instance of a claim.

Swiss Madison® recommends all installations of Swiss Madison® products to be conducted by a licensed, professional plumber or contractor. Swiss Madison® will not be held responsible for any damage or product failure due to improper installation, misuse, or failure to utilize a licensed professional for installation. Swiss Madison® is not responsible for any installation or removal costs.

This One Year Limited Warranty Will Be Voided If:

- The installation recommendations were not followed by the installer
- The product has been moved from its initial place of installation
- The product has in any way been modified from its packaged state
- The product has been subjected to improper maintenance, abuse, misuse, excessive use of chemicals, accidents, or other damages, etc.

Swiss Madison® makes no implication that its products comply with any local building or plumbing codes. It is the consumer's responsibility and obligation to determine local code compliance prior to and during installation. This warranty extends only to the original purchaser and first consumer.

Swiss Madison® is not responsible for any special, incidental or consequential damages associated with the installation, replacement, return or use of the original purchaser's product. This includes, but is not limited to: freight costs, labor, travel time, lost profit, home damages and other contingent liabilities and costs (including, without limitation, costs associated with 'professionals' or 'experts', investigations, audits, analyses, attorneys and any other professional/hired services).

The Swiss Madison® warranty is a comprehensive and explicit limit of liability. All items not disclosed within the warranty are not addressable within the responsibility of Swiss Madison®. Certain states have variances regarding implied warranties; in those situations, we remain fully compliant.

**If you have any questions or concerns, please contact us directly at
1-434-MADISON (623-4766)**

⚠ WARNING: Contents of your order may contain sharp and possibly other harmful pieces and may cause hazard to children and adults. Swiss Madison® is not responsible in any way for personal damages.