

Vinyl Drywall 1/2" L-Trim

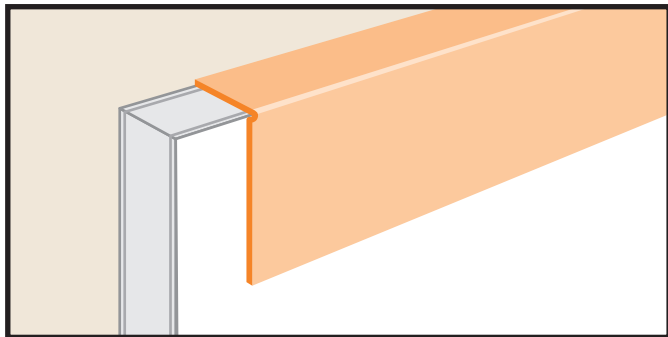
Practice installation in accordance with applicable ASTM standards and using prevalent industry standards.

Method 1: Stapling

1. For L-Trim, drywall does not need to be set back.
2. For doors, windows or special lengths, cut the trim to length and dry fit.
 - a) Prevent overlap of the mud flanges by snipping back.
 - b) Dry fit the trim.
3. Staple mud flange every 6-10" with 1/2" crown staples.
4. No primer is needed. Finish as usual.
5. For cold weather winter applications, please refer to the installation recommendations in the Gypsum Association GA-220-06 of 40°F or warmer.

Method 2: Spray Adhesive

1. Follow steps 1 and 2 above.
2. Put a coat of spray adhesive on the back of the trim and then on the drywall.
 - a) Immediately apply trim to drywall and position in place.
 - b) If the adhesive dries too long, it will be hard to reposition.
 - c) At some point the adhesive will lose tackiness and will not bond. If this happens, reapply adhesive to both surfaces.
3. The rate at which the adhesive dries varies depending on heat and humidity. Test in your conditions.
4. Use handle of your taping knife or installation tool to apply pressure along the mud flange. Bond strength is greatly enhanced with this crucial step.
5. Staple mud flange to assist bonding between bead and wallboard with 1/2" crown staples.
6. Pressure the mud flanges again (see step 4).
7. No primer is needed. Finish as usual.
8. For cold weather winter applications, please refer to the installation recommendations in the Gypsum Association GA-220-06 of 50°F or warmer.



"L" Trim is used where drywall abuts suspended ceilings, beams, plaster, masonry and concrete walls.