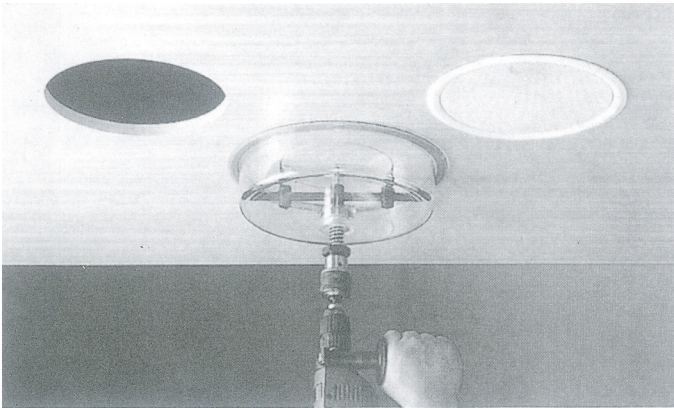




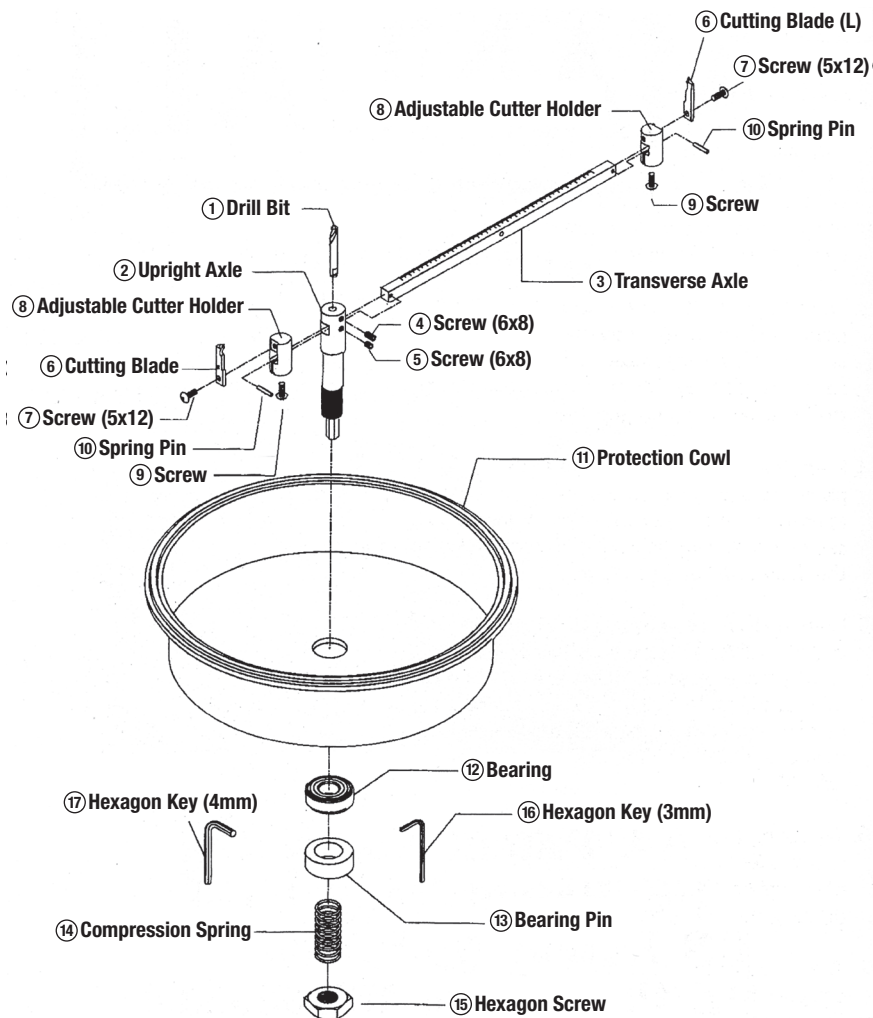
JONARD TOOLS®

MANUAL



AHC-10 ADJUSTABLE HOLE CUTTER

KNOW YOUR ADJUSTABLE RADIUS HOLE CUTTER



INTERNAL COMPONENTS ASSEMBLY INSTRUCTIONS

1. Insert the drill bit (1) into the upright axle (2) as shown in the illustration and secure it in place by tightening the screw (4) into the upper screw hole of the upright axle (2) using the hexagon key (16) supplied.

2. Insert the transverse axle (3) into the square aperture of the upright axle (2) as shown in the illustration. Align the center hole of the transverse axle (3) with the screw hole of the upright axle (2) and secure it in place by tightening the screw (5) into the bottom screw hole using the hexagon key (16) supplied.

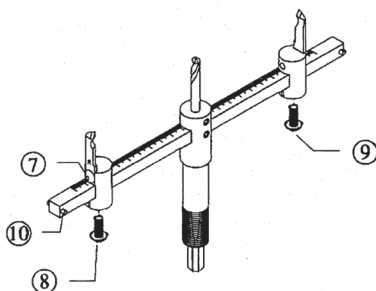
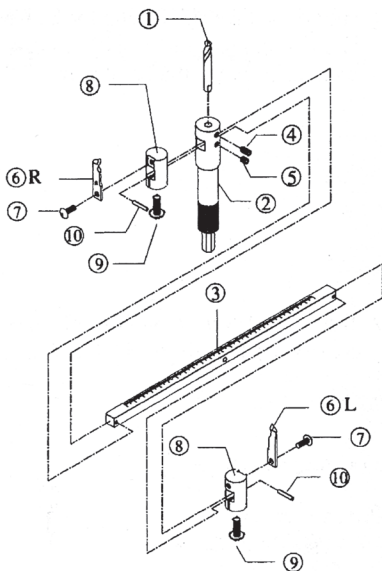
3. Insert the right (R) cutting blade (6) with its R plane surface facing outwards, into the upper aperture of the adjustable cutter holder (8) and secure it in place by tightening the screw (7) using the hexagon key (16) supplied.

4. Insert the left (L) cutting blade (6) with its L plane surface facing outwards, into the upper aperture of the adjustable cutter holder (8) and secure it in place by tightening the screw (7) using the hexagon key (16) supplied.

5. Insert both of the right and left hand adjustable cutter holders (8) fitted with the right and left cutting blades respectively into the right and left sides of the transverse axle (3) and secure them by inserting the spring pins (10) respectively into the right and left side pinholes of the transverse axle (3).

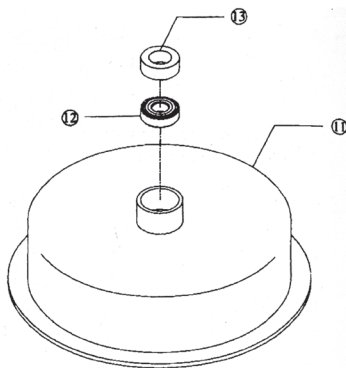
6. Tightening the screws (9) respectively into the screw holes located at the bottom side of both of the right and left side adjustable cutter holders (8) using the hexagon key (17) supplied.

7. The completed assembly of the internal components should resemble the illustration shown opposite.

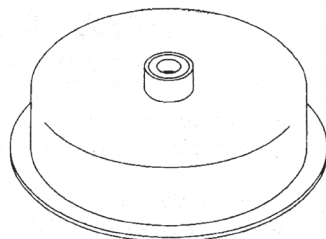


EXTERNAL COMPONENTS ASSEMBLY INSTRUCTIONS

1. Secure the bearing (12) and the bearing pin (13) into the aperture of the protection cowl (11) in place as shown in the illustration.

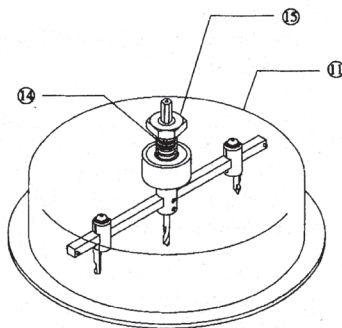


2. The completed assembly of the external components should resemble the illustration shown opposite.



HOLE CUTTER ASSEMBLY INSTRUCTIONS

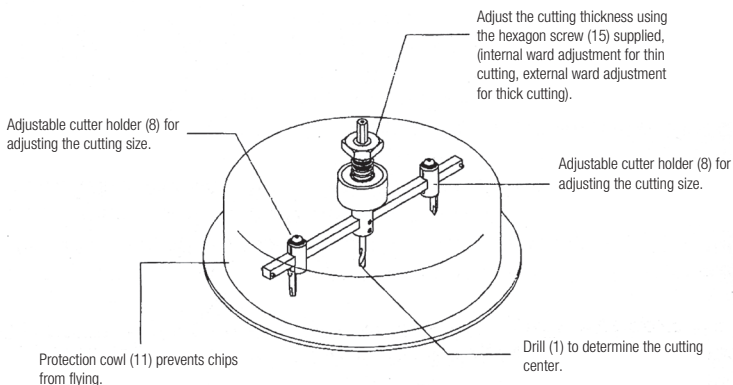
1. Insert the internal components assembly with the hexagonal end part of the upright axle (2) facing upwards into the bearing bore located in the internal side of the protection cowl (11) and secure it in place with the compression spring using the hexagon screw (15).



2. The completed hole cutter assembly should resemble the illustration shown opposite.

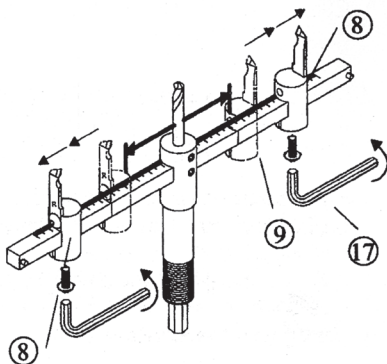
HOLE CUTTER ASSEMBLY

PART FUNCTION



HOW TO MEASURE SIZES

1. The topside of the transverse axle (3) is graduated in centimeters and inches.
2. The graduation on both the right and left topside started from the center of the drill (1) is the same.
3. The graduation on both of the right and left topside of the transverse axle (3) is for adjusting to the diameter required.
4. Prior to an adjustment, loosen the screws (9) located at the bottom of the adjustable cutter holders (8).
5. Align the cutting size by adjusting both of the left and right aide adjustable cutting holders (8) with their inside plane surfaces aligning with the same graduation to the diameter required, and secure them in place with the screws (9) using the hexagon key (17) supplied.
6. The completed size measuring assembly should resemble the illustration shown opposite.



CUTTING INSTRUCTIONS

1. Adjust the cutting size and thickness according to previous instruction.
2. Install the hole cutter into the drill chuck and secure it firmly.
3. Align the drill bit with the center point of the hole to be cut, then slowly start the drill by turning on the power of the drill.
4. In cases of ceiling cutting, press the drill slowly upwards depending on the revolution speed of the drill. Do not force the cutter by pressing firmly on it. After cutting is finished, always disconnect the drill from the power supply before removing or adjusting the hole cutter assembly.
5. In cases of cutting on the ground, the rear side of the cutting surface should be raised off the floor, press the drill slowly downwards depending on the revolution speed of the drill. Do not force the cutter by pressing firmly on it. After cutting is finished, always disconnect the drill from the power supply before removing or adjusting the hole cutter assembly.
6. To prolong the service life of this tool, always operate it correctly and clean it after each use with a lightly oiled cloth.

CUTTING INFORMATION

1. Cuts plywood, plasterboard, acrylic sheets and silicon sheets up to a maximum depths of 27mm (1.1").
2. Drilling on the ground and using the same center point blade on the front and reverse side of the workpiece, allows a maximum cutting depth of up to 52mm (2.05").
3. Maximum cutting diameter: 254mm (10")
Minimum cutting diameter: 55mm (2.2")

FEATURES

1. Use the protection cowl (11) and the drill (1) to stabilize the cutting point.
2. The protection cowl (11) is injection molded by PC material into one integral part, robust and prevents chips from flying.
3. Compatible with various kinds of drills in different revolution speeds. Cuts safely and rapidly.

WARNINGS

1. The drill, cutting blade, cutter holders and the transverse axle must be fixed tightly and securely with screws while cutting.
2. Adjust the cutting size by confirming that the inside plane surfaces of both the right and left side cutter holders (8) must be aligned with the same graduation and both of the right and left screws (9) must be fixed tightly and securely before you start cutting.
3. If there is any noise or vibration during operation, check whether the screws have loosened.
4. After operation, the bearing (12) and upright axle (2) must be cleaned.



MADE FOR LIFE®