



## Mechanical Controlled Mini Window Air Conditioner

Acondicionador de Aire de Ventana Compacto y Controlado Electronico

### User's Guide

Manual del Usuario

Model# IWA-05KM15 - 5000 Btu

Model# IWA-06KM15 - 6000 Btu

## TABLE OF CONTENTS

Introduction .....	2
What's In the Box .....	3
Warnings .....	4
Cautions .....	5
Important Safety Instructions .....	6
Installation Instructions .....	7
Operation of Power Cord Current Device.....	11
Air Conditioner Features and Operation Instructions .....	11
Care and Cleaning.....	16
Additional Things You Should Know .....	17
Troubleshooting Tips .....	19

ESTE MANUAL ES TAMBIÉN DISPONIBLE EN ESPAÑOL Y SE PUEDE DESCARGAR EN:

[WWW.IMPECCA.COM](http://WWW.IMPECCA.COM)

THIS MANUAL IS ALSO AVAILABLE IN SPANISH AND CAN BE DOWNLOADED AT:

[WWW.IMPECCA.COM](http://WWW.IMPECCA.COM)

## INTRODUCTION





Congratulations on your purchase of the IMPECCA™ Mechanical Controlled Compact Window Air Conditioner. Before using this product, it is recommended that you familiarize yourself with the features, functions, and operating procedures described in this manual. Inside you will find many helpful hints on how to use and maintain your air conditioner properly. Just a little preventive care on your part can save you a great deal of time and money over the lifespan of your air conditioner. You will find many answers to common problems in the chart of troubleshooting tips. If you review our chart of Troubleshooting Tips first, you may not need to call for service at all.

### Features at a Glance

- Whisper Quiet Operation
- Eco-Friendly Refrigerant
- 2 cooling speeds / 2 fan speeds

### PRECAUTIONS

To prevent injury and/or property damage, please familiarize yourself with the following instructions and safety precaution. Failure to comply with the instructions and cautions mentioned in this manual may cause harm or damage. The seriousness is classified by the following indications:

 <b>WARNING</b>	This symbol indicates the possibility of serious injury or death.
 <b>CAUTION</b>	This symbol indicates the possibility of injury and/or damage to property.
	Never do this.
	Always do this.

### IMPORTANT:

- Always contact an authorized service technician for repair or maintenance of this unit.
- This air conditioner is not intended for use by young children or infirm persons without supervision.
- Young children should be advised not to operate the air conditioner.
- If the power cord is to be replaced, replacement work should only be performed by certified or authorized technicians.
- All electrical work must be performed in accordance with the national wiring standards and should only be performed by authorized personnel.

Due to slight modifications in production, the instructions, features, and/or descriptions found in this manual might be slightly different from your product.

## WHAT'S IN THE BOX




1

1. AC Unit
2. User's Guide
3. Window Installation Kit (Not shown)

2



## WARNINGS

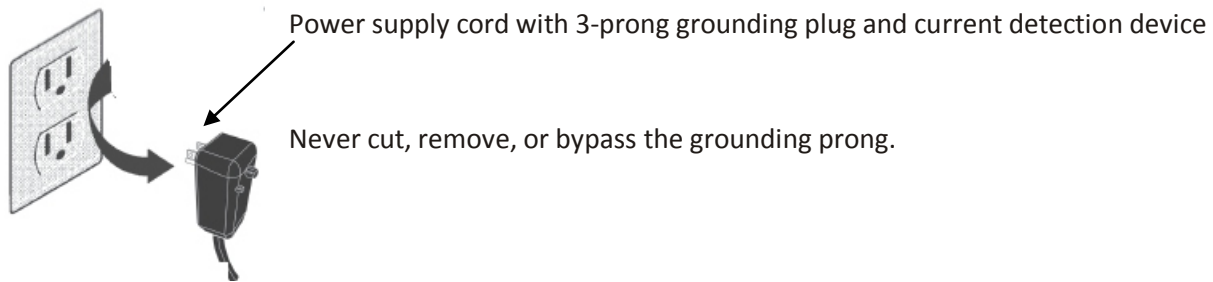
 <b>WARNING</b>		
<b>ⓘ Plug in power plug properly.</b>	<b>⊘ Do not start or stop the unit by inserting or pulling out the power plug.</b>	<b>⊘ Do not use a damaged or unspecified power cord.</b>
Failure to do so may cause electric shock or fire due to excess heat generation.	Doing so may cause electric shock or fire due to surges.	If the power cord is damaged, it must be replaced by the manufacturer or an authorized service center or a similarly qualified person in order to avoid a hazard.
<b>ⓘ Do not modify power cord length or share the outlet with other appliances.</b>	<b>⊘ Never attempt to handle the power cord or operate the unit with wet hands or in a damp environment.</b>	<b>⊘ Never store air conditioner upside-down or on its side.</b>
Failure to do so may cause electric shock or fire due to excess heat generation.	Serious or deadly injury may occur due to shock. Equipment may be damaged due to short-circuiting.	Will cause problems with compressor and may lead to permanent damage.
<b>ⓘ Always ensure effective grounding of the power plug.</b>	<b>⊘ Do not allow water to run into internal electric parts.</b>	<b>⊘ Always install circuit breaker and a dedicated power circuit.</b>
Incorrect grounding may cause electric shock.	Doing so may cause failure of the unit and/or electric shock.	Incorrect installation may cause fire and/or electric shock.
<b>ⓘ Unplug the unit if you notice strange sounds, smells, or smoke coming from it.</b>	<b>⊘ Do not use the socket if it is loose or damaged.</b>	<b>⊘ Do not open the unit during operation.</b>
Doing so may cause fire and/or electric shock.	Doing so may cause fire and/or electric shock.	Doing so may cause electric shock.
<b>ⓘ Keep firearms and or explosives away from the unit.</b>	<b>⊘ Do not use the power cord close to heating appliances.</b>	<b>⊘ Do not use the power cord near flammable gas or combustible liquids such as benzene, thinner, gasoline, etc.</b>
Fire and/or explosion may occur due to excessive heat.	<b>Fire may occur due to excessive heat.</b>	<b>Fire and/or explosion may occur due to exposure to excessive heat.</b>
<b>ⓘ Ventilate room before operating air conditioner if there is a gas leakage from another appliance.</b>	<b>⊘ Do not disassemble or modify unit.</b>	
Failure to ventilate room may cause explosion or fire.	<b>Doing so may cause failure and/or electric shock.</b>	

## CAUTIONS

 <b>CAUTION</b>		
<b>⊘</b> When the air filter is to be removed, do not touch the metal parts of the unit.	<b>⊘</b> Do not clean the air conditioner with water.	<b>ⓘ</b> Ventilate the room well when used together with a stove, etc.
Injury may occur.	Water may enter the unit and degrade the insulation. Electric shock may occur.	Failure to do so may result in an oxygen shortage.
<b>ⓘ</b> When the unit is to be cleaned, switch off the unit, unplug the unit or turn off the circuit breaker.	<b>⊘</b> Do not direct airflow directly at room occupants, pets or plants.	<b>⊘</b> Do not place obstacles around air-inlets or inside of air-outlet.
Failure to do so may cause electric shock or fire due to excess heat generation.	Continued exposure to direct airflow can cause damage to health due to very cold air.	Doing so may cause failure of appliance and/or fire due to overheating.
<b>ⓘ</b> Stop operation of this unit during storms or hurricanes.	<b>ⓘ</b> When removing the plug from an electrical outlet, power down the unit first and do not pull by the cord.	<b>ⓘ</b> Always turn off the main power switch when not using the unit for extended periods of time.
Failure to do so may result in damage as water may seep in or electrical overload may occur.	Failure to turn off unit first may result in shock.	Doing so will help preserve the lifespan of this unit.
<b>ⓘ</b> Ensure that the installation bracket is not damaged due to prolonged exposure to outdoor elements.	<b>ⓘ</b> Always insert the filters securely. Clean filter routinely.	<b>⊘</b> Do not use strong detergents, waxes, or thinners to clean. Use a soft cloth instead.
If the bracket is damaged, the unit may not be supported properly and could fall.	Operation without filters may cause failure. Dirty or clogged filters will reduce efficiency and performance.	Appearance may be altered due to color change or deterioration of the surface.
<b>ⓘ</b> Do not place heavy objects on power cord. Always ensure that the cord is not compressed.	<b>ⓘ</b> Do not drink or allow pets to drink water drained from the air conditioner.	<b>⊘</b> Always use caution when unpacking and installing.
Fire and/or electric shock may occur.	<b>Water that is discharged from the air conditioner contains harmful contaminants that could cause illness or fatality.</b>	<b>Sharp edges could cause injury.</b>
<b>ⓘ</b> If water enters the unit, turn off unit, switch off the circuit breaker, and unplug.		
Contact a qualified service technician. Do not operate again until the unit has been services or inspected.		

## IMPORTANT SAFETY INSTRUCTIONS

The power supply cord with this air conditioner contains a current detection device designed to reduce the risk of fire. Please refer to the "Operation of Current Device" section for more details. In the event that the power supply cord is damaged, it cannot be repaired. It must be replaced with a new cord.



### Electrical Information

Be sure the electrical service is adequate for the model you have chosen. This information can be found on the serial plate, which is located on the side of the cabinet and behind the grille.

Be sure the air conditioner is properly grounded. To minimize shock and fire hazards, proper grounding is important. The power cord is equipped with a three-prong grounding plug for protection against shock hazards. Do not remove any of the prongs from the power cord.

Your air conditioner must be used in a properly grounded wall receptacle. If the wall receptacle you intend to use is not adequately grounded or protected by a time delay fuse or circuit breaker, have a qualified electrician install the proper receptacle.

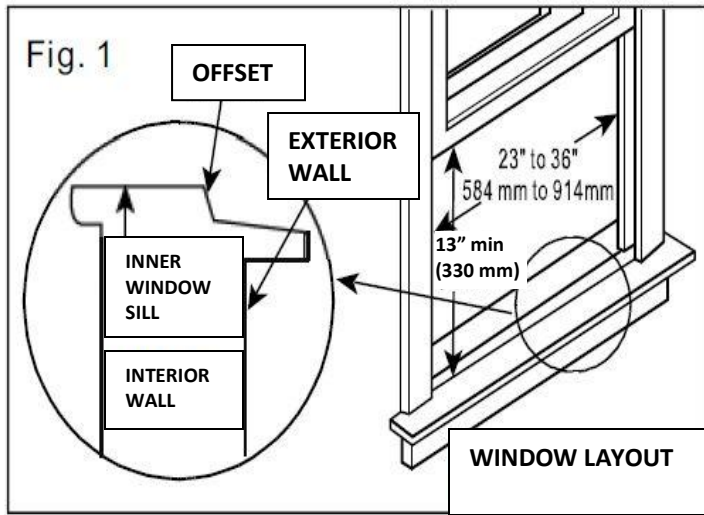
Ensure the receptacle will be accessible before installing the unit.

Do not run air conditioner without side protective cover in place. This could result in mechanical damage within the air conditioner.

**Do not use an extension cord or an adapter plug.**

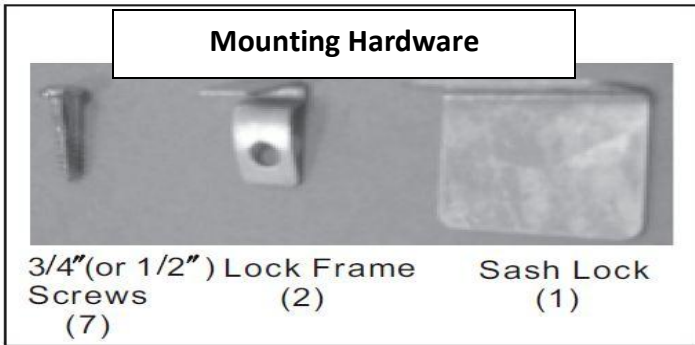
## INSTALLATION INSTRUCTIONS

Your air conditioner is designed to install in standard double hung windows with opening widths of 23 to 36 inches (584mm to 914mm) (See Figure 1).



Lower sash must open sufficiently to allow a clear vertical opening of 13 inches (330mm). Side louvers and the rear of the AC must have clear air space to allow enough airflow through the condenser, for heat removal. The rear of the unit must be outdoors, not inside a building or garage.

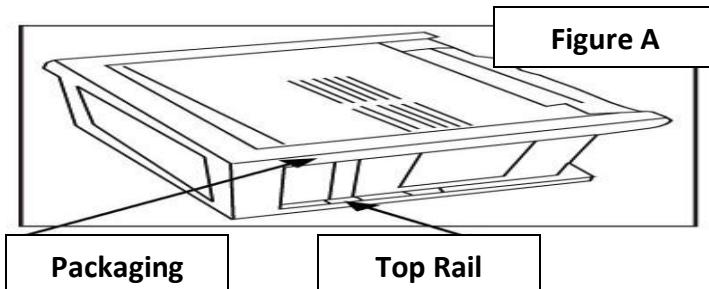
Note: Save original carton and these installation instructions for future reference. The carton is the best way to store the unit during winter (or when the unit will not be used for an extended period of time). It may also be necessary if unit needs to be sent in to a service center for repair/replacement.



### TOOLS NEEDED:

Phillips Screw Driver, Drill (if pilot holes are needed)

**Caution:** When handling unit, be careful to avoid cuts from sharp metal edges and aluminum fins on front and rear coils.

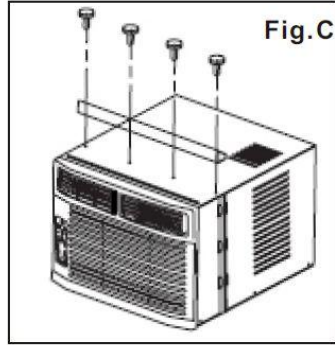
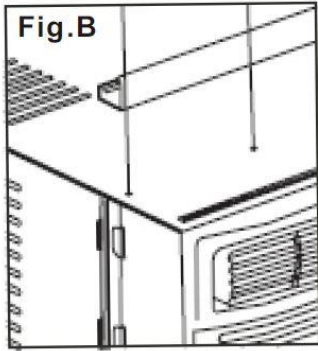


### TOOLS NEEDED: Phillips Screw Driver

1: Remove the air conditioner from the carton and place on a flat surface.

2: Remove top rail from the rear of the packaging material as shown in Figure A.





3: Align the hole in the top rail with those in the top of the unit as shown in Figure B.

4: Secure the top rail to the unit with the 3/8" screws as shown in Figure C.

Note: For safety reasons, all four (4) screws **MUST** be securely fastened.

## HOW TO INSTALL

Note: Top rail and Sliding Panels at each side are offset to provide the proper pitch to the rear of the unit (5/16"). This is necessary for proper condensed water utilization and drainage. If you are not using the Side Panels for any reason, this pitch to the rear must be maintained.

1. Place unit on the floor, a bench, or a table. There is a Left and Right Window Filler Panel – be sure to use the proper panel for each side. When installed, the flange for securing the panel in place to the windowsill will be facing into the room.



Hold the accordion panel in one hand and gently pull back the center to free the open end. See Figure 2



Slide the free end of the panel into the cabinet as shown in Figure 3A, 3B, and 3C. Slide the panel down. Be sure to leave enough space to slip the top and bottom of the frame into the rails on the cabinet.



FIG.3C



**FIGURE 4**



Once the panel has been installed on the side of the cabinet, make sure it sits securely inside the frame channel by making slight adjustments. Slide the top and bottom ends of the frame into the top and bottom rails of the cabinet. Figure 4

Note: If storm window blocks AC, see Figure 13

**2.** Keep a firm grip on the air conditioner, and carefully place the unit into the window opening so that the bottom of the air conditioner frame is against the windowsill (See Fig. 5). Carefully close the window behind the top rail of the unit.



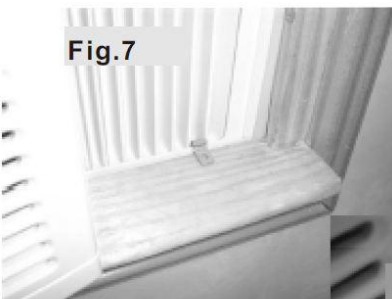
**3.** Extend the side panels out against the window frame (See Fig. 6).



**4.** Place the frame lock between the frame extensions and the windowsill (as shown in Fig. 7).

Drive  $\frac{3}{4}$ " (19mm) or  $\frac{1}{2}$ " (13mm) locking screws through the frame lock and into the sill ( See Fig. 8).

Note: To prevent windowsill from splitting, drill  $\frac{1}{8}$ " (3mm) pilot holes before driving screws.



5. Drive ½" (13mm) locking screws through frame holes into window sash (See Fig. 9 and Fig. 10).

Fig. 9



Fig.10

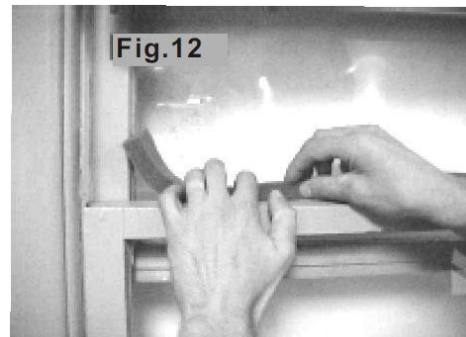


6. To secure lower sash in place, attach right angle sash lock with ¾" (19mm) or ½" (13mm) screw as Shown. (See Fig.11).

Fig. 11



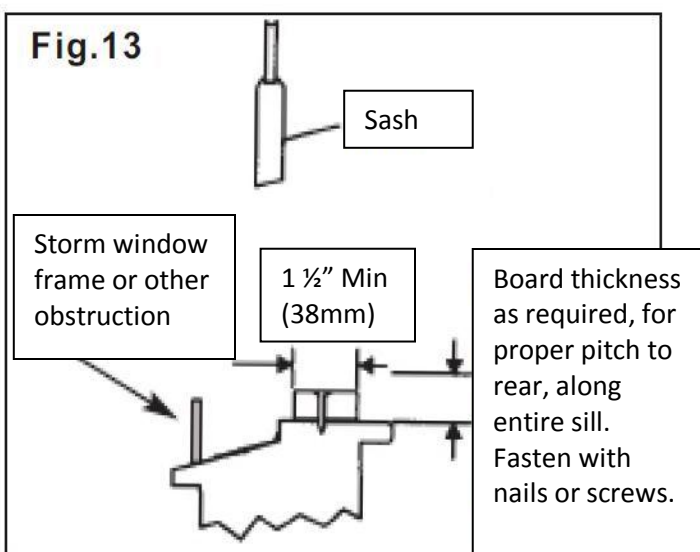
7. Cut foam seal to size and insert in the space between the upper and lower sashes (See Fig. 12) .



### **If A/C is blocked by storm window**

Add wood as shown in Fig. 13, or remove storm window before air conditioner is installed.

If storm window frame must remain in place, be sure the drain holes or slots are not caulked or painted shut. Accumulated rainwater or condensation must be allowed to drain out.



### **Removing AC from Window**

- Turn A/C off and disconnect power cord.
- Remove sash seal from between windows and unscrew safety lock.
- Remove screws installed through frame and frame lock.
- Close (slide) side panels into frame.
- Keeping a firm grip on air conditioner, raise sash and carefully "rock" air conditioner backward to drain any condensed water in the base of the unit. Be careful not to spill any remaining water while lifting unit from the window.

## OPERATION OF POWER CORD CIRCUIT BREAKER

The power supply cord contains a current device/circuit breaker that senses damage to the power cord. To test your power supply cord do the following:

1. Plug in the Air Conditioner.
2. The power supply cord will have two buttons on the plug head. Press the TEST button, you will notice a click as the RESET button pops out.
3. Press the RESET button, again you will notice a click as the button engages.
4. The power supply cord is now supplying electricity to the unit. (On some models this it also indicated by a light on the plug head.)

### NOTES:

- Do not use the current device to turn the unit on or off.
- Always make sure the RESET button is pushed in for correct operation.
- The power supply must be replaced if it fails reset when either the TEST button is pushed, or if it cannot be reset. A new one can be obtained by contacting technical support.
- If power supply cord is damaged, it cannot be repaired. It MUST be replaced by one obtained from the product manufacturer.

## AIR CONDITIONER FEATURES AND OPERATION INSTRUCTIONS

**WARNING:** To reduce the risk of fire, electric shock, or injury to persons, read the important safety instructions before operating this appliance.

**NOTE:** If the air conditioner is turned off, wait 3 minutes before restarting. This allows pressure inside the compressor to equalize. Failure to follow these instructions may result in damage to your unit.

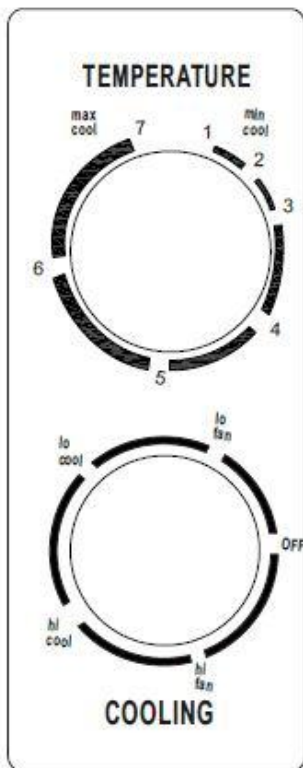
**To begin operating the air conditioner, follow these steps:**

1. Set the thermostat to the highest number (coldest setting).
2. Set the selector control to the HI COOL setting.
3. Adjust the louver for comfortable airflow.
4. Once the room has cooled, adjust the thermostat to the setting you find most comfortable.
5. Make sure that the air flow inside and outside are not obstructed by anything.

**NOTE:** This air conditioner is designed to be operated under the following conditions:

Cooling Operation	Outdoor Temp:	64°F - 110°F (18°C - 43°C)
	Indoor Temp:	62°F - 89°F (17°C - 32°C)

**Performance may be reduced if unit is operated above or below these operating temperature ranges.**



*The controls featured in this manual may be slightly different from yours.*

**Cool Mode**

The desired cool setting is selected by rotating the **COOLING** knob to the right to the appropriate location.

“HI COOL” provides maximum cooling effect and airflow

“LOW COOL” provides minimum cooling effect and airflow

**Fan Mode**

Rotate the COOLING knob to the left to select your choice of fan speeds for air circulation (Lo fan or Hi fan)

Note: When in fan mode, the compressor will not run.

**Thermostat**

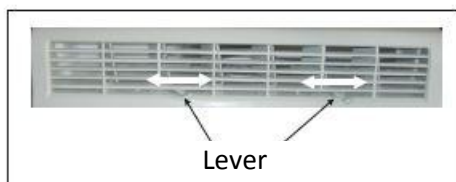
The thermostat is used to set the desired room temperature when the unit is being operated in **HI COOL** or **LO COOL** mode.

To set the desired room temperature, rotate the thermostat switch to the desired setting. After the set temperature is achieved, the air conditioner will automatically start and stop the compressor in order to maintain the desired set temperature.

Rotate the thermostat clockwise for higher cool settings. Higher cool settings will provide a lower room temperature. Rotate the thermostat selector counter-clockwise for lower cool settings. Lower cool settings will provide a higher room temperature.

Please wait for at least 3 minutes when turning the unit off before turning the unit on again and when changing from cool to fan and back to cool again. This prevents compressor from overheating and/or tripping the circuit breaker.

**Air Directional Louvers**



Air Direction

The louvers will allow you to direct the airflow Left or Right as needed.

Move the levers from side to side until the desired airflow direction is obtained.

### CAUTION

Clean your air conditioner occasionally to keep it looking new. **Be sure to unplug the unit before cleaning to prevent shock or fire hazards.**



#### **Air Filter Cleaning**

The air filter should be checked at least once a month to see if cleaning is necessary. Trapped particles in the filter can build up and cause an accumulation of frost on the cooling coils.

- Remove the filter by sliding it out from the right hand side to the Vent Closed position (where applicable).
- Wash the filter using liquid dishwashing detergent and warm water.
- Rinse filter thoroughly.
- Gently shake excess water from the filter. Be sure the filter is thoroughly dry before replacing.

**Note:** Instead of washing, you may vacuum the filter clean.

**Note:** Never use hot water over 40° C (104° F) to clean the air filter. Never attempt to operate the unit without the air filter.

#### **Cabinet Cleaning**

- Be sure to unplug the air conditioner to prevent shock or fire hazard. The cabinet and front may be dusted with an oil-free cloth or washed with a cloth dampened in a solution of warm water and mild liquid dishwashing detergent. Rinse thoroughly and wipe dry.
- Never use harsh cleaners, wax or polish on the cabinet front.
- Be sure to wring excess water from the cloth before wiping around the controls. Excess water in or around the controls may cause damage to the air conditioner.
- Plug in air conditioner.

#### **Winter Storage**

If you plan to store the air conditioner during the winter, remove it carefully from the window according to the installation instructions. Cover it with plastic or return it to the original carton.

## ADDITIONAL THINGS YOU SHOULD KNOW

### Normal Operating Sounds

#### High Pitched Chatter

High efficiency compressors may have a high pitched chatter during the cooling cycle.

#### Sound of Rushing Air

At the front of the unit, you may hear the sound of rushing air being moved by the fan.

#### Vibration

Unit may vibrate and make noise because of poor wall or window construction or incorrect installation.

#### Pinging or Switching

Droplets of water hitting condenser during normal operation may cause pinging or switching sounds.



#### Gurgle/Hiss

Gurgling or hissing noise may be heard due to refrigerant passing through evaporator during normal operation.

## TROUBLESHOOTING TIPS

Before calling for service, review this list. It may save you time and expense. This list includes common occurrences that are not the result of defective workmanship or materials in this appliance.

<b>PROBLEM</b>	<b>SOLUTION</b>
Air conditioner does not start.	<ol style="list-style-type: none"> <li>1. Wall plug may be disconnected. Push plug firmly into outlet.</li> <li>2. House fuse blown or circuit breaker tripped. Replace fuse with time delay type of fuse or reset circuit breaker.</li> <li>3. Plug Current Device tripped. Press the RESET button.</li> <li>4. Control is OFF. Turn Control ON and set to desired setting.</li> </ol>
Air from unit does not feel cold enough.	<ol style="list-style-type: none"> <li>1. Room temperature below 17°C (62° F). Cooling may not occur until room temperature rises above 17° C (62° F).</li> <li>2. Temperature sensing element touching cold coil, located behind air filter. Straighten tube away from coil.</li> <li>3. Reset to a higher COOL position.</li> <li>4. Compressor shut-off by changing modes. Wait approximately 3 minutes and listen for compressor to restart when in the COOL mode.</li> </ol>
Air conditioner cooling, but room is too warm-ice forming on cooling coil behind decorative front panel.	<ol style="list-style-type: none"> <li>1. Outdoor temperature below 18°C (64°F). To defrost the coil, set to FAN ONLY mode.</li> <li>2. Air filter may be dirty. Clean filter. Refer to <b>Care and Cleaning</b> section.</li> <li>3. Thermostat set too cold for night-time cooling. To defrost the coil set to Fan Only mode and then set temperature to a higher setting.</li> </ol>
Air conditioner cooling, but room is too warm- NO ice forming on cooling coil behind decorative front panel.	<ol style="list-style-type: none"> <li>1. Dirty air filter-air restricted. Clean air filter. Refer to <b>Care and Cleaning</b> section.</li> <li>2. Temperature is set too high. Set temperature to a lower setting.</li> <li>3. Air directional louvers positioned improperly. Position louvers for better air distribution.</li> <li>4. Front of unit is bloked by drapes, blinds, furniture, etc. – restricts air distribution. Clear blockage from the front of the unit.</li> </ol>
Air conditioner turns on and off rapidly.	<ol style="list-style-type: none"> <li>1. Dirty air filter-air restricted. Clean air filter. Refer to <b>Care and Cleaning</b> section.</li> <li>2. Outside temperature extremely hot. Set FAN speed to a higher setting to bring air past cooling coils more frequently.</li> </ol>



Noise when unit is cooling.	<ol style="list-style-type: none"> <li>1. Air movement sound. This is normal. If noise is too loud, set to a lower FAN setting.</li> <li>2. Window vibration - poor installation. Refer to installation instructions or check with installer.</li> </ol>
Water dripping INSIDE when unit is cooling.	<ol style="list-style-type: none"> <li>1. Improper installation. Tilt air conditioner slightly to the outside to allow water drainage. Refer to installation instruction or check with installer.</li> </ol>
Water dripping OUTSIDE when unit is cooling.	<ol style="list-style-type: none"> <li>1. Unit removing large quantity of moisture from humid room. This is normal during excessively humid days.</li> </ol>

#### Technical support

For questions not answered in this manual, or for warranty service, please contact Impecca Technical Support:

By phone: 1-866-954-4440 (9:00 AM to 6:00 PM Eastern Time)

By e-mail: [service@impeccausa.com](mailto:service@impeccausa.com)

Online: [www.impecca.com](http://www.impecca.com)