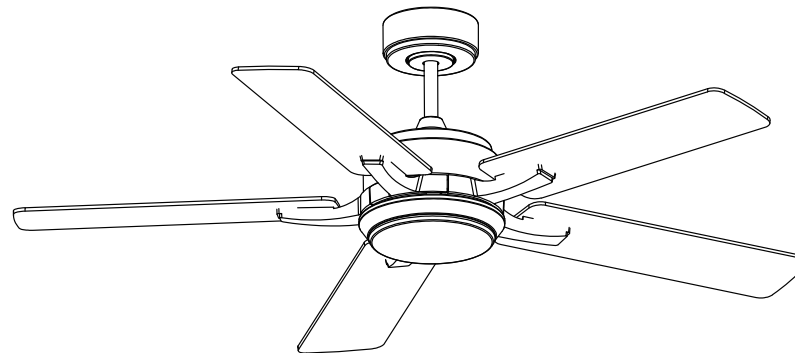


TROUBLESHOOTING:

PLEASE CHECK THE FOLLOWING BEFORE LODGING A SERVICE REPORT

PROBLEM	REASON	SOLUTION
Fan not moving	<ol style="list-style-type: none">1) Main cables not connected.2) Check the line wires.	<ol style="list-style-type: none">1) Check mains & sub circuit breakers or fuse.2) Check the line wires connections to the fan & switch housing.
Fan noisy	<ol style="list-style-type: none">1) Housing screw loose.2) Wire nut connections rattles against each other.3) Canopy touches the ceiling.	<ol style="list-style-type: none">1) Tighten all screws.2) Separate & store neatly all the wire nut connections.3) Check & ensure the canopy is not touching or too close to the ceiling.
Remote control not working	<ol style="list-style-type: none">1) Remote & receiver pairing out.2) Battery not installed.3) Battery weak.	<ol style="list-style-type: none">1) Pairing required – follow page 9 , clause 2.2) Install the remote control battery.3) Change new battery.



Model: YJ671

Instruction Manual

Attention:

This appliance is not intended for use by persons (including Children) with reduced physical, sensory or mental capabilities or lack of experience and knowledge unless they have been given supervision or instruction concerning use of the appliance by a person responsible for their safety. Children should be supervised to ensure that they do not play with the appliance.

SAFETY PRECAUTION:

IMPORTANT: PLEASE READ BEFORE INSTALLATION

1. The installation work must be carried out by a qualified wiring installer.
 2. Turn off the Electrical Main Switch at the circuit breaker fuse box.
 3. Using power supply 120V~ / 60Hz.
 4. **WARNING:** To Reduce The Risk Of Fire, Electric Shock, Or Personal Injury, Mount To Outlet Box Marked "Acceptable for Fan Support of 15.9 kg (35 lbs) or less" And Use Mounting Screws Provided With The Outlet Box. Most Outlet Boxes Commonly Used For The Support of Luminaires Are Not Acceptable For Fan Support And May Need To Be Replaced. Consult A Qualified Electrician If In Doubt.
 5. **CAUTION:** To Reduce The Risk Of Injury To Persons, Install Fan So That The Blade Is At Least 3.05 Meters (10 Feet) Above The Floor.
 6. Do not operate the reverse switch when the fan is still in motion mode. Wait till it stop completely before switching to reverse mode.
 7. Do not insert any objects in the path of the blades.
 8. When all electrical connection are done, store all wires neatly.
 9. Make sure all screws and connections are tightly screwed and secured.
 10. The supply wires live and neutral must be connected to a double pole switch having a contact of at least 3mm in all poles.
 11. **WARNING:** To Reduce The Risk Of Personal Injury, Do Not Bend The Blade Brackets When Installing The Brackets, Balancing The Blades, Or Cleaning The Fan. Do Not Insert Foreign Objects In Between Rotating Fan Blades.
 12. **WARNING -** To Reduce The Risk Of Electric Shock, This Fan Must Be Installed With An Isolating Wall Control/Switch.
 13. **CAUTION:** To Reduce The Risk Of Electric Shock, Disconnect The Electrical Supply Circuit To The Fan Before Installing Light Kit.
- ATTENTION:** pour réduire le risque de blessures corporelles, installez le ventilateur de manière à ce que la lame se trouve à au moins 3,05 mètres (10 pieds) au-dessus du sol.
- AVERTISSEMENT:** pour réduire le risque d'incendie, de choc électrique ou de blessure, montez sur la boîte de sortie marquée « Acceptable pour un support de ventilateur de 15,9 kg (35 lb) ou moins » et utilisez les vis de montage fournies avec la boîte de sortie. La plupart des boîtiers de sortie couramment utilisés pour le support des luminaires ne sont pas acceptables pour le support des ventilateurs et peuvent devoir être remplacés. Consultez un électricien qualifié en cas de doute.

WARNING

TO REDUCE THE RISK OF PERSONAL INJURY, DO NOT BEND THE BLADES BRACKETS DURING ASSEMBLY OR AFTER INSTALLATION. DO NOT INSERT ANY OBJECTS IN THE PATH OF THE BLADES.

TO REDUCE THE RISK OF SHOCK, THIS FAN MUST BE INSTALLED WITH AN ISOLATION WALL CONTROL / SWITCH.

MAINTENANCE TIPS:

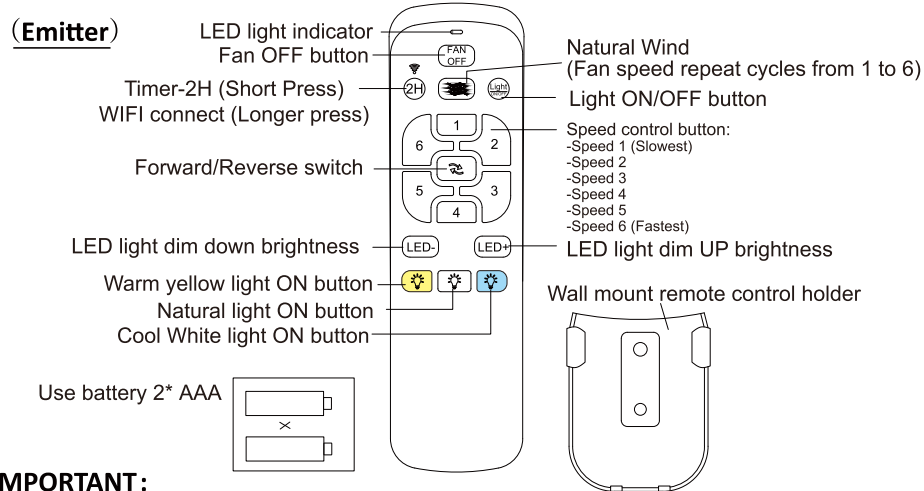
1. Because of the fan's natural movement, some connections may be loose. To check the support connections, brackets and blades attachment 2 times a year. Make sure they are all secured (It is not necessary to dismantle the entire fan from ceiling).
2. Clean your fan periodically to help maintain its appearance over the years. Do not use water when cleaning, use only a soft brush or lint-free cloth to avoid scratching the finish. The plating is coated with a lacquer to minimize the ratio of discoloration or tarnishing which would damage the motor or the wood or possibly cause an electric shock.
3. You can apply a light coat of furniture varnishing to the wood for additional protection and enhance its beauty. Surface scratched mark can be touch-up with a light coat of shoe polish.
4. There is no need to oil your fan. The motor is created with lubricated sealed ball bearings.
5. User are advised to contact the fan supplier to conduct regular examination of the fan suspension system at least once in every two years.

WARNING

MAKE SURE THE POWER IS SWITCH OFF AT THE ELECTRICAL PANEL BOX BEFORE YOU ATTEMPT TO ANY REPAIRS (REFER TO THIS SECTION), MAKING ELECTRICAL CONNECTIONS.

ASSUREZ-VOUS QUE L'ALIMENTATION EST COUPÉE AU NIVEAU DU BOÎTIER ÉLECTRIQUE AVANT DE TENTER DES RÉPARATIONS (VOIR CETTE SECTION), EN FAISANT DES CONNEXIONS ÉLECTRIQUES.

REMOTE CONTROL MANUAL (BUTTON FUNCTION):



IMPORTANT:

The remote control transmitter and receiver have factory pre-set/paired and ready to be used immediately. If require to re-pairing the transmitter and receiver, follow below instruction:

1. Turn the ceiling fan main switch power Off for 10 seconds.
2. Turn the ceiling fan main switch power on, and will hear a Beep sound then within 3 seconds press and hold the 'FAN OFF' button.
3. Wait until the receiver emitted a Beep sound then let go the button and the pairing process is completed.
4. If the pairing process un-successfully, then repeat step 1 to step 3. (Note: Ensure the batteries have enough power)

NOTE: After press timer(2H) button, if press any button will clear the timer function. Require not to press any button after set the timer function.

5. When the emitter cannot control the receiver, please check is there any existence of similar remote controlled products nearby, then check whether they works, because remote controlled product with the same frequency will disturb each other.

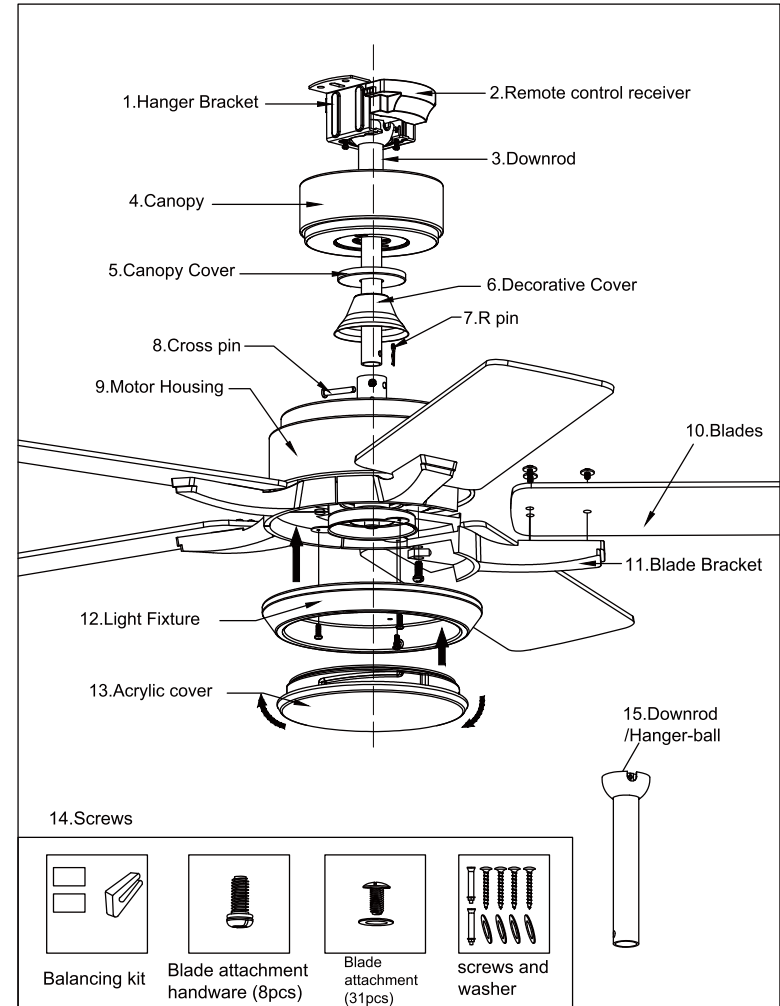
6. Low voltage of battery will affect the sensitivity of the emitter and the signal reception accordingly (the indicated light will be dimmed when the battery get low voltage). must replace if the battery is getting low voltage.

7. Please take out the battery from the emitter when leaving unused for long time.

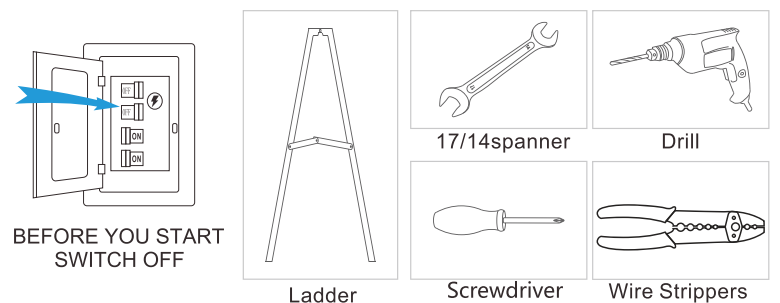
8. The maximum load of lighting see the above "POWER PARAMETER LIST" PS: please connect the ground wire correctly, otherwise it may cause the light micro-light or flash

9. When installing the fan, the fan ceiling cover don't press the antenna (or other wire), it is easy to break down the wire and short-circuited.

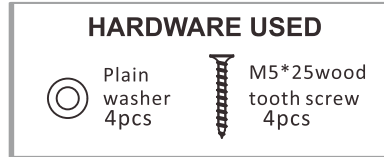
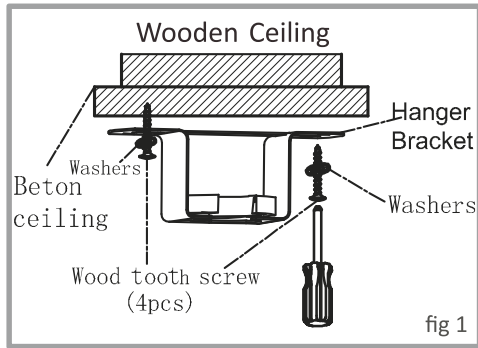
FAN STRUCTURE DRAWING:



TOOLS THAT MAY BE USED DURING INSTALLATION :

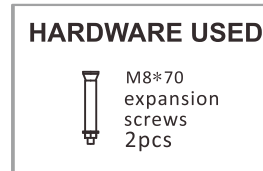
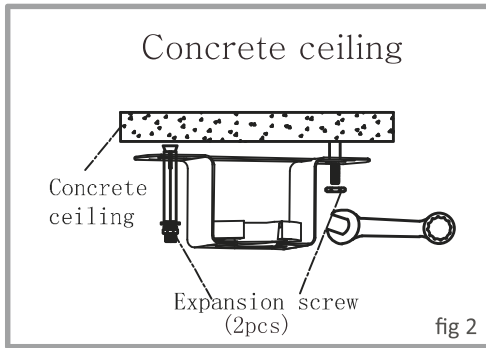


1. INSTALLATION OF HANGER BRACKET:



Wooden Ceiling:

To use Four Wood tooth screws to install the hanger bracket firmly.(fig 1)



Concrete ceiling:

To use Two Expansion screws to install the hanger firmly.(fig 2)

SMART APP CONNECTION INSTRUCTION

1. Download & Install Tuya Smart App

Scan the QR code on the right and download the Tuya Smart App.




⚠️ Note: This ceiling fan needs to use 2.4Ghz WIFI to work when you connect the device.

2. Register & Log in


Open the Tuya Smart App to create your account.

3. Add the Device(Two ways connection):

① Add automatically(WIFI on & Bluetooth on) -- Recommended

- Open Tuya Smart App.
- Initiate pairing status: Turn on the Fan power supply within 30 seconds, start pairing by Pressing the “” at least 5 seconds until you hear 2 or more beep sounds from the receiver.
- Then a window will pop up to show you some devices can be connected.
- Click “Add” and then press “+” button, type in your WIFI code & password.
- Wait for the connection to complete.

② Add manually(WIFI on & Bluetooth off)

- Open Tuya Smart App.
- Click “Add device”.
- Under “Add Manually” select “Small Home Appliances”.
- Select “Fan(Wi-Fi)”.
- Type in your WIFI code & password.
- Initiate pairing status: Turn on the Fan power supply within 30 seconds, start pairing by Pressing the “” at least 5 seconds until you hear five times beep sound from the receiver.
- Click “Confirm the indicator is blinking” and select “Blink Quickly”.
- Wait for the connection to complete.

Alexa Connection Instruction

- Make sure you have connected the device to the app and working normally.
- Open Alexa app, go to the skill to search “Tuya Smart” skill.
- Link the skill , log in with your Tuya Smart app account and password, then authorize and connect with Tuya Smart app.
- Then the Alexa will find out the device automatically.

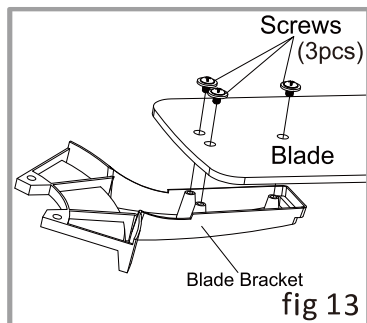
Google Assistant Connection Instruction

- Make sure you have connected the device to the app and working normally.
- Open Google Home app, Set up a device, choose “Works with Google”.
- Search “Tuya Smart”, log in with your Tuya Smart app account and password then authorize and connect with Tuya Smart app.
- Then the Google Assistant will find out the device automatically.

Note:

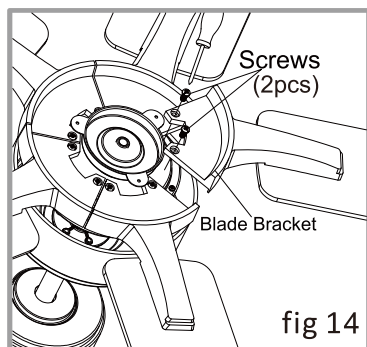
- Connect the device to the App must turn on WIFI and Bluetooth on your phone.
- This ceiling fan needs to use 2.4Ghz WIFI to work when you connecting the device.
- Make sure the WIFI network is stable.
- Check whether the WIFI name, password,etc have been modified. If so, reset the device and add it again.

6. INSTALLATION OF FAN BLADES:



1) Install blade to blade bracket using the supplied screws. Start a screw in to the bracket, repeat for the two remaining screws. (fig 13)

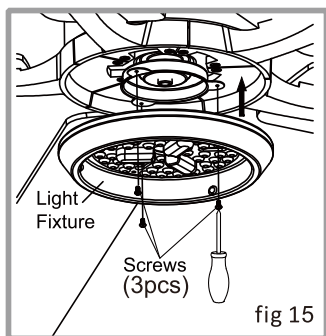
2) Tighten each screw securely .



3) Remove the three shipping blocks and three screws from the motor.

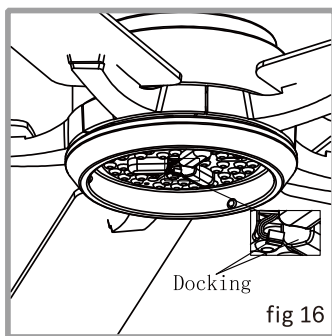
4) Attach the blade bracket to the motor holes, then attach and tighten the screws. Repeat five times. (fig 14)

7. INSTALLATION OF LIGHTKITS :



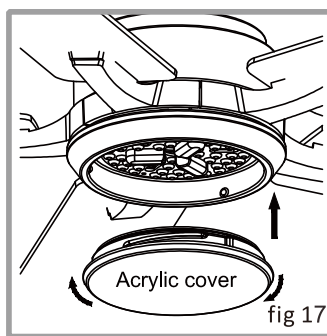
1) Remove three screws from the motor round piece. (fig 15)

2) Attach the light kit to the fan, fix the first screw back to the hole and tighten all the three screws firmly. (fig 15)



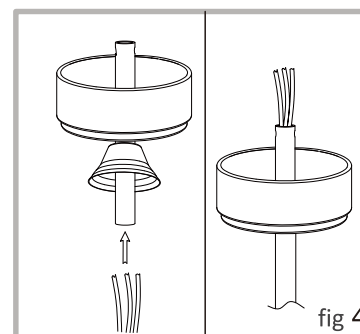
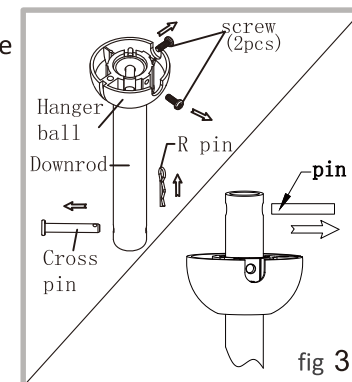
3) Direct plug in the wire to the light kit docking(connector). (fig 16)

4) Attach the acrylic cover to the light kit and twist clockwise until it's secured tightly. (fig 17)



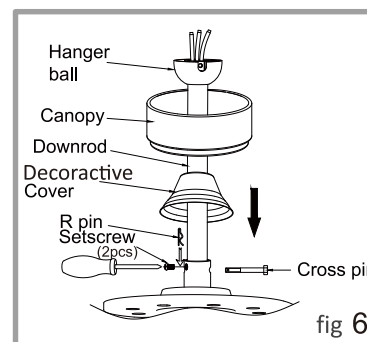
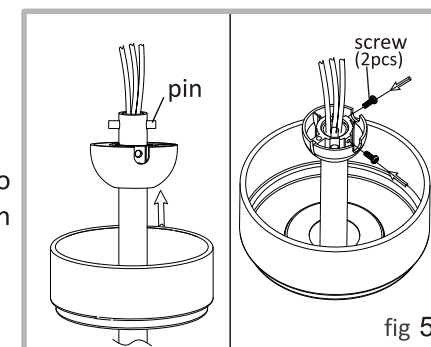
2. INSTALLATION OF DOWNROD / HANGER BALL:

1. Remove the screw and pin from the hanger ball; Remove the "R" pin and cross pin from the downrod. (fig 3)



2. Choose suitable downrod, Put the canopy and the decorative cover into the downrod, then thread the wire through the downrod. (fig 4)

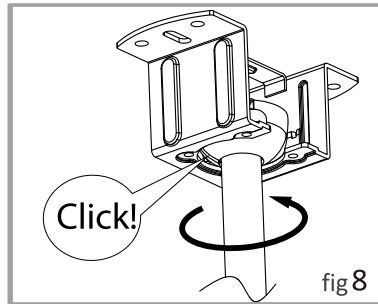
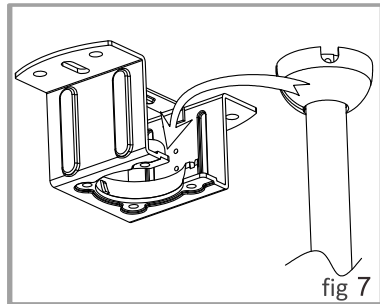
3. Install back the screws and pin to the hanger ball , ensure to fasten the screws. (fig 5)



4. Loosen the two setscrews in the downrod support (NOTE: The two setscrews above are used to secure the downrod. The two screws below are used to secure the central spindle, please do not loosen), Insert the downrod into the connector. Install back the cross pin and secured with the "R" pin. (Note: The wire will block the cross pin slightly) Fasten back the two setscrews . (fig 6)

The "R" pin must be properly installed to prevent the cross pin from working loose.

3. HANGING OF CEILING FAN:



Carefully lift the fan and assemble into hanger bracket which is attached to the outlet box. Ensure the rod ball's groove is lined up with tab on the hanger bracket.


4. WIRING OF CEILING FAN :

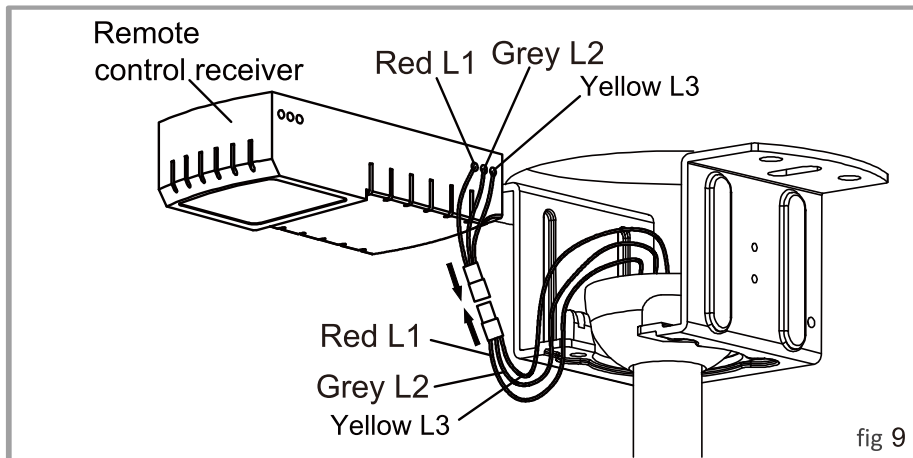
Total six colors of wires connected from the top of the motor:

- * Black, White, Yellow wires - for light kit
- * Red(L1), Grey(L2), Yellow(L3) wires - live wire for fan
- * Green/Yellow - ground wire

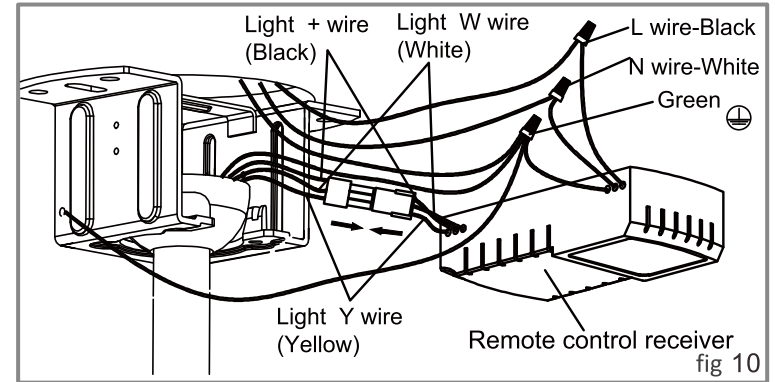
The installation is to be in accordance with the National Electrical Code ANSI/NFPA 70 and local codes.

HARDWARE USED

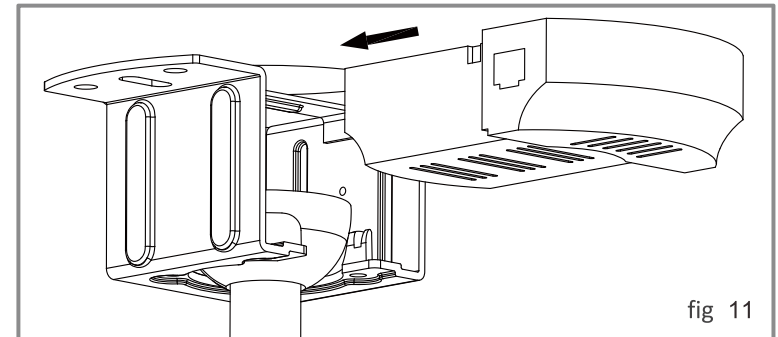
	wire connectors	
	P2	2 pcs
	P3H	1 pcs



- 1) Plug the connector from the motor into the remote control receiver: big Connector to the big Socket & small Connector to the small Socket (Do not connect the small connector for fan without lightkit)

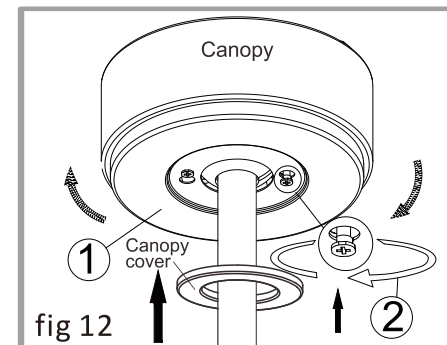


- 2) Connect wire and remote control receiver wires to AC wires (Household supply):
Green to Ground,
White to Neutral,
Black to Live.



- 3) Tidy up the wire and slide the receiver into the hanger bracket.

5. INSTALLATION OF CANOPY:



- 1) After done up the wiring, attach the canopy to the hanger bracket by pushing up and twist to locate screws in the two key holes. (fig 12)
- 2) Tighten the two screws firmly.
- 3) Attach the canopy cover with magnet to the canopy. (fig 12)