



René

R1-1012

Single Bowl Bar Sink

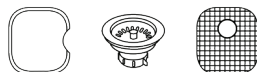
16G UPC: 841412128902

18G UPC: 841412128896

FEATURES

- 16 or 18 Gauge Steel
- Undermount Installation
- Brushed Satin Finish
- Cold Rolled Stainless Steel
- 15" Minimum Cabinet Size
- Fully Insulated
- Limited Lifetime Warranty
- Center Drain 3 1/2"
- Sound Dampening Pads
- Installation Hardware included
- Cutout Template Included

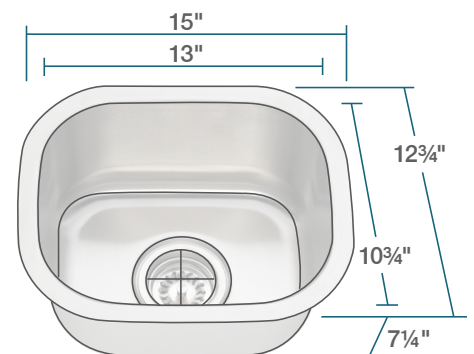
ACCESSORIES



STAINLESS STEEL

Stainless Steel is the most popular choice for today's kitchens due to its clean look and durability. The beautiful brushed satin finish helps to hide small scratches that may occur over the lifetime of the sink. Our Stainless Steel sinks are made from high quality, 14, 16, 18, or 20 gauge, 304 steel. Each sink is fully insulated and has a sound dampening pad.

DIMENSIONS



www.renesinks.com
872.241.0016
sales@renesinks.com