

Cub Cadet®

OPERATOR'S MANUAL

Twin Rear Bagger Model Nos. 19B70054* and 19B70055*

Record Product Information

Before setting up and operating your new equipment, please locate the model plate and record the information in the area provided to the right. You can locate the model plate by looking on the outside of the bagger cover. The model plate contains the unit's model and serial numbers. This information will be necessary, should you seek technical support via our web site, Customer Support Department, or with a local authorized service dealer.

MODEL NUMBER

--	--	--	--	--	--	--	--	--	--	--	--

SERIAL NUMBER

--	--	--	--	--	--	--	--	--	--	--	--

Table of Contents

<i>Safe Operation Practices</i>	2	<i>Warranty</i>	10
<i>Contents of Carton</i>	4	<i>Español</i>	11
<i>Assembly & Installation</i>	6	<i>Français</i>	21
<i>Operation</i>	9		

▲ WARNING

Read and follow all safety rules and instructions in this manual before attempting to operate this machine. Failure to comply with these instructions may result in personal injury.

▲ WARNING

California Proposition 65

Engine Exhaust, some of its constituents, and certain vehicle components contain or emit chemicals known to the State of California to cause cancer and birth defects.

NOTE: This Operator's Manual covers several models. Features may vary by model. Not all features in this manual are applicable to all models and the model depicted may differ from yours.



SAFE OPERATION PRACTICES

▲ WARNING

▲ This symbol points out important safety instructions which, if not followed, could endanger the personal safety and/or property of yourself and others. Read and follow all instructions in this manual before attempting to operate this tractor. Failure to comply with these instructions may result in personal injury. When you see this symbol. **HEED ITS WARNING!**

▲ DANGER

This attachment was built to be operated according to the safe operation practices in this manual. Carelessness or error on the part of the operator can result in serious injury. Tractors are capable of amputating hands and feet and throwing objects. Failure to observe the following safety instructions, as well as the safety instructions provided with your tractor, could result in serious injury or death.

General Operation

1. Read, understand and follow all instructions on your equipment and in their manuals before attempting to assemble and operate. Keep this manual in a safe place for future and regular reference and for ordering replacement parts.
2. To help avoid blade contact or a thrown object injury, keep bystanders, helpers, children and pets at least 75 feet from the tractor while it is in operation. Stop tractor if anyone enters the area.
3. Thoroughly inspect the area where the equipment is to be used. Remove all stones, sticks, wire, bones, toys and other foreign objects which could be picked up and thrown by the blade(s). Thrown objects can cause serious personal injury.
4. Always wear safety glasses or safety goggles during operation and while performing an adjustment or repair to protect your eyes. Thrown objects which ricochet can cause serious injury to the eyes.
5. Do not operate the tractor without the discharge cover or entire grass catcher in its proper place. A missing or damaged discharge cover or grass bag attachment component may result in thrown objects or blade contact injuries.
6. Do not put hands or feet near rotating parts or under the cutting deck. Contact with the blade(s) can amputate hands and feet.
7. Shut off tractor's engine and wait for blades to come to a complete stop before unclogging tractor's discharge opening or bagger parts.
8. Slow down before turning. Operate the tractor smoothly. Avoid erratic operation and excessive speed. Be aware that a grass catcher attachment can affect the handling characteristics of your tractor.
9. Disengage blade(s), set parking brake, stop engine and wait until the blade(s) come to a complete stop before opening bagger attachment's top cover, removing grass catcher, emptying grass, unclogging chute, removing any grass or debris or making any adjustments. Never leave a running tractor unattended. Always turn off blade(s), place transmission in neutral, set parking brake, stop engine and remove key before dismounting.
10. Your tractor is designed to cut normal residential grass. Do not attempt to mow through unusually tall, dry grass (e.g., pasture) or piles of dry leaves. Dry grass or leaves may contact the engine exhaust and/or build up on the tractor deck presenting a potential fire hazard.
11. If situations occur which are not covered in this manual, use care and good judgment. Contact your customer service representative for assistance.



Slope Operation

Slopes are a major factor related to loss of control and tip-over accidents which can result in severe injury or death. Attachments can also affect the stability of the tractor. All slopes require extra caution.

For your safety, use the slope gauge included as part of this manual to estimate the angle of slopes before operating this tractor on a sloped or hilly area. If the slope is greater than 10 degrees or 17 percent as shown on the slope gauge, do not operate the tractor with the grass bag attachment installed on that area or serious injury could result.

Safety Symbols

This table depicts and describes safety symbols that may appear on this product. Read, understand and follow all instructions on the tractor before attempting to assemble and operate.

Symbol	Description
	READ THE OPERATOR'S MANUAL(S) Read, understand and follow all instructions in the manual(s) before attempting to assemble and operate.
	STOP Turn OFF the engine before opening the bagger cover.

▲ WARNING

Your Responsibility — Restrict the use of this tractor to persons who read, understand and follow the warnings and instructions in this manual and on the tractor. SAVE THESE INSTRUCTIONS!

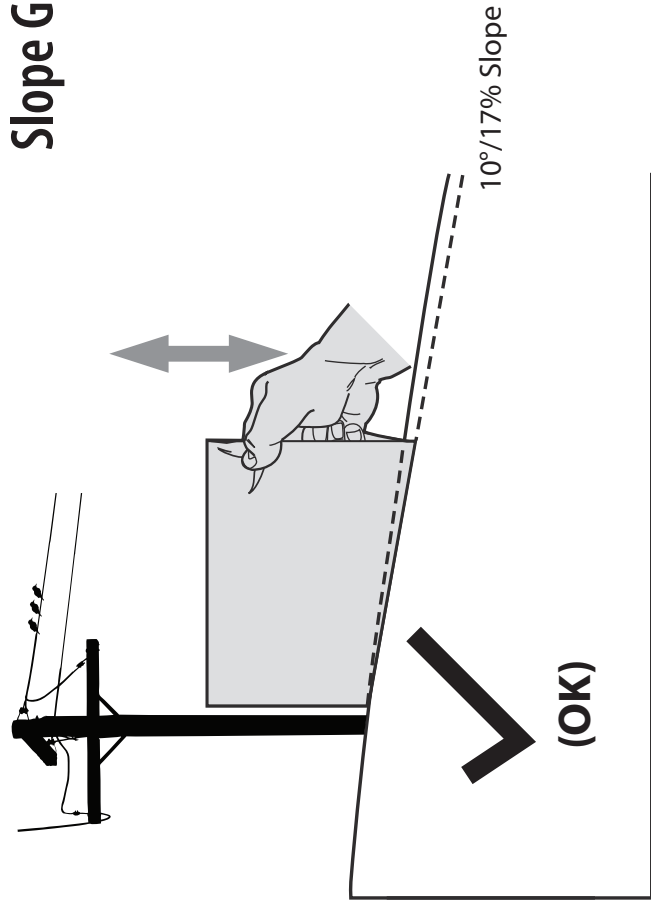


Figure 1

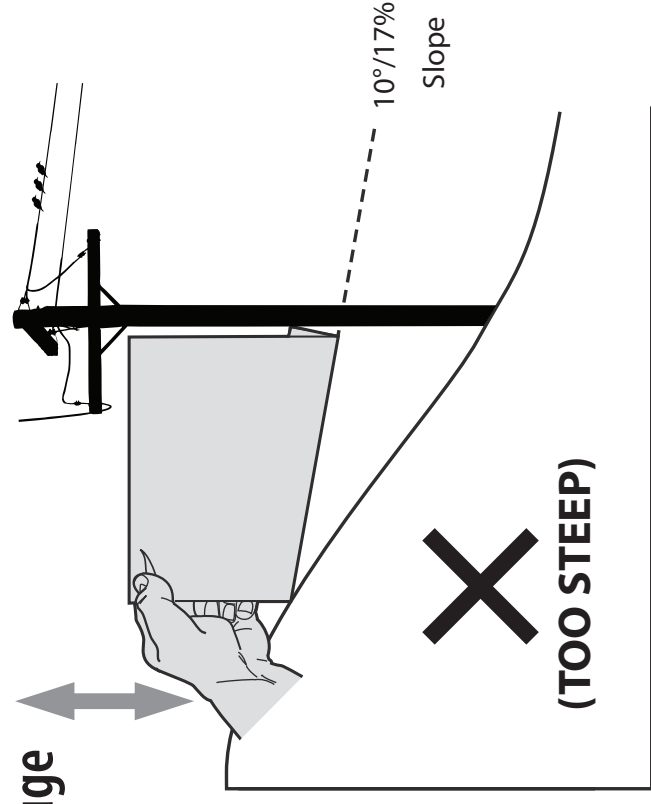
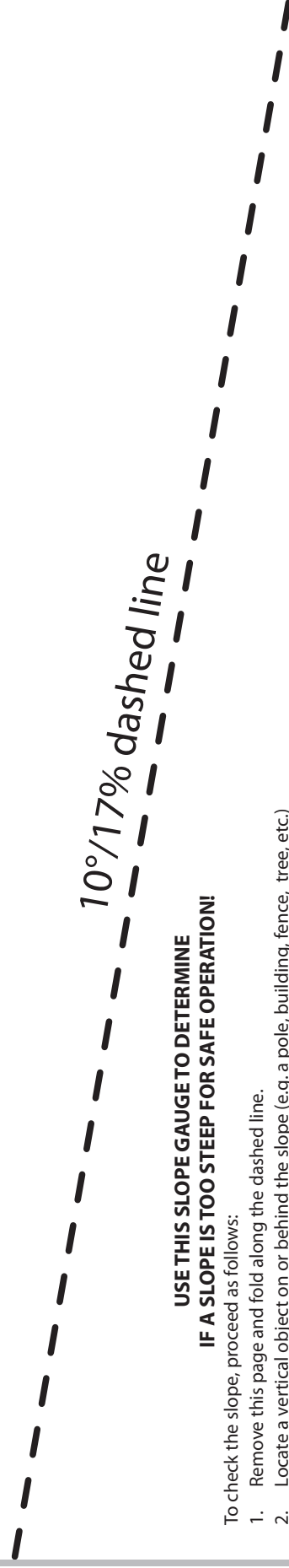


Figure 2



**USE THIS SLOPE GAUGE TO DETERMINE
IF A SLOPE IS TOO STEEP FOR SAFE OPERATION!**

To check the slope, proceed as follows:

1. Remove this page and fold along the dashed line.
2. Locate a vertical object on or behind the slope (e.g. a pole, building, fence, tree, etc.)
3. Align either side of the slope gauge with the object (See Figure 1 and Figure 2).
4. Adjust gauge up or down until the left corner touches the slope (See Figure 1 and Figure 2).
5. If there is a gap below the gauge, the slope is too steep for safe operation (See Figure 2 above).

▲ WARNING

Slopes are a major factor related to tip-over and roll-over accidents which can result in severe injury or death. DO NOT operate tractor on slopes in excess of 10 degrees/17 percent. All slopes require extra caution. If you cannot back up the slope or if you feel uneasy on it, do not mow it. Always mow up and down slopes, never across the face of slopes.

CONTENTS OF CARTON

Thank You

Thank you for purchasing a bagging attachment. It was carefully engineered to provide excellent performance when properly operated and maintained.

Please read this entire manual prior to operating the equipment. It instructs you how to safely and easily set up, operate and maintain your equipment. Please be sure that you, and any other persons who will operate the machine, carefully follow the recommended safety practices at all times. Failure to do so could result in personal injury or property damage.

All information in this manual is relative to the most recent product information available at the time of printing. Review this manual frequently to familiarize yourself with the equipment, its features and operation. Please be aware that this Operator's Manual may cover a range of product specifications for various models. Characteristics and features discussed and/or illustrated in this manual may not be applicable to all models. We reserve the right to change product specifications, designs and equipment without notice and without incurring obligation.

If you have any problems or questions concerning this equipment, phone your local dealer or contact us directly. We want to ensure your complete satisfaction at all times.

Throughout this manual, all references to *right* and *left* side of the machine are observed from the operating position.

42"/46" Double Bagger

Before beginning installation, remove all parts from the carton to make sure everything is present. Carton contents are listed below and shown in Figure 1. The hardware pack(s) included in this kit are detailed at the end of this section.

- Boot Assembly - 731-09329A
- Grass Bag Assembly (2) - 664-05104
- Vertical Support - 683-04519C
- Upper Chute Support - 731-17091
- Hanger Assembly - 683-04461C
- End Plugs (4) - 735-0246A (pre-installed)
- Bagger Cover - 631-04292
- Hose - 764-05082
- Screen - 731-06504
- Lower Hose Connection - 731-12353A (pre-installed)
- Hinge Pin - 711-04988
- Adapter Bracket - 789-02518
- Hitch Adapter Bracket - 789-02298
- RZT Bagger Weight - 719-04271A
- Weight Plates (3) - 789-02137
- Weight Hanger Bracket Left - 789-02197
- Weight Hanger Bracket Right - 789-02198
- Hardware Pack - 689-01419
- Bagger Boot Hardware Pack - 689-00636
- Anti-marking Adhesive Strips - 777X52246

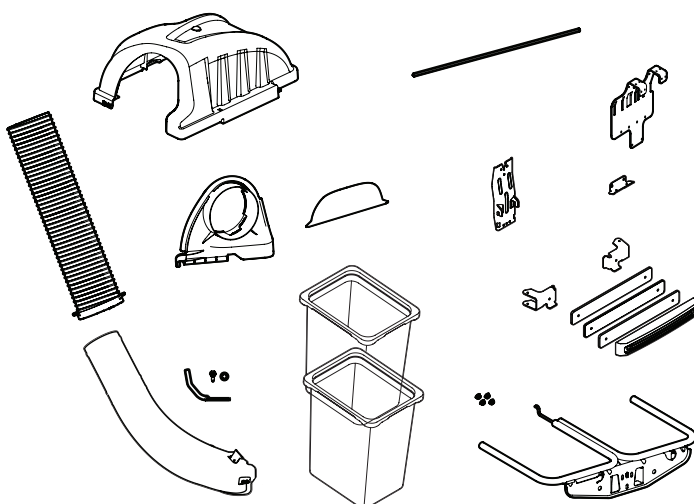


Figure 1

50"/54" Double Bagger

Before beginning installation, remove all parts from the carton to make sure everything is present. Carton contents are listed below and shown in Figure 2. The hardware pack(s) included in this kit are detailed at the end of this section.

- Boot Assembly - 631-09698
- Grass Bag Assembly (2) - 664-05104
- Vertical Support - 683-04519C
- Upper Chute Support - 731-17091
- Hanger Assembly - 683-04461C
- Chute Adapter - 731-10133
- End Plugs (4) - 735-0246A (pre-installed)
- Bagger Cover - 631-04292
- Hose - 764-05082
- Screen - 731-06504
- Lower Hose Connection - 731-12353A (pre-installed)
- Hinge Pin - 711-04988
- Adapter Bracket - 789-02518
- Hitch Adapter Bracket - 789-02298
- RZT Bagger Weight - 719-04271A
- Weight Plates (3) - 789-02137
- Weight Hanger Bracket Left - 789-02197
- Weight Hanger Bracket Right - 789-02198
- Hardware Pack - 689-01419
- Bagger Boot Hardware Pack - 689-02199
- Anti-marking Adhesive Strips - 777X52246

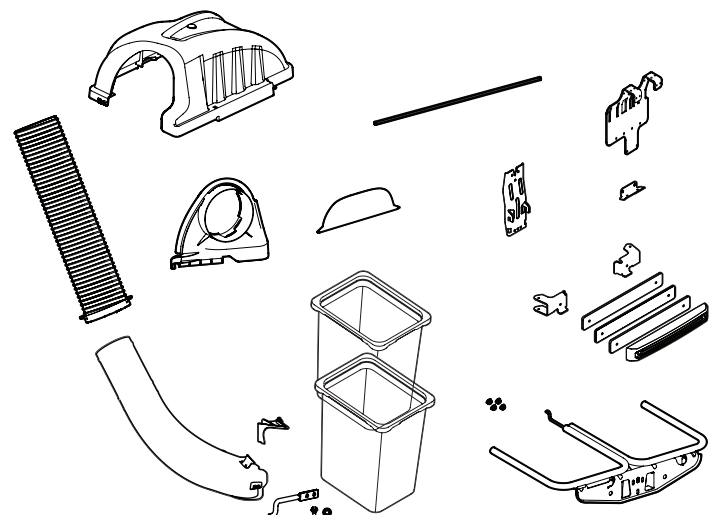


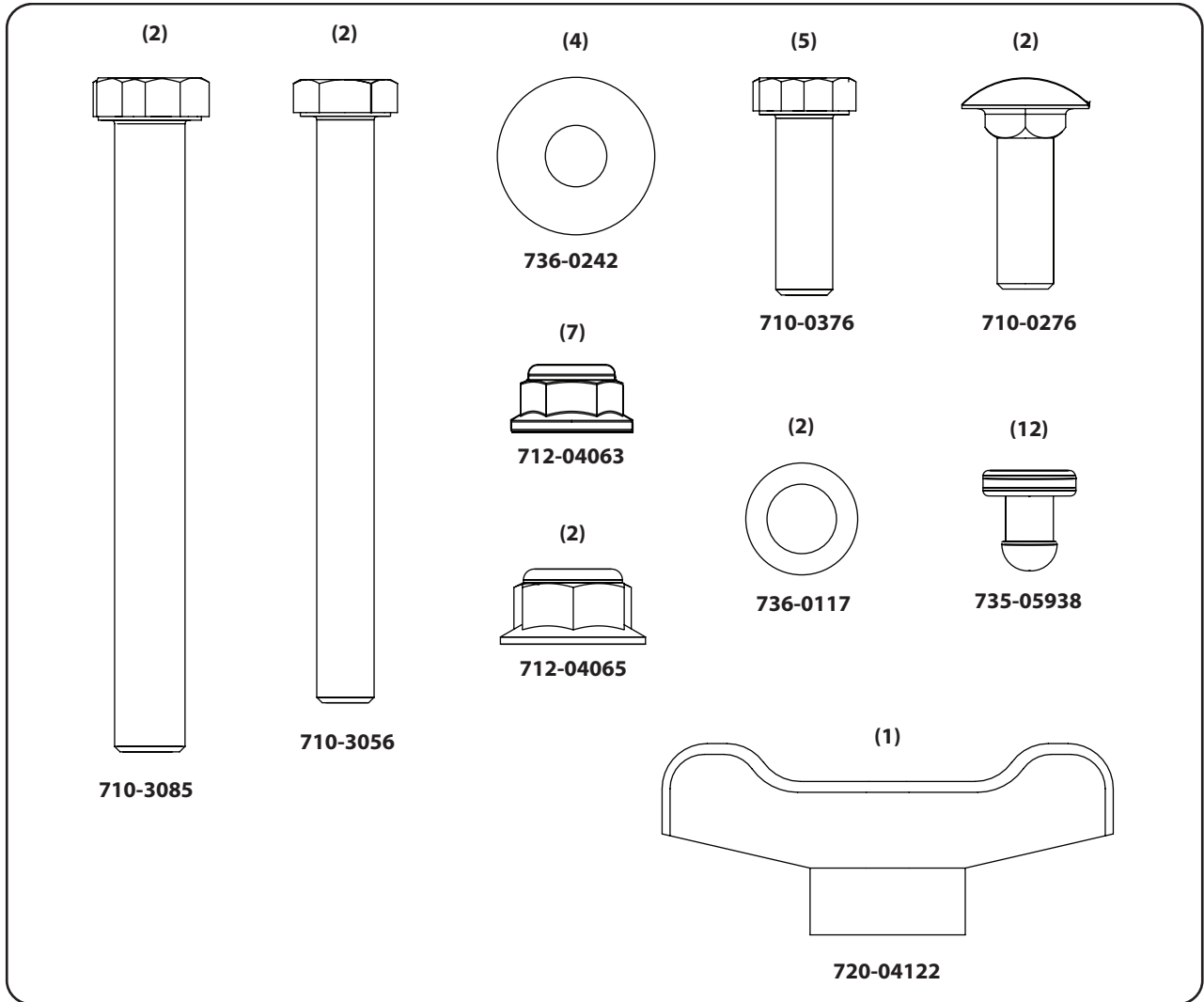
Figure 2

CONTENTS OF CARTON

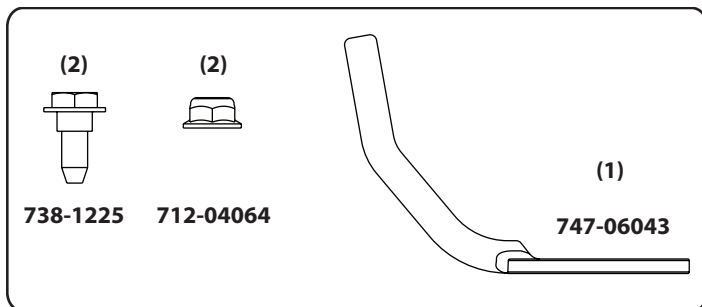
Contents of Hardware Pack

Please check your hardware packs against the illustrations below. The quantities for each item are listed in parentheses.

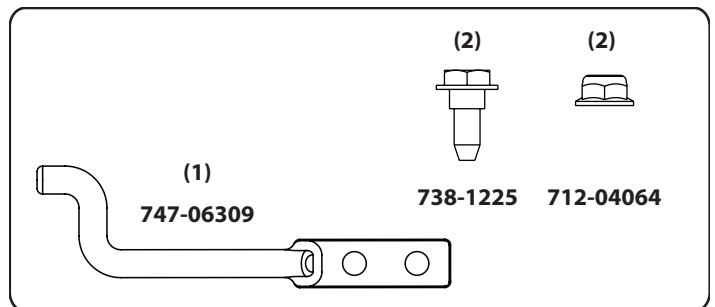
Hardware Pack 689-01419



42"/46" Hardware Pack 689-00636



50"/54" Hardware Pack 689-02199



ASSEMBLY & INSTALLATION

NOTE: References to left, right, front and rear of the tractor are from the operator's position, unless otherwise stated.

- Before assembly, place the tractor on a firm, level surface, disengage the PTO, stop the tractor engine and set the parking brake.

Assemble Mounting Brackets

1. Install 12 rubber pads (735-05938) into adapter bracket (789-02518) using the mounting holes shown in Figure 3.

NOTE: Check the bumper pads after each season for excessive wear and replace as necessary.

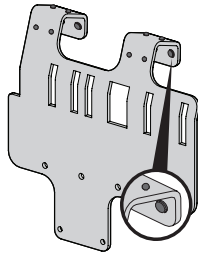


Figure 3

Install Bracket Assembly on Tractor

NOTE: When assembling this mounting assembly, it is best to not fully tighten the bracket at this time. This will facilitate the mounting process in later steps, which will then require fully tightening this mounting assembly.

Install mounting bracket assembly on tractor as follows:

1. Remove hitch bracket.
2. Place two flat washers (736-0117) between hitch bracket adapter (789-02298) and the hitch bracket removed in Step 1.
3. Install bracket assembly to the tractor's lower frame with two capscrews (710-0376). See Figure 4.
4. Hang adapter bracket assembly onto upper frame tube and connect to hitch bracket adapter with two screws (710-0376), two cup washers (736-0242) and two flange lock nuts (712-04063). See Figure 5.

NOTE: Make sure the adapter bracket is seated firmly on the upper tube frame.

5. Tighten all of the hardware installed at this time.

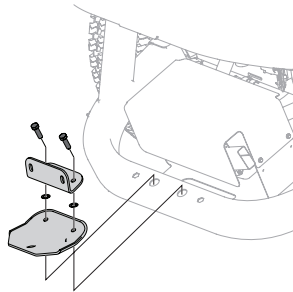


Figure 4

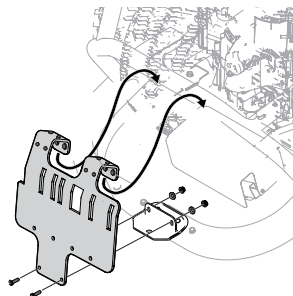


Figure 5

Install Vertical Support

NOTE: This manual covers various bagger configurations. Please follow the instructions applicable to your machine.

1. Using Figure 6 and the chart below, locate the correct mounting hole location on the mounting bracket for your tractor:

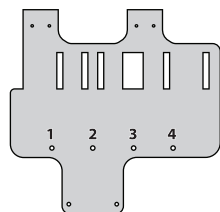


Figure 6

Model No.	Description	Position
19B70054*	42"/46" Double Bagger	4
19B70055*	50"/54" Double Bagger	3

NOTE: Hole position 2 is currently not used.

2. Install the vertical support (683-04519C) onto the mounting assembly on the tractor by hooking it over the mounting assembly as shown in Figure 7.
3. Secure the vertical support to the mounting assembly using a hex bolt (710-0376) and flange lock nut (712-04063) from hardware pack 689-01419. See Figure 7.

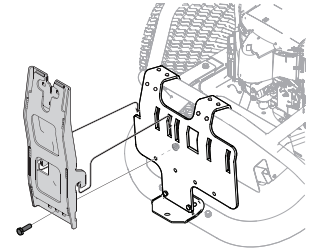


Figure 7

Install Hanger Assembly

1. Install and secure the hanger assembly (683-04461C) onto the vertical support using two carriage bolts (710-0276), two cup washers (736-0242) and two flange lock nuts (712-04063) from hardware pack 689-01419. See Figure 8.

NOTE: The carriage bolts (710-0276), from hardware pack 689-01419, go in the top hole with the nut facing the engine. The hex bolt (710-0376), from the same hardware pack, goes in the bottom hole.

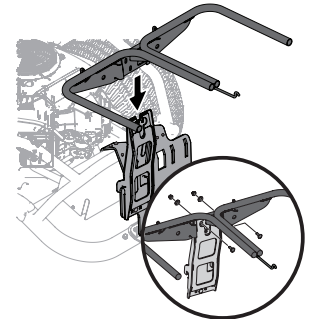


Figure 8

Assembling Remaining Bagger Components

With the mounting brackets assembled and in place on the tractor, follow these steps to assemble the remaining bagger components.

1. Snap the upper chute support (731-17091) in place by first clipping the side portion onto the hanger assembly rail (1), as shown in Figure 9.
2. Snap the front side of the upper chute support to the rail (2), as shown in Figure 9.
3. If not already done so by the factory, install the screen (731-06504) into the bagger cover (631-04292) by first inserting the end closest to the side with the cut-out (1) into the mounting hole, as in Figure 10.
4. Make sure to feed the screen under the lip. Clip in the other side by pushing the screen into the provided cut-out (2). See Figure 11.
5. Install the bagger cover onto the hanger assembly, as seen in Figure 12. The cover goes inside the two mounting tabs.

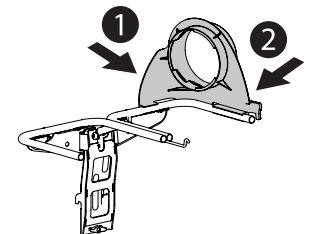


Figure 9

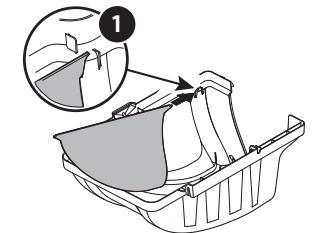
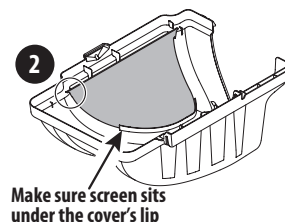


Figure 10



Make sure screen sits under the cover's lip

Figure 11

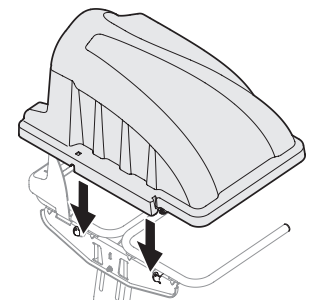


Figure 12

ASSEMBLY & INSTALLATION

- Slide the hinge pin (711-04988) into the hole located on the mounting tab, as shown in Figure 13. Use the cut-out window (see inset in Figure 13) to line up the hinge pin on the other side and push pin all the way in until it reaches the end-stop. At this point the pin clips into place and is secured by a tab in the bagger cover. See Figure 14.
- Open bagger cover by pushing in on the rear, right-side tab with your right hand (1), and lifting the cover with your left hand in the center rear of the bagger cover (2) as shown in Figure 15.
- Install both grass bag assemblies (664-05104) onto the hanger assembly rails by inserting the front edge in first (1), and then setting the back edge down until it fits into the assembly (2), as shown in Figure 16.

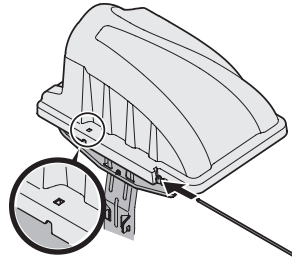


Figure 13

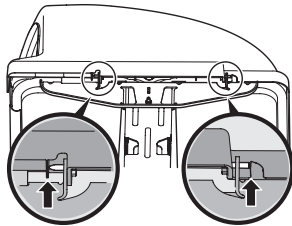


Figure 14

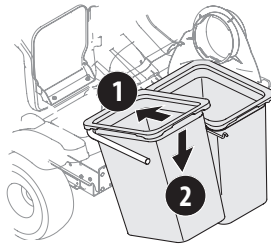


Figure 16

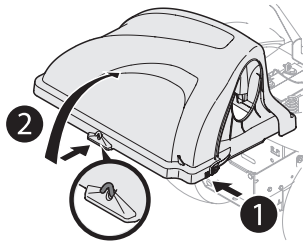


Figure 15

Installing the Boot Rod & Hardware

Model 19B70054*:

- From the inside of the boot, put the two hex head screws (738-1225), from hardware pack 689-00636, through the holes at the bottom front of the boot. See Figure 17.
- Put the mounting rod (747-06043) in place over the hex head screws. Make sure the tip of the rod is facing out from the boot. See Figure 17.
- Begin threading the two flange lock nuts (712-04064) onto the hex head screws. See Figure 17.
- Using a 7/16-inch wrench or socket on the screw and a 7/16-inch box wrench on the lock nuts, tighten down so flange is flush to secure the assembly.

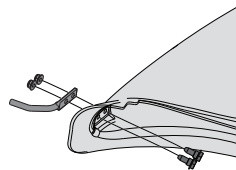


Figure 17

Model 19B70055*:

- From the inside of the boot, put the two hex head screws (738-1225), from hardware pack 689-02199, through the holes at the bottom front of the boot. See Figure 18.
- Put the mounting rod (747-06309) in place over the hex head screws. Make sure the tip of the rod is facing out from the boot. See Figure 18.
- Begin threading the two flange lock nuts (712-04064) onto the hex head screws. See Figure 18.
- Using a 7/16-inch wrench or socket on the screw and a 7/16-inch box wrench on the lock nuts, tighten down so flange is flush to secure the assembly.

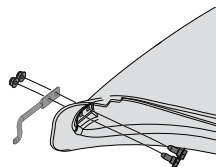


Figure 18

Installing the Boot - 42"/46" Double Bagger

- With the tractor's discharge chute raised up and held open (1), install the boot by placing the boot mounting rod into the chute mounting tab (2), as shown in Figure 19.
- Secure the boot to the deck using a wing knob (720-04122) from hardware pack 689-01419. See Figure 20.

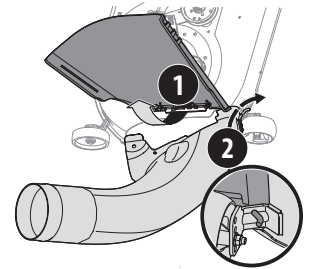


Figure 19

NOTE: If present, remove the protective cap off of the mounting stud on the mowing deck as shown in the upper inset of Figure 20.

IMPORTANT! Be certain that the bottom of the discharge chute is located inside of the lip of the deck opening, as shown in Figure 21.

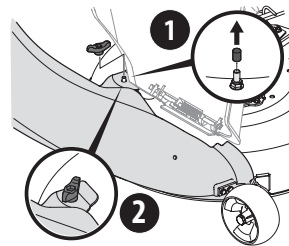


Figure 20

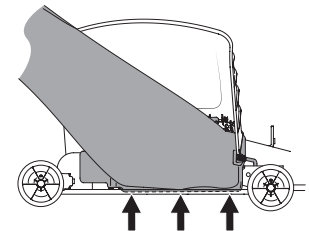


Figure 21

Installing the Boot - 50"/54" Double Bagger

When installing the boot, two different installation instructions exist. For the 54-inch fabricated deck units, the boot mounts directly onto the cutting deck. For the 50-inch and 54-inch stamped decks, an adapter must first be installed. Be sure to follow the instructions that pertain to the unit you are installing this bagger on.

54" Fabricated Deck Units:

- Raise the deck to its highest position.
- Raise the chute deflector (1 in Figure 22) on the deck and hold it while you position the boot over the chute opening.
- Insert the end of the boot (2) into the hole provided in the deck wheel mount as shown in the inset of Figure 22.
- Pivot the boot until the hole in the boot aligns with the pin on the deck. Move the boot down onto that pin as shown in (3) of Figure 22.
- Secure the boot to the cutting deck using a wing knob (720-04122) from hardware pack 689-01419. Refer to Figure 23.

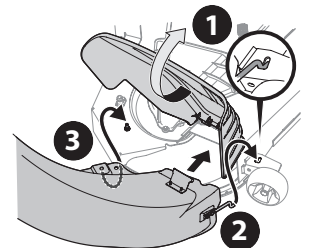


Figure 22

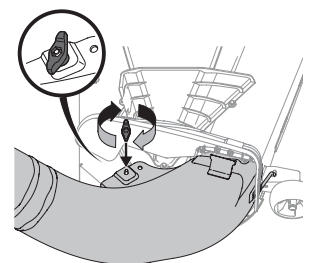


Figure 23

ASSEMBLY & INSTALLATION

On 50" and 54" Stamped Decks:

1. Raise the deck to its highest position.
2. Remove the deck pin rubber protective cap (1) in Figure 24.
3. Raise the chute deflector (2 in Figure 24) on the deck and hold it while you install the chute adapter (731-10133) (3) onto the deck as shown in Figure 24.
4. Insert the end of the boot (1) into the hole provided in the deck wheel mount as shown in the inset of Figure 25.
5. Pivot the boot rearward until the hole in the boot aligns with the pin on the deck adapter. Move the boot down onto that pin as shown in 2 of Figure 25.
6. Secure the boot to the cutting deck using a wing knob (720-04122) included in hardware pack 689-01419. Refer to Figure 26.

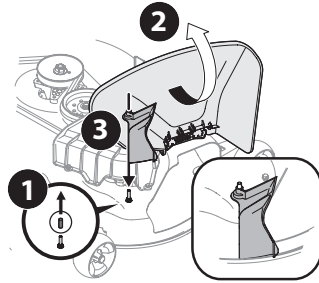


Figure 24

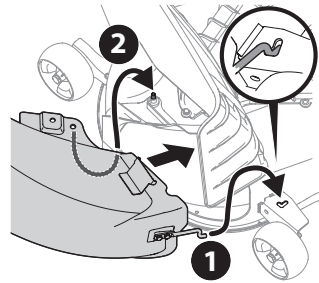


Figure 25

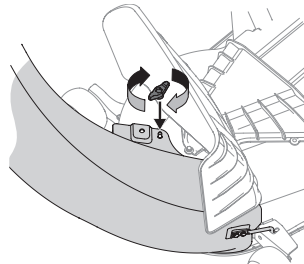


Figure 26

Installing the Hose

1. Thread the upper end of the hose (764-05082) securely into the upper chute support. There are two tabs on the lower inside part of the upper chute support to allow for secure threading. See Figure 27.
- NOTE:** The hose and upper chute support are **left-hand threaded**. Thread counter-clockwise until secure.
2. Lift by the handles at the bottom of the hose. Slide the hose over the boot mounted on the cutting deck, as shown in Figure 28.
 3. Make sure the connection is secure and there are no gaps between the hose and the boot.

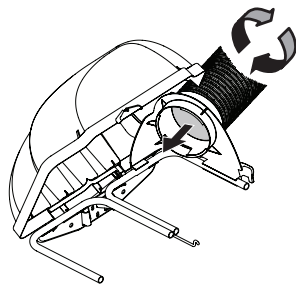


Figure 27

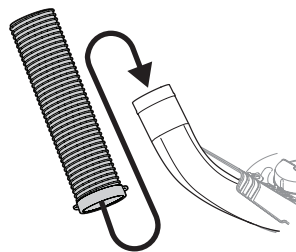


Figure 28

Install the Counter Weight

⚠ WARNING

This front-weight kit is required when operating any compatible zero-turn tractor models equipped with a grass collector. Failure to install this kit may result in serious injury or death.

⚠ WARNING

Before beginning installation, place the zero-turn tractor on a firm and level surface, set the parking brake, place the PTO in the disengaged (OFF) position, stop the motor and remove the ignition key to prevent unintended starting.

1. Before assembly, peel the adhesive decals from the sheet and apply to the inside faces of the right and left weight hanger brackets, as shown in Figure 29.
2. Attach the weight and three weight plates to the weight hanger brackets with two 3/8-inch hex head capscrews (710-3085) and two nuts (712-04065) as shown in Figure 30.
3. Visually center the weight bar assembly on the tractor and using two 7/16-inch hex head capscrews (710-3056) and two nuts (712-04063) secure the counter weight assembly to the tractor as shown in Figure 31.

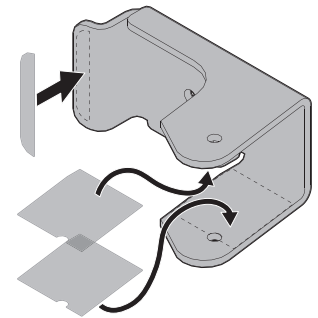


Figure 29

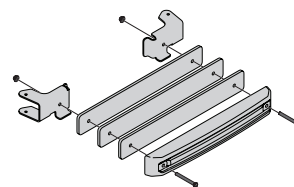


Figure 30

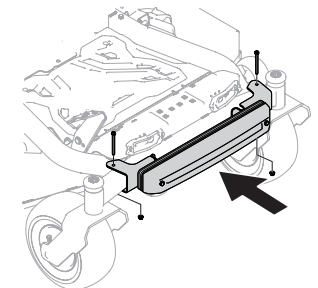


Figure 31

OPERATION

Double Bagger Usage

NOTE: When both grass bags are full, place the tractor on a firm, level surface, disengage the PTO, turn the tractor engine off and set the parking brake.

1. Open bagger cover by pushing in on the rear side tabs with your hand (1), and lifting the cover with your other hand in the center rear of the bagger cover (2) as shown in Figure 32.
2. Do not remove the hose from the tractor.
3. Remove both bag assemblies from the hanger rails by lifting the back edge up first, and then sliding the front edge out and up until it is clear of the frame. See Figure 33.
4. Empty the grass clippings at a proper disposal site, use the handle at the bottom of each grass bag. Holding the bag firmly, empty the contents.
5. Replace grass bags, close lid, flip down seat, restart your tractor, release parking brake and resume cutting your grass.

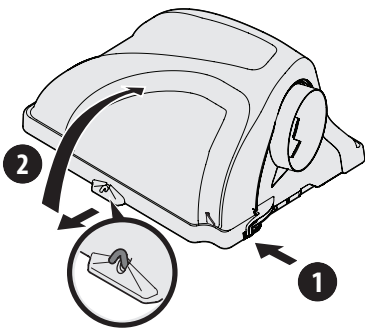


Figure 32

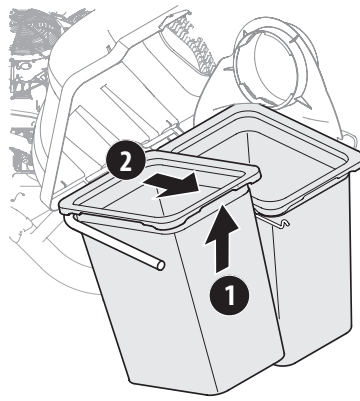


Figure 33

CUB CADET LLC

MANUFACTURER'S LIMITED WARRANTY

FOR SEPARATELY SOLD ATTACHMENTS AND ACCESSORIES

IMPORTANT: To obtain warranty coverage owner may be required to present an original proof of purchase and applicable maintenance records to the servicing dealer. Please see the operator's manual for information on required maintenance and service intervals.

The limited warranty set forth below is given by Cub Cadet LLC with respect to new merchandise purchased or leased and used in the United States and/or its territories and possessions, and by MTD Products Limited with respect to new merchandise purchased or leased and used in Canada and/or its territories and possessions (either entity respectively, "Cub Cadet").

Cub Cadet warrants this product (excluding its *Normal Wear Parts*, as described below) against defects in material and workmanship for a period of two (2) years commencing on the date of original retail purchase or lease and will, at its option, repair or replace, free of charge, any part found to be defective in materials or workmanship.

Normal Wear Parts are warranted to be free from defects in material and workmanship for a period of thirty (30) days from the date of original purchase or lease. Normal wear parts include, but are not limited to items such as: belts, blades, blade adapters, grass bags, rider deck wheels, seats and tires.

This limited warranty shall only apply if this product has been operated and maintained in accordance with the Operator's Manual furnished with the product, and has not been subject to misuse, abuse, neglect, accident, improper maintenance, alteration, vandalism, theft, fire, water or damage because of other peril or natural disaster. Damage resulting from the installation or use of any part, accessory or attachment not approved by Cub Cadet for use with the product(s) covered by this manual will void your warranty as to any resulting damage. In addition, Cub Cadet may deny warranty coverage if the hour meter, or any part thereof, is altered, modified, disconnected or otherwise tampered with.

HOW TO OBTAIN SERVICE: Warranty service is available, WITH PROOF OF PURCHASE AND APPLICABLE MAINTENANCE RECORDS, through your local authorized service dealer. To locate the dealer in your area:

In the U.S.A.

Check your Yellow Pages, or contact Cub Cadet LLC at P.O. Box 361131, Cleveland, Ohio 44136-0019, call 1-877-282- 8684 or log on to our website at www.cubcadet.com.

In Canada

Contact MTD Products Limited, Kitchener, ON N2G 4J1, call 1-800-668-1238 or log on to our website at www.mtdcanada.com.

Without limiting the foregoing, this limited warranty does not provide coverage in the following cases:

- a. Routine maintenance items such as lubricants, filters, blade sharpening, tune-ups, brake adjustments, clutch adjustments, deck adjustments, and normal deterioration of the exterior finish due to use or exposure.
- b. Service completed by someone other than an authorized service dealer.
- c. Cub Cadet does not extend any warranty for products sold or exported outside of the United States and/or Canada, and their respective possessions and territories, except those sold through Cub Cadet's authorized channels of export distribution.
- d. Replacement parts and/or accessories that are not genuine Cub Cadet parts.
- e. Transportation charges and service calls.
- f. Commercial or Institutional Use.

There are no implied warranties, including without limitation any implied warranty of merchantability or fitness for a particular purpose. No warranties shall apply after the applicable period of express written warranty above. No other express warranties beyond those mentioned above, given by any person or entity, including a dealer or retailer, with respect to any product, shall bind Cub Cadet. The exclusive remedy is repair or replacement of the product as set forth above.

The terms of this warranty provide the sole and exclusive remedy arising from the sale and/or lease of the products covered hereby. Cub Cadet shall not be liable for any incidental or consequential loss or damage including, without limitation, expenses incurred for substitute or replacement lawn care services or for rental expenses to temporarily replace a warranted product.

Some jurisdictions do not allow the exclusion or limitation of incidental or consequential damages, or limitations on how long an implied warranty lasts, so the above exclusions or limitations may not apply to you.

In no event shall recovery of any kind be greater than the amount of the purchase price of the product sold. **Alteration of safety features of the product shall void this warranty.** You assume the risk and liability for loss, damage, or injury to you and your property and/or to others and their property arising out of the misuse or inability to use the product.

This limited warranty shall not extend to anyone other than the original purchaser or to the person for whom it was purchased as a gift.

HOW LOCAL LAWS RELATE TO THIS WARRANTY: This limited warranty gives you specific legal rights, and you may also have other rights that vary in different jurisdictions.

Cub Cadet LLC, P.O. BOX 361131 CLEVELAND, OHIO 44136-0019, Phone: 1-877-282-8684
MTD Products Limited, Kitchener, ON N2G 4J1, Phone: 1-800-668-1238

Cub Cadet®

MANUAL DEL OPERADOR

Embolsadoras posteriores Modelo N.º 19B70054* and 19B70055*

Registro de información de producto

Antes de configurar y hacer funcionar su equipo nuevo, por favor localice la placa de modelo en el equipo y registre la información en el espacio de la derecha. Podrá localizar la placa de modelo en la parte exterior de la cubierta de la embolsadora. La placa de modelo contiene los números de serie y de modelo de la unidad. Necesitará esta información si tiene que solicitar soporte técnico a través de nuestro sitio web, el Servicio de Atención al Cliente, o de un distribuidor local de servicio autorizado.

NÚMERO DE MODELO

--	--	--	--	--	--	--	--	--	--	--	--

NÚMERO DE SERIE

--	--	--	--	--	--	--	--	--	--	--	--

Índice

<i>Medidas de seguridad</i>	12	<i>Funcionamiento</i>	19
<i>Contenido de la caja</i>	14	<i>Garantía</i>	20
<i>Armado e instalación</i>	16	<i>Français</i>	21

⚠ ADVERTENCIA

Lea y observe todas las normas e instrucciones de seguridad incluidas en este manual antes de poner en funcionamiento la máquina. Si no sigue estas instrucciones puede provocar lesiones personales.

⚠ ADVERTENCIA

Proposición 65 de California

Este producto contiene una sustancia química que según el Estado de California puede producir cáncer, defectos de nacimiento u otros problemas reproductivos.

NOTA: Este manual de operación corresponde a numerosos modelos. Las características técnicas pueden variar según los modelos. No todas las características técnicas que se incluyen en este manual se aplican a todos los modelos y la máquina que se ilustra aquí puede diferir de la suya.

MEDIDAS DE SEGURIDAD

▲ ADVERTENCIA

▲ Este símbolo indica instrucciones de seguridad importantes que, de no seguirse, podrían poner en peligro la seguridad personal y/o la propiedad suya y de terceros. Lea y cumpla todas las instrucciones de este manual antes de intentar hacer funcionar esta tractora. Si no sigue estas instrucciones, se pueden provocar lesiones personales. Cuando vea este símbolo. ¡TENGA EN CUENTA LA ADVERTENCIA!

▲ ADVERTENCIA

Este accesorio está diseñado para ser usado respetando las normas de seguridad contenidas en este manual. Un descuido o un error por parte del operador puede ocasionar lesiones graves. Una cortadora es capaz de amputar manos y pies y de arrojar objetos con gran fuerza. Si no se respetan las siguientes instrucciones de seguridad junto con las instrucciones suministradas con la cortadora, se pueden ocasionar lesiones graves e incluso la muerte.

Funcionamiento general

1. Lea, comprenda y respete todas las instrucciones que figuran en el equipo y en los manuales antes de intentar armarlo y hacerlo funcionar. Guarde este manual en un lugar seguro para consultas futuras y periódicas, así como para solicitar repuestos.
2. Para ayudar a evitar una lesión por contacto con las cuchillas o con un objeto que sea arrojado, mantenga a los observadores, a los ayudantes, a niños y mascotas alejados a no menos de 75 pies de la cortadora mientras está funcionando. Pare la tractora si alguien ingresa a la zona.
3. Revise minuciosamente el área donde se va a usar el equipo. Saque todas las piedras, palos, cables, huesos, juguetes y demás objetos extraños que puedan ser recogidos y arrojados por las cuchilla(s). Los objetos arrojados por la tractora pueden producir lesiones personales graves.
4. Para protegerse los ojos, utilice siempre anteojos o antiparras de seguridad durante la operación o mientras realiza ajustes o reparaciones. Los objetos arrojados que rebotan pueden producir lesiones graves en los ojos.
5. Nunca opere la cortadora de césped si no está bien colocada la cubierta de descarga o el colector de césped completo. Si falta la cubierta de descarga o está dañada o un componente del accesorio de embolsadora falta, se pueden producir lesiones por contacto con la cuchilla o con objetos arrojados.
6. No ponga las manos ni los pies cerca de las piezas rotatorias ni debajo de la plataforma de corte. El contacto con las cuchilla(s) puede amputar manos y pies.
7. Apague el motor de la cortadora de césped y espere que las cuchillas se detengan totalmente antes de desbloquear la abertura de descarga de la cortadora o las piezas de la embolsadora.
8. Reduzca la velocidad antes de girar. Haga funcionar la tractora de manera uniforme. Evite que funcione de manera errática y a excesiva velocidad. Tenga en cuenta que el accesorio colector de césped puede afectar las características de manejo de su cortadora.
9. Desenganche la o las cuchilla(s), coloque el freno de mano, detenga el motor y espere hasta que las cuchillas se detengan totalmente antes de abrir la cubierta superior del accesorio embolsador, sacar el colector de césped, vaciar los recortes, desbloquear el canal, retirar cualquier residuo o desecho o realizar cualquier ajuste. Nunca deje la tractora encendida sin atención. Siempre desconecte las cuchillas, ponga la transmisión en punto muerto, ponga el freno de mano, detenga el motor y retire la llave antes de bajarse del vehículo.
10. Su tractora está diseñada para cortar césped residencial normal. No intente cortar césped demasiado crecido, seco (como un pastizal) ni pilas de hojas secas. El césped o las hojas secas pueden entrar en contacto con el escape del motor y/o acumularse en la plataforma de corte presentando un potencial peligro de incendio.
11. Si se presentan situaciones que no están previstas en este manual, tenga cuidado y use el sentido común. Póngase en contacto con su representante de atención al cliente para obtener ayuda.



Operación en pendientes

Las pendientes son un factor importante en los accidentes ocasionados por pérdida de control y vuelcos que pueden causar lesiones graves e incluso la muerte. Los accesorios también pueden afectar la estabilidad de la tractora. Todas las pendientes requieren precaución extra.

Para su seguridad, use el medidor de pendientes que se incluye como parte de este manual para calcular el ángulo de las pendientes antes de hacer funcionar la tractora en una zona accidentada. Si la pendiente aparece como mayor de 10 grados o 17 porcentaje en el medidor, no haga funcionar la cortadora con el accesorio para bolsas de césped en ese sector, pues podría causar lesiones graves.

Símbolos de seguridad

En esta tabla se presentan y describen los símbolos de seguridad que pueden aparecer en este producto. Lea, entienda y cumpla todas las instrucciones incluidas en la tractora antes de intentar realizar el montaje de la unidad y utilizarla.

Símbolo	Descripción
	LEER EL/LOS MANUAL(ES) DEL OPERADOR Lea, entienda y cumpla todas las instrucciones incluidas en los manuales antes de realizar el montaje de la unidad y de utilizarla.
	DETENGA Apague el motor antes de abrir la cubierta de la embolsadora.

▲ ADVERTENCIA

Su Responsabilidad--Sólo permita que usen esta tractora eléctrica las personas que lean, comprendan y respeten las advertencias e instrucciones que aparecen en este manual y en la tractora.

¡GUARDE ESTAS INSTRUCCIONES!

Indicador de pendiente

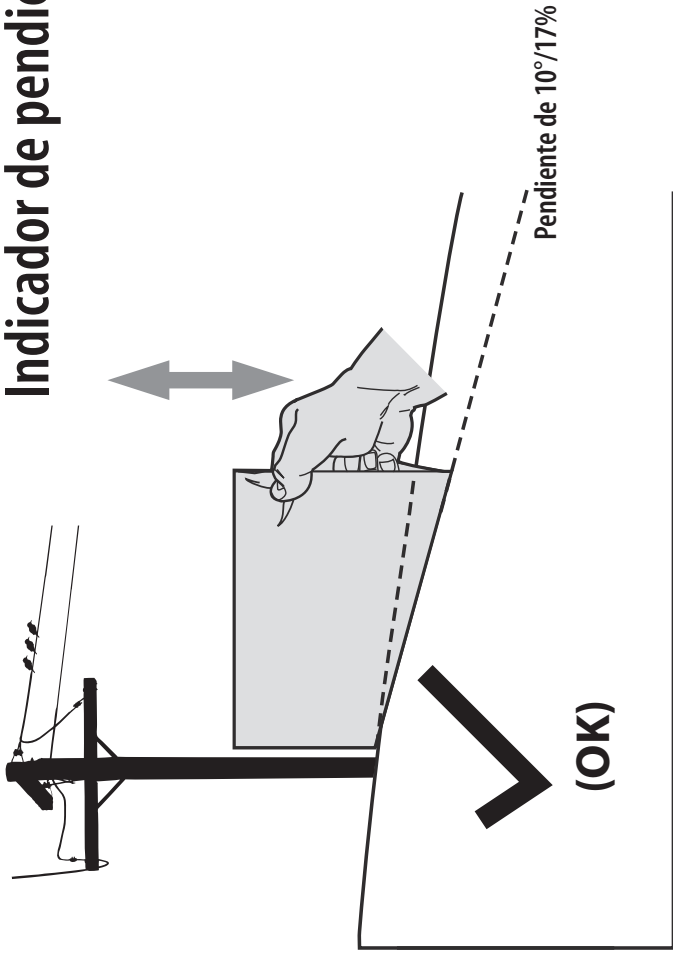


Figura 1

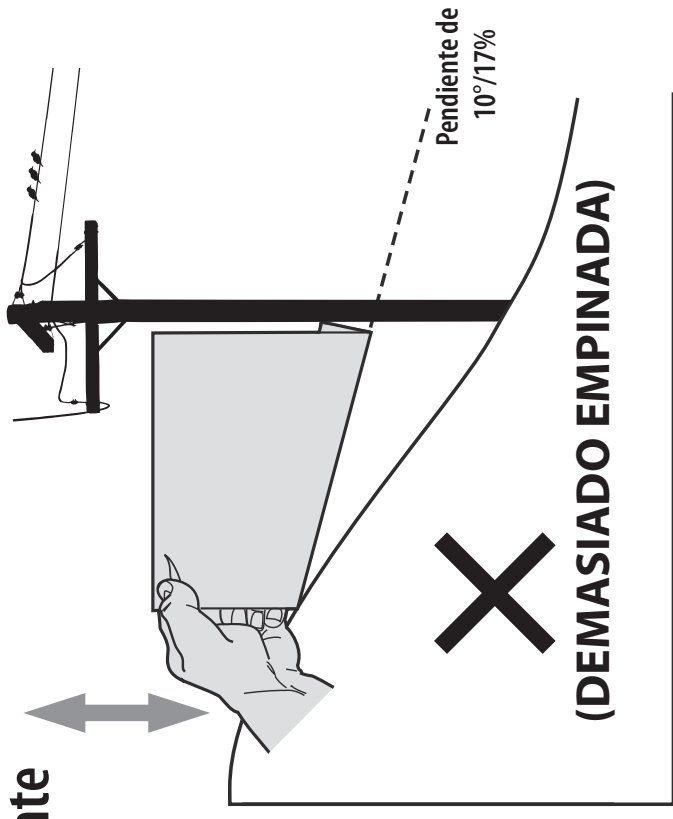


Figura 2

Línea de guiones a 10°/17%

¡UTILICE ESTE INDICADOR DE PENDIENTE PARA DETERMINAR SI UNA PENDIENTE ES DEMASIADO EMPINADA PARA OPERAR CON SEGURIDAD!

Para comprobar la pendiente, proceda de la siguiente manera:

1. Retire esta página y plieguela por la línea de guiones.
2. Ubique un objeto vertical que esté sobre la pendiente o detrás de la misma (por ejemplo, un poste, un edificio, un cerco, un árbol, etc.)
3. Alinee uno de los dos lados del indicador de pendiente con el objeto (vea las Figuras 1 y 2).
4. Ajuste el indicador hacia arriba o hacia abajo hasta que la esquina izquierda toque la pendiente (vea las Figuras 1 y 2).
5. Si hay una separación debajo del indicador, la pendiente es demasiado empinada para operar con seguridad (vea la Figura 2 anterior).

▲ ADVERTENCIA

Las pendientes son un factor importante relacionado con accidentes por tumbos y vuelcos que pueden producir lesiones graves o la muerte. No utilice la tractora en pendientes de más de 10 grados. Todas las pendientes requieren precaución extra. Si no puede retroceder por la pendiente o si no se siente seguro, no realice ningún corte. Siempre corte hacia arriba y hacia abajo de las pendientes, nunca de manera transversal.

CONTENIDO DE LA CAJA

Muchas gracias

Gracias por comprar el accesorio de embolsado fabricado. Ha sido cuidadosamente diseñado para brindar excelente rendimiento si se lo hace funcionar y se lo mantiene correctamente.

Por favor lea todo este manual antes de hacer funcionar el equipo. El manual le indica cómo configurar, operar y mantener el equipo de manera fácil y segura. Por favor asegúrese de que usted, y cualquier otra persona que utilice la máquina, siga atentamente y en todo momento las medidas de seguridad recomendadas. De lo contrario, se podrían producir lesiones personales o daños materiales.

Toda la información contenida en este manual hace referencia a la más reciente información de producto disponible en el momento de la impresión. Revise el manual frecuentemente para familiarizarse con el equipo, sus características y funcionamiento. Por favor tenga en cuenta que este Manual del Operador puede abarcar una variedad de especificaciones de producto para diversos modelos. Es posible que las características y/o funciones incluidas y/o ilustradas en este manual no se apliquen a todos los modelos. Nos reservamos el derecho de modificar las especificaciones de los productos, diseños y equipos sin previo aviso y sin generar responsabilidad por obligaciones de ningún tipo.

Si tiene algún problema o duda con respecto a este equipo, llame a su distribuidor local o comuníquese directamente con nosotros. Queremos garantizar su entera satisfacción en todo momento.

En este manual, todas las referencias al lado derecho e izquierdo de la máquina se hacen observándola desde la posición de operación.

42"/46" Embolsadora doble

Antes de comenzar la instalación, retire todas las piezas de la caja para asegurarse de que tiene todo. El contenido de la caja se indica a continuación y se ilustra en la Figura 1. Los paquetes de herrajes incluidos en este kit se detallan al final de esta sección.

- Conjunto de maletero - 731-09329A
- Conjunto de bolsas para césped (2) - 664-05104
- Soporte vertical - 683-04519C
- Soporte del paracaídas superior - 731-17091
- Ensamblaje del colgador - 683-04461C
- Tapones de extremo (4) - 735-0246A (preinstalado)
- Cubierta de la embolsadora - 631-04292
- Manguera - 764-05082
- Pantalla - 731-06504
- Conexión de manguera inferior - 731-12353A (preinstalado)
- Pasador de bisagra - 711-04988
- Soporte del adaptador - 789-02518
- Soporte del adaptador de enganche - 789-02298
- Peso de la embolsadora RZT - 719-04271A
- Placas de peso (3) - 789-02137
- Soporte de colgador de pesas, izquierdo - 789-02197
- Soporte de colgador de pesas, derecho - 789-02198
- Paquete de herrajes - 689-01419
- Paquete del accesorio de embolsadora - 689-00636
- Bandas adhesivas contra marcas - 777X52246

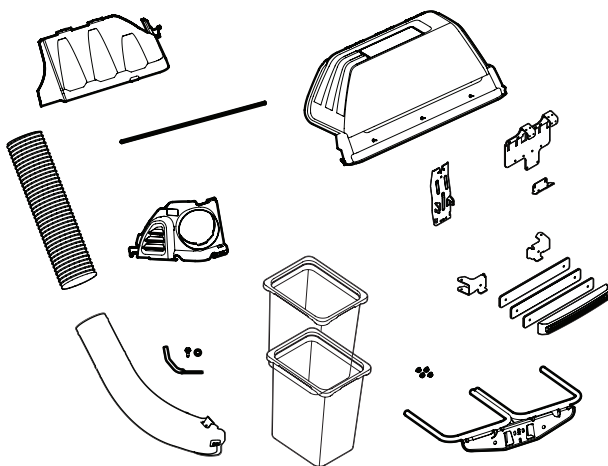


Figura 1

50"/54" Embolsadora doble

Antes de comenzar la instalación, retire todas las piezas de la caja para asegurarse de que tiene todo. El contenido de la caja se indica a continuación y se ilustra en la Figura 2. Los paquetes de herrajes incluidos en este kit se detallan al final de esta sección.

- Conjunto de maletero - 631-09698
- Conjunto de bolsas para césped (2) - 664-05104
- Soporte vertical - 683-04519C
- Soporte del paracaídas superior - 731-17091
- Ensamblaje del colgador - 683-04461C
- Adaptador de vertedero - 731-10133
- Tapones de extremo (4) - 735-0246A (preinstalado)
- Cubierta de la embolsadora - 631-04292
- Manguera - 764-05082
- Pantalla - 731-06504
- Conexión de manguera inferior - 731-12353A (preinstalado)
- Pasador de bisagra - 711-04988
- Soporte del adaptador - 789-02518
- Soporte del adaptador de enganche - 789-02298
- Peso de la embolsadora RZT - 719-04271A
- Placas de peso (3) - 789-02137
- Soporte de colgador de pesas, izquierdo - 789-02197
- Soporte de colgador de pesas, derecho - 789-02198
- Paquete de herrajes - 689-01419
- Paquete del accesorio de embolsadora - 689-02199
- Bandas adhesivas contra marcas - 777X52246

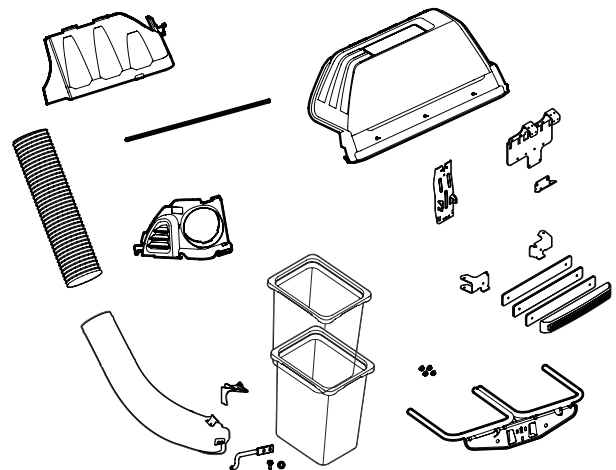


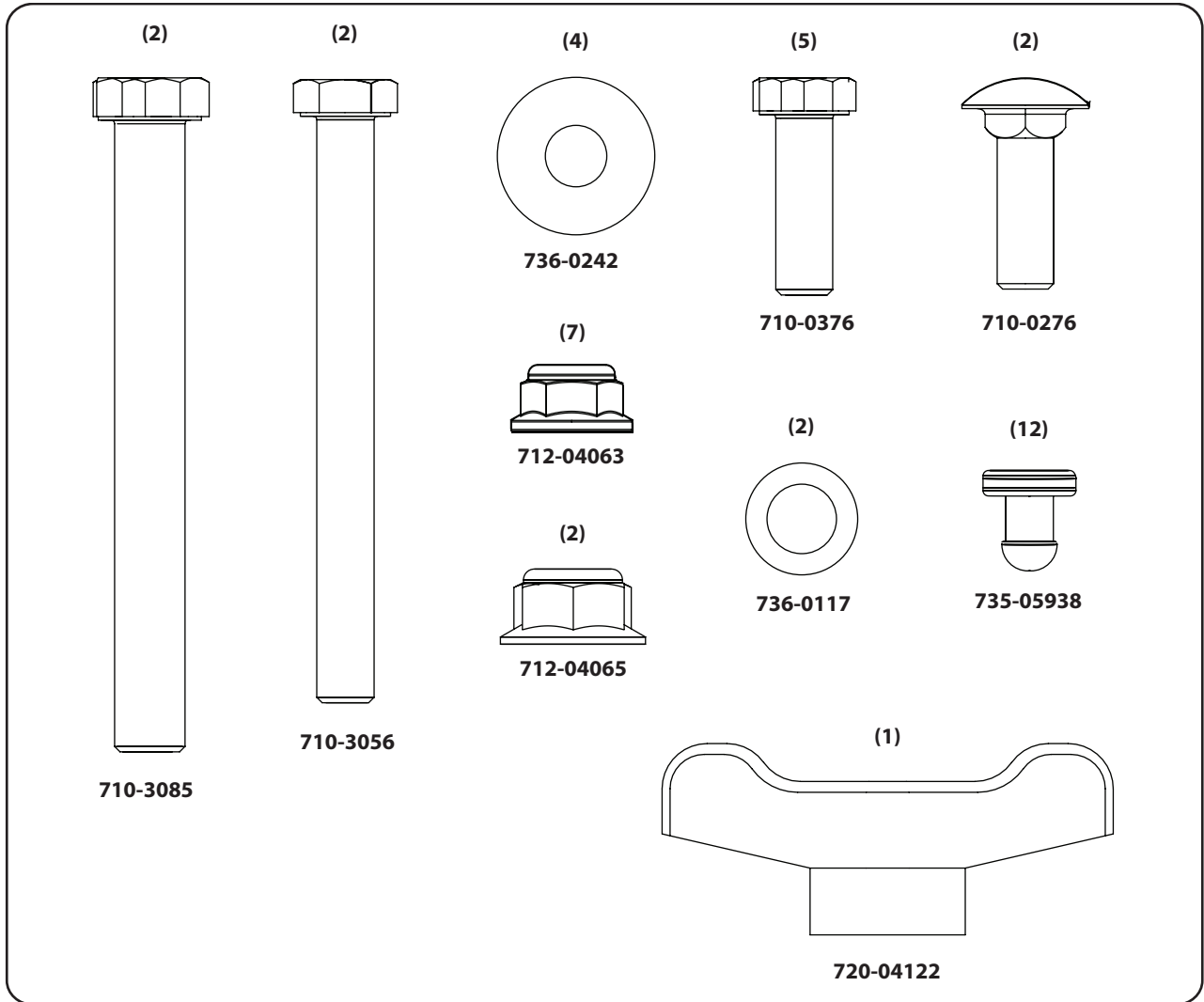
Figura 2

CONTENIDO DE LA CAJA

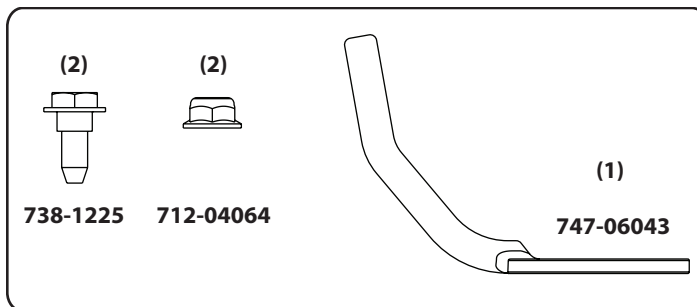
Contenido del paquete de herrajes

Por favor revise el contenido de los paquetes de herrajes con las ilustraciones siguientes. Las cantidades para cada elemento aparecen entre paréntesis.

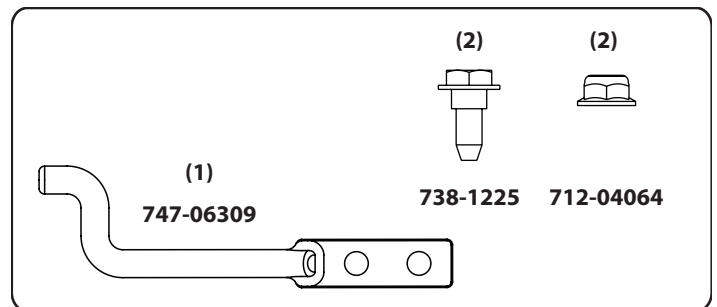
Paquete de herrajes 689-01419



Paquete del accesorio de embolsadora de 42"/46" 689-00636



Paquete del accesorio de embolsadora de 50"/54" 689-02199



ARMADO E INSTALACIÓN

NOTA: Las referencias a la izquierda, derecha, parte delantera y trasera del tractor están desde la posición del operador, salvo indicación en contrario.

- Antes de armar, coloque el tractor sobre una superficie firme y nivelada, desenganche la toma de fuerza PTO, detenga el motor del tractor y coloque el freno de mano.

Arme las ménsulas de soporte

1. Coloque las 12 almohadillas de caucho (735-05938) en el soporte adaptador (789-02518) utilizando los orificios de montaje que se muestran en la Figura 3.

NOTA: Verifique los protectores de los paragolpes después de cada estación para detectar si hay desgaste excesivo, y reemplace según sea necesario.

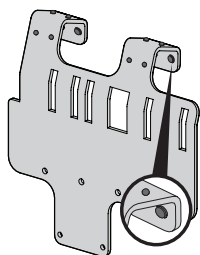


Figura 3

Coloque el conjunto de soporte en el tractor

NOTA: Al armar este conjunto de montaje, conviene no ajustar totalmente el soporte todavía. Esto facilitará el proceso de armado más adelante, cuando sea necesario ajustar a fondo este conjunto de montaje.

Instale el conjunto de soporte de montaje en el tractor de la siguiente manera:

1. Extraiga el soporte de enganche.
 2. Coloque dos arandelas (736-0117) entre el adaptador del soporte de enganche (789-02298) y el soporte de enganche que se extrajo en el Paso 1.
 3. Coloque el conjunto de soporte en el bastidor inferior del tractor con dos tornillos de cabeza (710-0376). Consulte la Figura 4.
 4. Cuelgue el conjunto del soporte del adaptador en el tubo del bastidor superior y conecte al adaptador del soporte de enganche (789-02298) con dos tornillos (710-0376), dos arandelas de cubeta (736-0242) y dos tuercas de seguridad de brida (710-04063). Consulte Figura 5.
- NOTA:** Compruebe que el soporte del adaptador quede firmemente asentado en el bastidor de tubo superior.
5. Apriete todos los herrajes que se instalan en este momento.

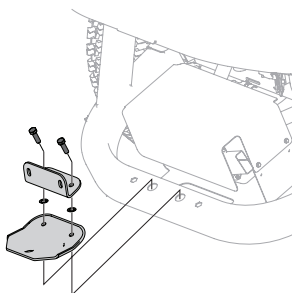


Figura 4

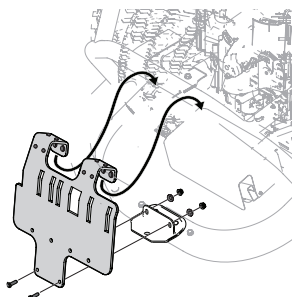


Figura 5

Coloque el soporte vertical

NOTA: Este manual abarca diversas configuraciones de embolsadora. Siga las instrucciones aplicables a su máquina.

1. Con la Figura 6 y el cuadro a continuación, localice la ubicación del orificio de montaje correcto en el soporte de montaje para su tractor:

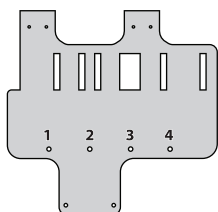


Figura 6

Modelo Núm.	Descripción	Posición
19B70054*	Embolsadora doble de 42"/46"	4
19B70055*	Embolsadora doble de 50"/54"	3

NOTA: La posición de orificio 2 actualmente no está en uso.

2. Instale la ménsula de soporte vertical (683-04519C) en el conjunto de montaje sobre el tractor enganchándolo encima del conjunto de montaje tal como se muestra en la Figura 7.
3. Fije el ensamblaje del colgador a la unidad de montaje con un perno hexagonal (710-0376) y una tuerca de seguridad con brida (712-04063) que viene con el paquete de herrajes 689-01419. Consulte la Figura 7.

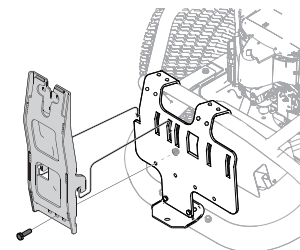


Figura 7

Instale el conjunto de colgador

1. Instale y asegure el ensamblaje del colgador (683-04461C) en el soporte vertical usando dos pernos de carro (710-0276), dos arandelas de copa (736-0242) y dos tuercas de bloqueo de brida (712-04063) del paquete de herrajes 689-01419. Consulte la Figura 8.

NOTA: Los tornillos del carro (710-0276), del paquete de herrajes 689-01419, van en el agujero superior con la tuerca hacia el motor. El perno hexagonal (710-0376), del mismo paquete de herramientas, va en el agujero inferior.

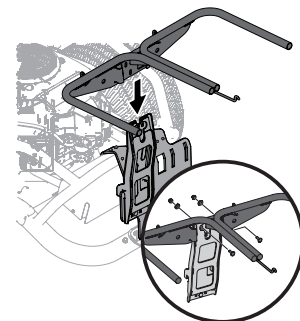


Figura 8

Coloque los componentes de la embolsadora

Con las ménsulas de soporte ensambladas y en su lugar en el tractor, siga estos pasos para ensamblar los componentes restantes de la embolsadora.

1. Coloque a presión el soporte del canal plástico superior en su lugar primero cortando la porción lateral hacia el riel de soporte de la embolsadora (1) como se indica en la Figura 9.
2. Calce a presión el lado delantero del soporte del canal al riel (2), como se muestra en la Figura 9.
3. Si no viene armado de fábrica, coloque la pantalla de la embolsadora (731-06504) en la cubierta de la misma (631-04292) insertando primero un extremo en el orificio de montaje de corte correspondiente (1). Sujete el otro lado de la pantalla flexionándola y empujándola dentro del recorte del lado contrario. Consulte la Figura 10.
4. Asegúrese de que la pantalla quede debajo del borde de la cubierta (2). Consulte la Figura 11.
5. Instale la cubierta del embolsador en el ensamblaje del colgador, como se ve en la Figura 12. La cubierta va dentro de las dos lengüetas de montaje.

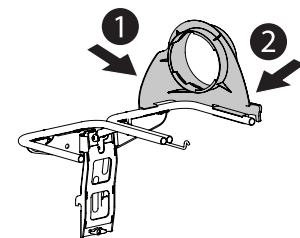


Figura 9

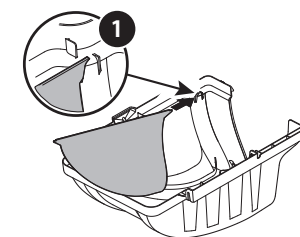
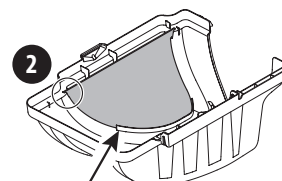


Figura 10



Asegúrate de que la pantalla se asiente bajo el labio de la cubierta

Figura 11

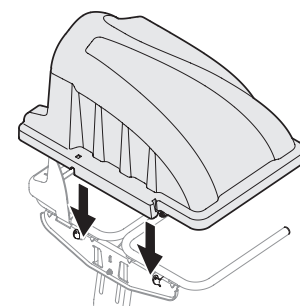


Figura 12

ARMADO E INSTALACIÓN

- Deslice el pasador de bisagra en el orificio ubicado en la lengüeta de montaje, como se indica en la Figura 13. Use la ventana recortada (recuadro) para alinear el pasador de bisagra del otro lado y oprímalo a fondo hasta que llegue al tope. En este punto el pasador calza en su posición y queda asegurado por una lengüeta en la cubierta de la embolsadora. Vea los insertos en la Figura 14.

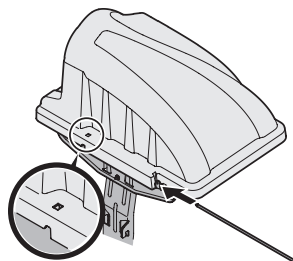


Figura 13

- Abra la cubierta de la embolsadora oprimiendo hacia adentro la lengüeta posterior derecha con la mano derecha y levantando la cubierta con la mano izquierda en el centro de la parte posterior de la cubierta de la embolsadora (2) como se muestra en Figura 15.

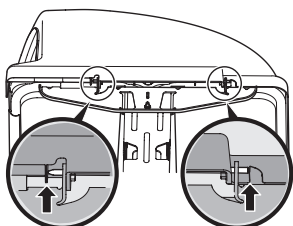


Figura 14

- Instale ambos conjuntos de bolsas (664-05104) en rieles de montaje del colgador insertando primero el borde delantero, como se ve en (1) de la Figura 16, y bajando el borde posterior hasta que calce en el conjunto (2).

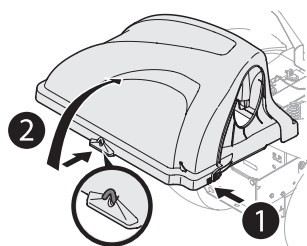


Figura 15

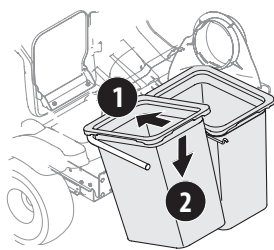


Figura 16

Instalación de la barra de arranque y el hardware

Modelo 19B70054*:

- Desde el interior de la bota, coloque los dos tornillos de cabeza hexagonal (738-1225) del paquete de herrajes 689-00636, a través de los orificios en la parte inferior delantera de la bota. Consulte la Figura 17.
- Coloque la varilla de montaje (747-06043), en su lugar sobre los tornillos de cabeza hexagonal. Asegúrate de que la punta de la varilla esté hacia afuera desde la bota. Consulte la Figura 17.
- Comience a enroscar las tuercas de seguridad de la brida (712-04064) en los tornillos de cabeza hexagonal. Consulte la Figura 17.
- Usando una llave o un zócalo de 7/16" en el tornillo y una llave de caja de 7/16" en las tuercas lock, apriete hacia abajo para que la brida quede al ras para asegurar asegure el ensamblaje.

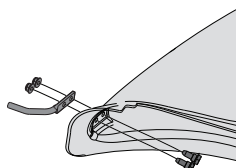


Figura 17

Modelo 19B70055*:

- Desde el interior de la bota, coloque los dos tornillos de cabeza hexagonal (738-1225) del paquete de herrajes 689-02199, a través de los orificios en la parte inferior delantera de la bota. Consulte la Figura 18.
- Coloque la varilla de montaje (747-06309) en su lugar sobre los tornillos de cabeza hexagonal. Asegúrate de que la punta de la varilla esté hacia afuera desde la bota. Consulte la Figura 18.

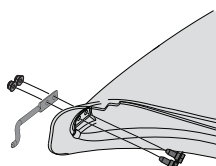


Figura 18

- Comience a enroscar las tuercas de seguridad de la brida (712-04064) en los tornillos de cabeza hexagonal. Consulte la Figura 18.
- Usando una llave o un zócalo de 7/16" en el tornillo y una llave de caja de 7/16" en las tuercas lock, apriete hacia abajo para que la brida quede al ras para asegurar asegure el ensamblaje.

Instalando la bota - doble embolsadora (42"/46")

- Con el canalón de descarga del tractor levantado y mantenido abierto (1), instale el maletero colocando la barra de montaje del maletero en la pestaña de montaje del canalón (2), como se muestra en Figura 19.
- Fije el codo del canal de descarga en la plataforma de corte usando una perilla de aletas (720-04122) del paquete de herrajes 689-01419. Ver inserto en la Figura 20.

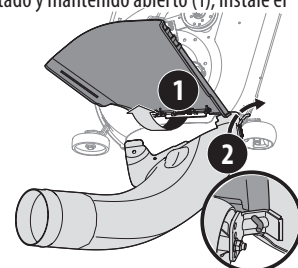


Figura 19

NOTA: Si está presente, quite la tapa protectora del perno de montaje de la plataforma de corte, como se muestra en el inserto superior de Figura 20.

¡IMPORTANTE! Asegúrese de que la parte inferior del canal de descarga esté ubicada dentro del reborde de la abertura de la plataforma, como se indican en la Figura 21.

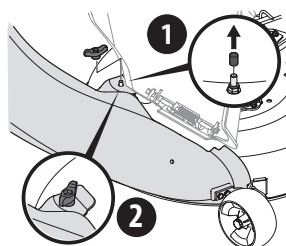


Figura 20

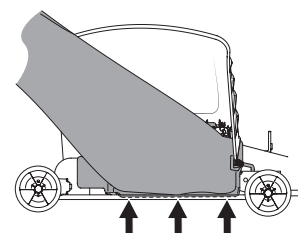


Figura 21

Instalando la bota - doble embolsadora (50"/54")

Quando se instala la bota hay dos instrucciones de instalación diferentes. Para las unidades de plataforma fabricadas de 54", el codo del bota se monta directamente en la plataforma de corte. Para las plataformas estampadas de 50" y 54", en primer lugar se debe instalar un adaptador. Asegúrese de seguir las instrucciones correspondientes a la unidad en la que está instalando esta embolsadora.

Unidades de plataforma fabricada de 54":

- Eleve la plataforma a la posición más alta.
- Levante el deflector del canal sobre la plataforma y sosténgalo mientras ubica la bota sobre la abertura del canal.
- Inserte el extremo del codo del bota (2) en el orificio suministrado en el montaje de rueda de la plataforma tal como se muestra en el inserto de Figura 22.
- Gire la bota hacia atrás hasta que el orificio del codo del bota se alinee con el pasador de la plataforma. Mueva la bota hacia abajo hacia ese pasador como se muestra en (3) de la Figura 22.
- Fije la bota en la plataforma de corte usando una perilla de aletas (720-04122) a partir de el paquete de herrajes 689-01419. Consulte la Figura 23.

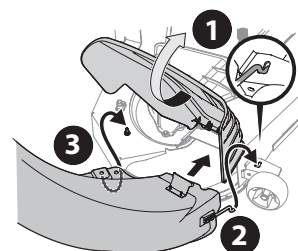


Figura 22

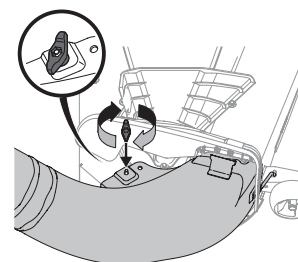


Figura 23

ARMADO E INSTALACIÓN

Unidades de plataforma fabricada de 54":

1. Eleve la plataforma a la posición más alta.
2. Retire el tapón protector de goma del pasador de plataforma, (1) en la Figura 24.
3. Eleve el deflector del canal (2) sobre la plataforma y sosténgalo mientras instala el adaptador de canal (731-10133) (3), sobre la plataforma como se muestra en la Figura 24.
4. Inserte el extremo del codo del bota (1) en el orificio suministrado en el montaje de rueda de la plataforma tal como se muestra en el recuadro de la Figura 25.
5. Gire la bota hacia atrás hasta que el orificio del bota se alinee con el pasador del adaptador de plataforma. Mueva la bota hacia abajo hacia ese pasador como se muestra en (2) de la Figura 25.
6. Fije el codo del canal de descarga en la plataforma de corte usando una perilla de aletas (720-04122) a partir de el paquete de herrajes 689-01419. Consulte la Figura 26.

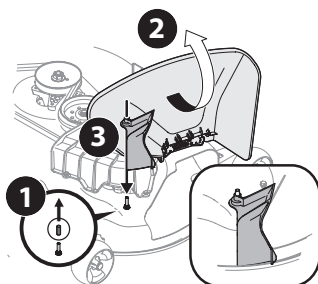


Figura 24

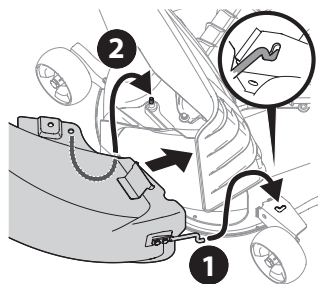


Figura 25

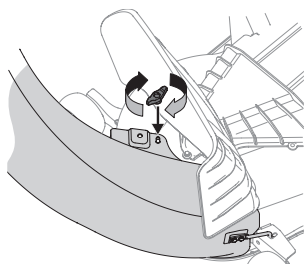


Figura 26

Instalar la manguera

1. Enrosque el lado final superior del manguera (764-05082) en forma segura, en el soporte superior del canal. Existen dos lengüetas en el lado bajo interno del soporte del canal superior que permiten un enrosque seguro. Consulte la Figura 27.
- NOTA:** La manguera y el soporte superior del mismo, están **enroscados hacia la mano izquierda**. Enrosque en sentido contrario a las agujas del reloj hasta asegurarlo.
2. Levántelo con las manijas de la parte de abajo del manguera. Deslice la manguera sobre el codo del canal montado en la plataforma de corte, como se muestra en la Figura 28.
 3. Asegúrese que la conexión es segura y que no hay espacios entre la manguera y la bota.
 4. Si está abierta, cierre la cubierta del colector de césped, previo al corte de césped.

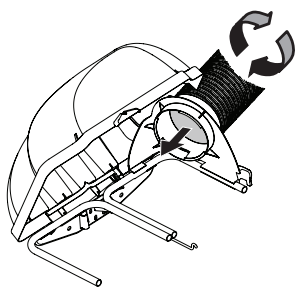


Figura 27

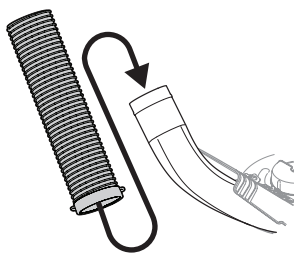


Figura 28

Instale el contrapeso

⚠ ADVERTENCIA

Este kit de contrapeso delantero se necesita cuando se utiliza cualquiera de los modelos tractor con giro cero compatibles y equipados con un colector de césped. Si no se instala este kit, se pueden provocar lesiones graves o la muerte.

⚠ ADVERTENCIA

Antes de comenzar la instalación, coloque el tractor con giro cero sobre una superficie firme y nivelada, coloque el freno de mano, coloque la toma de fuerza (PTO) en la posición desconectada (OFF), detenga el motor y quite la llave de encendido para impedir el arranque accidental.

1. Antes del ensamblado, despegue las calcomanías adhesivas de la hoja y aplíquelas a las superficies interiores de los soportes del colgador de pesas del lado derecho e izquierdo, como se muestra en la Figura 29.
2. Sujete la pesa y tres platillos de pesar a los soportes del colgador de pesas con dos tornillos de cabeza hexagonal de 3/8" (710-3085) y dos tuercas (712-04065) como se muestra en la Figura 30.
3. Centre visualmente el conjunto de barra de pesas en el tractor y con dos tornillos de cabeza hexagonal de 7/16" (710-3056) y dos tuercas (712-04063) sujete el conjunto de contrapeso al tractor como se indica en la Figura 31.

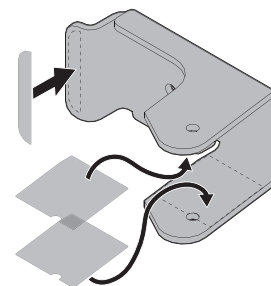


Figura 29

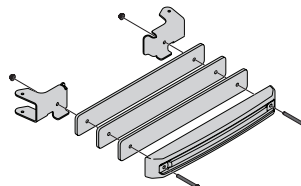


Figura 30

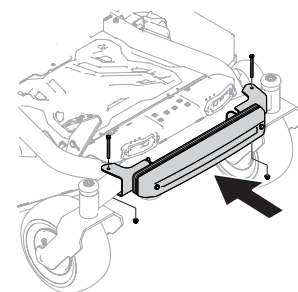


Figura 31

FUNCIONAMIENTO

Uso de la embolsadora doble

NOTA: Cuando las dos bolsas para césped estén llenas, coloque el tractor sobre una superficie firme y nivelada, desembrague la toma de fuerza (PTO), apague el motor del tractor y coloque el freno de mano.

1. Abra la cubierta de la embolsadora oprimiendo las lengüetas laterales traseras con la mano (1) y elevando la cubierta con la otra mano en la parte central trasera de la cubierta de la embolsadora (2) como se indica en la Figura 32.
2. No retire la mangueta del canal del tractor.
3. Extraiga ambos conjuntos de bolsas de las ménsulas de soporte para bolsas, para lo cual debe levantar el borde trasero primero y luego deslizar el borde delantero hacia fuera y arriba hasta que se aleje del bastidor. Consulte la Figura 33.
4. Vacíe los recortes de césped en un predio de disposición adecuado, use la manija de abajo de cada bolsa de césped. Para vaciar el contenido sostenga firmemente la bolsa.
5. Vuelva a colocar las bolsas para césped, cierre la tapa, voltee el asiento hacia abajo, vuelva a arrancar el tractor, saque el freno de mano y reanude el corte de césped.

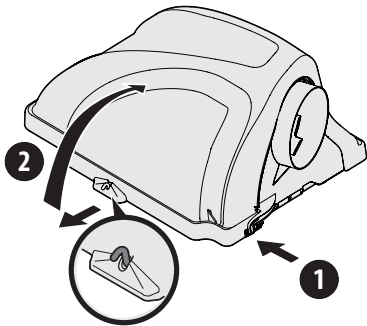


Figura 32

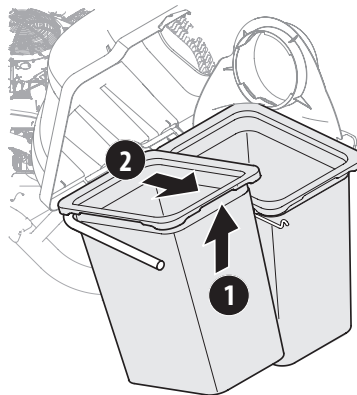


Figura 33

CUB CADET LLC

GARANTÍA LIMITADA DEL FABRICANTE

PARA ACCESORIOS Y ELEMENTOS QUE SE VENDEN POR SEPARADO

IMPORTANTE: Para obtener cobertura de garantía, el propietario debe presentar el comprobante de compra original y los registros de mantenimiento correspondientes al centro de servicio técnico autorizado del distribuidor. Consulte el manual del operador para obtener información sobre los intervalos de mantenimiento y servicio requeridos.

La siguiente garantía limitada es otorgada por Cub Cadet LLC con respecto a nuevos productos adquiridos o arrendados y utilizados en Estados Unidos y/o sus territorios y posesiones, y por MTD Products Limited con respecto a nuevos productos adquiridos o arrendados y utilizados en Canadá y/o sus territorios y posesiones (cualquiera de las dos entidades, respectivamente, "Cub Cadet").

Cub Cadet garantiza este producto (excluidas las piezas con desgaste normal, según se describe más abajo) contra defectos en los materiales y mano de obra por un período de dos (2) años a partir de la fecha de compra o arrendamiento original y, a su opción, reparará o reemplazará, sin costo alguno, cualquier pieza que presente defectos en los materiales o de mano de obra.

Se garantiza que las piezas con desgaste normal están libres de defectos en los materiales y de mano de obra por un período de treinta (30) días a partir de la fecha original de compra o arrendamiento. Las piezas sujetas a desgaste normal incluyen pero no se limitan a: correas, cuchillas, adaptadores de cuchilla, bolsas de césped, ruedas de plataforma, asientos y neumáticos.

Esta garantía limitada sólo se aplicará si el producto ha sido operado y mantenido de acuerdo con las instrucciones del Manual del Operador que se proporciona con el producto y no ha sido sujeto a uso inapropiado, abuso, uso comercial, abandono, accidente, mantenimiento incorrecto, alteración, vandalismo, robo, incendio, inundación o algún daño debido a otro peligro o desastre natural. Los daños que resulten de la instalación o el uso de piezas, accesorios o elementos no aprobados por Cub Cadet para usar con el o los productos incluidos en este manual anularán la garantía en lo que respecta a esos daños. Además, Cub Cadet puede rechazar la cobertura de la garantía si el medidor de horas o cualquier parte del mismo, es alterado, modificado, desconectado o de otro modo forzado.

CÓMO SOLICITAR Y OBTENER SERVICIO TÉCNICO: El servicio de la garantía está disponible, CON COMPROBANTE DE COMPRA Y LOS REGISTROS DE MANTENIMIENTO CORRESPONDIENTES a través de su distribuidor local de servicio autorizado. Para localizar al distribuidor de su zona:

En Estados Unidos de América:

Consulte sus páginas amarillas, o póngase en contacto con Cub Cadet LLC en P.O. Box 361131, Cleveland, Ohio 44136-0019, llame al 1-877-282-8684, o visite nuestro sitio web en www.cubcadet.com.

En Canadá:

Póngase en contacto con MTD Products Limited, Kitchener, ON N2G 4J1, llame al 1-800-668-1238 ó visite nuestro sitio web en www.mtdcanada.com.

Sin limitación de lo anteriormente dicho, esta garantía limitada no ofrece cobertura en los siguientes casos:

- Los elementos del mantenimiento de rutina como por ejemplo lubricantes, filtros, afiladores de cuchillas, puesta a punto del motor, ajustes de frenos, del embrague o de la plataforma y el deterioro normal del acabado exterior debido al uso o exposición.
- Mantenimiento no realizado por el distribuidor de servicio autorizado.
- Cub Cadet no extiende ninguna garantía para los productos vendidos o exportados fuera de los Estados Unidos de América y/o Canadá, y sus respectivas posesiones y territorios, excepto para aquellos vendidos a través de los canales autorizados de distribución de exportaciones de Cub Cadet.
- Piezas de reemplazo y/o accesorios que no son piezas originales de Cub Cadet.
- Gastos de transporte y visitas técnicas.
- Uso comercial o institucional.

No existen garantías implícitas, incluyendo sin limitación cualquier garantía implícita de comerciabilidad o adaptabilidad para un propósito en particular. Ninguna garantía tendrá validez después del período de aplicación de la expresa garantía escrita indicada anteriormente. Ninguna otra garantía expresa, sea oral o escrita, excepto la mencionada anteriormente, extendida por personas o entidades, incluidos los distribuidores y minoristas, con respecto a cualquier producto, obligará a Cub Cadet. El recurso exclusivo es reparar o reemplazar el producto según lo anteriormente establecido. Los términos de esta garantía cubren las reparaciones únicas y exclusivas que surjan de la venta y/o arrendamiento de los productos cubiertos por la presente. Cub Cadet no se hará responsable de las pérdidas o los daños incidentales o indirectos, incluyendo, sin limitación, los gastos incurridos en servicios de mantenimiento, sustitución o reemplazo del césped, o los gastos de arrendamiento realizados para reemplazar de manera transitoria un producto bajo garantía.

Algunas jurisdicciones no permiten la exclusión o limitación de los daños y perjuicios incidentales o indirectos, o las limitaciones sobre la duración de las garantías implícitas, por lo que las exclusiones o limitaciones mencionadas anteriormente pueden no aplicarse en su caso.

En ningún caso se obtendrá una compensación de ningún tipo por un monto mayor al precio de compra del producto adquirido. La alteración de las características de seguridad del producto anulará esta garantía. Usted asume el riesgo y la responsabilidad por las pérdidas, daños o lesiones personales o materiales propias o de terceros que surjan del uso incorrecto o de la falta de capacidad para usar este producto.

Esta garantía limitada cubre solamente al comprador original, o a la persona que recibió el producto de regalo.

CÓMO SE RELACIONA LA LEGISLACIÓN LOCAL CON ESTA GARANTÍA: Esta garantía limitada le otorga derechos legales específicos y usted también puede tener otros derechos que varían de una jurisdicción a otra.

Cub Cadet LLC, P.O. BOX 361131 CLEVELAND, OHIO 44136-0019, teléfono: 1-877-282-8684
MTD Products Limited, Kitchener, ON N2G 4J1, teléfono: 1-800-668-1238

Cub Cadet®

MANUEL DE L'UTILISATEUR

Ensacheuse arrière Modèles n° 19B70054* et 19B70055*

Renseignements d'enregistrement du produit

Avant d'installer et de mettre en marche votre nouvel équipement, veuillez chercher la plaque du modèle et enregistrer l'information dans la section offerte à cet effet à droite. Vous trouverez la plaque du modèle près du côté externe du couvercle du dispositif d'ensachage. La plaque du modèle contient le numéro de modèle de l'unité et les numéros de série de l'appareil. Ces renseignements seront indispensables pour faire la demande de soutien technique par l'intermédiaire de notre site Web, pour obtenir de l'aide du Service de soutien à la clientèle ou pour communiquer avec un concessionnaire de service agréé local.

NUMÉRO DE MODÈLE

--	--	--	--	--	--	--	--	--	--	--	--

NUMÉRO DE SÉRIE

--	--	--	--	--	--	--	--	--	--	--	--

Tables des matières

<i>Consignes de sécurité</i>	22	<i>Utilisation</i>	29
<i>Contenu de la boîte</i>	24	<i>Garantie</i>	30
<i>Assemblage et installation</i>	26		

▲ AVERTISSEMENT

Lisez et suivez toutes les règles et les directives de sécurité offertes dans ce manuel avant de faire fonctionner cette machine. Le non-respect de ces instructions peut entraîner des blessures corporelles.

▲ AVERTISSEMENT

Proposition 65 de la Californie

Ce produit contient au moins un composé chimique reconnu dans l'état de la Californie comme produit pouvant provoquer des cancers et des malformations congénitales et avoir une incidence négative sur l'appareil reproducteur.

NOTE : Ce manuel de l'opérateur couvre plusieurs modèles. Les fonctionnalités peuvent varier selon le modèle. Ce ne sont pas toutes les fonctionnalités trouvées dans le présent manuel qui s'appliquent à tous les modèles. Le modèle représenté peut différer du vôtre.

CONSIGNES DE SÉCURITÉ

▲ AVERTISSEMENT

▲ Ce symbole indique d'importantes consignes de sécurité qui, si elles ne sont pas respectées, peuvent mettre en danger votre propre sécurité et celle d'autrui et/ou de provoquer des dommages matériels. Veuillez lire et respecter toutes les instructions du présent manuel avant de faire fonctionner cette tracteur. Le non-respect de ces directives pourrait entraîner des blessures corporelles. Lorsque vous voyez ce symbole. **RESPECTEZ L'AVERTISSEMENT!**

▲ DANGER

Ce dispositif a été conçu pour être utilisé selon les pratiques d'utilisation sécuritaires décrites dans ce manuel. Une imprudence ou une erreur de jugement de la part de l'opérateur peut entraîner des blessures graves. Les tracteurs peuvent amputer des mains et des pieds, ainsi que projeter des objets. Le non-respect des consignes de sécurité et des instructions fournies avec votre tracteur pourrait entraîner des blessures graves et même causer la mort.

Utilisation en général

1. Veuillez lire, assimiler et respecter les avertissements et les instructions qui sont apposés sur le dispositif et dans leurs manuels respectifs avant de monter et de mettre en marche l'équipement. Conservez le présent manuel dans un endroit sûr pour consultation régulière et ultérieure, de même que pour commander des pièces de rechange.
2. Pour éviter tout contact avec la lame ou d'être blessé par un projectile, éloignez les enfants, les passants, les assistants et les animaux à au moins 75 pieds de la tracteur en cours de fonctionnement. Arrêtez l'appareil si quelqu'un pénètre dans la zone de travail.
3. Examinez soigneusement la zone où la tracteur sera utilisée. Retirez toutes les pierres, tous les bâtons, les fils, les os, les jouets et les autres objets qui pourraient être avalés et projetés par les lames. Les objets projetés peuvent provoquer des blessures corporelles graves.
4. Pour protéger vos yeux, portez toujours des lunettes de sécurité munies ou non de coques en utilisant l'appareil, lors de réglages ou de réparations. Les objets projetés, qui ricochent, risquent de blesser grièvement les yeux.
5. Ne faites pas fonctionner la tracteur sans son clapet d'éjection ou son bac de ramassage installé dans son emplacement approprié. Un clapet d'éjection ou un composant du dispositif d'ensachage manquant ou endommagé peut entraîner des blessures causées par la projection d'objets ou par le contact avec la lame.
6. N'approchez pas vos mains et vos pieds des pièces en rotation et ne les passez jamais sous le plateau de coupe. Un contact avec les lames risque d'amputer les mains et les pieds.
7. Coupez le moteur de la tracteur et attendez que les lames s'immobilisent complètement avant de déboucher l'ouverture d'éjection ou les pièces du dispositif d'ensachage de la tracteur.
8. Ralentissez avant de tourner. Manoeuvrez la tracteur en douceur. Évitez le fonctionnement erratique et une vitesse excessive. Tenez compte du fait que les accessoires d'ensachage peuvent influencer les caractéristiques de manipulation de votre tracteur.
9. Désengorgez les lames, placez le frein à main, coupez le moteur et attendez l'immobilisation complète des lames avant d'ouvrir le couvercle du bac de ramassage, de retirer celui-ci, de vider l'herbe, de déboucher la goulotte, de retirer les débris, ou en effectuant tout autre ajustement. Ne laissez jamais une tracteur en marche sans surveillance. Attendez toujours que les lames s'immobilisent, placez la transmission au neutre, mettez le frein à main, coupez le moteur et retirez la clé avant le démontage.
10. Votre tracteur est conçue pour tondre du gazon résidentiel normal. Ne tentez pas de couper la pelouse exceptionnellement longue et sèche (par exemple, des pâturages) ou des amas de feuilles mortes. De la pelouse sèche ou des feuilles mortes peuvent entrer en contact avec l'échappement du moteur ou s'accumuler sur la plate-forme de la tracteur offrant un risque d'incendie potentiel.
11. En cas de situations qui ne sont pas mentionnées dans le présent manuel, soyez prudent et faites preuve de bon sens. Pour obtenir de l'aide, communiquez avec un représentant du service à la clientèle.



Utilisation sur une pente

Les pentes sont l'un des principaux facteurs qui contribuent à la perte de contrôle et aux accidents liés aux renversements qui peuvent entraîner des blessures graves et même causer la mort. Les accessoires de tonte peuvent également affecter la stabilité de la tracteur. Tout travail sur des pentes exige des précautions supplémentaires.

Par mesure de sécurité, utilisez l'inclinomètre fourni dans le présent manuel pour mesurer l'inclinaison du terrain avant d'utiliser cet appareil dans une zone en pente ou montagneuse. Si la pente est supérieure à 10 degrés ou 17 pour cent comme indiqué sur l'inclinomètre, retirez les accessoires de tonte (c.-à-d. le sac de ramassage, etc.) avant de commencer le travail dans ce secteur, car des blessures graves pourraient s'en suivre.

Symboles de sécurité

Ce tableau illustre et décrit les symboles de sécurité qui peuvent apparaître sur ce produit. Avant son utilisation, lisez, assimilez et respectez toutes les instructions apposées sur l'appareil.

Symbole	Description
	LIRE LE(S) MANUEL(S) D'UTILISATION Avant d'assembler ou d'utiliser cet appareil, lisez, comprenez et respectez toutes les instructions décrites dans ces manuels.
	ARRÊTER Coupez le moteur avant d'ouvrir le couvercle du bac de ramassage.

▲ AVERTISSEMENT

C'est votre responsabilité—Limitez l'utilisation de cet appareil motorisé à des personnes qui peuvent lire, assimiler et respecter les avertissements et les instructions qui figurent dans le présent manuel et qui sont apposés sur l'appareil.

CONSERVEZ CES INSTRUCTIONS!

Inclinomètre

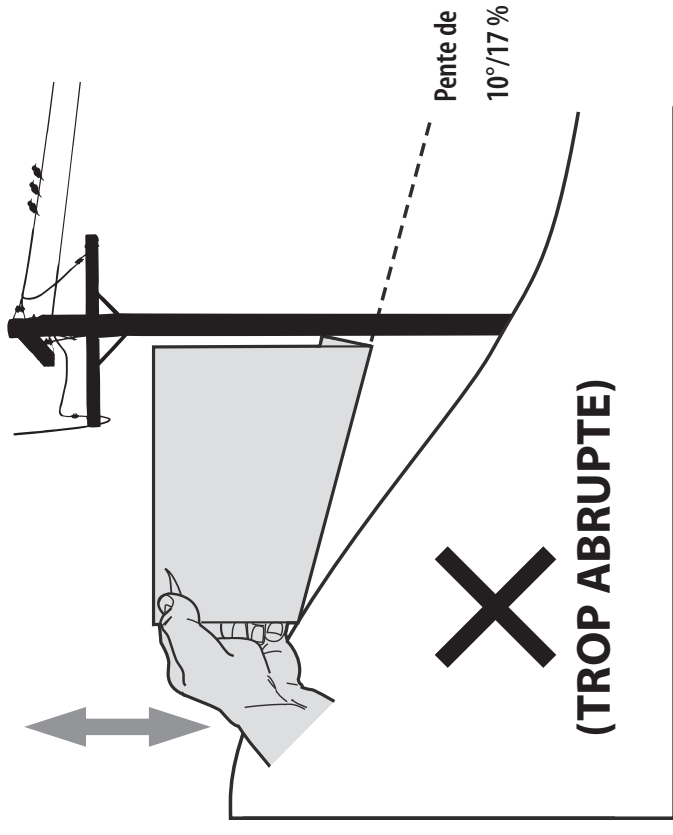
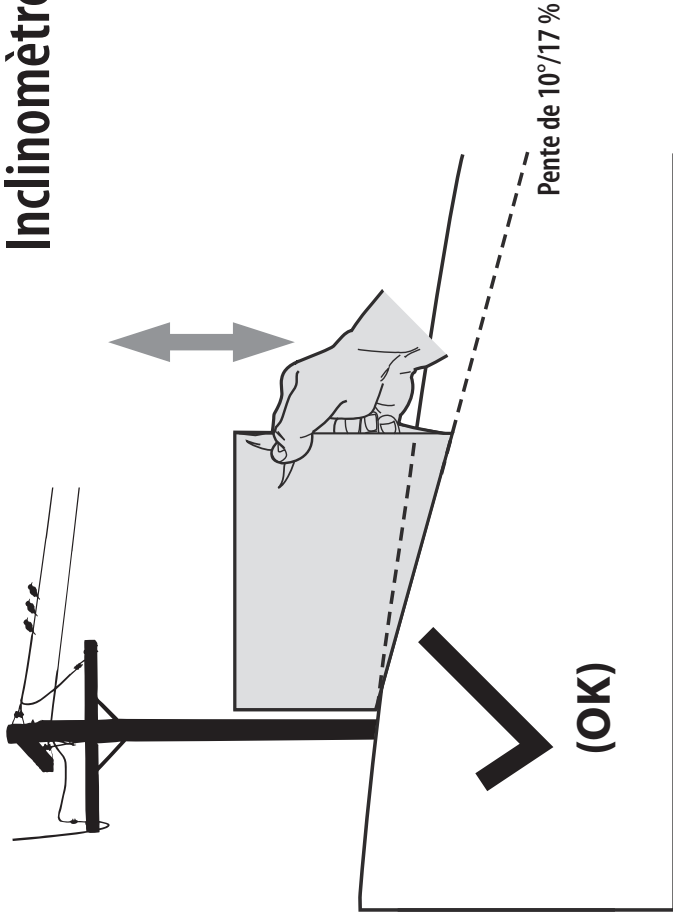
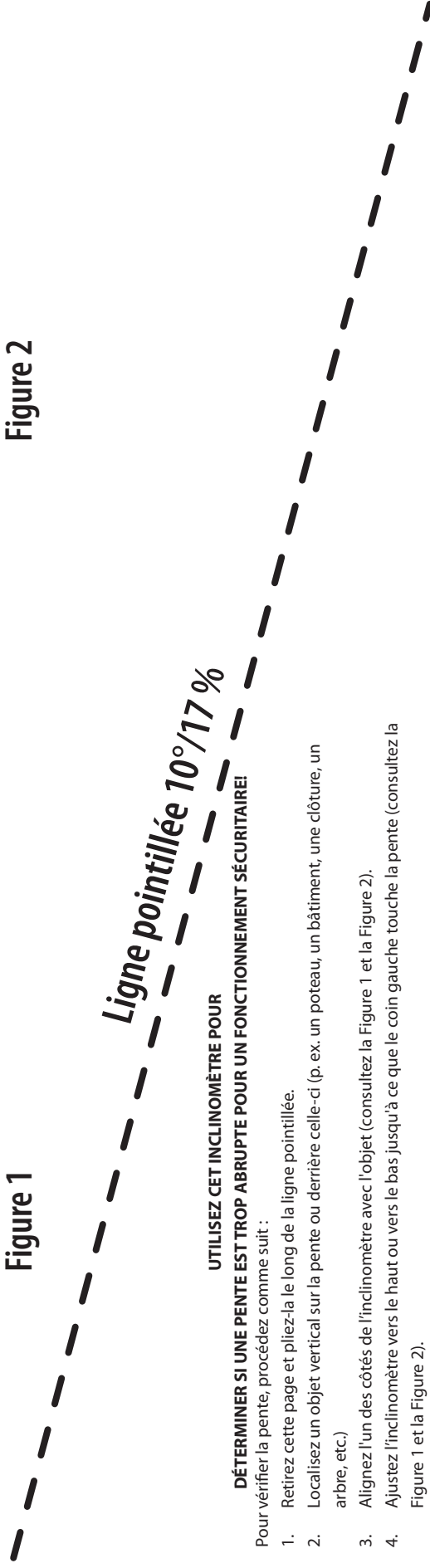


Figure 1

Figure 2



UTILISEZ CET INCLINOMÈTRE POUR

DÉTERMINER SI UNE PENTE EST TROP ABRUPTÉ POUR UN FONCTIONNEMENT SÉCURITAIRE!

Pour vérifier la pente, procédez comme suit :

1. Retirez cette page et pliez-la le long de la ligne pointillée.
2. Localisez un objet vertical sur la pente ou derrière celle-ci (p. ex. un poteau, un bâtiment, une clôture, un arbre, etc.)
3. Alignez l'un des côtés de l'inclinomètre avec l'objet (consultez la Figure 1 et la Figure 2).
4. Ajustez l'inclinomètre vers le haut ou vers le bas jusqu'à ce que le coin gauche touche la pente (consultez la Figure 1 et la Figure 2).
5. S'il y a un écart en dessous de l'inclinomètre, la pente est trop raide pour un fonctionnement en toute sécurité (consultez la Figure 2 ci-dessus).

▲ AVERTISSEMENT

Les pentes sont l'un des principaux facteurs qui contribuent aux accidents liés aux renversements pouvant entraîner des blessures graves et même causer la mort. Ne pas utiliser cette machine sur une pente dont l'inclinaison est supérieure à 10 degrés. Tout travail sur des pentes exige des précautions supplémentaires. Si vous ne pouvez pas reculer sur la pente ou si nous ne vous sentez pas à l'aise de le faire, n'y passez pas la tondeuse. Utilisez toujours la tondeuse parallèlement à la pente, jamais en travers.

CONTENU DE LA BOÎTE

Merci

Merci d'avoir acheté un accessoire d'ensachage fabriqué. Il a été soigneusement conçu afin de fournir un rendement exceptionnel lorsqu'il est utilisé et entretenu correctement.

Veillez lire ce manuel en entier avant de mettre l'équipement en marche. Ce manuel vous indique comment installer et entretenir votre produit facilement et sans danger. Assurez-vous, ainsi que toutes les autres personnes qui utiliseront la machine, de suivre attentivement les consignes de sécurité recommandées en tout temps. Le non-respect de ces consignes peut entraîner des blessures corporelles ou causer des dégâts matériels.

Toutes les informations contenues dans ce manuel sont pertinentes aux données les plus récentes offertes au moment de l'impression. Consultez ce manuel fréquemment afin de vous familiariser avec l'équipement, ses fonctions et son fonctionnement. Nous tenons à vous aviser que ce manuel de l'opérateur peut couvrir un éventail de spécifications de produits pour différents modèles. Les caractéristiques et les fonctions décrites ou illustrées dans ce manuel peuvent ne pas s'appliquer à tous les modèles. Nous nous réservons le droit de modifier les caractéristiques, les concepts du produit et le matériel sans préavis et sans obligation de notre part.

Si vous avez des problèmes ou des questions au sujet de l'équipement, téléphonez à votre concessionnaire local ou communiquez avec nous directement. Nous tenons à assurer votre entière satisfaction en tout temps.

Toutes les références que vous retrouverez dans ce manuel au sujet du côté gauche et du côté droit de la machine sont observées à partir de la position d'utilisation.

42"/46" Ensacheuse double

Avant de commencer l'installation, retirez toutes les pièces de la boîte afin de vous assurer qu'il ne manque rien. Le contenu de la boîte est indiqué ci-dessous et il est illustré à la Figure 1. Les trousse de matériel incluses dans cette trousse sont détaillées à la fin de cette section.

- Assemblage de la botte - 731-09329A
- Assemblage du sac à herbe (2) - 664-05104
- Support vertical - 683-04519C
- Support de la goulotte supérieure - 731-17091
- Assemblage de cintre - 683-04461C
- Bouchons d'extrémité (4) - 735-0246A (préinstallé)
- Housse de sac - 631-04292
- Tuyau d'arrosage - 764-05082
- Écran - 731-06504
- Raccord de tuyau inférieur - 731-12353A (préinstallé)
- Axe de charnière - 711-04988
- Support d'adaptateur - 789-02518
- Support d'adaptateur d'articulation - 789-02298
- Poids du dispositif d'ensachage RZT - 719-04271A
- Plaques de poids (3) - 789-02137
- Support de suspension du poids de gauche - 789-02197
- Support de suspension du poids de droite - 789-02198
- Trousse de matériel - 689-01419
- Emballage de quincaillerie pour botte d'ensacheuse - 689-00636
- Bandes adhésives antimarquage - 777X52246

50"/54" Ensacheuse double

Avant de commencer l'installation, retirez toutes les pièces de la boîte afin de vous assurer qu'il ne manque rien. Le contenu de la boîte est indiqué ci-dessous et il est illustré à la Figure 2. Les trousse de matériel incluses dans cette trousse sont détaillées à la fin de cette section.

- Assemblage de la botte - 631-09698
- Assemblage du sac à herbe (2) - 664-05104
- Support vertical - 683-04519C
- Support de la goulotte supérieure - 731-17091
- Assemblage de cintre - 683-04461C
- Adaptateur de goulotte - 731-10133
- Bouchons d'extrémité (4) - 735-0246A (préinstallé)
- Housse de sac - 631-04292
- Tuyau d'arrosage - 764-05082
- Écran - 731-06504
- Raccord de tuyau inférieur - 731-12353A (préinstallé)
- Axe de charnière - 711-04988
- Support d'adaptateur - 789-02518
- Support d'adaptateur d'articulation - 789-02298
- Poids du dispositif d'ensachage RZT - 719-04271A
- Plaques de poids (3) - 789-02137
- Support de suspension du poids de gauche - 789-02197
- Support de suspension du poids de droite - 789-02198
- Trousse de matériel - 689-01419
- Emballage de quincaillerie pour botte d'ensacheuse - 689-02199
- Bandes adhésives antimarquage - 777X52246

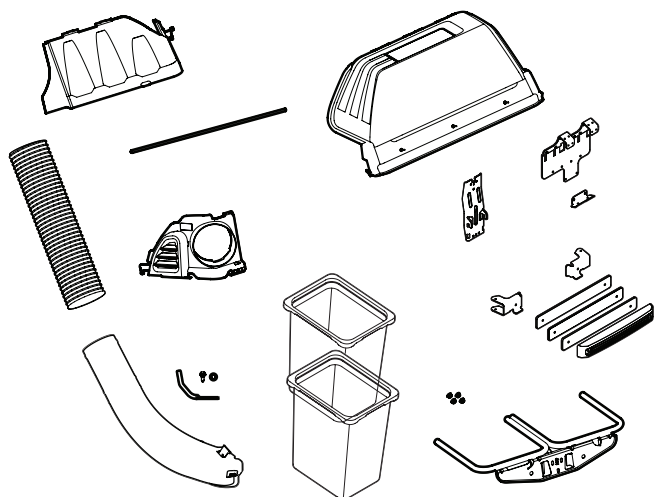


Figure 1

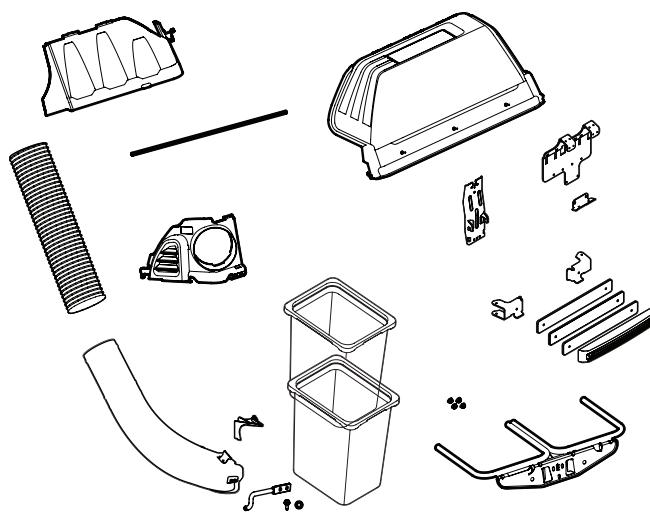


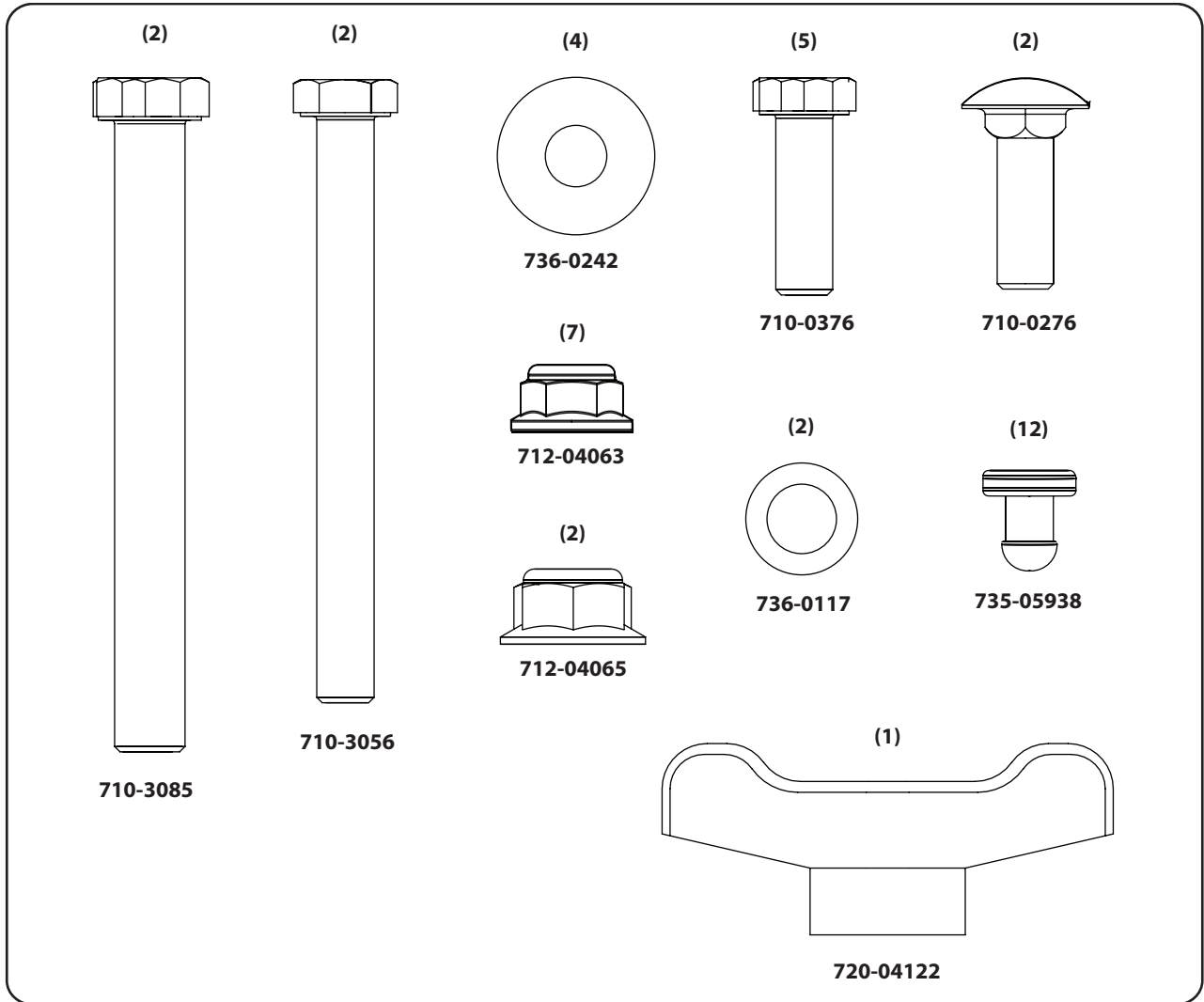
Figure 2

CONTENU DE LA BOÎTE

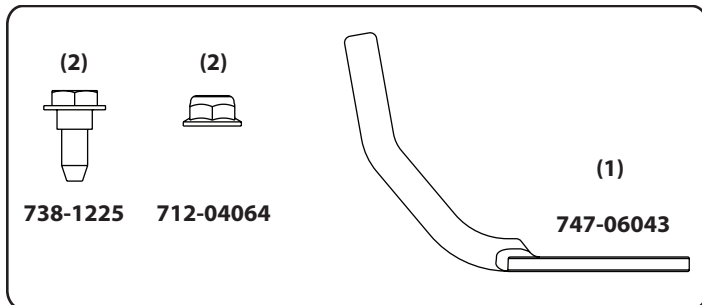
Contenu des jeux de montage

Veuillez comparer le matériel fourni avec les illustrations ci-dessous. Les quantités pour chaque article sont indiquées entre parenthèses.

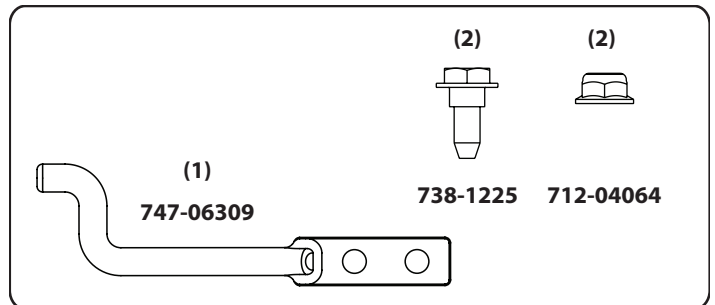
Trousse de matériel 689-01419



Emballage de quincaillerie pour botte d'ensacheuse de 42 à 46 po 689-00636



Emballage de quincaillerie pour botte d'ensacheuse 50 à 54 po 689-02199



ASSEMBLAGE ET INSTALLATION

NOTE : Sauf indication contraire, les références aux côtés gauche, droit, avant et arrière du tracteur proviennent de la position du chauffeur.

- Avant l'assemblage, déplacez le tracteur sur une surface horizontale, débrayez la PDF, arrêtez le moteur et enclenchez le frein de stationnement.

Montage des supports de fixation

1. Installez douze tampons en caoutchouc (735-05938) dans le support de l'adaptateur (789-02518). Fixez-les solidement en utilisant les orifices de montage illustrés à la Figure 3.

NOTE : Après chaque saison, vérifiez que les coussinets de protection ne sont pas trop usés; remplacez-les si nécessaire.

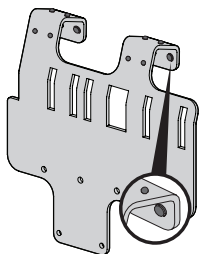


Figure 3

Installer l'ensemble de support sur le tracteur

NOTE : Lors de l'assemblage de cet ensemble de montage, il est préférable de ne pas serrer complètement le support pour l'instant. Ceci facilitera le processus de montage des étapes ultérieures, ce qui nécessitera alors le serrage complet de cet ensemble.

Pour installer le support de fixation sur le tracteur, veuillez suivre les étapes suivantes :

1. Retirer le support d'attelage.
2. Placez deux rondelles (736-0117) entre l'adaptateur de support d'attelage (789-02298) et le support d'attelage arraché à l'étape 1.
3. Installez l'ensemble du support sur le châssis inférieur du tracteur au moyen de deux vis (710-0376). Consultez la Figure 4.

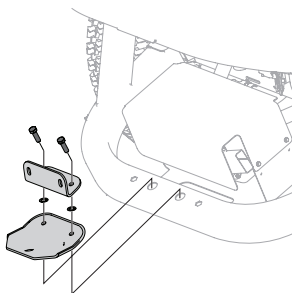


Figure 4

4. Accrochez le support de l'adaptateur au tube à cadre supérieur et connectez-le à l'adaptateur du support d'attelage (789-02298) au moyen de deux vis (710-0376), deux rondelles de tasse (736-0242) et de deux contre-écrous d'épaulement (712-04063). Consultez la Figure 5.

NOTE : Assurez-vous que le support de l'adaptateur repose fermement sur le tube à cadre supérieur.

5. À ce moment, serrez tout le matériel installé.

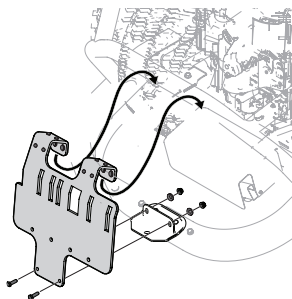


Figure 5

Installer un support vertical

NOTE : Ce manuel couvre différentes configurations d'ensacheuses. Veuillez suivre les instructions applicables à votre machine.

1. À l'aide de la Figure 6 et du tableau ci-dessous, repérez l'emplacement correct du trou de fixation sur le support de montage de votre tracteur :

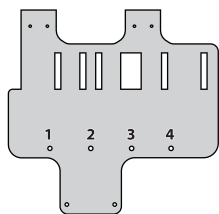


Figure 6

Modèle n°.	Description	Position
19B70054*	Dispositif d'ensachage double de 42 po (1 m) ou 46 po (1,17 m)	4
19B70055*	Dispositif d'ensachage double de 50 po (1,27 m) ou 54 po (1,37 m)	3

NOTE : La position de perçage 2 n'est pas utilisée actuellement.

2. Installez le support de fixation vertical (683-04519C) sur la plaque de fixation du tracteur en l'accrochant sur l'ensemble de fixation comme montré à la Figure 7.
3. Fixez le support vertical à l'ensemble de montage à l'aide d'un boulon hexagonal (710-0376) et d'un contre-écrou d'épaulement (712-04063) provenant de l'ensemble de quincaillerie 689-01419. Voir Figure 7.

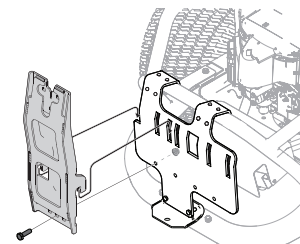


Figure 7

Installer l'ensemble de suspension

1. Installez et fixez l'ensemble de suspension (683-04461C) sur le support vertical à l'aide de deux boulons de chariot (710-0276), deux rondelles de tasse (736-0242) et deux contre-écrous d'épaulement (712-04063) du kit de quincaillerie 689-01419. Voir Figure 8.

NOTE : Les boulons de carrosserie (710-0276), du kit de quincaillerie 689-01419, vont dans le trou supérieur avec l'écrou tourné vers le moteur. Le boulon hexagonal (710-0376), du même paquet de quincaillerie, va dans le trou du bas.

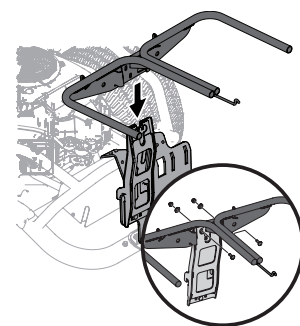


Figure 8

Installez le composant du dispositif d'ensachage supérieur

Une fois les supports de montage assemblés et en place sur le tracteur, procédez comme suit pour assembler les autres composants de l'ensacheuse.

1. Mettre en place le support supérieur de la goulotte (731-17091) en clipsant d'abord la partie latérale sur le rail de montage de la goulotte (1), comme indiqué dans Figure 9.
2. Encliquez la face avant du support supérieur de la goulotte sur le rail (2), comme indiqué dans Figure 9.
3. Si ce n'est pas déjà fait par l'usine, installez l'écran (731-06504) dans le couvercle de l'ensacheuse (631-04292) en insérant d'abord l'extrémité la plus proche du côté avec la découpe (1) dans le trou de montage, comme dans Figure 10.
4. Enclenchez l'autre extrémité en la plaçant dans le trou du couvercle opposé correspondant. Assurez-vous que la enêtre soit placée sous le rebord du couvercle (2). Voir Figure 11.

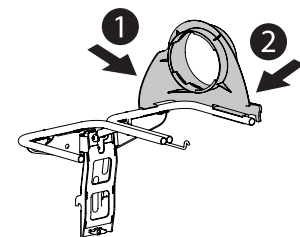


Figure 9

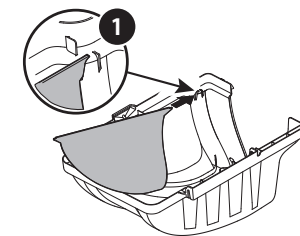
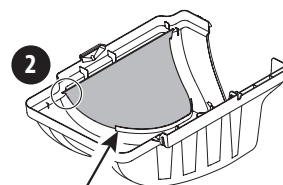


Figure 10



Assurez-vous que l'écran se trouve sous la lèvres du couvercle

Figure 11

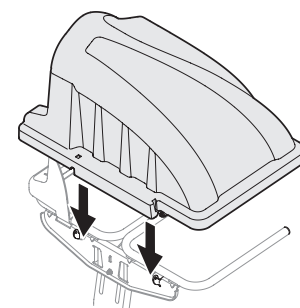


Figure 12

ASSEMBLAGE ET INSTALLATION

5. Installez le couvercle du bac récupérateur sur le support du sac à herbe comme indiqué dans la Figure 12. Placez le couvercle sur les deux encoches de montage.

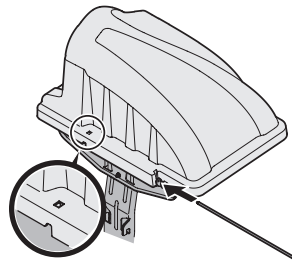


Figure 13

6. Insérez la tige de charnière (711-04988) dans le trou de l'encoche de montage, comme indiqué dans la Figure 13. Utilisez le petit trou sur le couvercle (voir l'encadré) pour aligner l'axe de charnière de l'autre côté, puis poussez l'axe jusqu'au bout. L'axe de charnière s'enclenche et est fixée par l'encoche sous le couvercle du bac récupérateur. Voir les encadrés de la Figure 14.

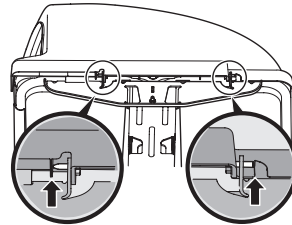


Figure 14

7. Ouvrez le couvercle du bac récupérateur en pressant sur la patte arrière droite avec votre main droite comme indiqué par le point (1) et soulevez le couvercle à partir du milieu avec votre main gauche (2), comme indiqué dans Figure 15.

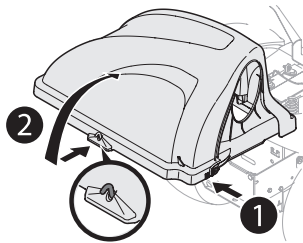


Figure 15

8. Installez les deux sacs à herbe (664-05104) sur leur support en insérant d'abord la partie avant du sac comme indiqué au point (1), puis la partie arrière jusqu'à ce que chaque sac soit correctement placé sur son support (2), comme indiqué dans Figure 16.

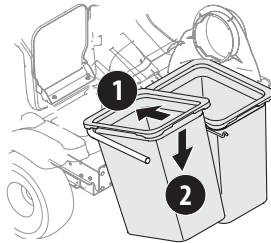


Figure 16

Installation de la tige de botte et de la quincaillerie

Modèle 19B70054* :

1. À partir de l'intérieur du botte, insérez 2 boulons (738-1225), du pack matériel 689-00636, dans les trous situés à la base de l'avant de la botte. Voir Figure 17.
2. Placez la tige de montage (747-06043) par-dessus les boulons. Assurez-vous que la tige pointe dans la direction opposée du coude. Voir Figure 17.
3. Commencez par serrer les écrous autobloquants (712-04064) sur les boulons. Voir Figure 17.
4. Placez une clé de 7/16 po sur le boulon et une clé fermée de 7/16 po sur l'écrou correspondant, serrez jusqu'à plaquer l'épaule de l'écrou contre la paroi de la goulotte.

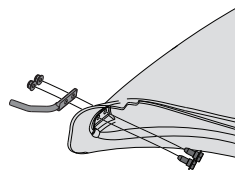


Figure 17

Modèle 19B70055* :

1. À partir de l'intérieur du botte, insérez 2 boulons (738-1225), du pack matériel 689-02199, dans les trous situés à la base de l'avant de la botte. Voir Figure 18.
2. Placez la tige de montage (747-06309) par-dessus les boulons. Assurez-vous que la tige pointe dans la direction opposée du coude. Voir Figure 18.
3. Commencez par serrer les écrous autobloquants (712-04064) sur les boulons. Voir Figure 18.
4. Placez une clé de 7/16 po sur le boulon et une clé fermée de 7/16 po sur l'écrou correspondant, serrez jusqu'à plaquer l'épaule de l'écrou contre la paroi de la goulotte.

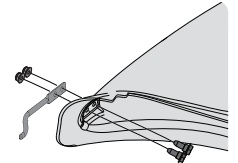


Figure 18

Installation de l'assemblage de la botte - Dispositif d'ensachage double de 42 po (1 m) ou 46 po (1,17 m)

1. Tandis que la goulotte d'éjection du tracteur est relevée et maintenue ouverte (1), installez la botte en plaçant la tige de montage dans la patte de montage de la goulotte (2), comme indiqué à la Figure 19.
2. Fixez la botte au plateau de coupe à l'aide du bouton à ailettes (720-04122) fourni avec la trousse de quincaillerie 689-01419. Consultez la Figure 20.

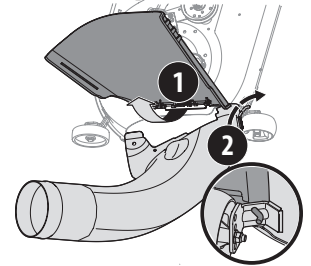


Figure 19

NOTE : Le cas échéant, retirez le capuchon protecteur de la tige de fixation du plateau de coupe, comme indiqué dans l'encart supérieur de la Figure 20.

IMPORTANT ! Assurez-vous que le fond de la botte est situé à l'intérieur de la lèvre de l'ouverture du plateau, comme montré à la Figure 21.

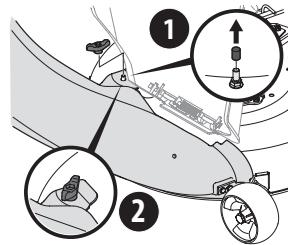


Figure 20

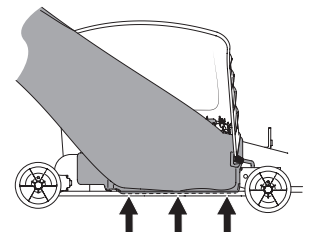


Figure 21

Installation de l'assemblage de la botte - Dispositif d'ensachage double de 50 po (1,27 m) ou 54 po (1,37 m)

Lors de l'installation de la goulotte d'éjection, deux instructions d'installation différentes existent. Pour les unités avec plateau de coupe fabriqué de 54 po (1,37 m), la botte s'installe directement sur le plateau de coupe. Pour les plateau de coupe estampés de 50 po (1,27 m) et 54 po (1,37 m), un adaptateur doit d'abord être installé. Assurez-vous de suivre les instructions relatives à l'unité sur laquelle vous installez cet ensacheur.

54" Fabriqué Plateau de coupe Units :

1. Soulevez le plateau de coupe à la position maximale.

ASSEMBLAGE ET INSTALLATION

2. Soulevez le déflecteur de goulotte (consultez le numéro 1 de la Figure 22) sur le plateau de coupe et maintenez-le pendant que vous placez la botte de descente sur l'ouverture.
3. Insérez l'extrémité la botte (2) dans l'orifice prévu à cet effet dans la roue du plateau de coupe, comme illustré dans l'encart de la Figure 22.
4. Faites pivoter la botte vers l'arrière jusqu'à ce que l'orifice la botte s'aligne sur le plateau de coupe. Déplacez la botte vers le bas sur cette broche, comme illustré à la Figure 22.
5. Fixez la botte au plateau de coupe au moyen du bouton à ailettes (720-04122) inclus dans la trousse de dispositif d'ensilage 689-01419. Consultez la Figure 23.

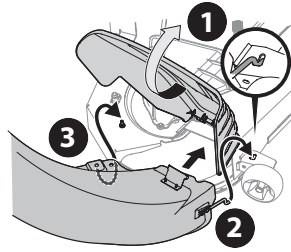


Figure 22

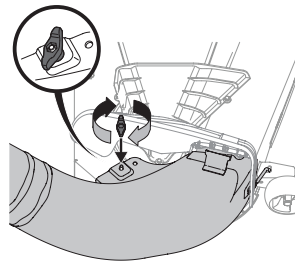


Figure 23

Sur les plateaux de coupe estampés de 50 po (1,27 m) et 54 po (1,37 m) :

1. Soulevez le plateau de coupe à la position maximale.
2. Retirez le capuchon de protection en caoutchouc du plateau de coupe, comme illustré au numéro 1 de la Figure 24.
3. Soulevez le déflecteur de goulotte (consultez le numéro 2 de la Figure 24) sur le plateau de coupe et maintenez-le en place pendant que vous installez l'adaptateur de goulotte (731-10133) (3) sur le plateau de coupe, comme illustré à la Figure 24.
4. Insérez l'extrémité de l'assemblage de la botte (1) dans l'orifice prévu à cet effet dans la roue du plateau de coupe, comme illustré dans l'encart de la Figure 25.
5. Faites pivoter la botte vers l'arrière jusqu'à ce que le trou dans la botte s'aligne avec la goupille de l'adaptateur de pont. Déplacez la botte vers le bas sur cette goupille comme indiqué dans 2 des Figure 25.
6. Fixez l'assemblage de la botte au plateau de coupe au moyen du bouton à ailettes (720-04122) inclus dans la trousse de quincaillerie 689-01419. Consultez la Figure 26.

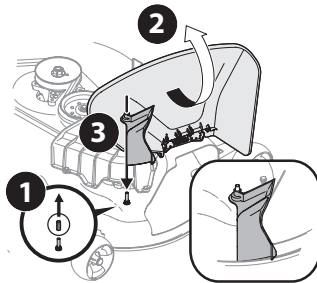


Figure 24

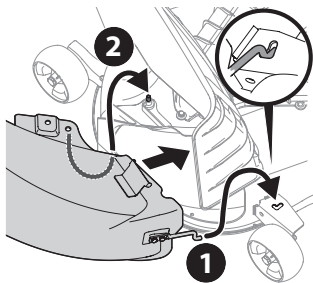


Figure 25

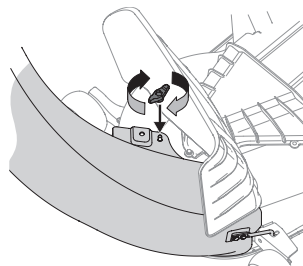


Figure 26

Installation du Tuyau d'arrosage

1. Vissez fermement l'extrémité supérieure du tuyau d'arrosage (764-05082) dans le support de la goulotte supérieure. Pour assurer un enfilage sûr, il y a deux languettes sur la partie intérieure du support de la goulotte supérieure. Consultez la Figure 27.
- NOTE :** Le tuyau d'arrosage et le support de la goulotte supérieure sont **vers la gauche**. Vissez dans le sens antihoraire jusqu'à ce que l'élément soit bien en place.
2. Soulevez par les poignées situées dans la partie inférieure du tuyau d'arrosage. Faites glisser le tuyau d'arrosage sur l'assemblage de la botte sur le plateau de coupe, comme illustré à la Figure 28.
 3. MAssurez-vous que le raccord est sécuritaire et qu'il n'y a pas d'espace entre le tuyau d'arrosage et l'assemblage de la botte.
 4. S'il est ouvert, fermez le couvercle du sac à herbe avant de procéder à la tonte.

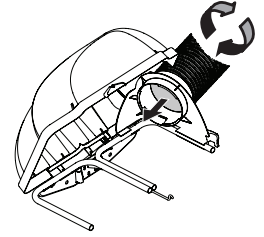


Figure 27

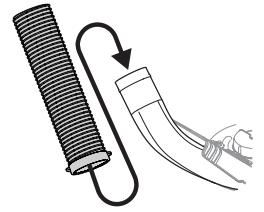


Figure 28

Installation du contrepoids

⚠ AVERTISSEMENT

Cette trousse de poids avant est requise pour l'utilisation de tout modèle tracteur à rayon de braquage zéro compatible, équipé d'un collecteur d'herbe. Le non-respect de cette directive d'installation de cette trousse peut entraîner des blessures graves, voire la mort.

⚠ AVERTISSEMENT

Avant de commencer l'installation, placez le tracteur à rayon de braquage zéro sur une surface ferme et plane, serrez le frein de stationnement, placez la prise de force en position désengagée (OFF), arrêtez le moteur et retirez la clé de contact pour éviter tout démarrage involontaire.

1. Avant l'assemblage, décollez les autocollants adhésifs de la feuille et appliquez-les sur les faces intérieures des supports de suspension de poids gauche et droit, comme indiqué à la Figure 29.
2. Fixez le poids et les plaques de poids aux supports de suspension à l'aide de deux vis à tête hexagonale de 3/8 po (710-3085) et de deux écrous (712-04065) comme illustré à la Figure 30.
3. Centrez visuellement la barre de pesée sur le tracteur et utilisez deux vis à tête hexagonale de 7/16 po (710-3056) et deux écrous (712-04063) pour fixer l'ensemble de contrepoids au tracteur, comme illustré à la Consultez la Figure 31.

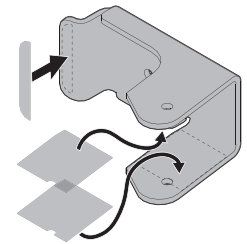


Figure 29

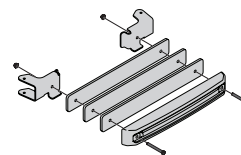


Figure 30

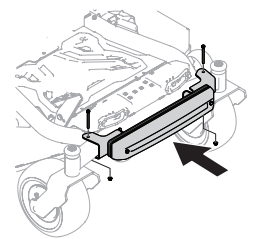


Figure 31

UTILISATION

Utilisation du dispositif d'ensachage double

NOTE: Lorsque les deux sacs à herbe sont pleins, immobilisez le tracteur sur une surface dure et de niveau, désembrayez la prise de force, coupez le moteur du tracteur et engagez le frein à main.

1. Ouvrez la couvercle de l'ensacheuse en enfonçant les onglets arrière avec votre main (1), l'ouvrir et en soulevant le couvercle de l'autre main au centre, à l'arrière du couvercle de l'ensacheuse (2) comme illustré à la Figure 29.
2. Ne retirez pas le tuyau d'arrosage du tracteur.
3. Retirez les deux ensembles de sac des supports en soulevant d'abord le rebord avant, puis en faisant glisser le rebord arrière vers l'avant et vers le haut jusqu'à ce qu'il soit dégagé du cadre. Consultez la Figure 30.
4. Videz les déchets de coupe dans un site d'élimination des déchets approprié, servez-vous de la poignée au fond de chaque sac à herbe. En maintenant fermement le sac, videz son contenu.
5. Remplacez les sacs à herbe, fermez le couvercle, remplacez le siège, redémarrez votre tracteur, déclenchez le frein de stationnement et continuez à tondre la pelouse.

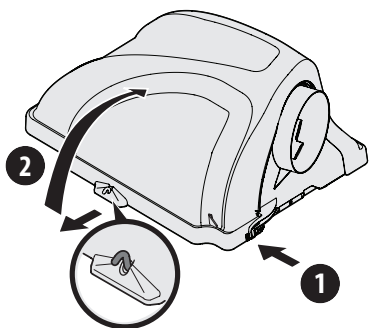


Figure 29

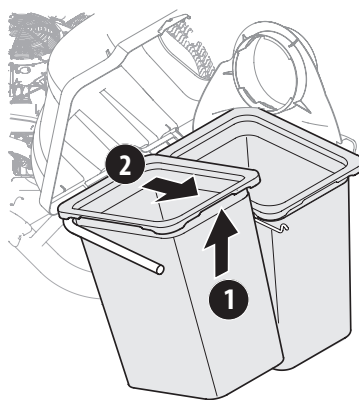


Figure 30

CUB CADET LLC

GARANTIE LIMITÉE DU FABRICANT POUR LES ACCESSOIRES VENDUS SÉPARÉMENT

IMPORTANT : Le propriétaire doit présenter le reçu original et les relevés d'entretien au concessionnaire pour faire honorer la garantie. Le propriétaire de l'appareil est tenu de respecter le calendrier d'entretien tel qu'il est indiqué dans le manuel d'utilisation.

La garantie limitée décrite ci-dessous est offerte par Cub Cadet LLC pour des appareils neufs achetés ou loués et utilisés aux États-Unis, dans ses possessions et territoires, et par MTD Products Limited pour des appareils neufs achetés ou loués et utilisés au Canada et dans ses territoires (chaque entité respectivement, « Cub Cadet »).

Cub Cadet garantit que ce produit (à l'exception *des pièces d'usure normale* énumérées ci-dessous) est exempt de tout défaut de matériau et de fabrication pour une durée de trois (3) ans à compter de la date d'achat initiale ou de la location-bail et s'engage à réparer ou à remplacer, gratuitement et à son choix, toute pièce qui s'avère défectueuse en raison d'un défaut de matériau ou de fabrication.

Les pièces d'usure normale sont garanties exemptes de tout défaut de matériau et de fabrication pour une période de trente (30) jours à compter de la date initiale d'achat ou de location. Les pièces d'usure normale comprennent, sans s'y limiter : les courroies, les lames, les adaptateurs de lame, les sacs à herbe, les roues du plateau de coupe, les sièges et les pneus.

Cette garantie ne s'applique que si l'appareil a été utilisé et entretenu conformément aux indications du manuel d'utilisation fourni avec l'appareil et exclut les mauvaises utilisations, les abus, la négligence, les accidents, le mauvais entretien, les altérations, le vandalisme, le vol, le feu, l'eau et les autres dommages causés par des catastrophes naturelles. Les dégâts causés par l'installation ou l'utilisation d'une pièce ou d'un accessoire, dont l'emploi avec le produit n'est pas homologué par Cub Cadet, rendront la garantie nulle et non avenue. De plus, cette garantie ne s'applique pas si le compteur d'heures, ou tout autre composant de celui-ci, a été modifié, déconnecté ou autrement changé.

POUR SE PRÉVALOIR DE LA GARANTIE : Présentez LA PREUVE D'ACHAT ET LES RELEVÉS D'ENTRETIEN CORRESPONDANTS au centre de service agréé de votre région. Pour trouver un centre de service dans votre région :

Aux États-Unis :

Consultez les Pages Jaunes, écrivez à Cub Cadet LLC, P.O. BOX 361131 Cleveland, Ohio 44136-0019, appelez au 1 877 282-8684 ou visitez notre site Web au www.cubcadet.com.

Au Canada :

Écrivez à MTD Products Limited, Kitchener, Ontario, N2G 4J1, téléphonez au 1 800 668-1238 ou visitez notre site Web au www.mtdproducts.ca.

Sans limiter ce qui précède, cette garantie limitée ne couvre pas :

- Les articles d'entretien courant tels que les lubrifiants et les filtres, l'aiguisage de lames, les mises au point, les réglages de frein, de l'embrayage ou du plateau de coupe ainsi que la détérioration normale de la finition extérieure en raison de l'utilisation de l'appareil ou de son exposition aux intempéries.
- Une réparation exécutée par quiconque autre qu'un centre de service agréé.
- Cub Cadet ne garantit pas les produits vendus ou exportés hors des États-Unis et/ou du Canada, de leurs possessions et territoires respectifs, sauf si ces produits ont été vendus par l'intermédiaire des services d'exportation de Cub Cadet.
- Les pièces de rechange qui ne sont pas des pièces d'origine de Cub Cadet.
- Les frais de transport et de déplacement des techniciens.
- L'utilisation de type commercial ou institutionnel.

Aucune garantie implicite, y compris sans s'y limiter, toute garantie tacite de qualité marchande ou d'adaptabilité dans un but particulier, ne s'applique après la période de la garantie explicite décrite ci-dessus. Aucune autre garantie explicite, mise à part la garantie décrite ci-dessus, donnée par toute personne ou toute entreprise, y compris par le concessionnaire ou le détaillant, à l'égard de tout produit, n'engage Cub Cadet. Le seul recours se limite à la réparation ou le remplacement du produit tel que stipulé ci-dessus.

Les stipulations énoncées dans cette garantie offrent le seul recours à la suite de la vente ou de la location-bail. Cub Cadet ne peut être tenu responsable pour toute perte ou tout dommage accessoire ou immatériel comprenant, sans s'y limiter, les frais de remplacement ou de substitution des services d'entretien des pelouses ou les frais de location pour remplacer temporairement un produit sous garantie.

Certaines juridictions ne permettent pas l'exclusion des dommages accessoires ou immatériels ou une limite à la durée de la garantie implicite. Par conséquent, les exclusions et restrictions ci-dessus peuvent ne pas s'appliquer dans votre cas.

En aucun cas, le montant de remboursement ou de remplacement ne saurait être supérieur à celui du prix d'achat du produit. **Toute modification des dispositifs de sécurité rendra la garantie nulle et non avenue.** L'utilisateur assume tout risque et toute responsabilité en cas de perte, de dommage matériel ou de blessure résultant de l'utilisation incorrecte du produit ou de l'incapacité de l'employer.

Cette garantie limitée n'est offerte qu'à l'acheteur initial ou à la personne à laquelle le produit a été offert en cadeau.

Lois locales et cette garantie : Cette garantie limitée vous accorde des droits juridiques spécifiques. Vous pouvez également bénéficier d'autres droits qui varient selon les juridictions.

**CUB CADET LLC, BOX 361131 CLEVELAND, OHIO 44136-0019, Phone: 1 877 282-8684
MTD Products Limited, Kitchener, ON N2G 4J1, Téléphone : 1 800 668-1238**

NOTES PAGE

NOTES PAGE