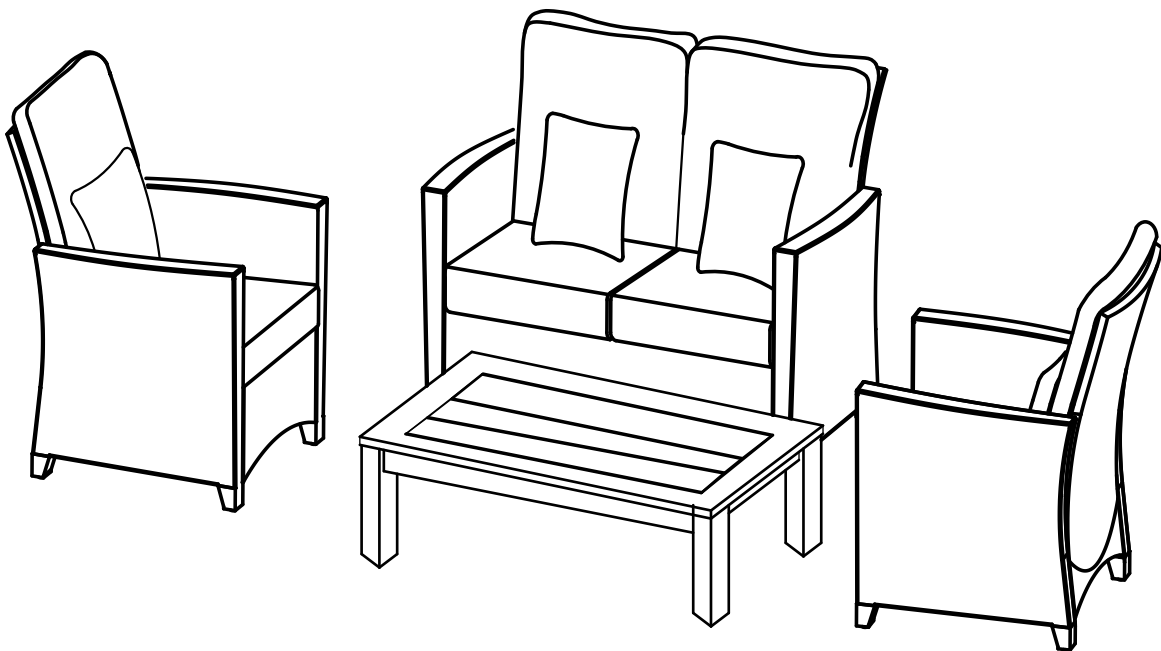




Item # 000 000
Model # FRS80413-ST

USE AND CARE GUIDE

TACANA 4-PIECE WOVEN DEEP SEATING SET



Questions, problems, missing parts? Before returning to the store
call Hampton Bay Customer Service.
8 a.m. - 7 p.m., EST, Monday - Friday, 9 a.m. - 6 p.m., EST, Saturday

1-855-HD-HAMPTON

HAMPTONBAY.COM

THANK YOU

We appreciate the trust and confidence you have placed in Hampton Bay through the purchase of this chair. We strive to continually create quality products designed to enhance your home. Visit us online to see our full line of products available for your home improvement needs. Thank you for choosing Hampton Bay!

Table of Contents


Table of Contents.....	2	Pre-Assembly	3
Safety Information	2	Planning Assembly	3
Product Caution	2	Hardware Included	3
Safety Warnings	2	Chair Package Contents.....	4
Warranty	2	Loveseat Package Contents.....	5
What is Covered	2	Table Package Contents	6
What is Not Covered	2	Chair Assembly.....	7
		Loveseat Assembly.....	12
		Table Assembly.....	18
		Care and Cleaning.....	19


Safety Information


PRODUCT CAUTION


This dining set was made for the explicit purpose of providing outdoor functions and is not to be used as a toy. This product is intended for normal outdoor use; however, the manufacturer recommends storing and / or covering this set when any formidable / severe weather is + approaching. Do not locate the product near open flames. Do not use the product as a support. Do not shake, lean or climb on the product. Children under the age of 10 near the product, should be supervised by a competent adult at all times. This product is NOT intended for commercial use and will void the warranty.


SAFETY WARNINGS

 **WARNING:** Weight limit for the chairs is 250 lbs (113.39 kg) for each seat.

 **WARNING:** Please keep children out of the assembly area before assembly.

 **WARNING:** Do not place heavy objects on the table top.

 **CAUTION:** Do not locate the product near any heat source.

 **CAUTION:** When not in use, secure the product in a cool and covered location.

Warranty

2 YEAR FRAME AND 2 YEAR FABRIC LIMITED WARRANTY

WHAT IS COVERED

We warrant the frames to be free of manufacturing defects to the original purchaser for two years, and a two year limited warranty for the fabric.

WHAT IS NOT COVERED

It remains the customer's responsibility for freight and packaging charges to and from our service center. This warranty does not cover commercial use, hardware, acts of nature, fire, freezing and abusive use. In addition, purchased parts are not covered under this warranty. We reserve the right to make substitutions with similar merchandise, if the model in question is no longer in production.

Contact the Customer Service Team at 1-855-HD-HAMPTON or visit www.HamptonBay.com.

Pre-Assembly

PLANNING ASSEMBLY

Read all instructions before assembly.

To avoid damaging this product, assemble it on a soft, non-abrasive surface such as carpet or cardboard.

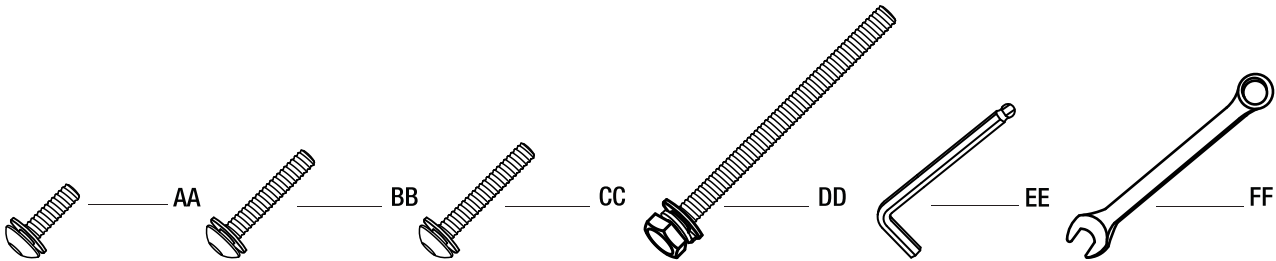


NOTE: More than one person may be required to complete the assembly for this product.

HARDWARE INCLUDED



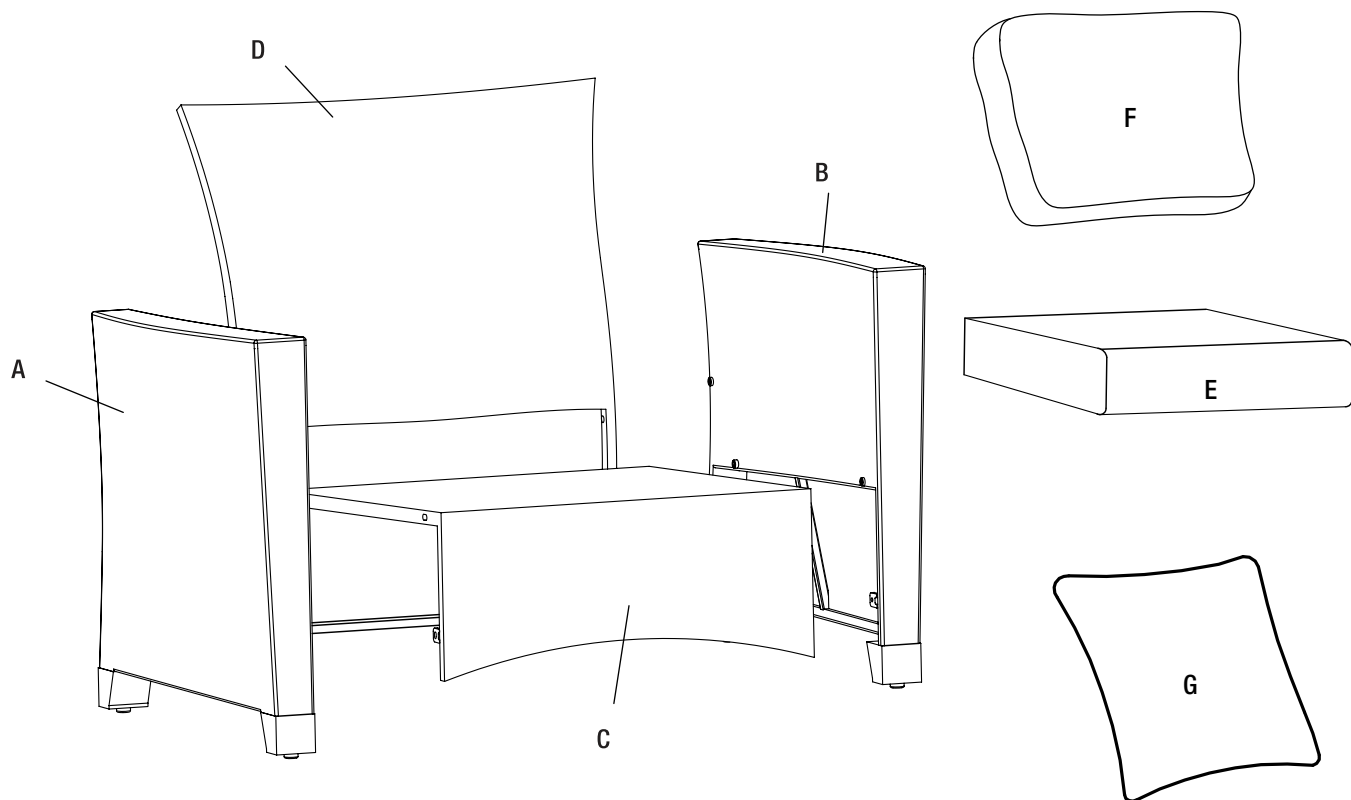
NOTE: Hardware not shown to actual size.



Part	Description	Quantity
AA	M6x20 combination bolt	14+1
BB	M6x35 combination bolt	6+1
CC	M6x40 combination bolt	12+1
DD	M6x90 combination bolt	8+1
EE	Hex wrench	1
FF	Wrench	1

Pre-Assembly (continued)

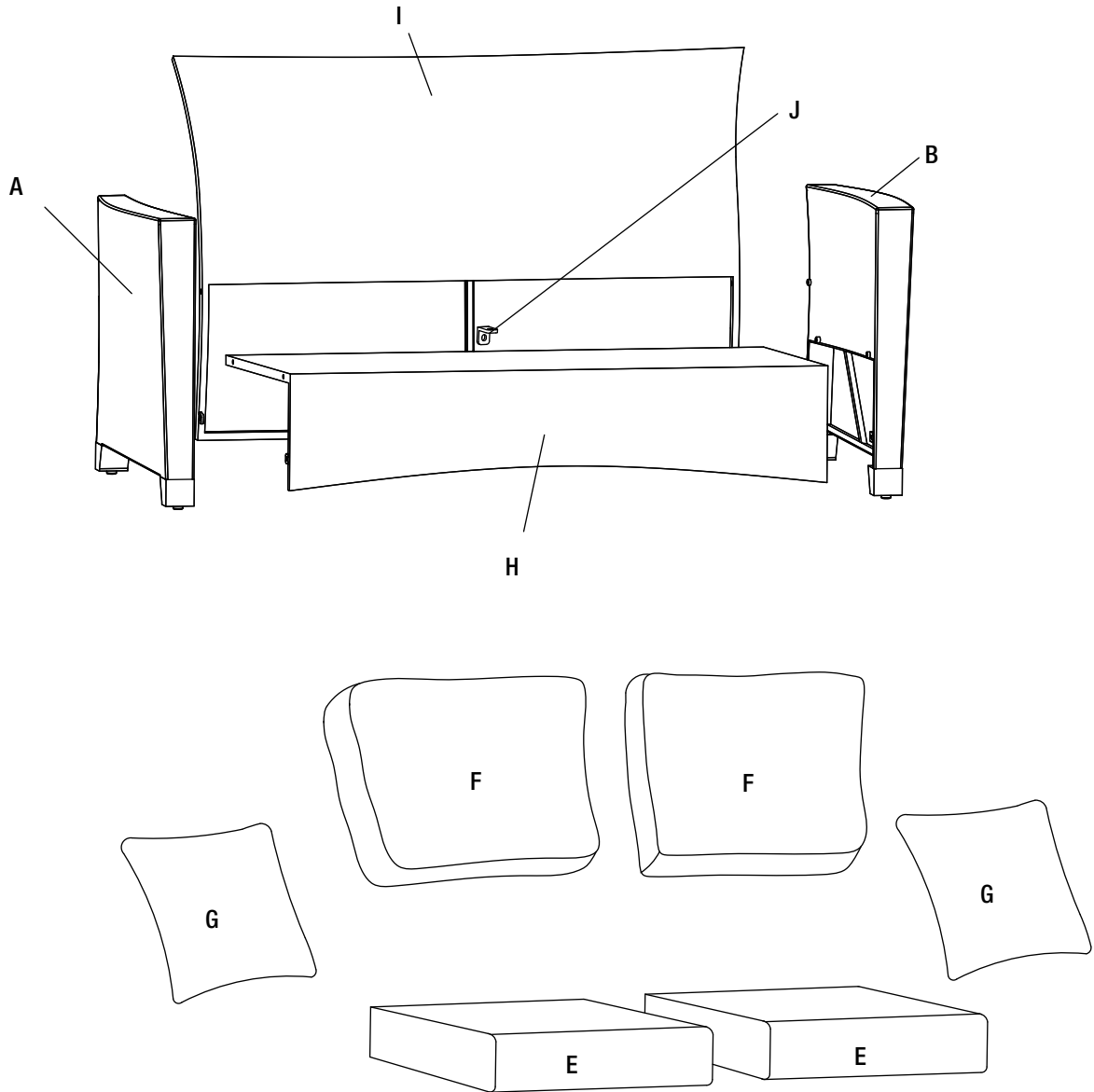
CHAIR PACKAGE CONTENTS



Part	Description	Quantity
A	Right arm	2
B	Left arm	2
C	Seat	2
D	Backrest	2
E	Seat cushion	2
F	Back cushion	2
G	Pillow	2

Pre-Assembly (continued)

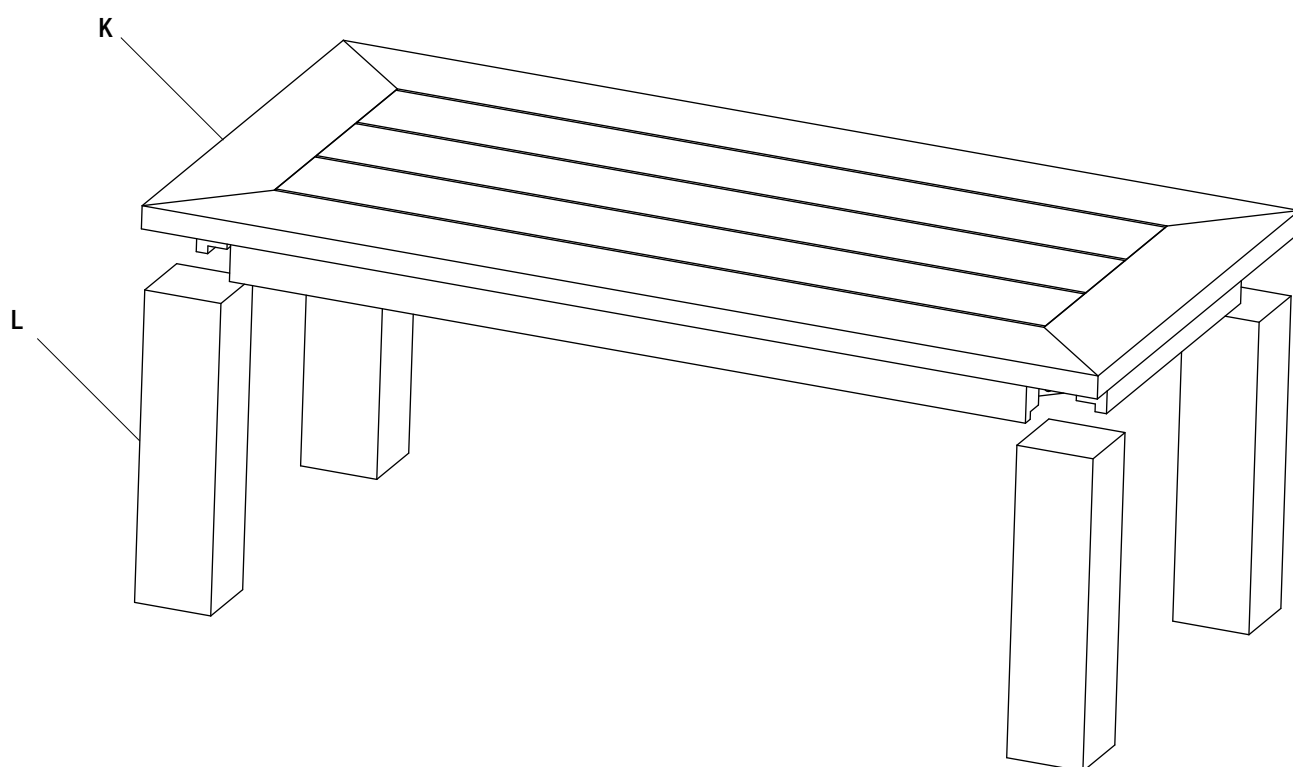
LOVESEAT PACKAGE CONTENTS



Part	Description	Quantity
A	Right arm	1
B	Left arm	1
E	Seat cushion	2
F	Back cushion	2
G	Pillow	2
H	Loveseat seat	1
I	Loveseat backrest	1
J	Corner brace	1

Pre-Assembly (continued)

TABLE PACKAGE CONTENTS



Part	Description	Quantity
K	Table top	1
L	Table leg	4

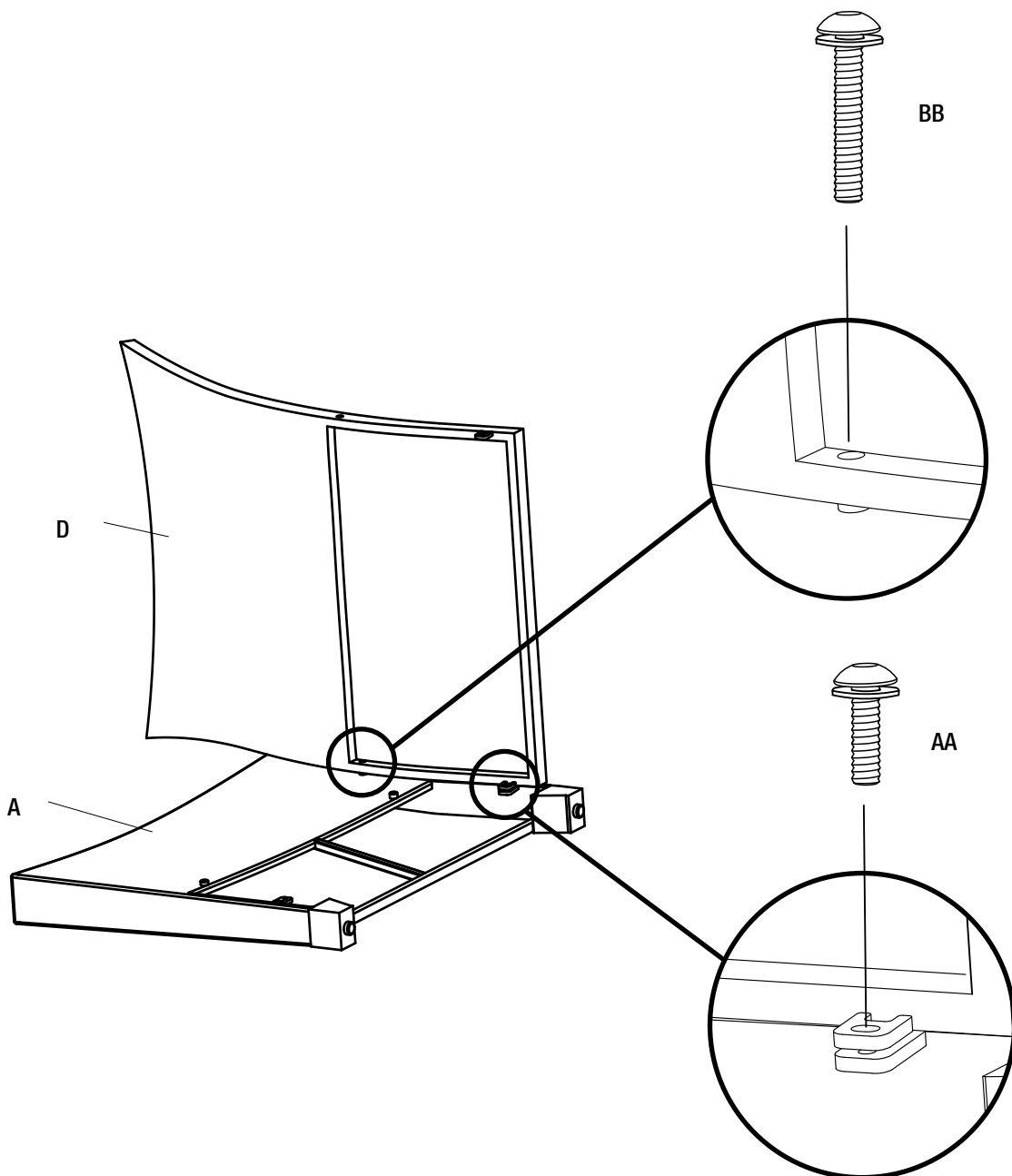
Chair Assembly

1 Connecting the right arm to the backrest

- Place the right arm (A) on a soft surface.
- Align the holes on the right side of the backrest (D) to the holes on the right arm (A).
- Insert an M6x20 combination bolt (AA) into the lower aligned hole near the foot.
- Insert an M6x35 combination bolt (BB) into the upper aligned hole.



NOTE: Loosely tighten the bolts using the hex wrench (EE).



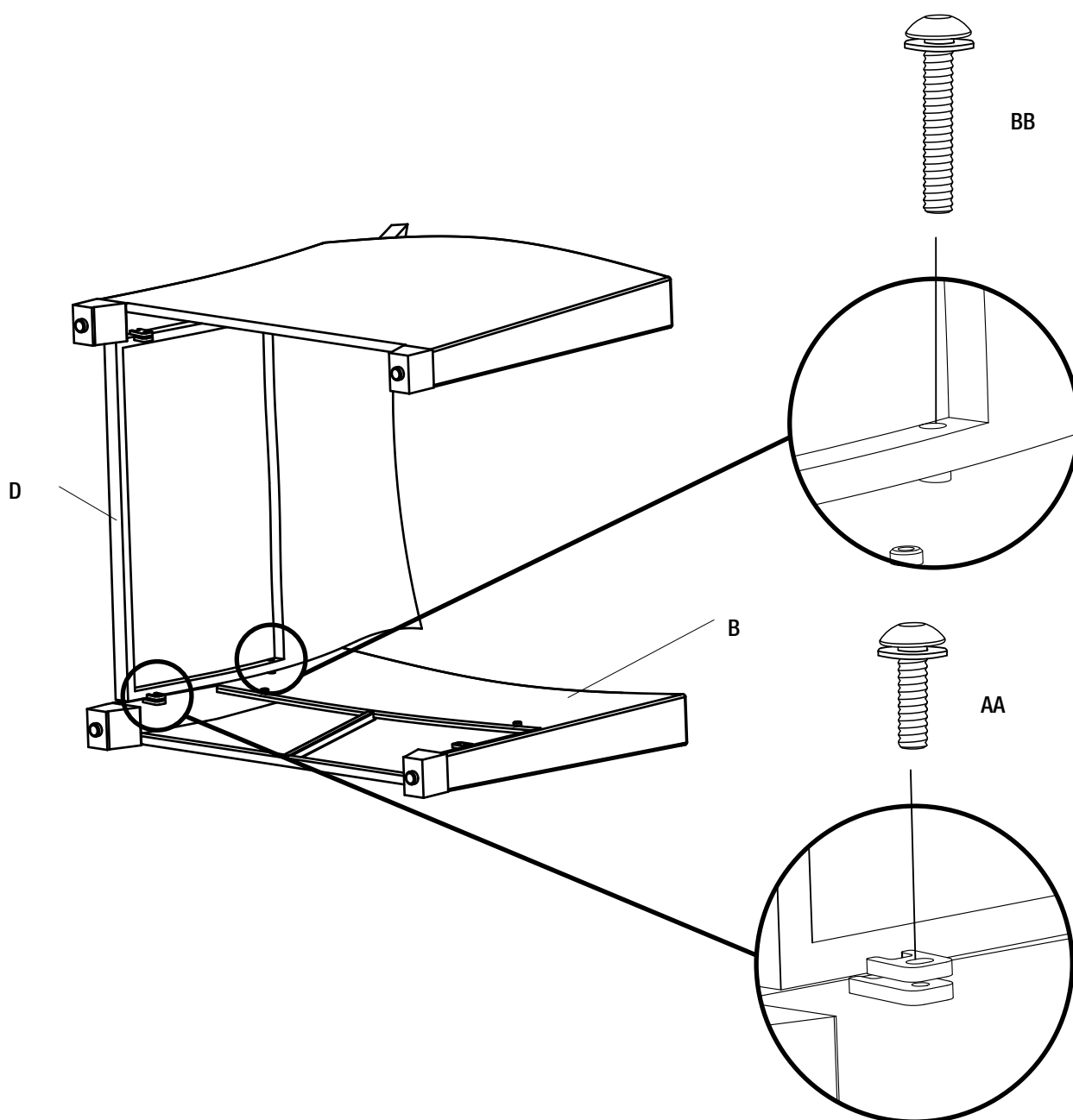
Chair Assembly (continued)

2 Connecting the left arm to the backrest

- Place the left arm (B) on a soft surface.
- Align the holes on the left side of the backrest (D) to the holes on the left arm (B).
- Insert an M6x20 combination bolt (AA) into the lower aligned hole near the foot.
- Insert an M6x35 combination bolt (BB) into the upper aligned hole.



NOTE: Loosely tighten the bolts using the hex wrench (EE).



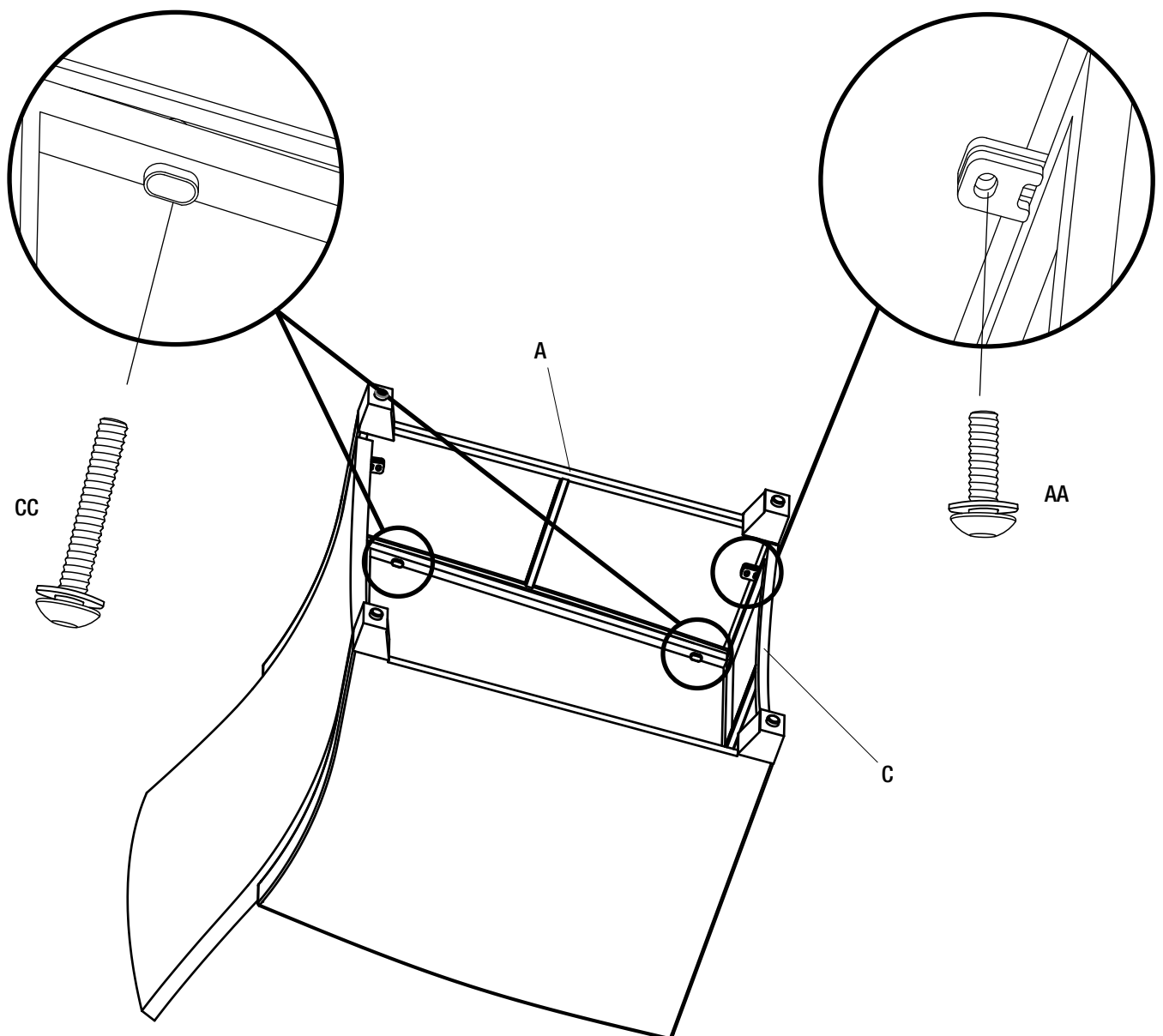
Chair Assembly (continued)

3 Connecting the seat to the right arm

- Insert the seat (C) between the right arm (A) and the left arm (B).
- Attach the seat (C) to the right arm (A) by inserting M6x40 combination bolts (CC) into the aligned holes under the seat (C).
- Insert an M6x20 combination bolt (AA) into the aligned holes near the front foot.



NOTE: Loosely tighten the bolts using the hex wrench (EE).



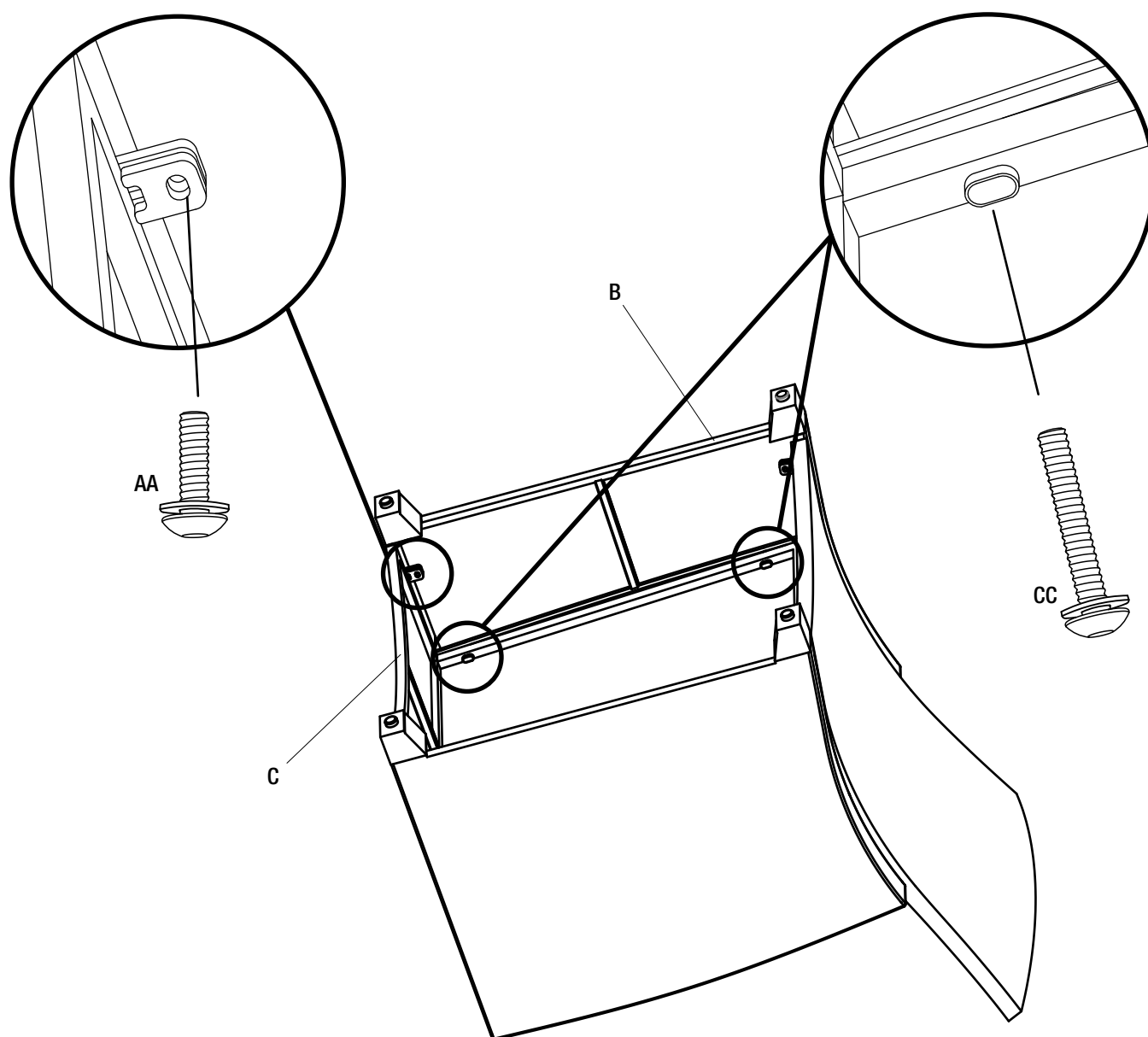
Chair Assembly (continued)

4 Connecting the seat to the left arm

- Attach the seat (C) to the right arm (A) by inserting M6x40 combination bolts (CC) into the aligned holes under the seat (C).
- Insert an M6x20 combination bolt (AA) into the aligned holes near the front foot.



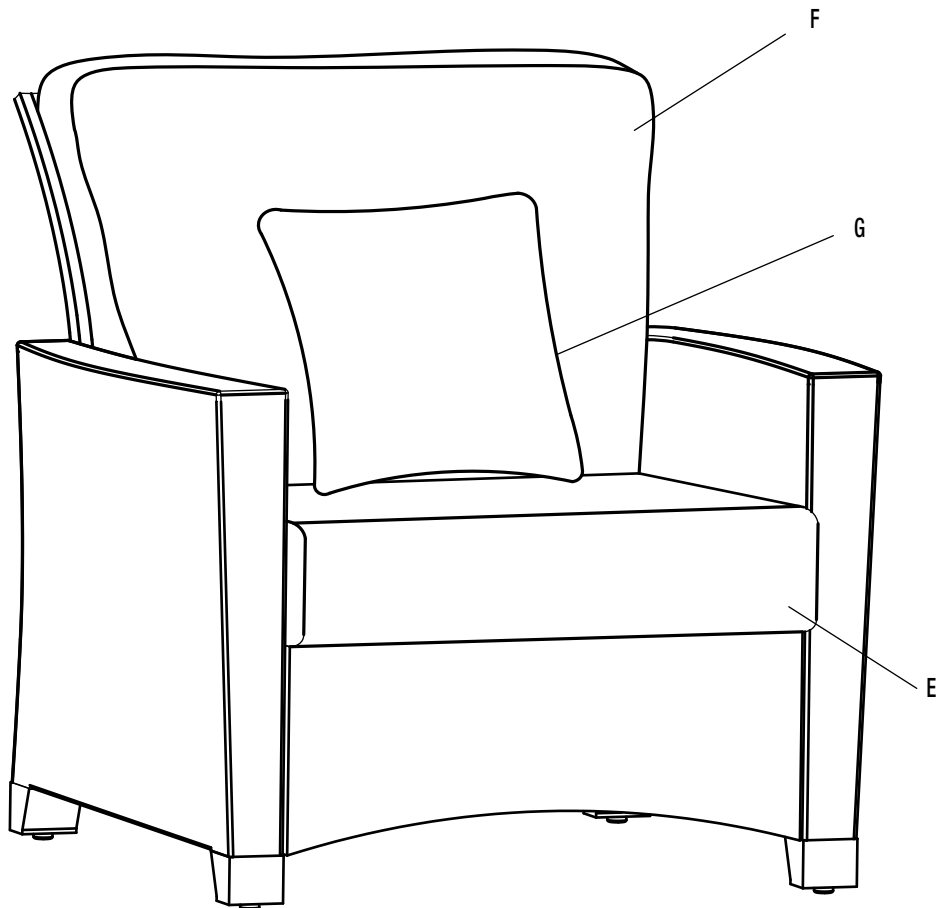
NOTE: Loosely tighten the bolts using the hex wrench (EE).



Chair Assembly (continued)

5 Tightening the bolts

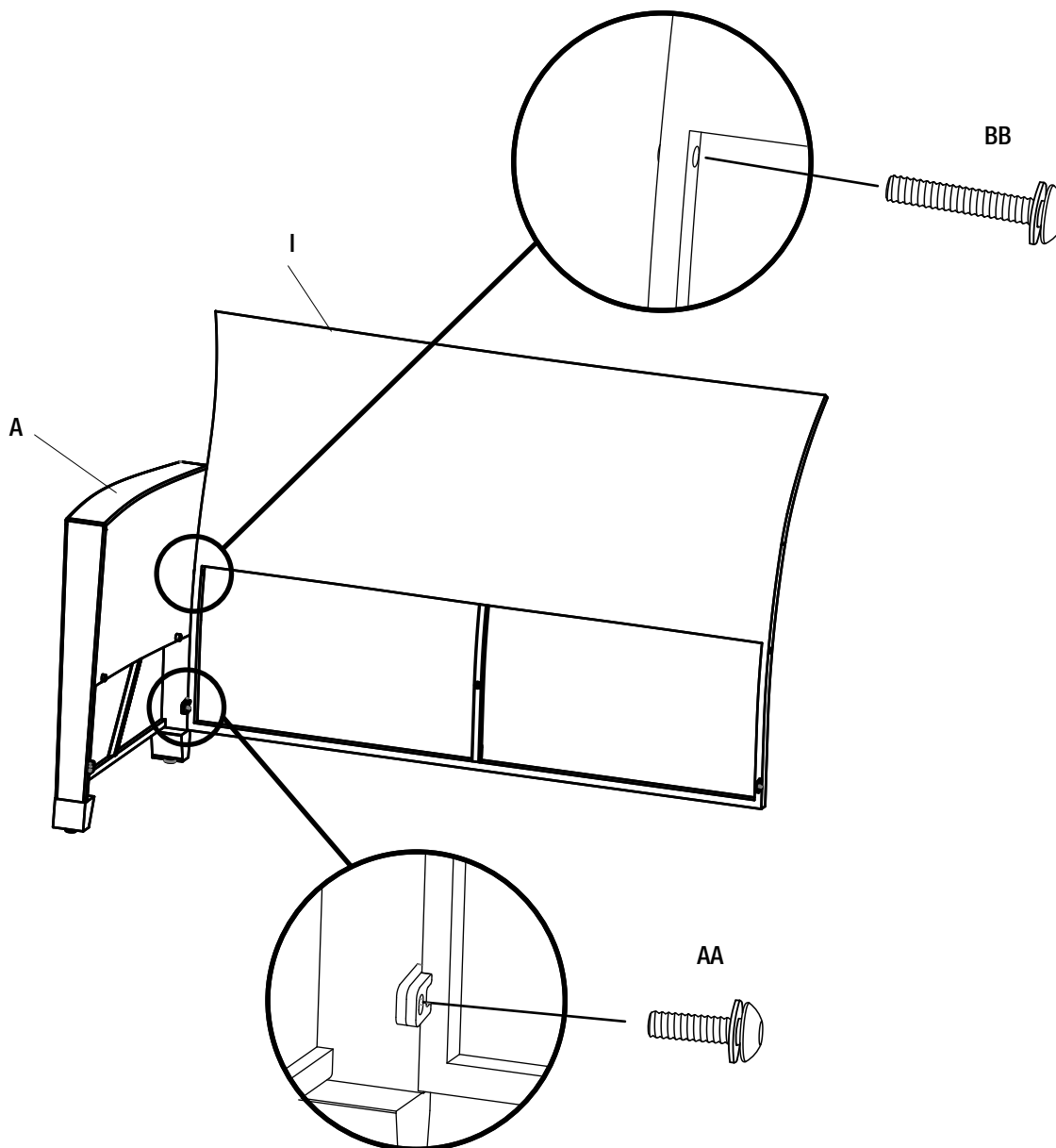
- Once all of the bolts are in place, fully tighten the bolts using the hex wrench (EE).
- Turn the chair right side up.
- Ensure all connections are secure before use.
- Place the seat cushion (E), the back cushion (F) and the pillow (G) to finish the assembly of the chair.



Loveseat Assembly

1 Connecting the right arm to the loveseat backrest

- Align the holes on the right side of the loveseat backrest (I) to the holes on the right arm (A).
- Insert an M6x20 combination bolt (AA) into the lower aligned hole near the foot.
- Insert an M6x35 combination bolt (BB) into the upper aligned hole.
- Do not fully tighten all the bolts at this step.



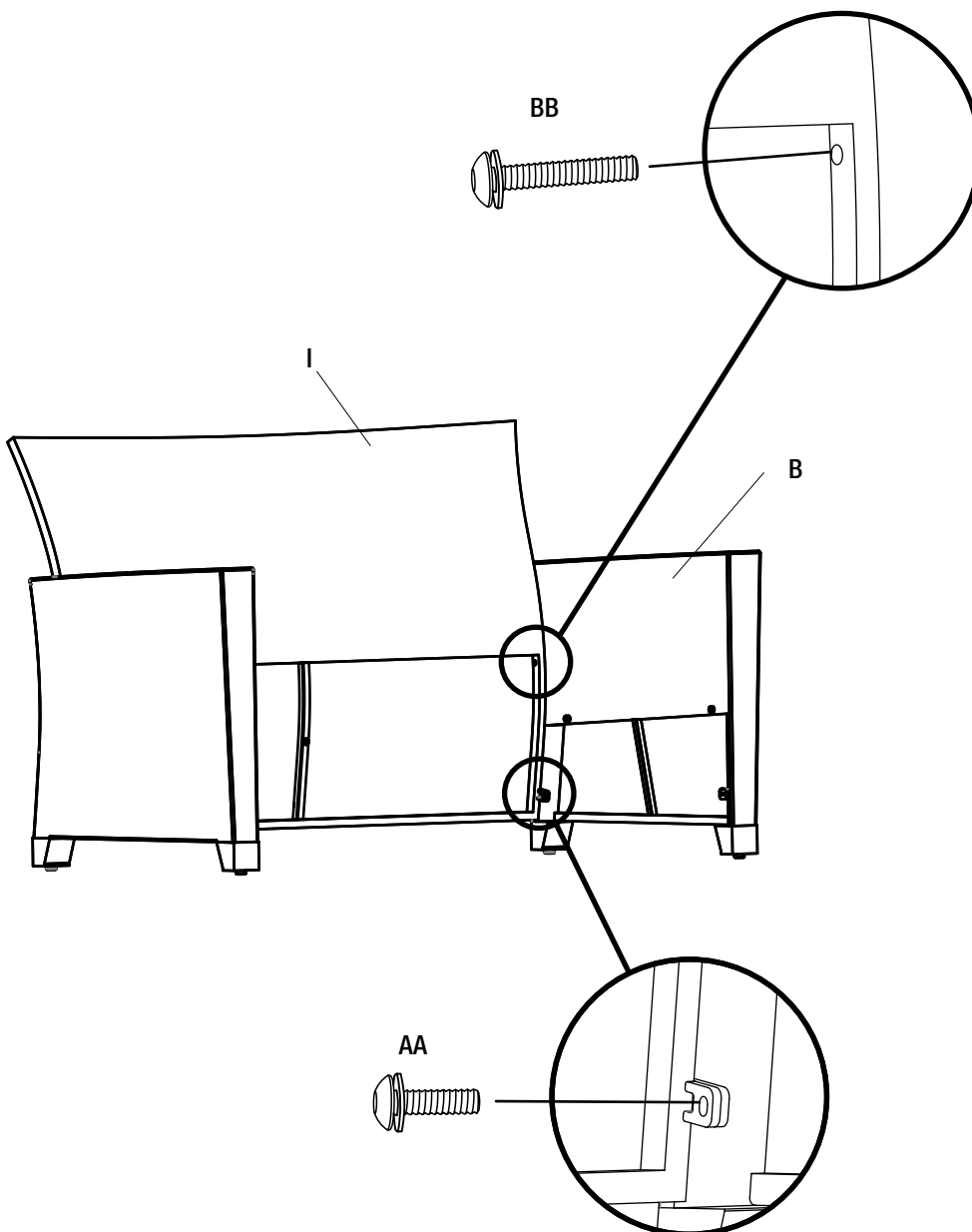
Loveseat Assembly (continued)

2 Connecting the left arm to the loveseat backrest

- Align the holes on the left side of the loveseat backrest (I) to the holes on the left arm (B).
- Insert an M6x20 combination bolt (AA) into the lower aligned hole near the foot.
- Insert an M6x35 combination bolt (BB) into the upper aligned hole.



NOTE: Loosely tighten the bolts using the hex wrench (EE).



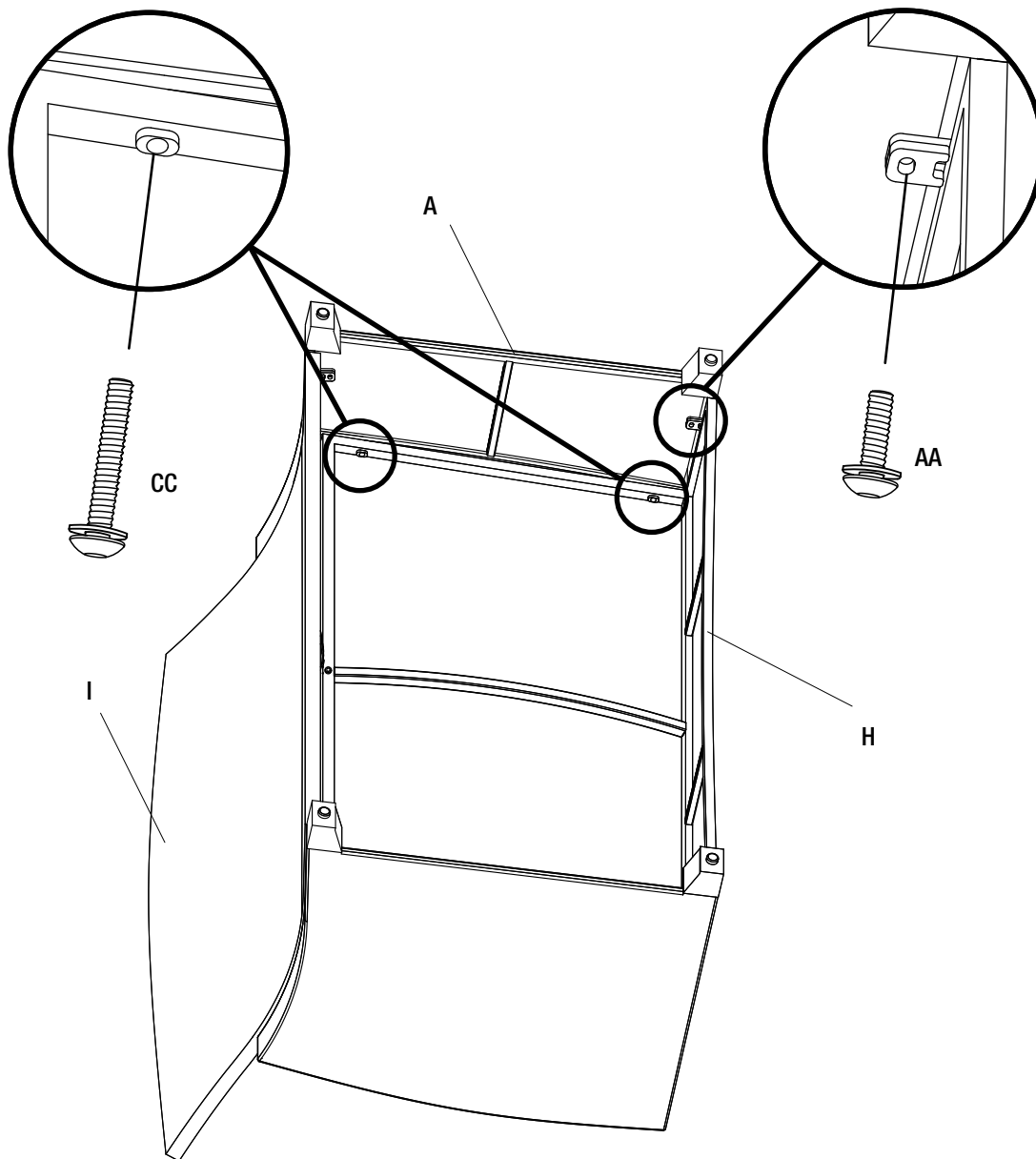
Loveseat Assembly (continued)

3 Connecting the loveseat seat to the right arm

- Turn the right arm (A), the left arm (B) and the loveseat backrest (I) upside down on a soft place.
- Attache the loveseat seat (H) to the right arm (A) by inserting M6x40 combination bolts(CC) into the aligned holes under the loveseat seat (H).
- Insert an M6x20 combination bolt (AA) in the aligned hole near the front foot.



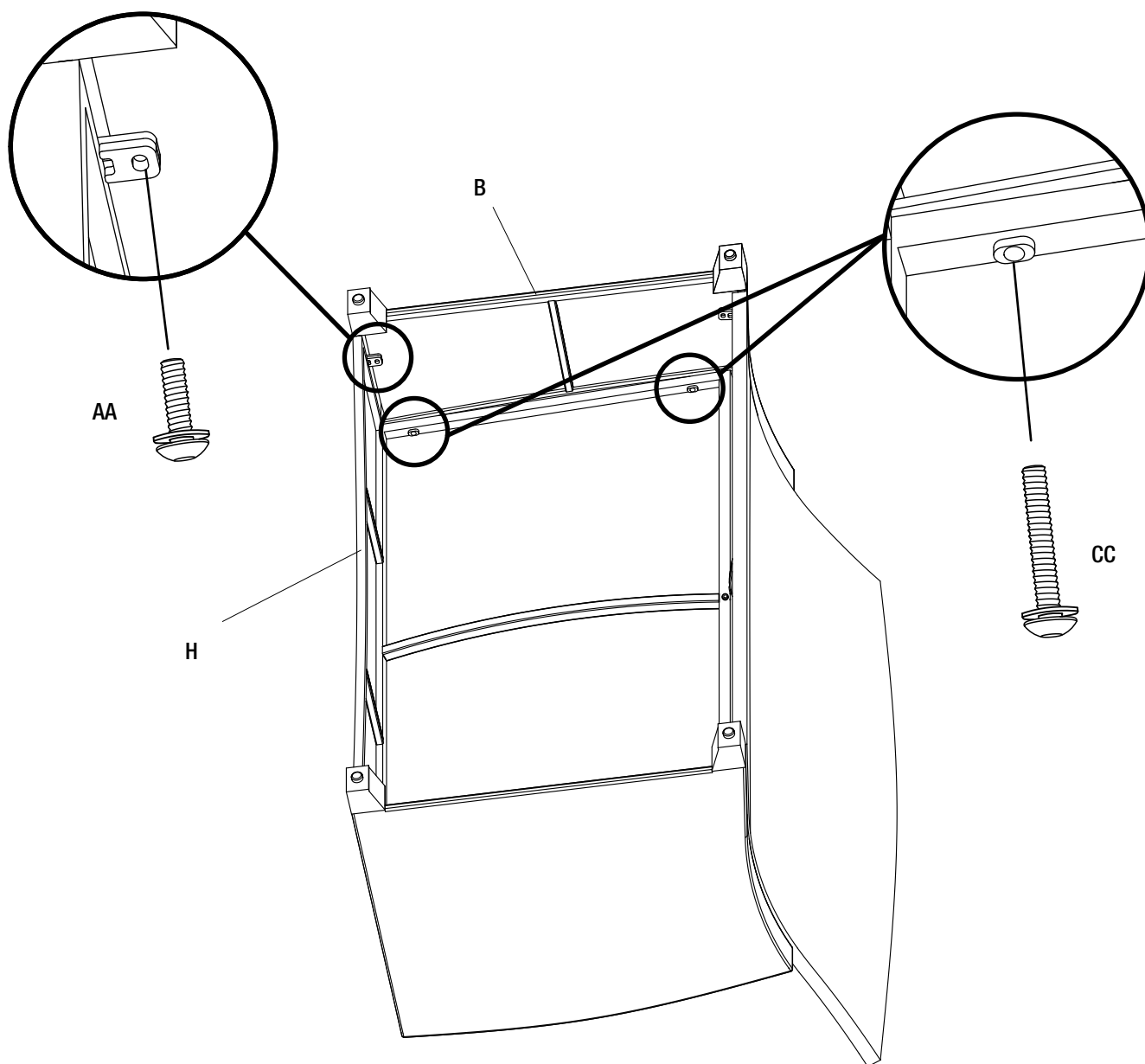
NOTE: Loosely tighten the bolts using the hex wrench (EE).



Loveseat Assembly (continued)

4 Connecting the loveseat seat to the left arm

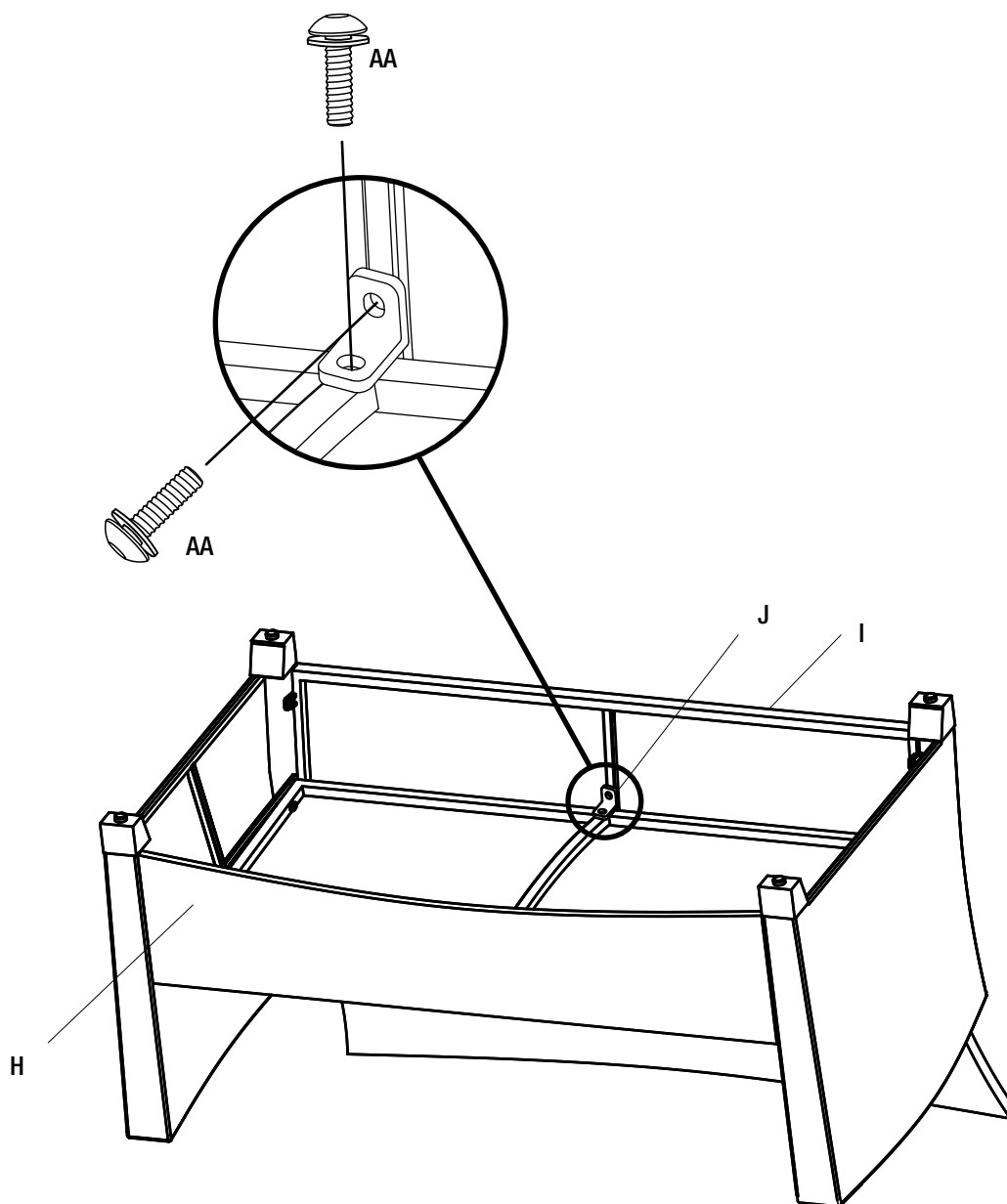
- Attached the loveseat seat (H) to the left arm (B) by inserting M6x40 combination bolts (CC) into the aligned holes under the loveseat seat (H).
- Insert an M6x20 combination bolt (AA) into the lower aligned hole near the foot.



Loveseat Assembly (continued)

5 Securing the loveseat seat to the loveseat backrest

- Secure the loveseat seat (H) to the loveseat backrest (I) by inserting M6x20 combination bolts (AA) through the corner brace (J) into the loveseat seat (H) and the loveseat backrest (I).



Loveseat Assembly (continued)

6 Tightening the bolts

- Once all of the bolts are in place, fully tighten the bolts using the hex wrench (DD).
- Turn the loveseat right side up.
- Ensure all connections are secure before use.
- Place the seat cushions (F), the back cushions (E) and the pillows (G) to finish the assembly of the loveseat.

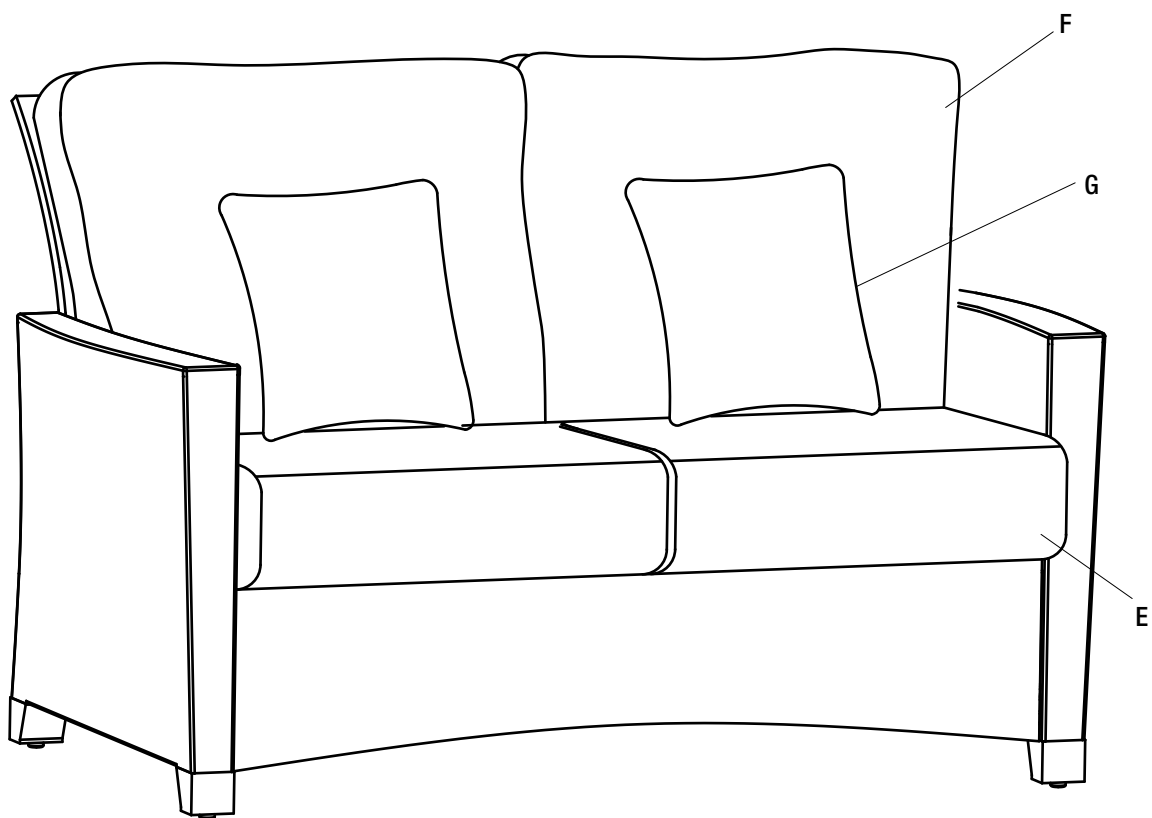


Table Assembly

1 Connecting the table legs to the table top

- Place the table top (K) upside down on a soft place.
- Attach each of the table legs (L) to the table top (K) using M8x90 combination bolts (DD).



NOTE: Loosely tighten the bolts using the wrench (FF).

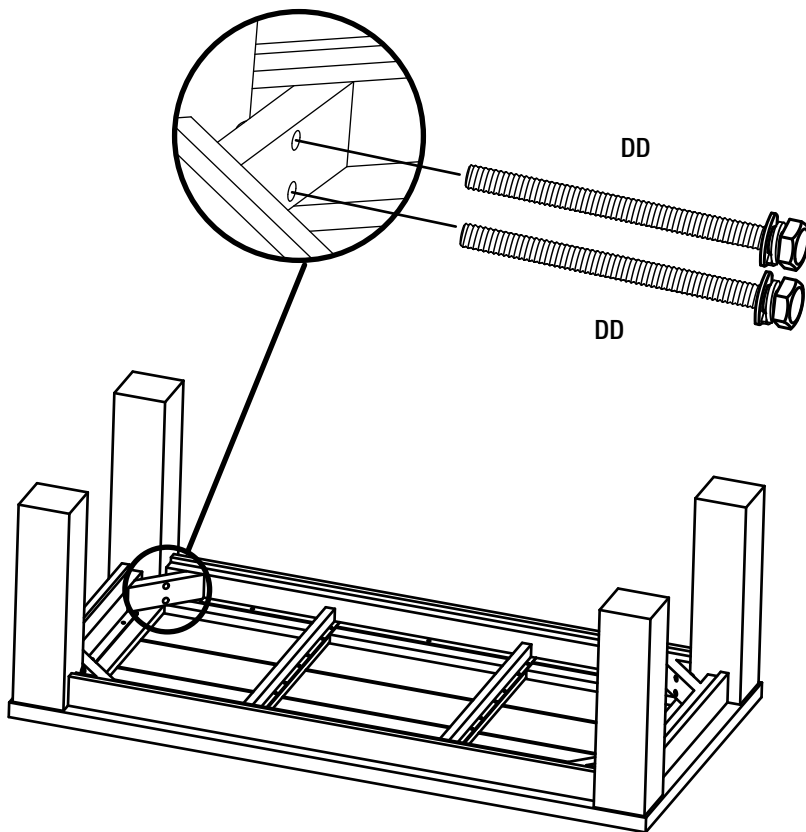
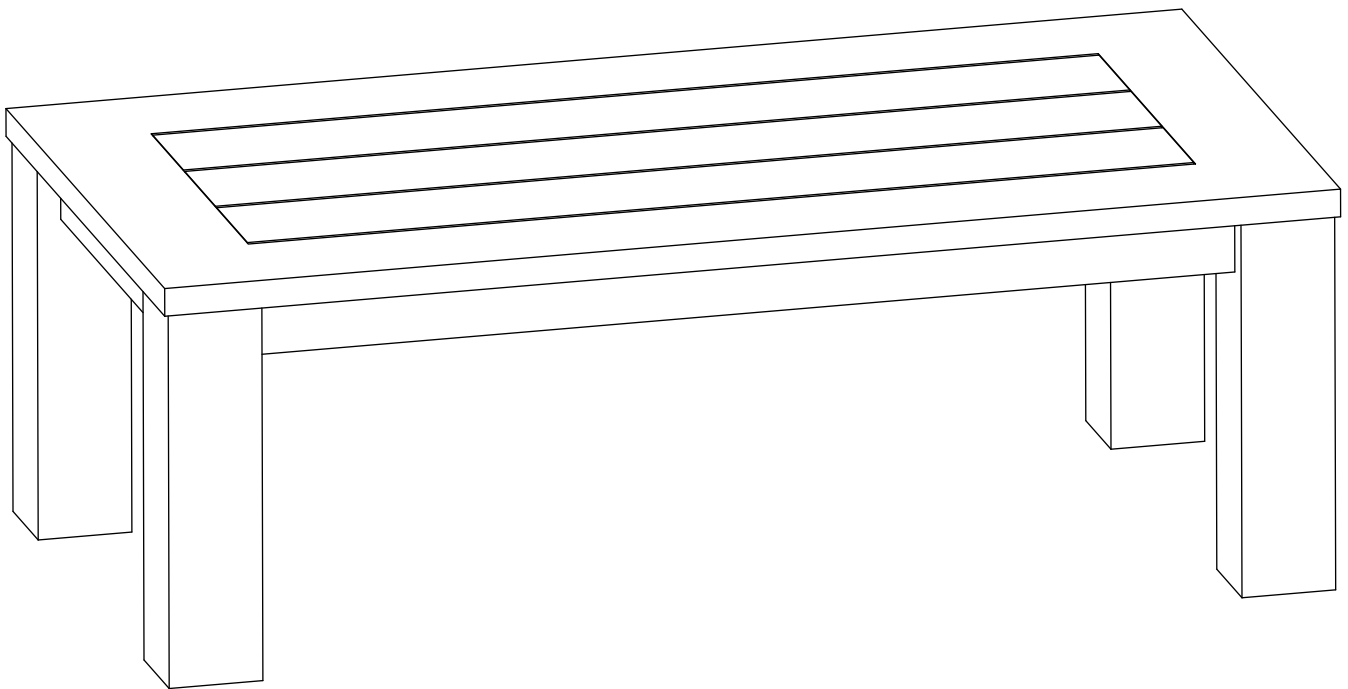


Table Assembly (continued)

2 Tightening the bolts

- Once all of the bolts are in place, fully tighten the bolts using the wrench (FF).
- Turn the Table right side up.
- Ensure all connections are secure before use.



Care and Cleaning

- For best results, clean the frame and cushions with a damp cloth and dry thoroughly. This will help prevent mildew by removing dirt particles that may accumulate.
- Do not clean with abrasive materials, bleach or solvents.
- Store the table and chairs in a dry sheltered place when not in use.
- Keep the seating set away from fire, extreme heat, freezing conditions, and inclement weather such as rain, hail, sleet, snow, or wind.



Questions, problems, missing parts? Before returning to the store,
call Hampton Bay Customer Service.
8 a.m. - 7 p.m., EST, Monday - Friday, 9 a.m. - 6 p.m., EST, Saturday

1-855-HD-HAMPTON

HAMPTONBAY.COM

Retain this manual for future use.