



Count on it.

Parts Catalog

**Flex-Force Power System™ 60V
MAX 21in Recycler®**

Lawn Mower with SmartStow®

Model No. 21356T—Serial No. 40000000 and Up



Ordering Replacement Parts

To order replacement parts, please supply the part number, the quantity, and the description of each part desired.

Understanding Reference Numbers

Each identified part in an illustration has a reference number. The reference number for a part also appears in the parts list, along with other information about the part.

This catalog uses two special reference number formats, one to indicate parts in a service assembly and another to indicate the quantity of a given part in an illustration.

Service Assembly Reference Numbers

Parts in service assemblies have reference numbers in the form a:b. The a represents the reference number of the entire service assembly and the b represents a sequential number unique to each part within the service assembly.

For example, a wheel assembly might be identified by reference number 6, the tire by 6:1, the valve by 6:2, and the wheel by 6:3. When you order the assembly identified by reference number 6, you receive all parts identified by reference numbers 6:1, 6:2, and 6:3. However, you may also order any part individually. Reference numbers of this type appear in illustration and in parts lists.

Reference Numbers Indicating Quantity

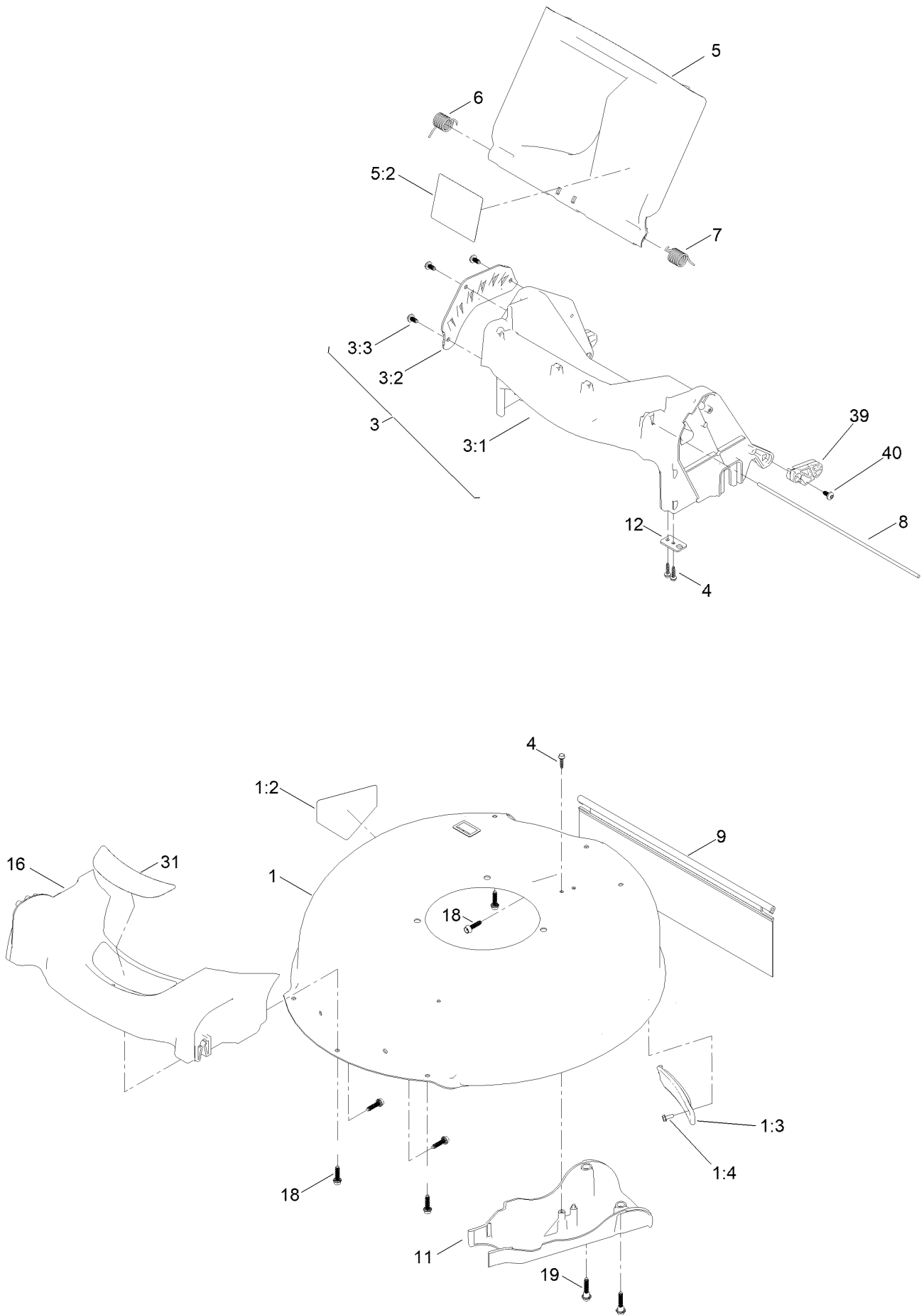
In an illustration, if a reference number indicates more than one part, the reference number has the form nX y. The n represents the quantity of the part, the X is the multiplication symbol, and the y represents the reference number.

For example, in an illustration, the reference number 2X 37 means that two of the parts identified by reference number 37 are indicated.

Contents

| | |
|-------------------------------------------------------------------------|----|
| Housing and Chute Assembly | 4 |
| Frame and Bag Assembly | 6 |
| Motor and Blade Assembly | 8 |
| Motor Module Assembly No. 138-6660 Lower Shroud Assembly | 10 |
| Motor Module Assembly No. 138-6660 Hood and Upper Shroud Assembly | 12 |
| Front Wheel and Height-of-Cut Assembly | 14 |
| Rear Wheel and Height-of-Cut Assembly | 16 |
| Lower Handle Assembly | 18 |
| Upper Handle Assembly | 20 |
| Attachments and Accessories | 22 |

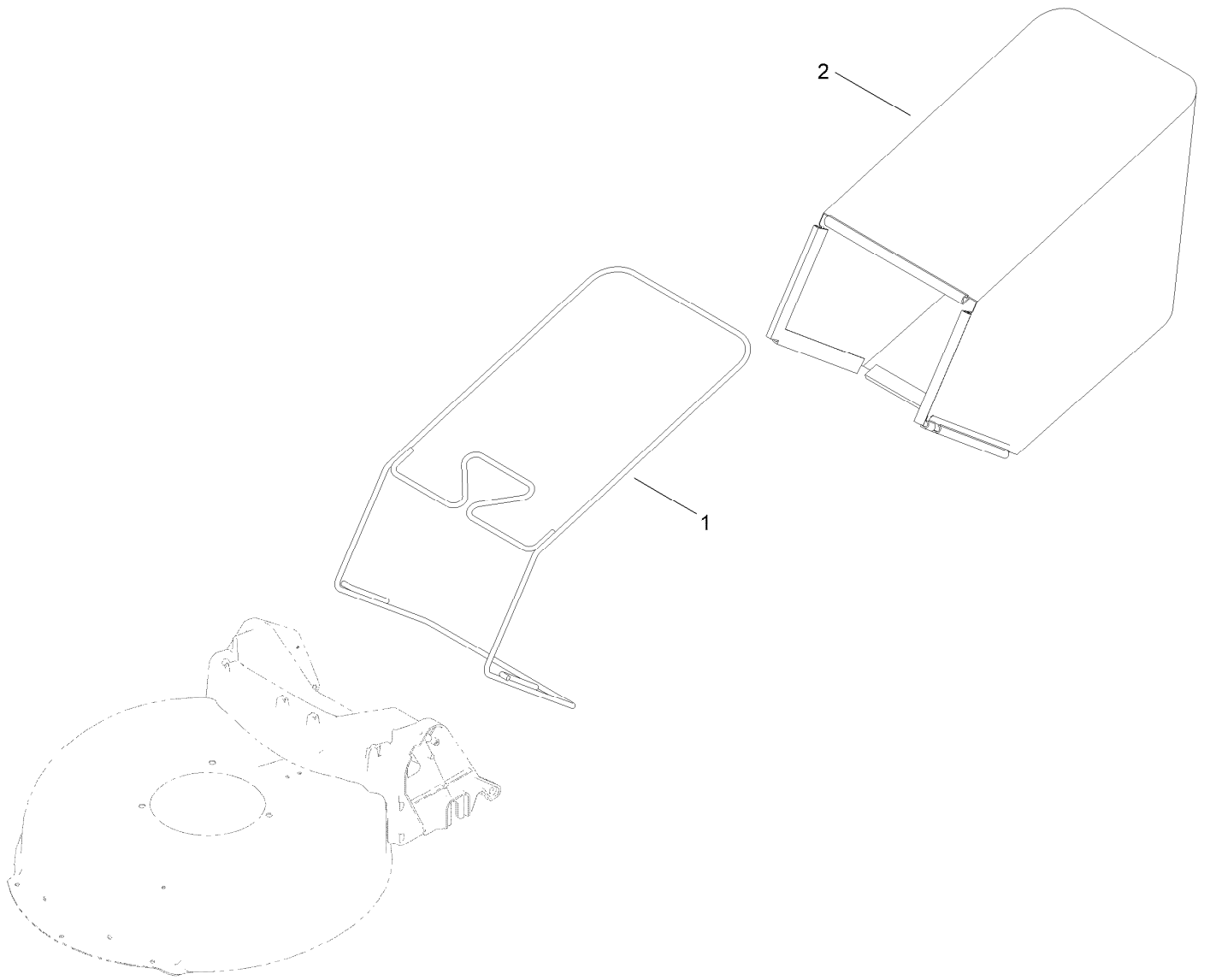
Housing and Chute Assembly



Housing and Chute Assembly (continued)

| <i>Ref.</i> | <i>Part Number</i> | <i>Qty.</i> | <i>Description</i> | <i>Ref.</i> | <i>Part Number</i> | <i>Qty.</i> | <i>Description</i> |
|-------------|--------------------|-------------|--------------------------|-------------|--------------------|-------------|-----------------------|
| 1 | 136-5906 | 1 | Housing ASM | 7 | 138-5378 | 1 | Spring-Torsion |
| 1:2 | 94-8072 | 1 | Decal-Danger | 8 | 127-0698 | 1 | Rod-Door |
| 1:3 | 132-4518 | 1 | Cover-Belt | 9 | 127-0724 | 1 | Shield-Trailing |
| 1:4 | 32144-1 | 1 | Screw-Taptite | 11 | 127-0723 | 1 | Cover-Belt |
| 3 | 139-1805 | 1 | Chute ASM | 12 | 127-0730 | 1 | Bracket-Cable |
| 3:1 | 140-4160 | 1 | Chute-Sp/Awd, 21 In | 16 | 127-0677 | 1 | Bumper |
| 3:2 | 133-1905-03 | 1 | Plate-HOC | 18 | 130-6658 | 7 | Screw-Flange, Plastic |
| 3:3 | 139-1679 | 3 | Screw-Plastic,PH | 19 | 131-0837 | 2 | Screw-Shoulder, HHF |
| 4 | 127-6831 | 3 | Screw-HWH | 31 | 144-3198 | 1 | Decal-Deck |
| 5 | 140-3830 | 1 | Rear Deflector ASM (60V) | 39 | 140-4159 | 2 | Pad-Stow, Smart |
| 5:2 | 140-3811 | 1 | Decal-Wpm Warning, 60V | 40 | 139-1679 | 2 | Screw-Plastic,PH |
| 6 | 127-6807 | 1 | Spring-Torsion | | | | |

Frame and Bag Assembly

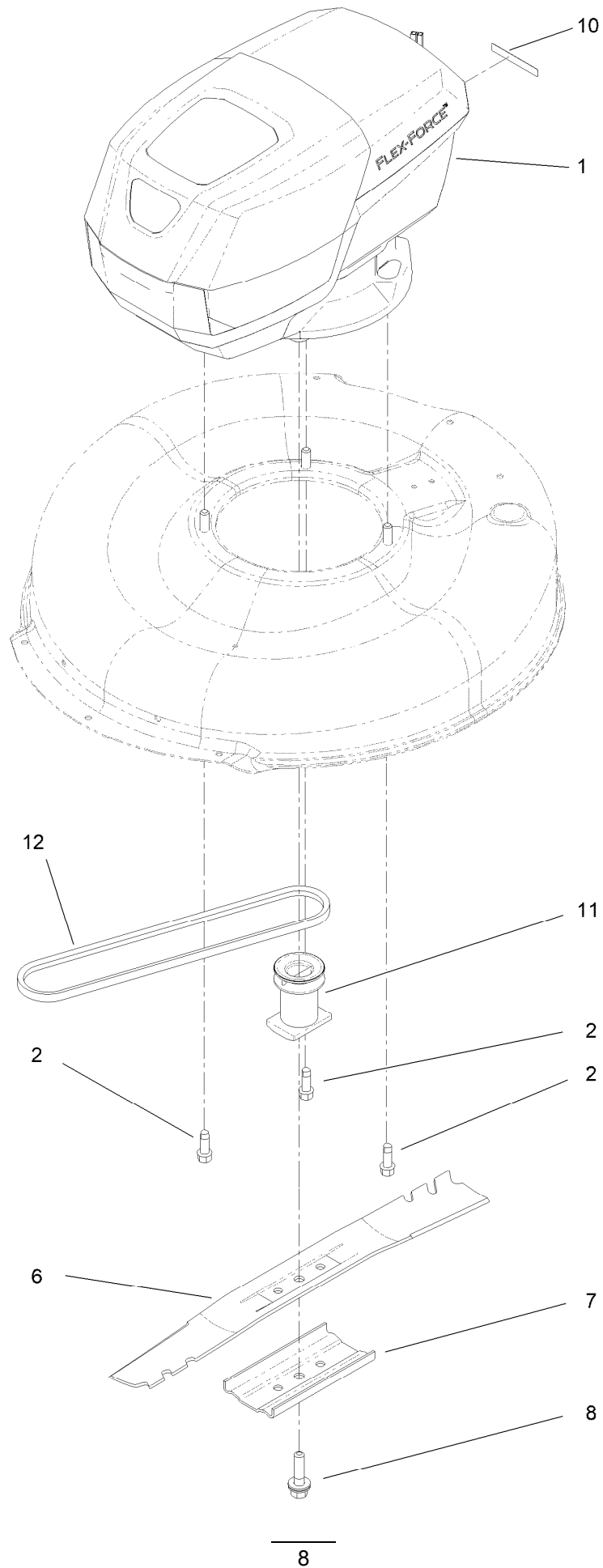


Frame and Bag Assembly (continued)

| <i>Ref.</i> | <i>Part Number</i> | <i>Qty.</i> | <i>Description</i> |
|-------------|--------------------|-------------|-----------------------|
| 1 | 131-9697-03 | 1 | Frame-Bag |
| 2 | 140-3791 | 1 | Grass Bag ASM |
| 8 | 139-8986 | 1 | Decal-Warning (Bag) ● |

● Not illustrated

Motor and Blade Assembly

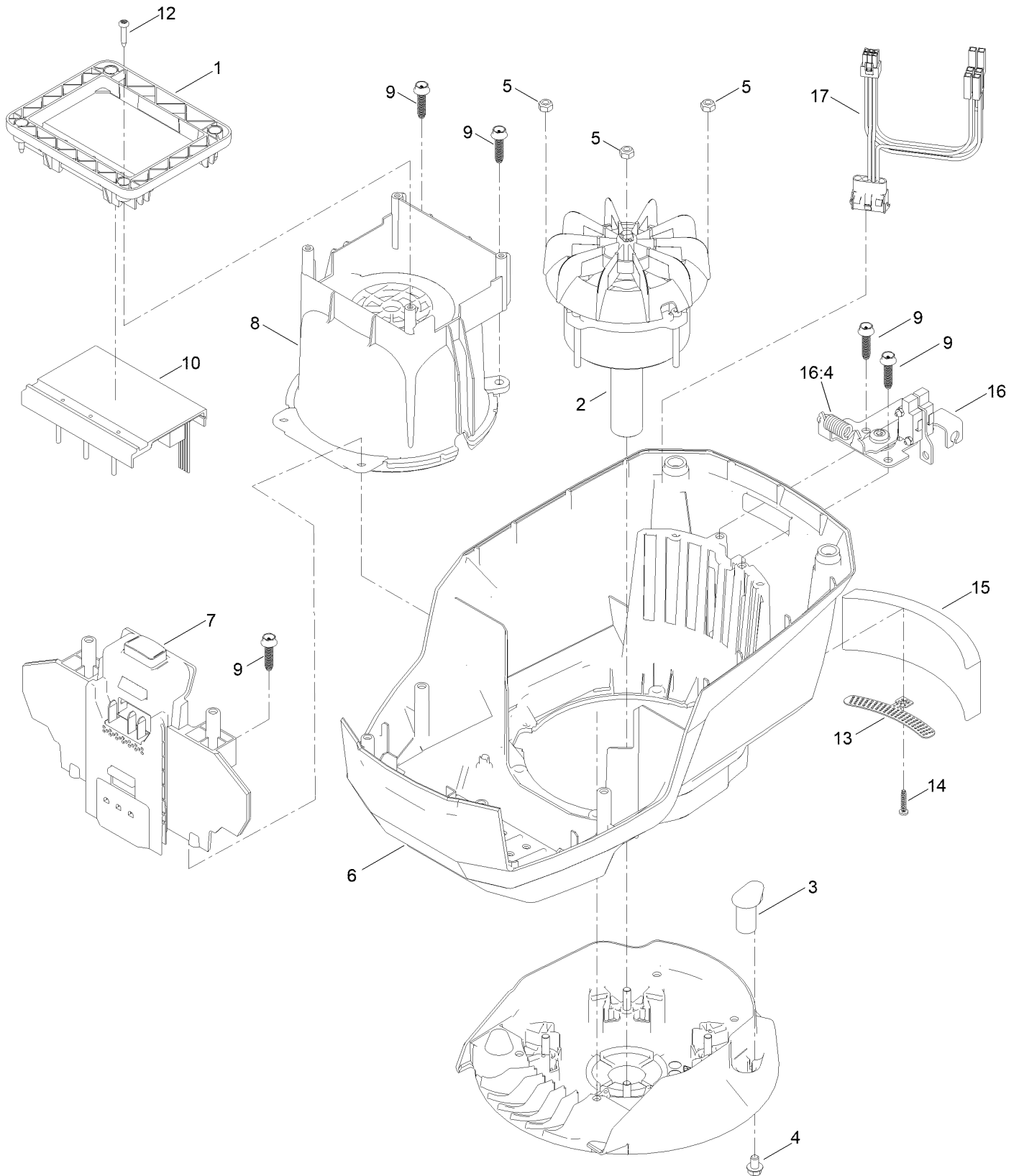


Motor and Blade Assembly (continued)

| <i>Ref.</i> | <i>Part Number</i> | <i>Qty.</i> | <i>Description</i> | <i>Ref.</i> | <i>Part Number</i> | <i>Qty.</i> | <i>Description</i> |
|-------------|--------------------|-------------|------------------------|-------------|--------------------|-------------|--------------------|
| 1 | 138-6660 | 1 | Module-Motor | 8 | 125-2466 | 1 | Bolt-Blade |
| 2 | 95-1726 | 3 | Screw-Taptite | 10 | 133-8061 | 1 | Decal-Warning |
| 6 | 140-1274-03 | 1 | Blade-21In (Mulch, Hs) | 11 | 139-1816 | 1 | Driver-Blade |
| 7 | 108-3766-03 | 1 | Support-Blade | 12 | 110-9429 | 1 | V-Belt |

Motor Module Assembly No. 138-6660

Lower Shroud Assembly



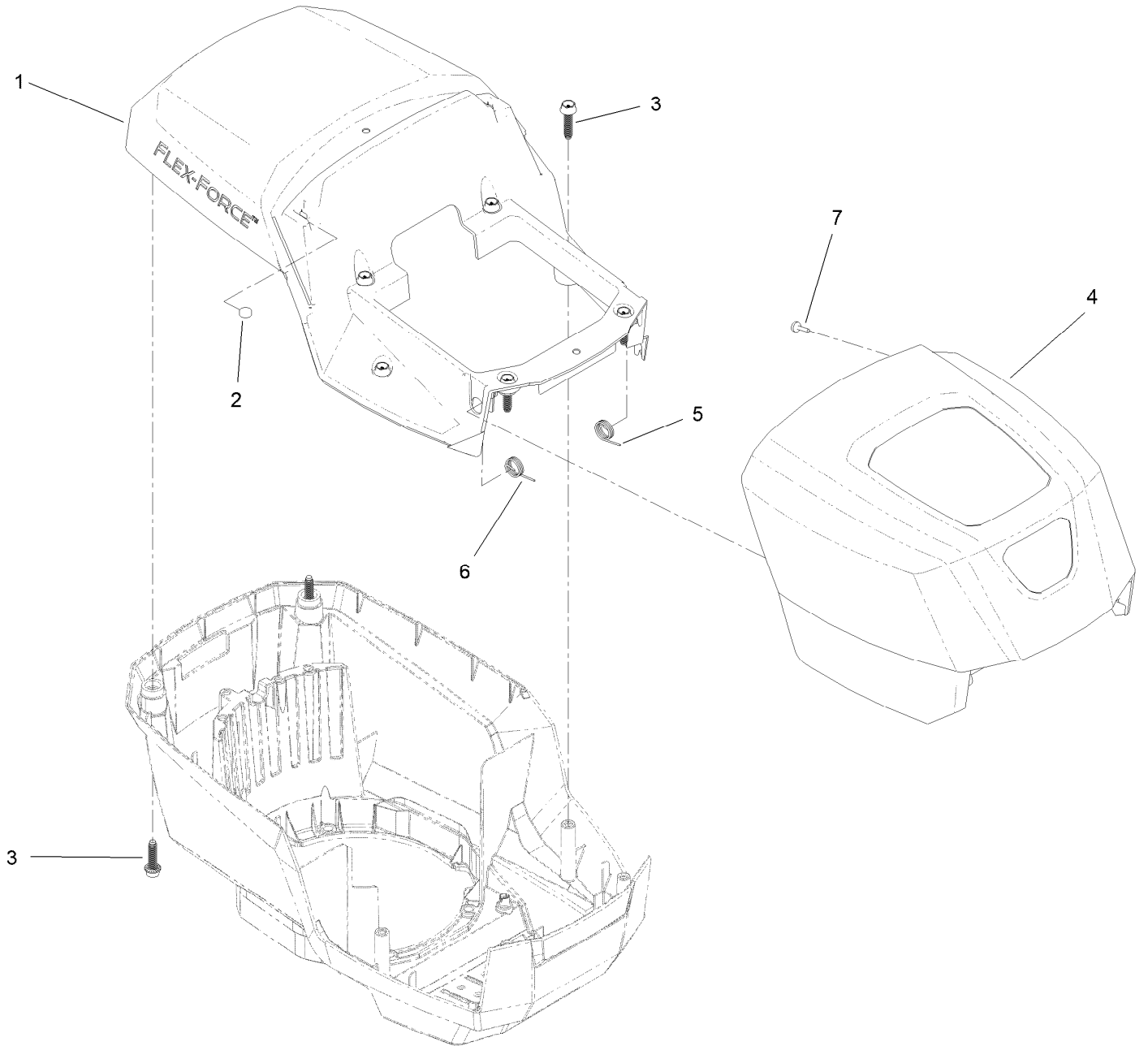
Motor Module Assembly No. 138-6660

Lower Shroud Assembly (continued)

| <i>Ref.</i> | <i>Part Number</i> | <i>Qty.</i> | <i>Description</i> | <i>Ref.</i> | <i>Part Number</i> | <i>Qty.</i> | <i>Description</i> |
|-------------|--------------------|-------------|-----------------------|-------------|--------------------|-------------|---------------------------|
| 1 | 139-6628 | 1 | Base-Mount, Motor | 10 | 138-6662 | 1 | Controller-Motor, 60 Volt |
| 2 | 138-6661 | 1 | Motor, 60 Volt | 12 | 139-6642 | 4 | Screw |
| 3 | 131-9732 | 3 | Insert-Mount, Motor | 13 | 139-6635 | 1 | Bracket-Foam |
| 4 | 137-4795 | 3 | Screw | 14 | 138-3273 | 1 | Screw-Plastic, PPH |
| 5 | 115-7373 | 4 | Nut-Lock | 15 | 139-6636 | 1 | Foam |
| 6 | 139-6631 | 1 | Shroud-Lower | 16 | 133-1918 | 1 | Bail Switch ASM |
| 7 | 139-6632 | 1 | Battery Reciever ASM | 16:4 | 104-6478 | 1 | Spring-Extension |
| 8 | 139-6633 | 1 | Shroud-Motor | 17 | 139-6637 | 1 | Harness-Wire |
| 9 | 130-6658 | 6 | Screw-Flange, Plastic | | | | |

Motor Module Assembly No. 138-6660

Hood and Upper Shroud Assembly

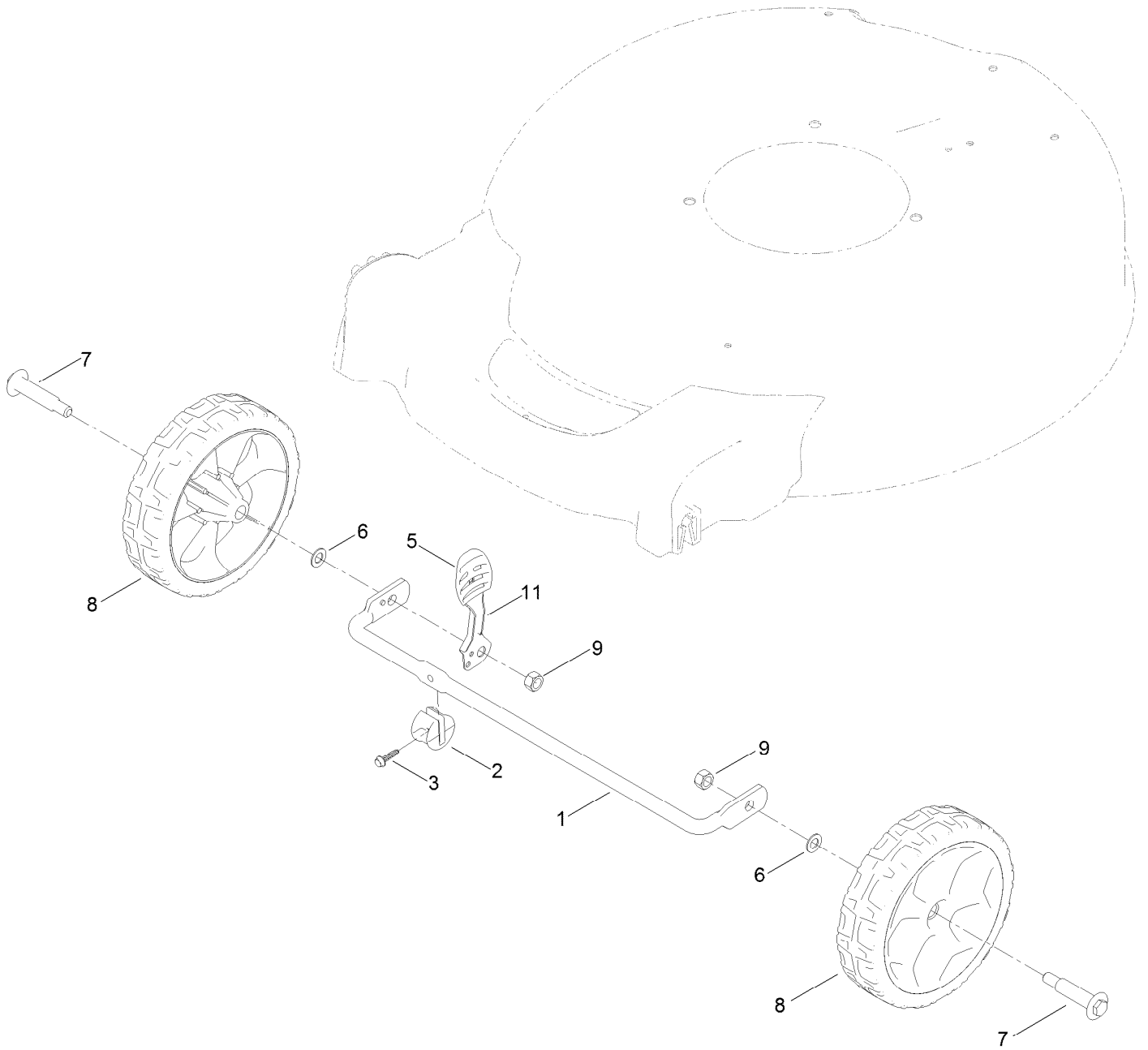


Motor Module Assembly No. 138-6660

Hood and Upper Shroud Assembly (continued)

| <i>Ref.</i> | <i>Part Number</i> | <i>Qty.</i> | <i>Description</i> | <i>Ref.</i> | <i>Part Number</i> | <i>Qty.</i> | <i>Description</i> |
|-------------|--------------------|-------------|-----------------------|-------------|--------------------|-------------|--------------------|
| 1 | 139-6638 | 1 | Shroud-Upper | 5 | 139-6640 | 1 | Spring-LH |
| 2 | 114-5896 | 2 | Magnet | 6 | 139-6641 | 1 | Spring-RH |
| 3 | 130-6658 | 8 | Screw-Flange, Plastic | 7 | 95-4234 | 2 | Screw-PPH |
| 4 | 139-6639 | 1 | Hood | | | | |

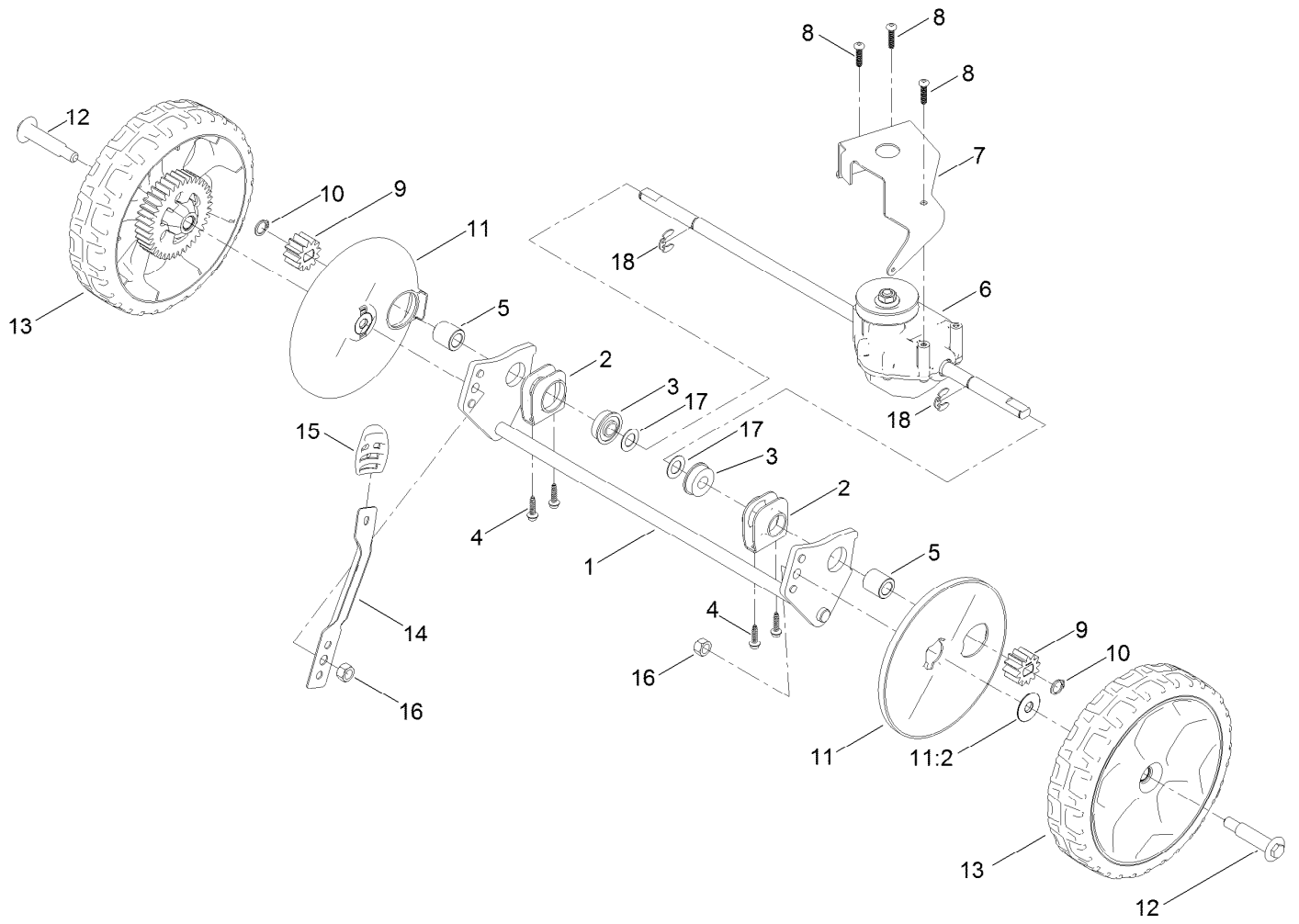
Front Wheel and Height-of-Cut Assembly



Front Wheel and Height-of-Cut Assembly (continued)

| <i>Ref.</i> | <i>Part Number</i> | <i>Qty.</i> | <i>Description</i> | <i>Ref.</i> | <i>Part Number</i> | <i>Qty.</i> | <i>Description</i> |
|-------------|--------------------|-------------|--------------------|-------------|--------------------|-------------|--------------------|
| 1 | 127-0668-03 | 1 | Axle-Front | 7 | 92-1057 | 2 | Bolt-Shoulder |
| 2 | 127-6800 | 1 | Stop-Axle | 8 | 127-0683 | 2 | 7 Inch Wheel ASM |
| 3 | 127-6831 | 1 | Screw-HWH | 9 | 603773 | 2 | Locknut |
| 5 | 105-3042 | 1 | Knob-Lever, HOC | 11 | 133-8154 | 1 | Arm-Spring |
| 6 | 40-1940 | 2 | Washer | | | | |

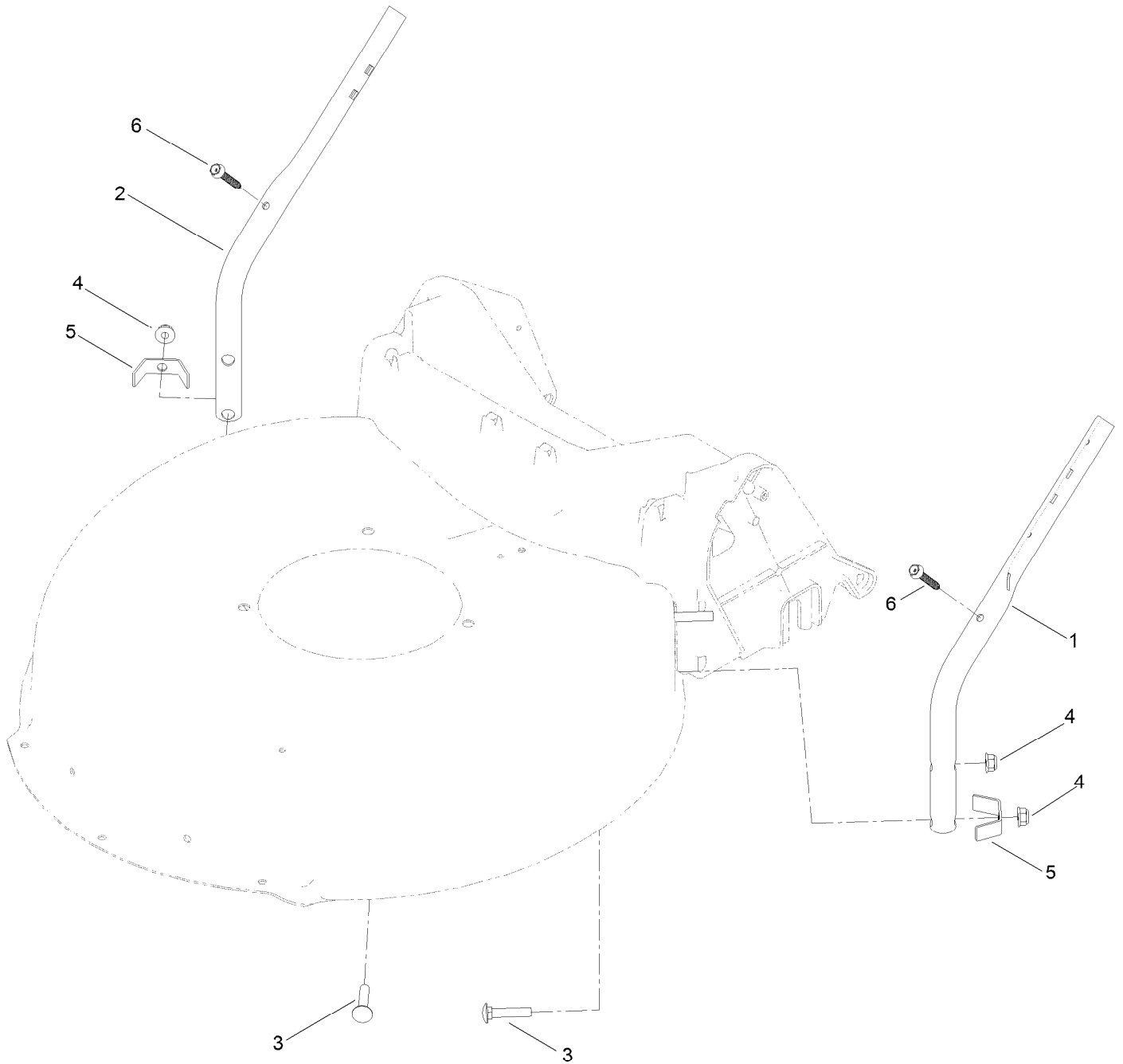
Rear Wheel and Height-of-Cut Assembly



Rear Wheel and Height-of-Cut Assembly (continued)

| <i>Ref.</i> | <i>Part Number</i> | <i>Qty.</i> | <i>Description</i> | <i>Ref.</i> | <i>Part Number</i> | <i>Qty.</i> | <i>Description</i> |
|-------------|--------------------|-------------|----------------------|-------------|--------------------|-------------|-----------------------|
| 1 | 127-0708-03 | 1 | Axle-Rear | 11 | 127-6840 | 2 | Wheel Cover ASM |
| 2 | 138-3234 | 2 | Retainer-Bearing | 11:2 | 614426 | 1 | Washer-Stepped |
| 3 | 104-8699 | 2 | Bearing-Ball | 12 | 92-1057 | 2 | Bolt-Shoulder |
| 4 | 127-6831 | 4 | Screw-HWH | 13 | 127-0692 | 2 | 8 Inch Wheel Gear ASM |
| 5 | 127-6896 | 2 | Bushing-Sleeve | 14 | 127-0711 | 1 | Arm-Spring |
| 6 | 131-0881 | 1 | Transmission | 15 | 105-3042 | 1 | Knob-Lever, HOC |
| 7 | 114-7977-03 | 1 | Bracket-Transmission | 16 | 603773 | 2 | Locknut |
| 8 | 108-7476 | 3 | Screw-Plastite | 17 | 36-4780 | 2 | Washer-Plain |
| 9 | 115-4668 | 2 | Gear-Pinion | 18 | 65-2720 | 2 | Ring-Retaining, Clip |
| 10 | 32151-61 | 2 | Ring-Retaining | | | | |

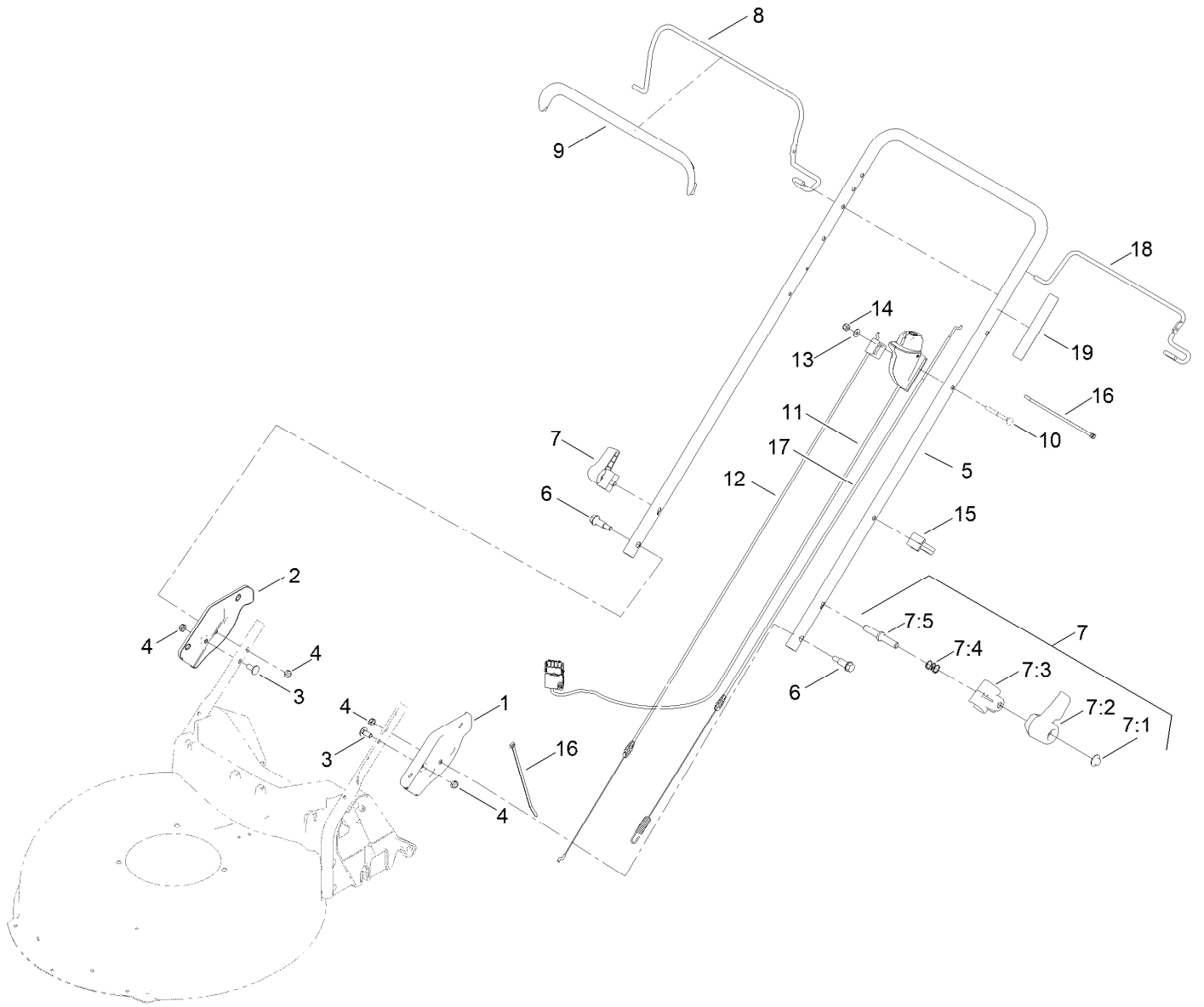
Lower Handle Assembly



Lower Handle Assembly (continued)

| <i>Ref.</i> | <i>Part Number</i> | <i>Qty.</i> | <i>Description</i> | <i>Ref.</i> | <i>Part Number</i> | <i>Qty.</i> | <i>Description</i> |
|-------------|--------------------|-------------|--------------------|-------------|--------------------|-------------|------------------------|
| 1 | 136-5923-05 | 1 | Handle-Lower, LH | 4 | 130-6655 | 4 | Nut-Flange, NI |
| 2 | 136-5924-05 | 1 | Handle-Lower, RH | 5 | 127-0699 | 2 | Bracket-Chute |
| 3 | 130-6654 | 4 | Bolt-CARR | 6 | 130-6659 | 2 | Screw-Flange, Serrated |

Upper Handle Assembly



Upper Handle Assembly (continued)

| <i>Ref.</i> | <i>Part Number</i> | <i>Qty.</i> | <i>Description</i> | <i>Ref.</i> | <i>Part Number</i> | <i>Qty.</i> | <i>Description</i> |
|-------------|--------------------|-------------|--------------------|-------------|--------------------|-------------|----------------------------|
| 1 | 140-3973-05 | 1 | Plate-Handle, LH | 8 | 138-3269-03 | 1 | Bail-Brake |
| 2 | 140-3974-05 | 1 | Plate-Handle, RH | 9 | 127-6847 | 1 | Cover-Bail |
| 3 | 137-3061 | 2 | Bolt-CARR | 10 | 92-2270 | 1 | Screw-Handle |
| 4 | 137-3089 | 4 | Nut-Hex | 11 | 133-8140 | 1 | Starter Switch ASM |
| 5 | 131-4569-05 | 1 | Handle | 12 | 137-9169 | 1 | Cable-Brake, HP |
| 6 | 130-2344 | 2 | Bolt-Shoulder | 13 | 3256-1 | 1 | Washer-Flat |
| 7 | 138-3249 | 2 | Quick Release ASM | 14 | 3296-73 | 1 | Nut-Lock, NI |
| 7:1 | 140-4157 | 1 | Nut-Push | 15 | 114-7988 | 1 | Guide-Cable |
| 7:2 | 138-3248 | 1 | Lever-Release | 16 | 614249 | 2 | Tie-Cable |
| 7:3 | 138-3253 | 1 | Anchor-Spring | 17 | 127-0733 | 1 | Cable-Traction |
| 7:4 | 115-2858 | 1 | Spring-Compression | 18 | 131-0835-03 | 1 | Bail-Traction |
| 7:5 | 140-4158 | 1 | Rod-Release | 19 | 144-3175 | 1 | Decal-Controls (60V Start) |

Attachments and Accessories

For 21356T Flex-Force Power System 60V MAX 21in Recycler Lawn Mower with SmartStow

| Product Name | Model/Part |
|----------------------------------------------------------------------|-------------------|
| 60V Battery Charger 2 AMP | 88602 |
| Side-Discharge Deflector, 2013 and After 21in Steel Deck Mower | 136-7060 |
| Lawnmower Cover..... | 490-7462 |
| 60V LI-ION Battery 6.0 AH..... | 88660 |
| 60V LI-ION Battery 7.5 AH..... | 88675 |
| Bag-Walk Behind (Toro)..... | 490-7318 |
| Lawn Striping Kit with 22in Roller..... | 20601 |
| 60V LI-ION, Battery 4.0 AH | 88640 |
| 60V Cordless Trimmer (Bare Tool)..... | 51830T |
| 60V Cordless Blower (Bare Tool)..... | 51820T |

Notes:



Count on it.