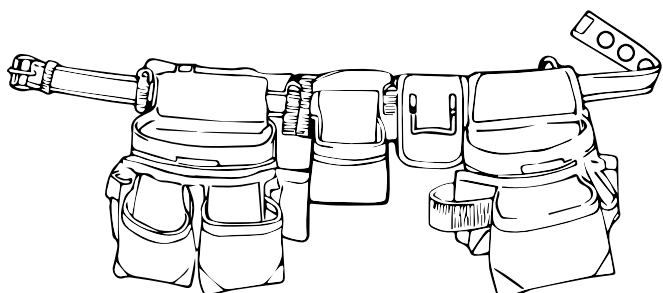
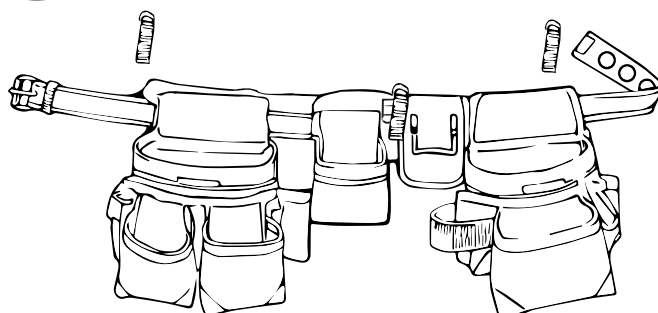


1



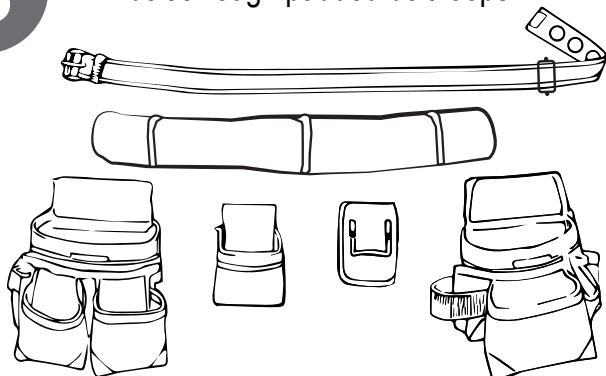
2

- Remove D-Rings on outside of belt
- *Note, one side is attached, cut light gray binding with scissors



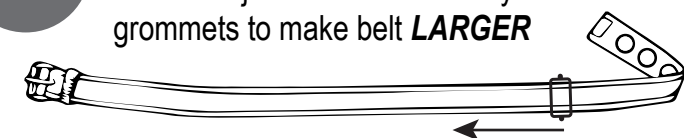
3

- Remove all pouches and pull webbing belt through padded belt loops

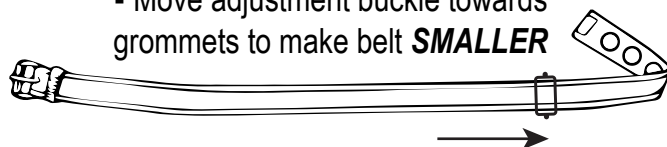


4

- Move adjustment buckle away from grommets to make belt **LARGER**



- Move adjustment buckle towards grommets to make belt **SMALLER**



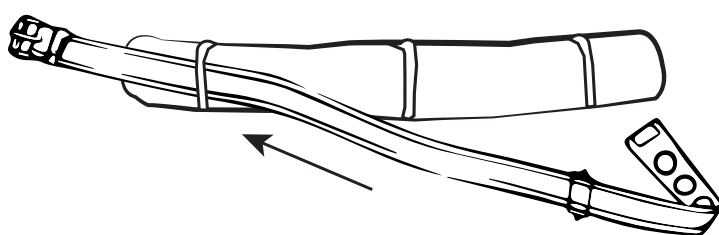
5

- Check the sizing, make sure it is not too tight or too loose



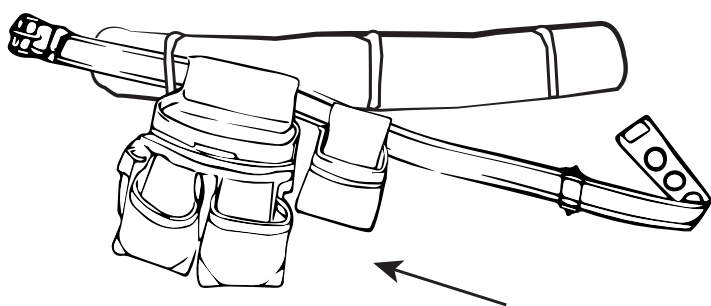
6

- Starting on one side of the padded belt, slip webbing belt through first loop



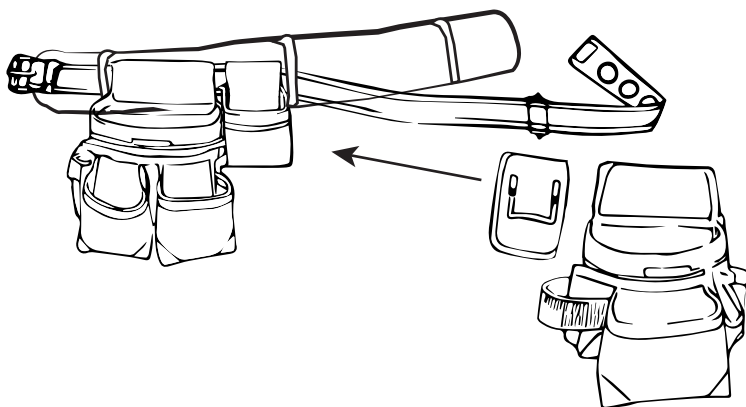
7

- Slide pouches on to webbing belt in the position of your choosing



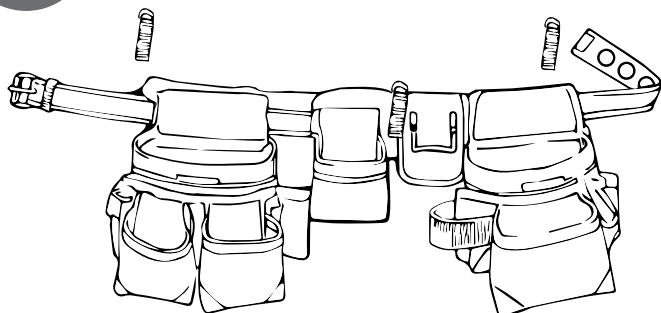
8

- Slide webbing belt through the middle padded belt loop and continue arranging pouches as desired



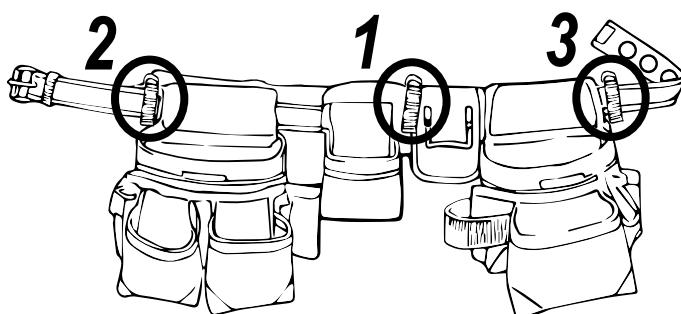
8

- Replace D-Rings on outside of belt



9

- Starting with middle D-Ring, match each suspender strap clip with corresponding D-Ring



10

