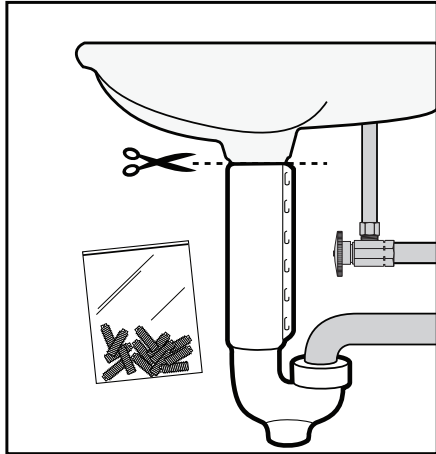
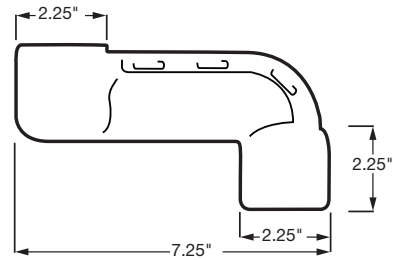


# Professional installation

Measure to determine length of pipe to be covered, with scissors or tin shears, cut to length using cutlines on inside of cover, apply the integrally molded fasteners, press together to provide an easy seamless fit.

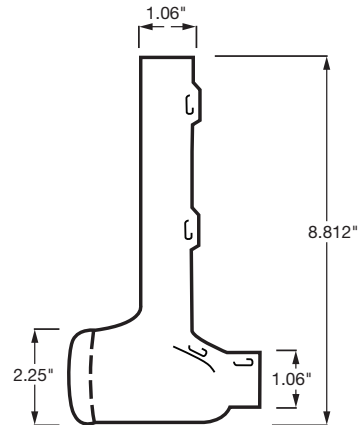


**OFFSET GRID  
STRAINER COVER\***

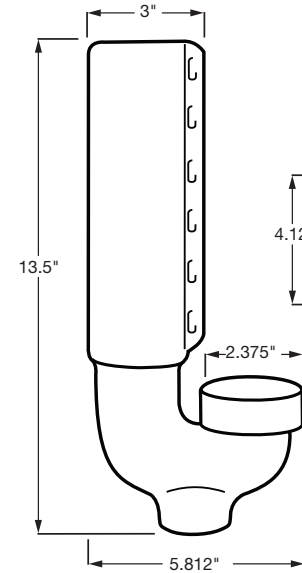


\* Included in K503KN only

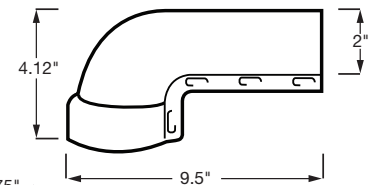
**ANGLE VALVE  
SHUTOFF COVER**



**J-BEND COVER**



**WALL TUBE COVER**



Trap Wrap fits 1-1/2" or 1-1/4" tubular or cast brass p-traps and 1-1/2" or 1-1/4" tubular PVC or ABS p-traps, all angle shut off valves and 5" x 1-1/4" diameter wheel chair offset grid strainers.

**IMPORTANT:** Will not fit schedule 40 p-trap.

