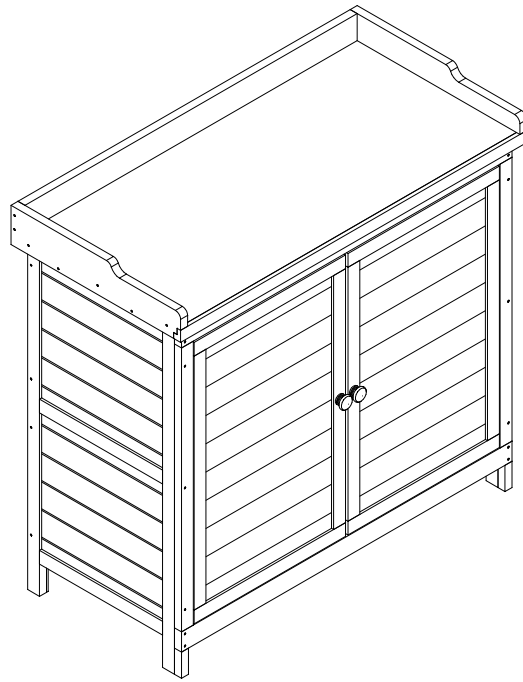
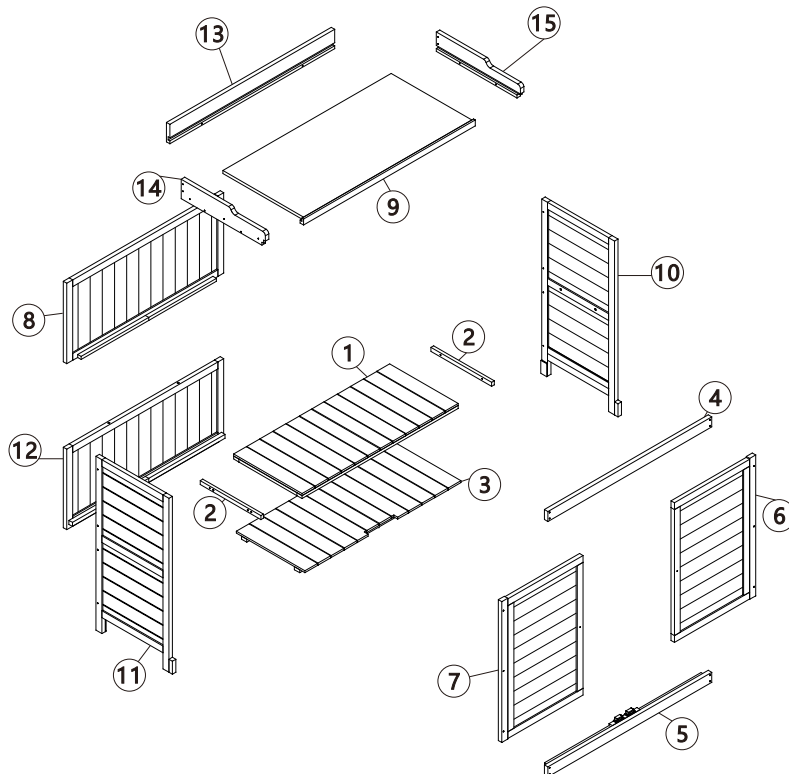


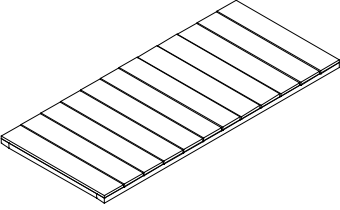
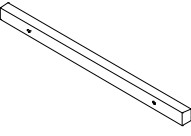
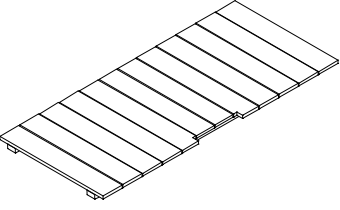
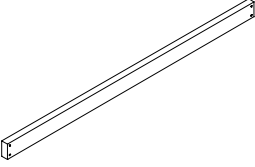
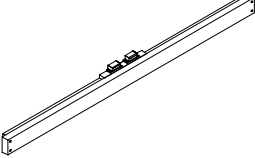
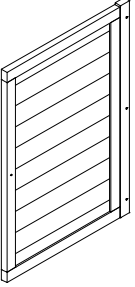
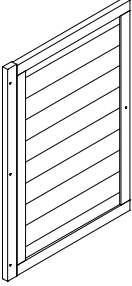
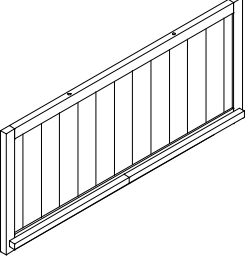
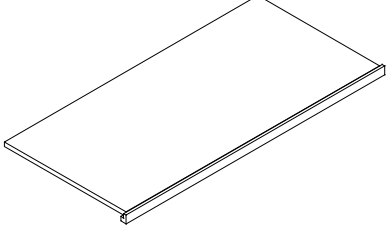
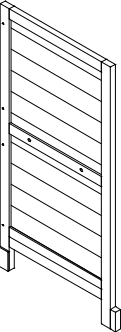
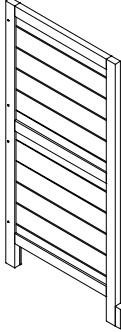
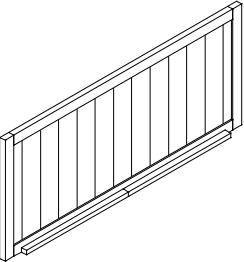
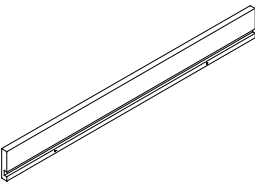
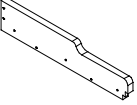
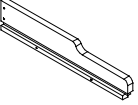
# WF285324AAA








## Detail View



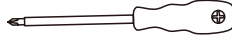
# WF285324AAA

1 	2 	3 
Wood board-1pc	Support of Wood board-2pcs	Floor-1pc
4 	5 	6 
Upper slat of front panel-1pc	Lower slat of front panel-1pc	Right door-1pc
7 	8 	9 
Left door-1pc	Lower of back panel-1pc	Top-1pc
10 	11 	12 
Right side panel-1pc	Left side panel-1pc	Upper of back panel-1pc
13 	14 	15 
Back part of Top part-1pc	Left part of Top part-1pc	Right part of Top part-1pc

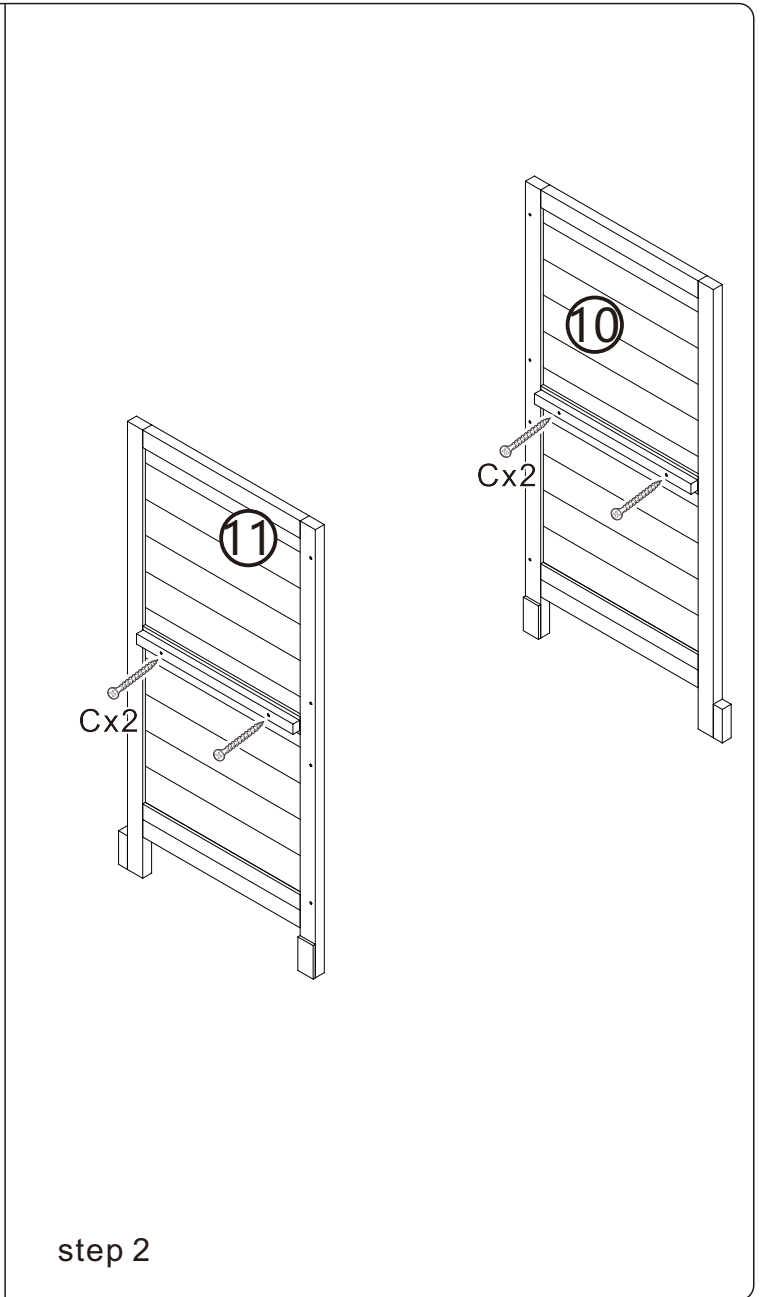
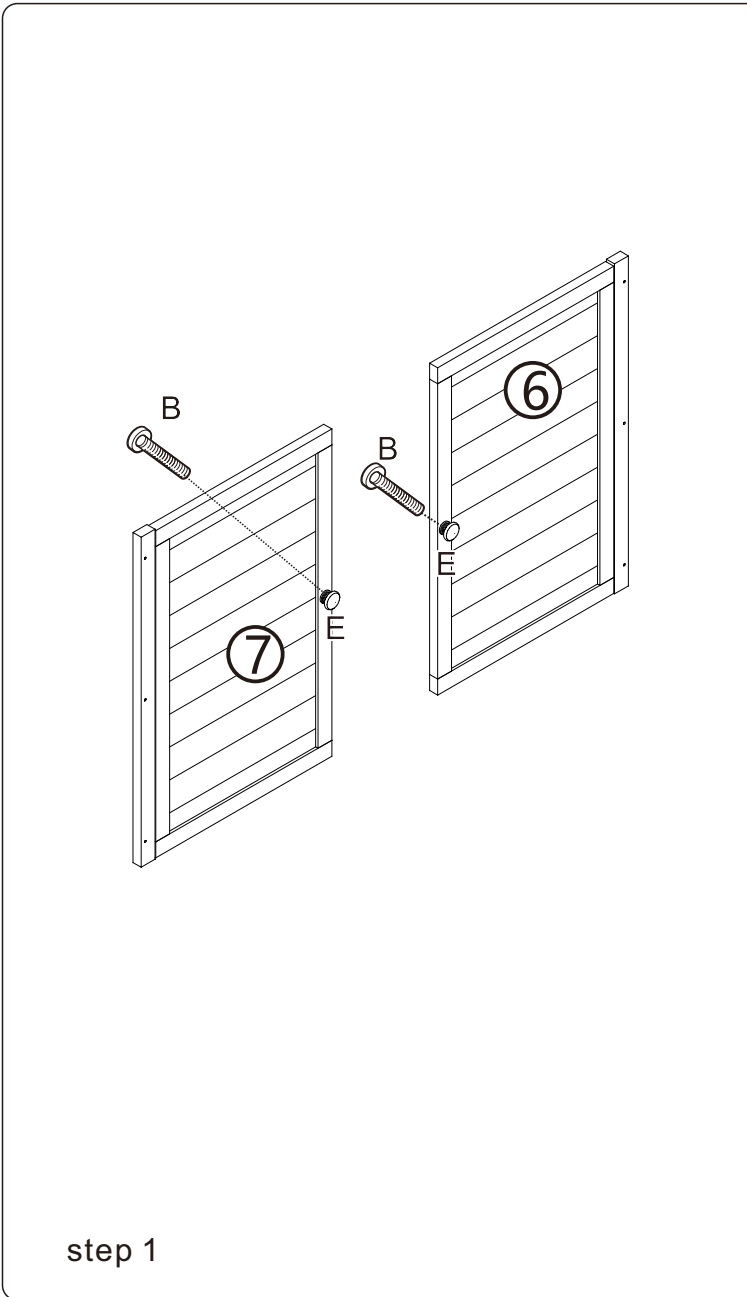
Hardware List

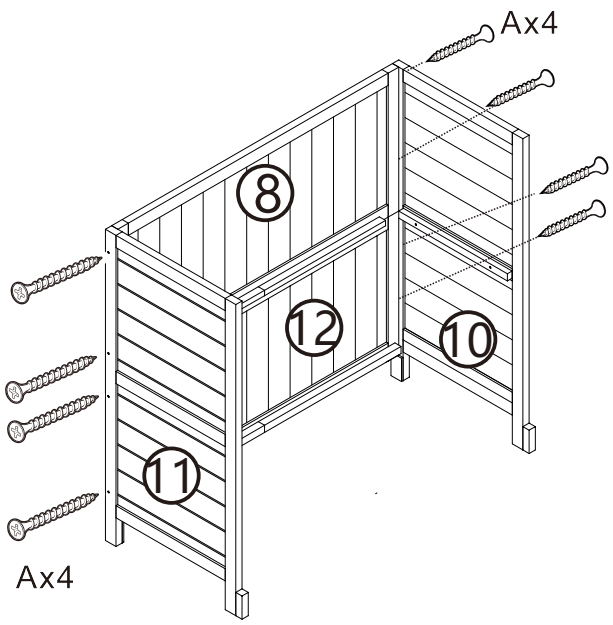
<p>A</p>  <p>3.5*40</p> <p>Ph zinc screws-22+1 pcs</p>	<p>B</p>  <p>M4*32</p> <p>Ph zinc bolt-2+1 pcs</p>	<p>C</p>  <p>3.0*30</p> <p>Ph zinc screws-4+1 pcs</p>	<p>D</p>  <p>3.0*35</p> <p>Ph zinc screws-20+1 pcs</p>
<p>E</p>  <p>Door Knob-2pcs</p>			

ASSEMBLY TOOLS REQUIRED( NOT INCLUDED)

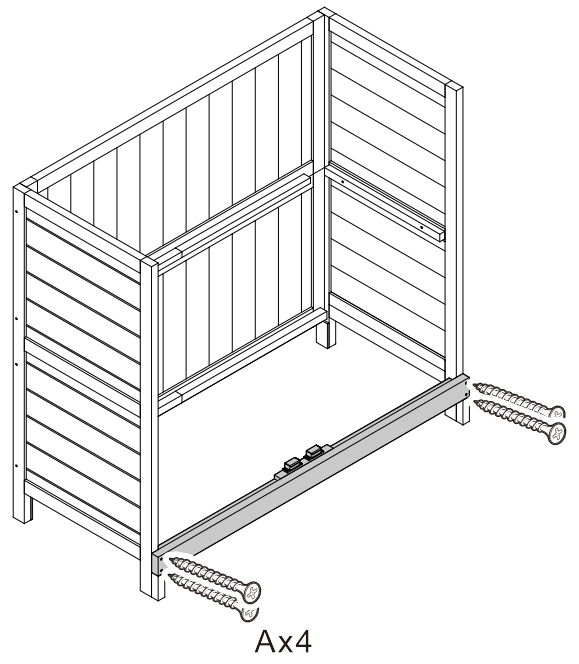


PLEASE BE CAREFUL DO NOT DAMAGE THE HOLE POSITION WHEN YOU USE POWERTOOLS !

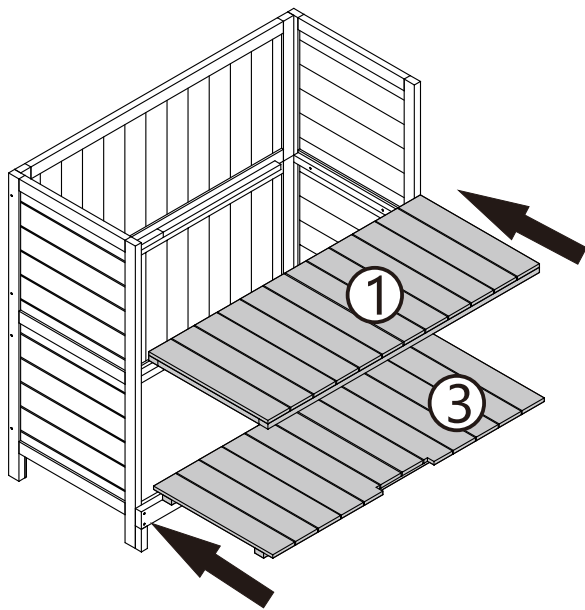




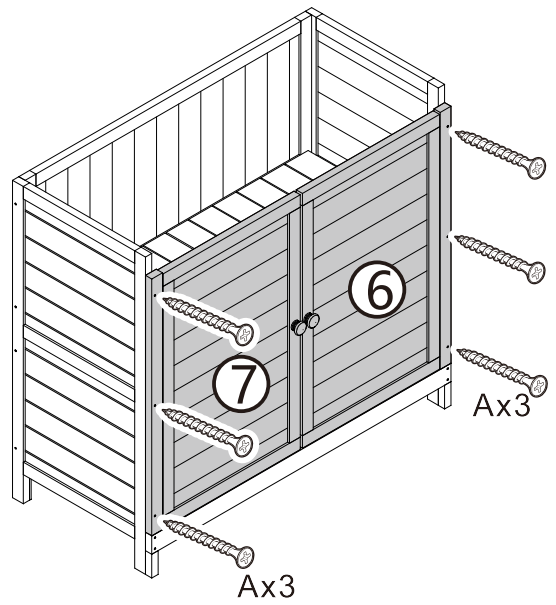
step 3



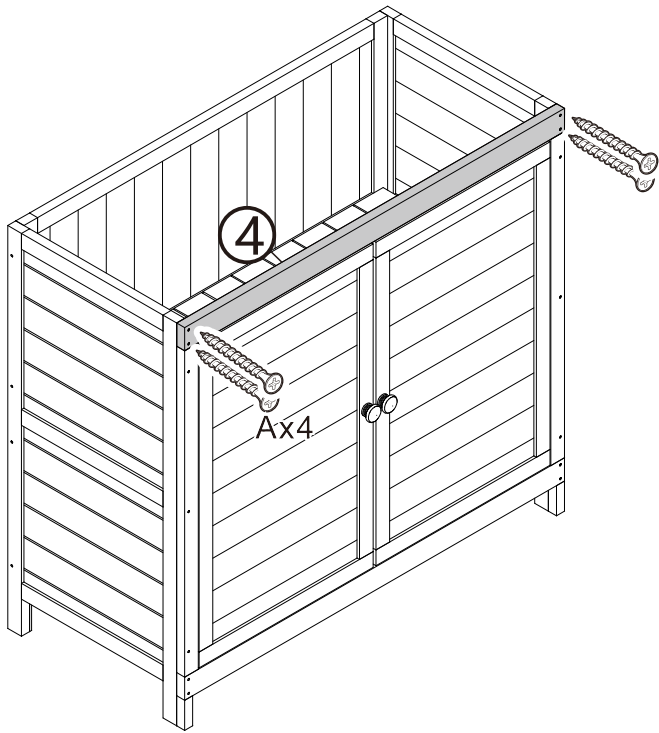
step 4



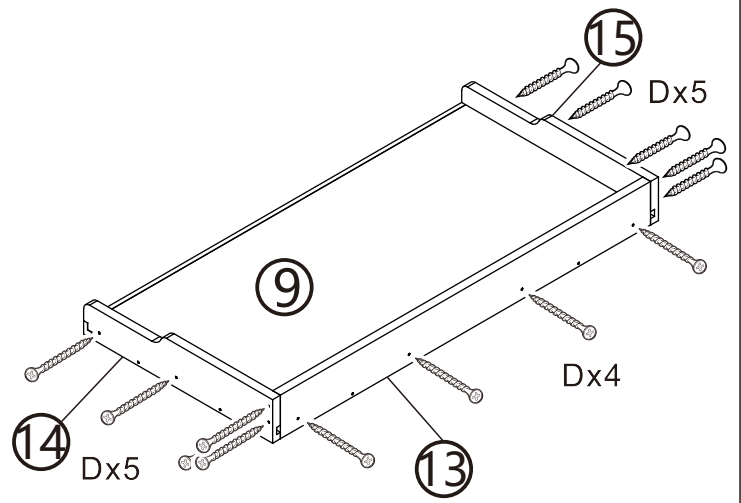
step 5



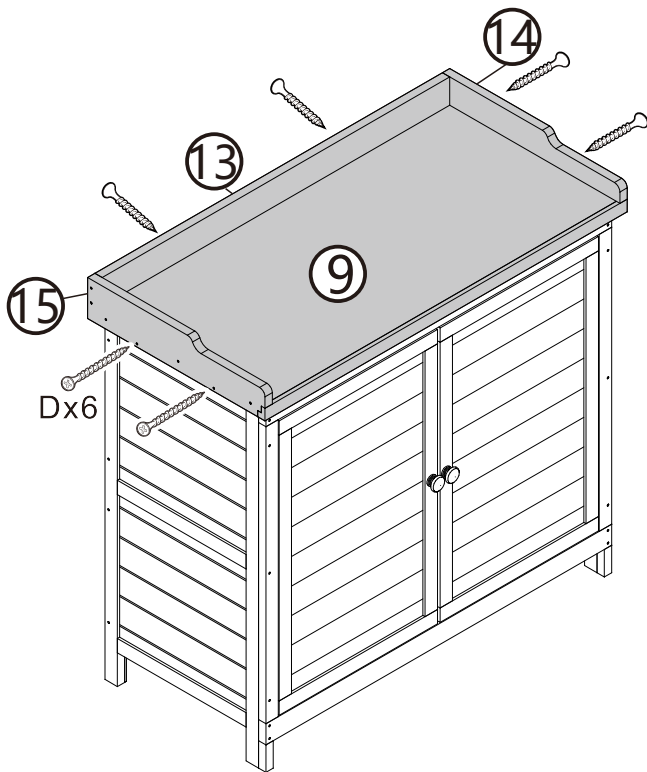
step 6



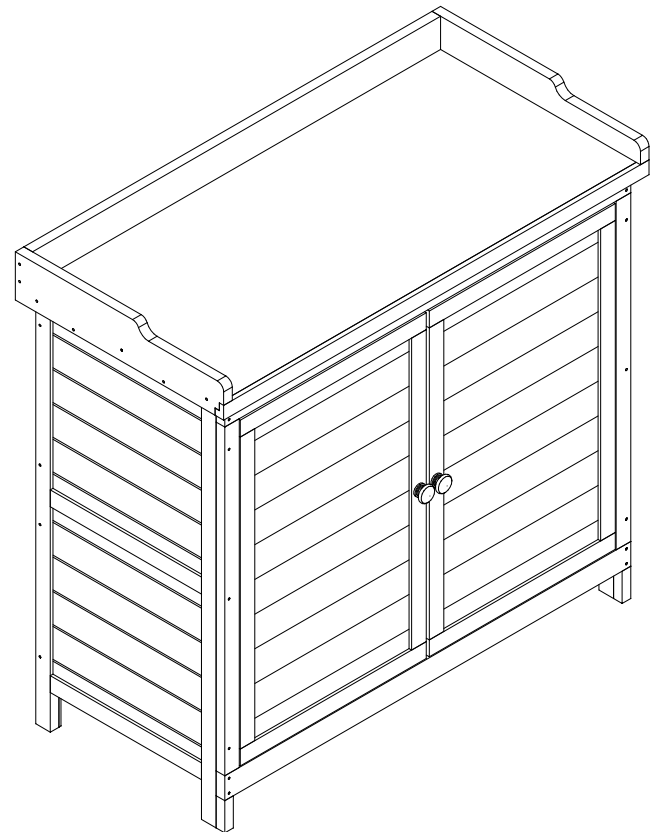
step 7



step 8



step 9



step 10