

MOEN®

Specifications

DESCRIPTION

- Metal Wand
- Reflex™ pull-down system offers smoother operation, easy movement and secure docking
- PowerBoost™ Technology provides boosted water performance with the push of a button
- Metal construction with various finishes identified by suffix
- Pull-down spray with 68" braided hose
- High arc spout provides the perfect height and reach for prep sinks while the pull-down feature provides infinite maneuverability for food preparation tasks
- 360° rotating spout
- Flexible supply lines with 3/8" compression fittings

OPERATION

- Lever style handle with alternate cross handles provided
- Maximum handle(s) rotation angle is 90° to full on
- Rotate hot side counterclockwise to open (clockwise to close)
- Rotate cold side clockwise to open (counterclockwise to close)
- Four-Function SprayWand : stream, spray, boosted stream and boosted spray
- Operates with less than 5 lbs. of force
- Operates in stream or spray mode in the pull-down or retracted position

FLOW

- Flow is limited to 1.5 gpm (5.7 L/min) at 60 psi

CARTRIDGE

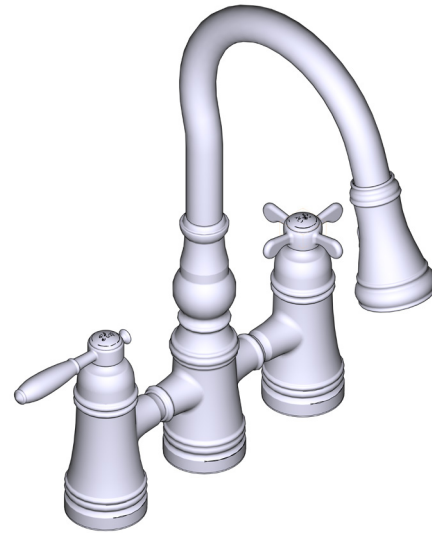
- 1234 Duralast cartridge
- Nonmetallic and stainless steel material

STANDARDS

- Third party certified to IAPMO Green, ASMEA112.18.1/CSAB-125.1 and all applicable requirements referenced therein including NSF61/9&372
- Meets CalGreen and Georgia SB370 requirements
- Complies with California Proposition 65 and with the Federal Safe Drinking Water Act
- ADA for lever handle
- The backflow protection system in this device consists of two independently operating check valves, a primary and a secondary which prevent backflow

WARRANTY

- Lifetime limited warranty against leaks, drips and finish defects to the original homeowner
 - 10 year limited warranty when used in a multifamily installation
 - 5 year limited warranty when used in a commercial installation
- Visit www.moen.com/support for complete details and limitations



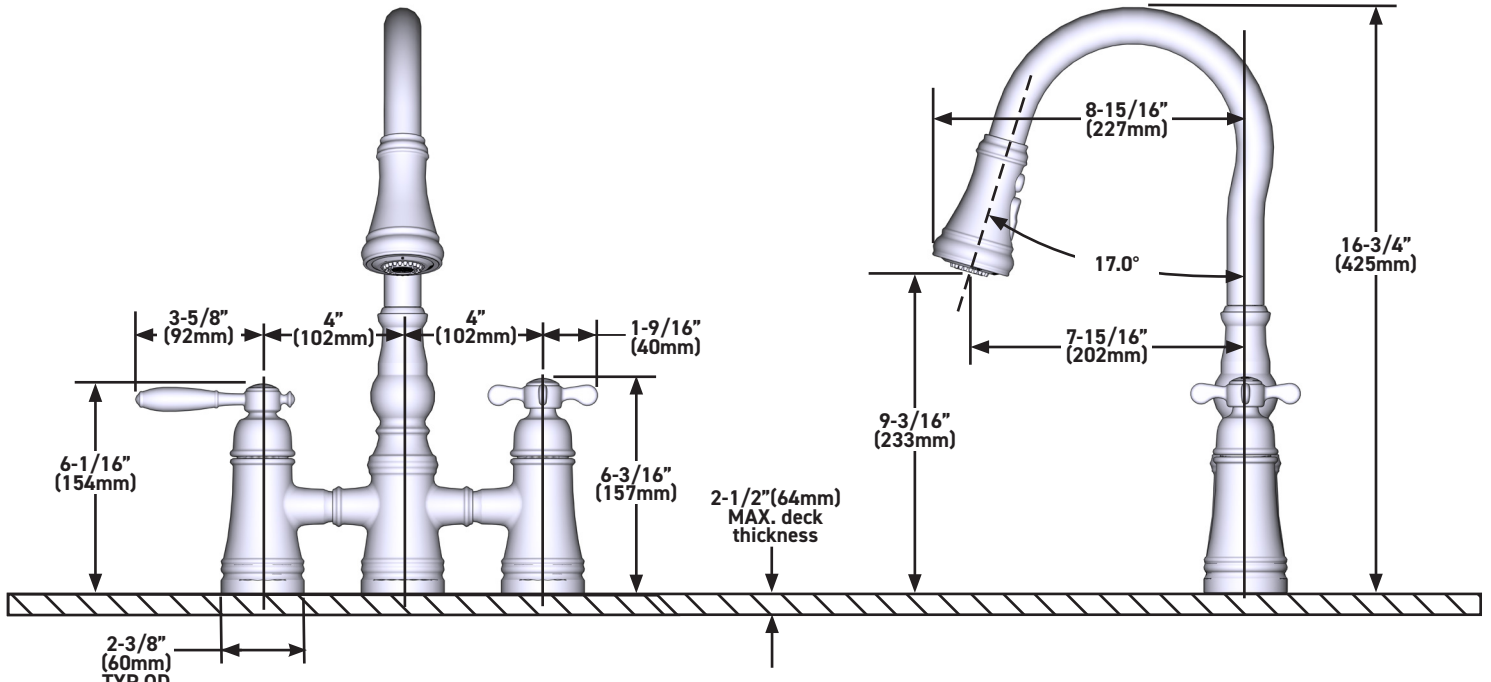
Weymouth™

Two-Handle High Arc
Pull-down Kitchen Faucet

MODELS: S73204 Series

NOTE:

**THIS FAUCET IS DESIGNED
TO BE INSTALLED THROUGH 3 HOLES,
1-1/2" (36mm) MIN. DIA.**



CRITICAL DIMENSIONS DO NOT SCALE