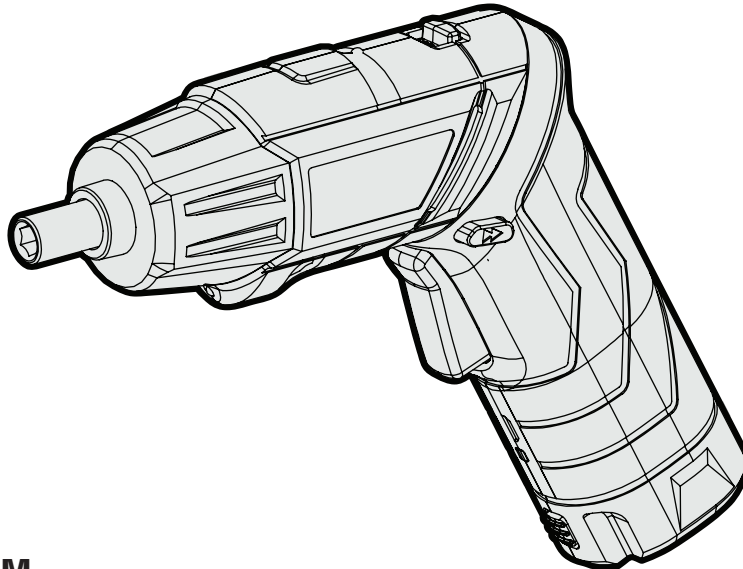




MODEL 49140

4V MAX LITHIUM-ION CORDLESS SCREWDRIVER



For replacement parts visit
WENPRODUCTS.COM

IMPORTANT:

Your new tool has been engineered and manufactured to WEN's highest standards for dependability, ease of operation, and operator safety. When properly cared for, this product will supply you years of rugged, trouble-free performance. Pay close attention to the rules for safe operation, warnings, and cautions. If you use your tool properly and for its intended purpose, you will enjoy years of safe, reliable service.



NEED HELP? CONTACT US!

Have product questions? Need technical support?
Please feel free to contact us at:

 **800-232-1195** (M-F 8am-5pm CST)

 **techsupport@wenproducts.com**

 **WENPRODUCTS.COM**

NOTICE: Please refer to wenproducts.com for the most up-to-date instruction manual.

TABLE OF CONTENTS

Specifications.....	2
Introduction	3
General Safety Rules	4
Specific Safety Rules for the Screwdriver.....	6
Safety Rules for Batteries and Chargers	8
Charging Information	10
Know Your Cordless Screwdriver	11
Operation	12
Maintenance.....	14
Troubleshooting Guide	15
Exploded View & Parts List	16
Warranty Statement.....	18

SPECIFICATIONS

Model Number	49140
Battery	4.0V (max), 3.6V (nominal), 1.5Ah
Chuck Size	Ø 1/4 in.
Rated Speed	180 RPM
Rated Torque	48.7 in. lbs
Charger Output Voltage	5V (max)
Weight	0.8 lbs

INTRODUCTION

Thanks for purchasing the WEN Cordless Screwdriver. We know you are excited to put your tool to work, but first, please take a moment to read through the manual. Safe operation of this tool requires that you read and understand this operator's manual and all the labels affixed to the tool. This manual provides information regarding potential safety concerns, as well as helpful assembly and operating instructions for your tool.




SAFETY ALERT SYMBOL: Indicates danger, warning, or caution. The safety symbols and the explanations with them deserve your careful attention and understanding. Always follow the safety precautions to reduce the risk of fire, electric shock and personal injury. However, please note that these instructions and warnings are not substitutes for proper accident prevention measures.

NOTE: The following safety information is not meant to cover all possible conditions and situations that may occur. WEN reserves the right to change this product and specifications at any time without prior notice.

Keep this manual available to all users during the entire life of the tool and review it frequently to maximize safety for both yourself and others.

GENERAL SAFETY RULES

**Safety is a combination of common sense, staying alert and knowing how your item works.
SAVE THESE SAFETY INSTRUCTIONS.**

 **WARNING:** Read and understand all warnings, cautions and operating instructions before using this tool. Failure to follow all instructions listed below may result in personal injury and tool damage.

WORK AREA SAFETY

1. Keep work area clean and well lit. Cluttered or dark areas invite accidents.
2. Do not operate power tools in explosive atmospheres, such as in the presence of flammable liquids, gases or dust. Power tools create sparks which may ignite the dust or fumes.
3. Do not expose power tools to rain or wet conditions. Water entering a power tool will increase the risk of electric shock.
4. Keep children and bystanders away while operating a power tool. Distractions can cause you to lose control.

ELECTRICAL SAFETY

1. Power tool plugs must match the outlet. Never modify the plug in any way. Do not use any adapter plugs with earthed (grounded) power tools. Unmodified plugs and matching outlets will reduce risk of electric shock.
2. Avoid body contact with earthed or grounded surfaces such as pipes, radiators, ranges and refrigerators. There is an increased risk of electric shock if your body is earthed or grounded.
3. Do not abuse the cord. Never use the cord for carrying, pulling or unplugging the power tool. Keep cord away from heat, oil, sharp edges or moving parts. Damaged or entangled cords increase the risk of electric shock.
4. If operating a power tool in a damp location is unavoidable, use a ground fault circuit interrupter (GFCI) protected supply. Use of a GFCI reduces the risk of electric shock.

PERSONAL SAFETY

1. Stay alert, watch what you are doing and use common sense when operating a power tool. Do not use a power tool while you are tired or under the influence of drugs, alcohol or medication. A moment of inattention while operating power tools may result in serious personal injury.
2. Use personal protective equipment. Always wear eye protection. Protective equipment such as a dust mask, non-skid safety shoes and hearing protection used for appropriate conditions will reduce the risk of personal injury.
3. Dress properly. Do not wear loose clothing or jewelry. Keep your hair and clothing away from moving parts. Loose clothes, jewelry or long hair can be caught in moving parts.

GENERAL SAFETY RULES

4. Prevent unintentional starting. Ensure the switch is in the off-position before connecting to power source and/or battery pack, picking up or carrying the tool. Carrying power tools with your finger on the switch or energizing power tools that have the switch on invites accidents.
5. Remove any adjusting key or wrench before turning the power tool on. A wrench or a key left attached to a rotating part of the power tool may result in personal injury.
6. Do not overreach. Keep proper footing and balance at all times. This enables better control of the power tool in unexpected situations.
7. If devices are provided for the connection of dust extraction and collection facilities, ensure these are connected and properly used. Use of dust collection can reduce dust-related hazards.


POWER TOOL USE AND CARE

1. Do not force the power tool. Use the correct power tool for your application. The correct power tool will do the job better and safer at the rate for which it was designed.
2. Do not use the power tool if the switch does not turn it on and off. Any power tool that cannot be controlled with the switch is dangerous and must be repaired.
3. Disconnect the plug from the power source and/or the battery pack from the power tool before making any adjustments, changing accessories, or storing power tools. Such preventive safety measures reduce the risk of starting the power tool accidentally.
4. Store idle power tools out of the reach of children and do not allow persons unfamiliar with the power tool or these instructions to operate the power tool. Power tools are dangerous in the hands of untrained users.
5. Maintain power tools. Check for misalignment or binding of moving parts, breakage of parts and any other condition that may affect the power tool's operation. If damaged, have the power tool repaired before use. Many accidents are caused by poorly maintained power tools.
6. Use the power tool, accessories and tool bits etc. in accordance with these instructions, taking into account the working conditions and the work to be performed. Use of the power tool for operations different from those intended could result in a hazardous situation.

SERVICE

Have your power tool serviced by a qualified repair person using only identical replacement parts. This will ensure that the safety of the power tool is maintained.

SPECIFIC SAFETY RULES FOR THE SCREWDRIVER

 **WARNING:** Do not let comfort or familiarity with the product replace strict adherence to product safety rules. Failure to follow the safety instructions may result in serious personal injury.

1. **TOOL PURPOSE.** This screwdriver is designed to fasten and remove screws from wood, plastic, and light-gauge metal. Screwing into other materials could result in fire, injury, or damage to the workpiece. Hex bits with a straight shank of a diameter of 1/4-inch can be used. Using the machine for any other purpose for which it is not designed may result in serious injuries, machine damage and voiding of the warranty.

2. **PERSONAL SAFETY.**

- Always wear ANSI Z87.1-approved glasses with side shields and a dust mask.
- **DO NOT** wear loose clothing or jewelry, as they might get drawn in by the tool. Tie back long hair.
- **DO NOT** wear gloves while operating this tool.

3. **TOOL & ACCESSORIES INSPECTION.** Before operation, check the tool and accessories for any damage or missing parts. Do not use the tool if any part is missing or damaged. Make sure all adjustments are correct and all connections are tight. Keep all guards in place.

4. **Screwdriver ACCESSORIES.**

- Do not use bits or any accessories that are damaged or worn.
- Make sure the bit is securely locked in the chuck.
- Always turn off the unit before doing any cleaning or maintenance.
- Do not use the charging cable if it is damaged.

5. **WORKPIECE REQUIREMENTS.** Check the workpiece carefully for splits, knots, nails, or other obstructions. These types of blemishes may cause a safety risk during operation.

6. Hold the screwdriver only by the insulated gripping surfaces during operation. Fasteners that contact hidden wiring may make the exposed metal parts of the power tool “live” and could electrically shock the operator.

7. Store the screwdriver and charger indoors in dry condition. Do not expose the screwdriver or the charging cable to temperatures over 104°F (40°C).

8. Be sure you always have a firm footing and hold the tool firmly. Keep hands, hair and other beloved body parts away from the rotating components of the tool.

9. Always secure the workpiece, especially if the workpiece is small.

10. Use the appropriate bits suitable for the material and the operating speed.

11. Do not touch the bit or the workpiece immediately after operation. They may be hot and could burn your skin.

SPECIFIC SAFETY RULES FOR THE SCREWDRIVER

12. Always remove the machine from the charger immediately after re-charging is completed.
13. Do not try to open or disassemble your screwdriver. Do not open and replace the battery cells.
14. **CLEANING.** Never use solvents to clean plastic parts. Solvents could dissolve or otherwise damage the material. Use only a soft damp cloth to clean plastic parts.
15. **REPLACEMENTS.** Should any component of your screwdriver be missing/damaged or fail in any way, shut off the switch and remove the plug from power supply outlet. Replace the missing, damaged, or failed parts using only identical replacement parts before resuming operation.

CALIFORNIA PROPOSITION 65 WARNING

Some dust created by power sanding, sawing, grinding, drilling, and other construction activities may contain chemicals, including lead, known to the State of California to cause cancer, birth defects, or other reproductive harm. Wash hands after handling. Some examples of these chemicals are:

- Lead from lead-based paints.
- Crystalline silica from bricks, cement, and other masonry products.
- Arsenic and chromium from chemically treated lumber.

Your risk from these exposures varies depending on how often you do this type of work. To reduce your exposure to these chemicals, work in a well-ventilated area with approved safety equipment such as dust masks specially designed to filter out microscopic particles.

These safety instructions can't possibly warn of every scenario that may arise with this tool, always make sure to stay alert and use common sense during operation.

SAFETY RULES FOR BATTERIES AND CHARGERS

CHARGING THE BATTERY

1. Before charging and using the battery, read all cautionary markings on the battery charger, battery cable, and the product using the battery.
2. Only recharge the battery with the charger specified by the manufacturer. Do not use the supplied battery charger to charge other cordless tools as undesirable risks such as fire or death may occur when used with another battery.
3. Inspect the power tool and charger before charging. Do not operate the charger with a damaged cord or plug.
4. Electrical plugs must match the outlet. Never modify the plug in any way. Do not use any adapter plugs with grounded appliances. Do not attempt to use a step-up transformer, an engine generator or a DC power receptacle.
5. This charger is for indoor use only. Do not expose to rain or use in damp locations.
6. Do not place the tool or the charger near fire or heat. Place the charger on a flat non-flammable surface and away from open flame and flammable materials before charging.
7. Do not charge the tool inside a box or container of any kind. The tool must be placed in a well-ventilated area during charging. Do not allow anything to cover or clog the charging vents.
8. Do not operate the charger or the tool if it has received a sharp blow, either from being dropped or damaged. Take it to a qualified service technician before attempting to use.
9. Never use or charge a battery if you suspect that it has been more than 12 months since the last time it was charged. There is a high probability that the battery has already suffered dangerous damage (exhaustive discharge).
10. The battery will become warm during extended periods of use. Allow the battery pack to cool to room temperature before charging it again. This will protect the life of your battery.
11. Always charge the battery pack between temperatures 32 to 86 °F (0 to 30 °C). Ideal charging temperature is 64 to 75 °F (18 to 24 °C).
12. Disconnect the charger from the power source and the tool when not in use. This will reduce the risk of damage to the charger during a power surge or if metal pieces should fall into the opening.

SAFETY RULES FOR BATTERIES AND CHARGERS

USING THE BATTERY

1. Only use the tool with the battery specified by the manufacturer. Use of any other battery packs may result in a risk of injury and fire.
2. Under abusive conditions, liquid may be ejected from the battery. Avoid contact with this liquid like you would a fire or an ex-lover. If contact accidentally occurs, flush the contact area with water. If the liquid contacts your eyes, flush with water for 10 minutes and then seek medical help. Liquid ejected from the battery may cause irritation or burns.
3. If operating time has become excessively shorter, stop operating immediately. It may result in overheating, burning, or even an explosion.

MAINTAINING THE BATTERY AND CHARGING CABLE

1. To reduce the risk of electric shock, always unplug the charger from the outlet before attempting any maintenance or cleaning.
2. Protect the battery charging cable from damage. Keep the charging cable away from heat, oil and sharp edges. Keep the tool out of the reach of children.
3. Do not remove the battery pack from the tool.
4. Store the tool and battery pack in a location where temperatures will not exceed 104 °F (40 °C). This will help prevent serious damage to the battery cells.
5. Do not disassemble the charging cable or the tool. Take these to a qualified service technician when service or repairs are required. Incorrect assembly may result in electric shock or fire.
6. Do not dispose of the battery or the tool in fire or with household waste. Take it to your local recycling facility.

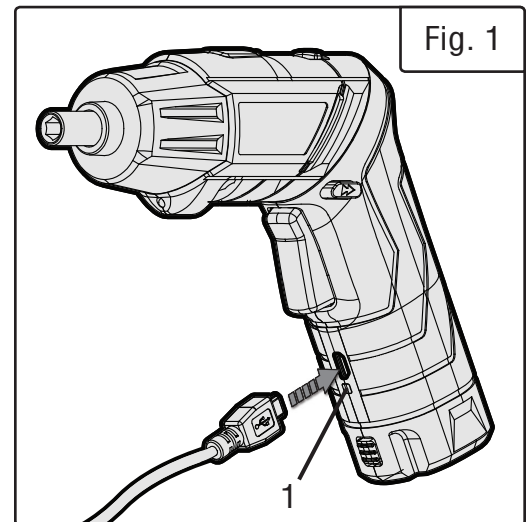
CHARGING INFORMATION

! **WARNING:** The battery must be charged fully before the first time use.

CHARGING YOUR SCREWDRIVER

1. Inspect the screwdriver, battery charger and power cord for any signs of damage.
2. Plug the micro USB end of the charging cable into the charging port (Fig. 1) on the screwdriver.
3. Connect the USB end of the charging cable into any USB port with a maximum output of 5V.

! **WARNING:** Always allow the power tool to cool down to room temperature before charging. This will extend the life of your battery.



4. The power indication light (Fig. 1 - 2) indicates the power level during charging. If the light is red, the battery is being charged. If the light is green, the battery is fully charged.
5. Upon full charge, disconnect the charger from the outlet, then disconnect the charger from the tool.

NOTE: A battery that has not been used for an extended period of time will have reduced battery capacity. A substantial drop in operating period per charge indicates that the battery is worn out.

! **WARNING:** The charging cable and battery are specifically designed to be compatible. Do not attempt to use any other cords to charge the screwdriver or use the cable for any use besides charging the screwdriver. Never insert or allow metallic objects into the charging cable or charging port as an electrical failure or other hazards may occur.

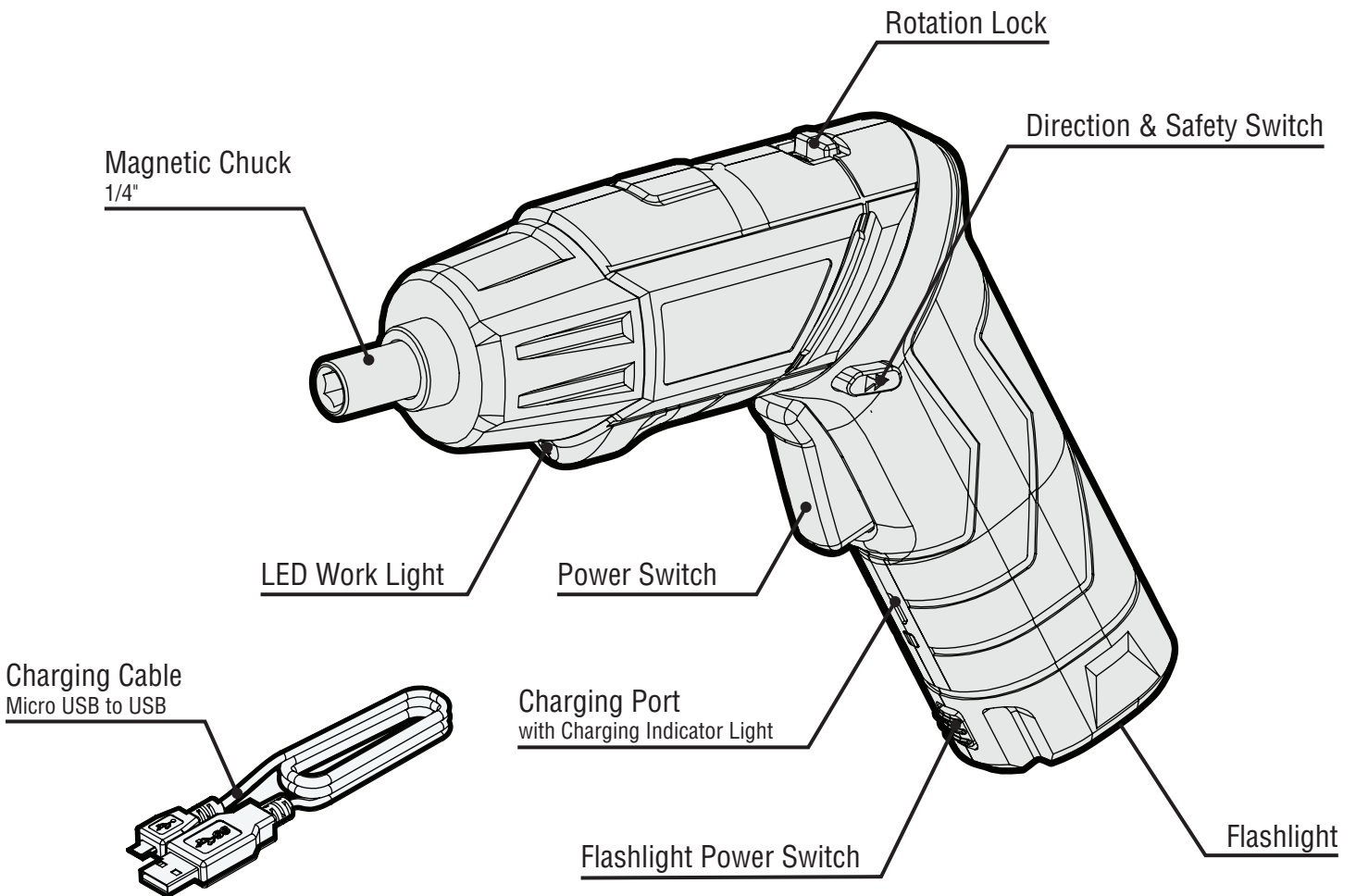
KNOW YOUR CORDLESS SCREWDRIVER

UNPACKING

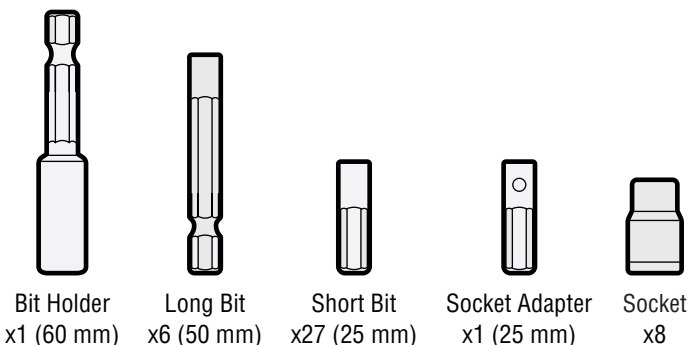
With the help of a friend or trustworthy foe, carefully remove the screwdriver from the packaging. Do not discard the packaging until all of the parts below are accounted for. If any part is damaged or missing, please contact our customer service at (800) 232-1195, M-F 8-5 CST or email us at techsupport@wenproducts.com.






TOOL PURPOSE

Cordless screwdrivers are great for household tasks such as fastening and removing screws from wood, plastic, and light-gauge metal. Refer to the diagram below to become familiarized with the parts and controls of your screwdriver.



INCLUDED ACCESSORIES



Breakdown of Bit Types				
				
Flat	Phillips	Pozidriv	Torx	Hex
x5 (25 mm) x2 (50 mm)	x4 (25 mm) x2 (50 mm)	x4 (25 mm) x2 (50 mm)	x8 (25 mm)	x7 (25 mm)

OPERATION

⚠ WARNING: Do not plug in or turn on the tool until it is fully assembled according to the instructions. Failure to follow the safety instructions may result in serious personal injury.

LOCKING THE POWER SWITCH

Before installing bits or making any adjustments, make sure to lock the power switch in the center position to prevent accidental starting.

1. To lock the power switch, place the direction and safety switch (Fig. 2 - 1) in the center position.
2. Check that the screwdriver does not turn on when the power switch is pressed.

INSTALLING AND REMOVING BITS

1. Lock the power switch by placing the direction and safety switch in the center position. Do not engage the trigger when changing bits.
2. Select your 1/4" bit and place it into the magnetic chuck; it will click into place (Fig. 3). Check to make sure that the bit is securely installed.
3. To remove a screwdriver bit, lock the power switch by placing the direction and safety switch in the center position and pull the bit out.

TURNING ON

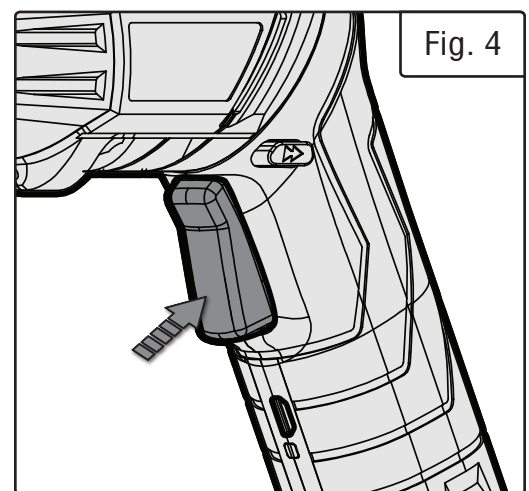
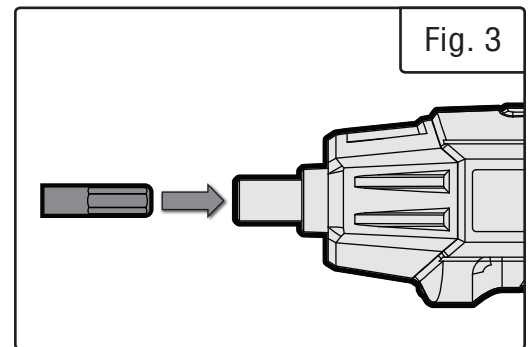
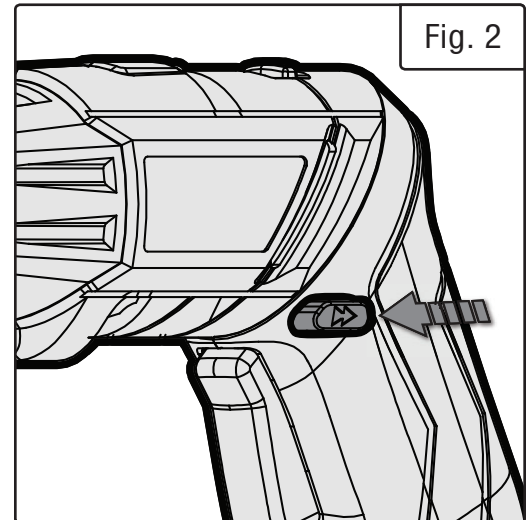
1. To turn on the screwdriver, use the direction and safety switch to choose the direction of rotation, then press down on the power switch (Fig. 4).
2. Stop the tool by releasing the power switch.

⚠ WARNING: Do not touch the bit during or immediately after operation. Always wait for the bit to stop and cool down.

CHANGING THE DIRECTION

The direction and safety switch also determines the direction of the chuck rotation.

⚠ WARNING: Never change the direction of rotation while the trigger is pressed down. Release the switch and wait for the chuck to stop first.



Directions continue on the next page.

OPERATION

1. For clockwise rotation, push the switch to the right (Fig. 5).
2. For counterclockwise rotation, push the switch to the left (Fig. 5).

CHARGING INDICATOR LIGHT

The light below the charging port (Fig. 6) on the screwdriver indicates the battery's charging status.

Color	Meaning
Red	Charging is in progress; leave on the charger.
Green	Charging is complete; remove from the charger.

LED WORK LIGHT

The LED work light (Fig. 7), located on the front of the screwdriver underneath the chuck, illuminates workpieces while the screwdriver is running.

LED FLASHLIGHT

The LED flashlight (Fig. 8), located on the bottom of the screwdriver handle, can be used as a multi-purpose flashlight.

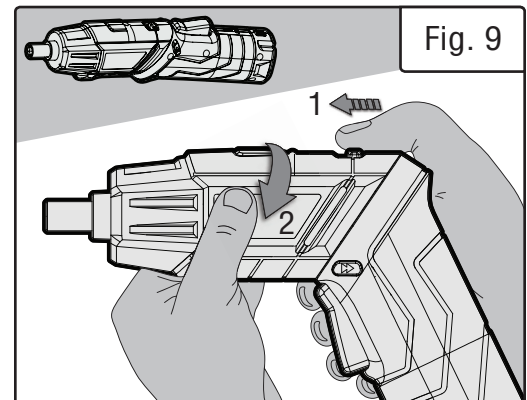
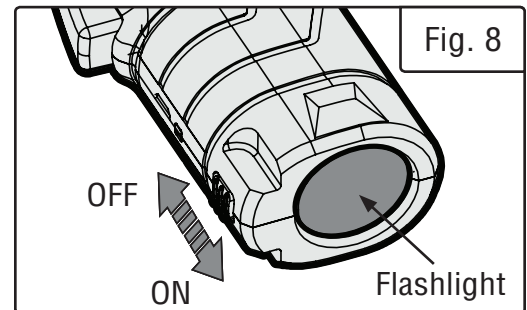
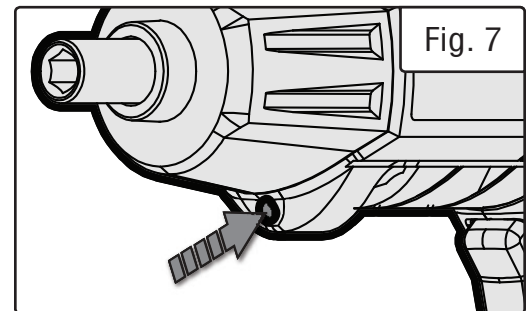
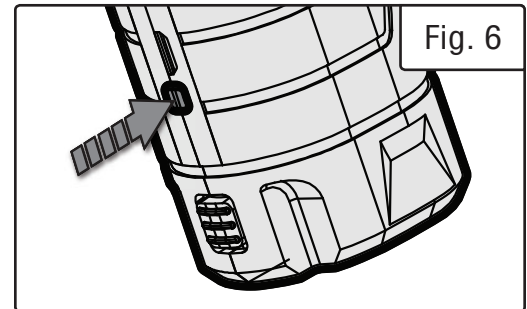
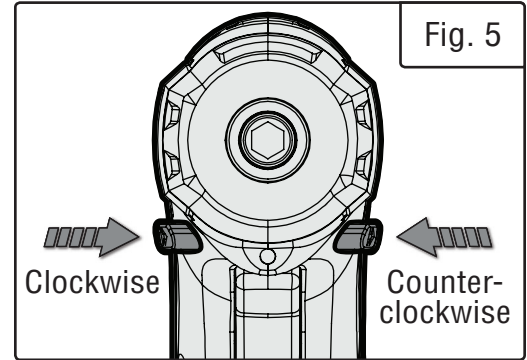
1. Before using the flashlight, make sure to lock the power switch in the center position to prevent accidental starting.
2. Slide the flashlight power switch to the ON position to turn the flashlight on (Fig. 8).
3. Slide the flashlight power switch to the OFF position to turn the flashlight off (Fig. 8).

NOTE: For maximum comfort, rotate the handle to the flat position.


ROTATING THE HANDLE POSITION


You can use the screwdriver in a pistol-grip or standard position, depending on what better suits the task at hand.

1. Before rotating the handle, make sure to lock the power switch in the center position to prevent accidental starting.
2. Slide the rotation lock button forward with your thumb (Fig 9 - 1). As the button is pushed forward, use your other hand to twist the upper portion of the screwdriver (Fig. 9 - 2).
3. Release the rotation lock button and make sure the handle is locked in place. Your screwdriver is now in the standard position.



MAINTENANCE

 **WARNING:** To avoid accidents, turn OFF and unplug the tool from the charger before cleaning, adjusting, or performing any maintenance or lubrication work.

 **WARNING:** Any attempt to repair or replace electrical parts on this tool may be hazardous. Servicing of the tool must be performed by a qualified technician. When servicing, use only identical WEN replacement parts. Use of other parts may be hazardous or induce product failure.

ROUTINE INSPECTION


Before each use, inspect the general condition of the tool. If any of the following conditions exist, do not use until parts are replaced or the screwdriver is properly repaired.

Check for:

- Loose hardware or improper mounting,
- Misalignment or binding of moving parts,
- Damaged cord/electrical wiring,
- Cracked or broken parts, and
- Any other condition that may affect its safe operation

CLEANING & STORAGE

1. Wipe the tool surfaces clean with a soft cloth or brush. Make sure water does not get into the tool.
2. This tool is permanently lubricated at the factory and requires no additional lubrication. There are no user serviceable parts in your power tool. Do not try to open or disassemble your screwdriver or replace the battery cell.
3. Keep ventilation slots of the screwdriver clean at all times. Prevent any debris from entering the ventilation slots.

 **WARNING:** Do not at any time let brake fluids, gasoline, petroleum-based products, penetrating oils, etc. come in contact with the plastic parts. Chemicals can damage, weaken or destroy plastic which may result in serious personal injury.

STORING THE TOOL

Always store your power tool in a dry place, frost-free location. To protect the battery from damage, do not expose the tool to temperatures above 104°F (40°C).

DISPOSAL

When the product reaches the end of its lifetime, please do not dispose of it with household waste. Electrical and electronic products are hazardous to the environment and human health due to the presence of hazardous substances. Take the product to your local recycling facility for it to be responsibly recycled to minimize impacts on the environment.

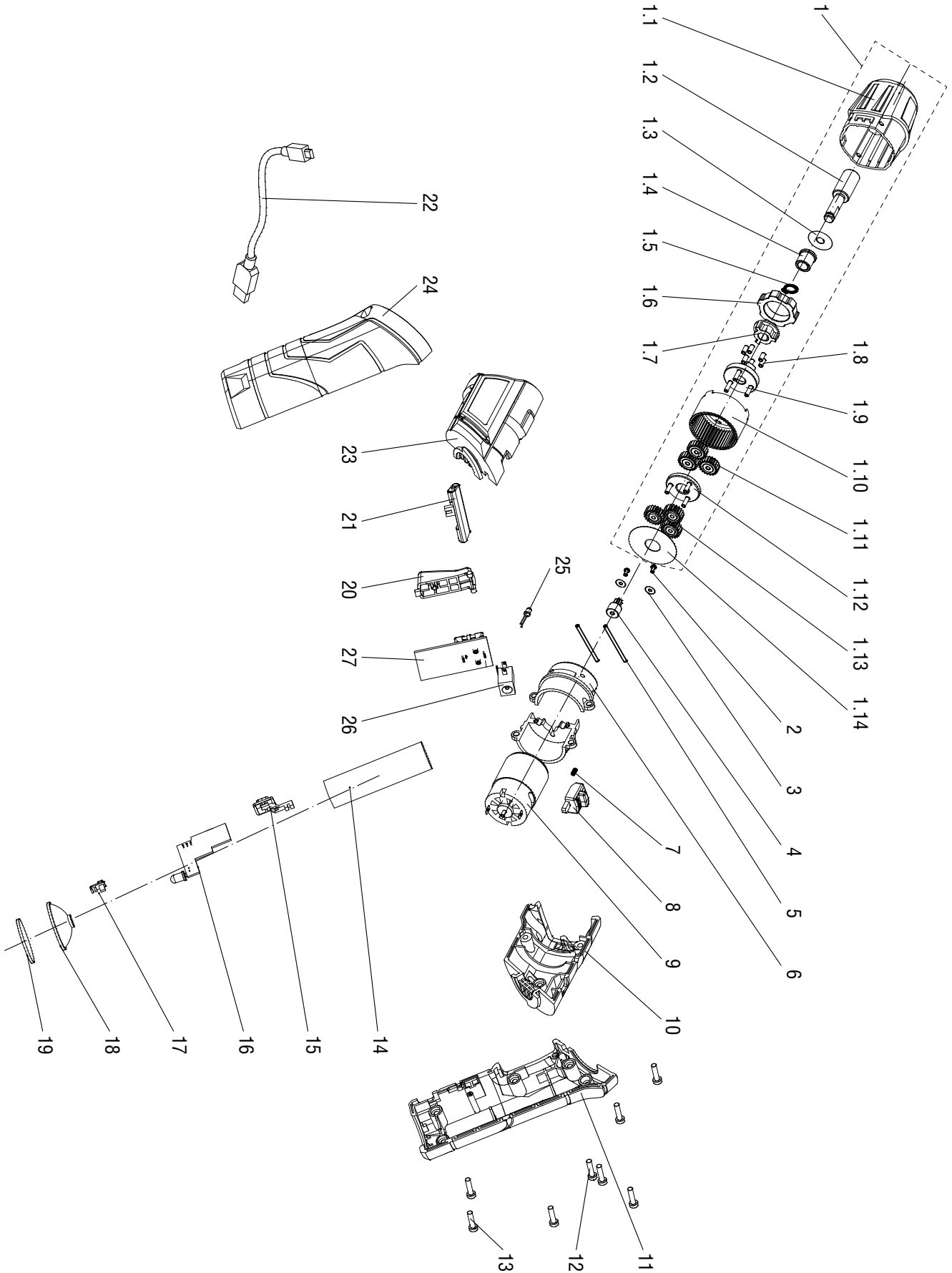
Please recycle the packaging where facilities exist.

TROUBLESHOOTING GUIDE

⚠ WARNING: Stop using the tool immediately if any of the following problems occur. Repairs and replacements should only be performed by an authorized technician. For any questions, please contact our customer service at (800) 232-1195, M-F 8-5 CST or email us at techsupport@wenproducts.com.

PROBLEM	CAUSE	SOLUTION
ON/OFF trigger doesn't work.	The direction and safety switch is in the center (locked) position.	Push the direction and safety switch to the left or right.
The LED work light or flashlight doesn't work.	The screwdriver's battery is dead.	Charge your screwdriver's battery with the charging cable.
The handle isn't rotating.	You don't have the rotation lock button pushed forwards.	Push the rotation lock button forwards while rotating the handle.
	You are rotating the handle in the wrong direction.	Turn the handle in the opposite direction.
The battery isn't charging.	The cable is plugged into an improper charging station.	Plug into a USB outlet with a 5V maximum output.
	The cable is improperly plugged into the screwdriver.	Securely plug the micro USB end of the cable into the screwdriver.

EXPLODED VIEW & PARTS LIST



EXPLODED VIEW & PARTS LIST

No.	Part No.	Description	Qty.
1	49140-001	Gearbox	1
1-1	49140-001.1	Gearbox Cover	1
1-2	49140-001.2	Output Shaft	1
1-3	49140-001.3	Washer, 10.5×6.5	1
1-4	49140-001.4	Shaft Bushing	1
1-5	49140-001.5	Spring	1
1-6	49140-001.6	Clutch Ring	1
1-7	49140-001.7	Clutch	1
1-8	49140-001.8	Clutch Pins	6
1-9	49140-001.9	Clutch Base	1
1-10	49140-001.10	Ring Gear	1
1-11	49140-001.11	Secondary Planetary Gearset	1
1-12	49140-001.12	Planetary Gear Carrier	1
1-13	49140-001.13	Primary Planetary Gearset	1
1-14	49140-001.14	End Washer, 31.7×10	1
2	49140-002	Screw, M2.5×8	2
3	49140-003	Screw Gasket	2
4	49140-004	Motor Output Gear	1
5	49140-005	Thumb Lock Pins	2
6	49140-006	Motor Sheath	1

No.	Part No.	Description	Qty.
7	49140-007	Torque Spring	1
8	49140-008	Lock Button	1
9	49140-009	Motor	1
10	49140-010	Front Housing, Right	1
11	49140-011	Rear Housing, Right	1
12	49140-012	Screw, ST3×14	5
13	49140-013	Screw, ST3×12	3
14	49140-014	Battery	1
15	49140-015	Flashlight Switch	1
16	49140-016	Flashlight PCB	1
17	49140-017	Alignment Piece	1
18	49140-018	Flashlight Reflector	1
19	49140-019	Flashlight Cover	1
20	49140-020	Trigger	1
21	49140-021	Directional Switch	1
22	49140-022	USB Charger, Micro USB	1
23	49140-023	Front Housing, Left	1
24	49140-024	Rear Housing, Left	1
25	49140-025	Front LED Light	1
26	49140-026	Power Switch	1
27	49140-027	Primary PCB	1

NOTE: All parts may not be available for purchase or replacement.
Call 1-800-232-1195 with questions.

WARRANTY STATEMENT

WEN Products is committed to building tools that are dependable for years. Our warranties are consistent with this commitment and our dedication to quality.

LIMITED WARRANTY OF WEN CONSUMER POWER TOOLS PRODUCTS FOR HOME USE

GREAT LAKES TECHNOLOGIES, LLC (“Seller”) warrants to the original purchaser only, that all WEN consumer power tools will be free from defects in material or workmanship for a period of two (2) years from date of purchase. Ninety days for all WEN products if the tool is used for professional or commercial use.

SELLER’S SOLE OBLIGATION AND YOUR EXCLUSIVE REMEDY under this Limited Warranty and, to the extent permitted by law, any warranty or condition implied by law, shall be the repair or replacement of parts, without charge, which are defective in material or workmanship and which have not been misused, carelessly handled, or misrepaired by persons other than Seller or Authorized Service Center. To make a claim under this Limited Warranty, you must make sure to keep a copy of your proof of purchase that clearly defines the Date of Purchase (month and year) and the Place of Purchase. Place of purchase must be a direct vendor of Great Lakes Technologies, LLC. Third party vendors such as garage sales, pawn shops, resale shops, or any other secondhand merchant void the warranty included with this product. Contact techsupport@wenproducts.com or 1-800-232-1195 to make arrangements for repairs and transportation.

When returning a product for warranty service, the shipping charges must be prepaid by the purchaser. The product must be shipped in its original container (or an equivalent), properly packed to withstand the hazards of shipment. The product must be fully insured with a copy of the warranty card and/or the proof of purchase enclosed. There must also be a description of the problem in order to help our repairs department diagnose and fix the issue. Repairs will be made and the product will be returned and shipped back to the purchaser at no charge.

THIS LIMITED WARRANTY DOES NOT APPLY TO ACCESSORY ITEMS THAT WEAR OUT FROM REGULAR USAGE OVER TIME INCLUDING BELTS, BRUSHES, BLADES, ETC. ANY IMPLIED WARRANTIES SHALL BE LIMITED IN DURATION TO TWO (2) YEARS FROM DATE OF PURCHASE. SOME STATES IN THE U.S., SOME CANADIAN PROVINCES DO NOT ALLOW LIMITATIONS ON HOW LONG AN IMPLIED WARRANTY LASTS, SO THE ABOVE LIMITATION MAY NOT APPLY TO YOU.

IN NO EVENT SHALL SELLER BE LIABLE FOR ANY INCIDENTAL OR CONSEQUENTIAL DAMAGES (INCLUDING BUT NOT LIMITED TO LIABILITY FOR LOSS OF PROFITS) ARISING FROM THE SALE OR USE OF THIS PRODUCT. SOME STATES IN THE U.S. AND SOME CANADIAN PROVINCES DO NOT ALLOW THE EXCLUSION OR LIMITATION OF INCIDENTAL OR CONSEQUENTIAL DAMAGES, SO THE ABOVE LIMITATION OR EXCLUSION MAY NOT APPLY TO YOU.

THIS LIMITED WARRANTY GIVES YOU SPECIFIC LEGAL RIGHTS, AND YOU MAY ALSO HAVE OTHER RIGHTS WHICH VARY FROM STATE TO STATE IN THE U.S., PROVINCE TO PROVINCE IN CANADA AND FROM COUNTRY TO COUNTRY.

THIS LIMITED WARRANTY APPLIES ONLY TO PORTABLE ELECTRIC TOOLS, BENCH POWER TOOLS, OUTDOOR POWER EQUIPMENT AND PNEUMATIC TOOLS SOLD WITHIN THE UNITED STATES OF AMERICA, CANADA AND THE COMMONWEALTH OF PUERTO RICO. FOR WARRANTY COVERAGE WITHIN OTHER COUNTRIES, CONTACT THE WEN CUSTOMER SUPPORT LINE.

**THANKS FOR
REMEMBERING**

