

USE AND CARE GUIDE

SIERRA CREEK 5PC CHAT SET



Questions, problems, missing parts?

Before returning to the store, call Hampton Bay Customer Service
8 a.m. – 7 p.m., EST, Monday-Friday, 9 a.m. – 6 p.m., EST, Saturday

1-855-HD-HAMPTON

HAMPTONBAY.COM

THANK YOU

We appreciate the trust and confidence you have placed in Hampton Bay through the purchase of this patio set. We strive to continually create quality products designed to enhance your home. Visit us online to see our full line of products available for your home improvement needs. Thank you for choosing Hampton Bay!

Table of Contents

Table of Contents	2	Assembly	6,9
Important Safety Information	2	Maintenance	11
Warranty.....	3	Care and Cleaning.....	11
Pre-Assembly.....	4		
Planning Assembly	4,7		
Hardware Included.....	4,7		
Package Contents	5,8,10		

Important Safety Information

SAVE THESE INSTRUCTIONS



WARNING: THIS PRODUCT CAN EXPOSE YOU TO CHEMICALS INCLUDING CHROMIUM (HEXAVALENT COMPOUNDS) AND BENZENE, WHICH ARE KNOWN TO THE STATE OF CALIFORNIA TO CAUSE CANCER AND BIRTH DEFECTS OR OTHER REPRODUCTIVE HARM. For more information go to: www.P65warning.ca.gov/furniture.



WARNING: THIS SET WAS MADE FOR THE EXPLICIT PURPOSE OF PROVIDING OUTDOOR FUNCTIONS AND IS NOT TO BE USED AS A TOY. THIS PRODUCT IS INTENDED FOR NORMAL OUTDOOR USE; HOWEVER, THE MANUFACTURER RECOMMENDS STORING AND/OR COVERING THIS PRODUCT WHEN ANY FORMIDABLE/SEVERE WEATHER IS APPROACHING.

READ ALL INSTRUCTIONS BEFORE USE

To reduce the risk of injury to persons:

1. Close supervision is necessary when this furnishing is used by or near children, or disabled persons, if applicable.
2. Use this furnishing only for its intended use as described in these instructions. Do not use attachments not recommended by the manufacturer.
3. Do not move the set while it is occupied. Failure to obey this caution could result injury.

SET UP YOUR FURNITURE PROPERLY

1. Ensure that all parts are assembled properly and fully tightened as per the instructions.
2. When placing in the desired location, ensure that all legs are resting on the same surface.

EXAMINE YOUR FURNITURE

Examine occasionally to ensure that there are no loose parts. If loose parts are found, they must be re-tightened fully before additional use.

CERTIFIED MODELS

Factory Name	Certified Name	Certified Model
Loveseat	Multiple Seating	65-91-12BR-245KL
Chair	Basic Chair	65-91-12BR-245KC
Table	Table	65-91-12BR-245KT



CAUTION: If you overload your furniture, injuries can occur.

Warranty

THREE YEAR FRAME, WEAVE AND FABRIC LIMITED WARRANTY

WHAT IS COVERED

We warrant the frame, weave and fabric to be free of manufacturing defects to the original purchaser for Three years. For glass table top we warrant 30 days from the date of purchase.

WHAT IS NOT COVERED

This warranty does not cover commercial use, hardware, acts of nature, fire, freezing and abusive use. In addition, purchased parts are not covered under this warranty.

We reserve the right to make substitutions with similar merchandise, if the model in question is no longer in production.

Contact the Customer Service Team at 1-855-HD-HAMPTON or visit www.Hamptonbay.com.

Pre-Assembly 65-91-12BR-245KC

PLANNING ASSEMBLY

To prevent damage, place all parts on a soft surface during assembly.

HARDWARE INCLUDED



AA



BB



CC

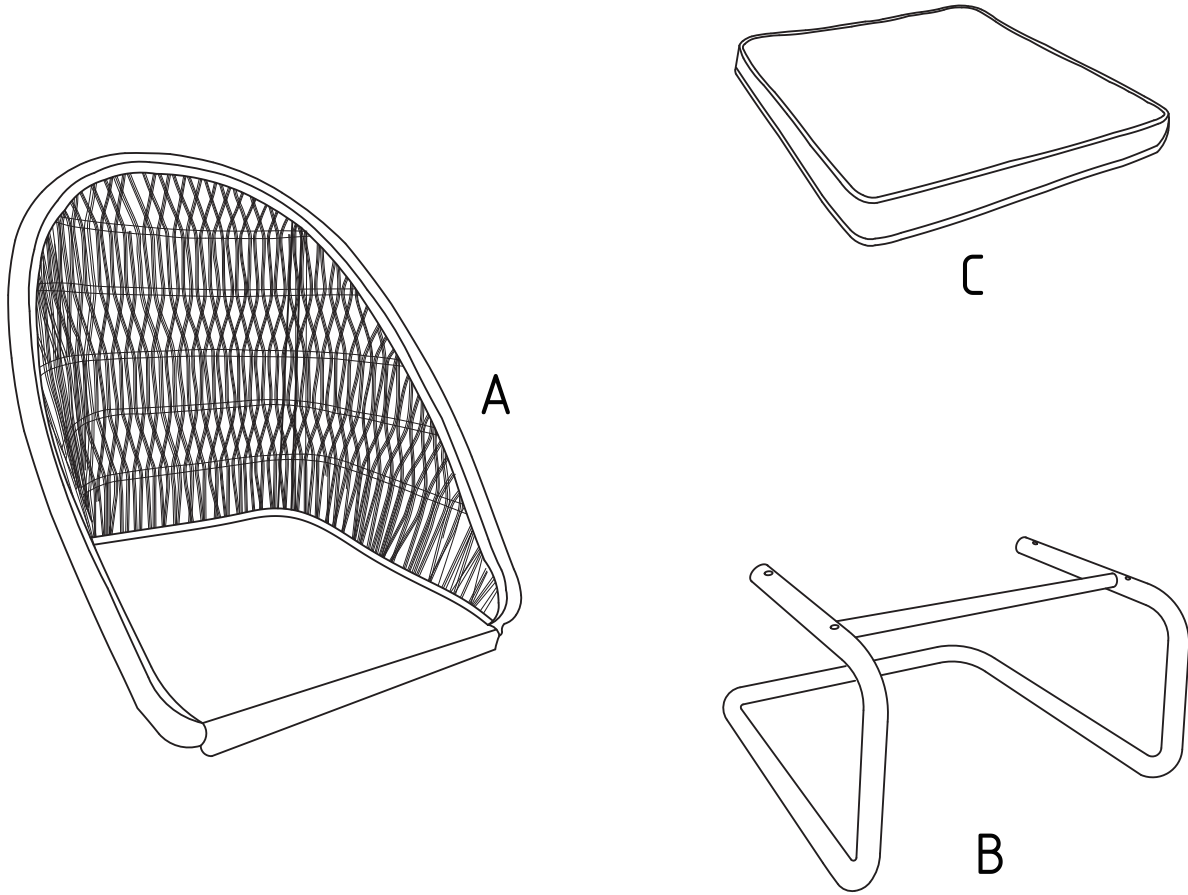
For 1 Chair

For 2 Chairs

Part	Description	Quantity	Quantity
AA	Bolt (Ø6×40mm)	4	8
BB	Washer (Ø6mm)	4	8
CC	Allen Wrench (Ø4mm)	1	1

Pre-Assembly 65-91-12BR-245KC

PACKAGE CONTENTS

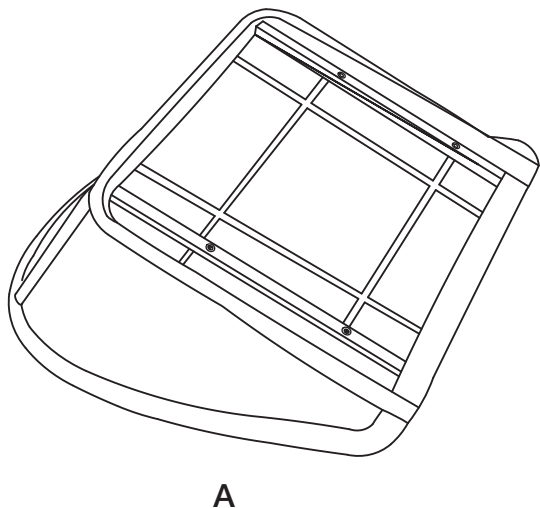


Part	Description	Quantity
A	Seat	1
B	Base	1
C	Seat Cushion	1

Assembly 65-91-12BR-245KC

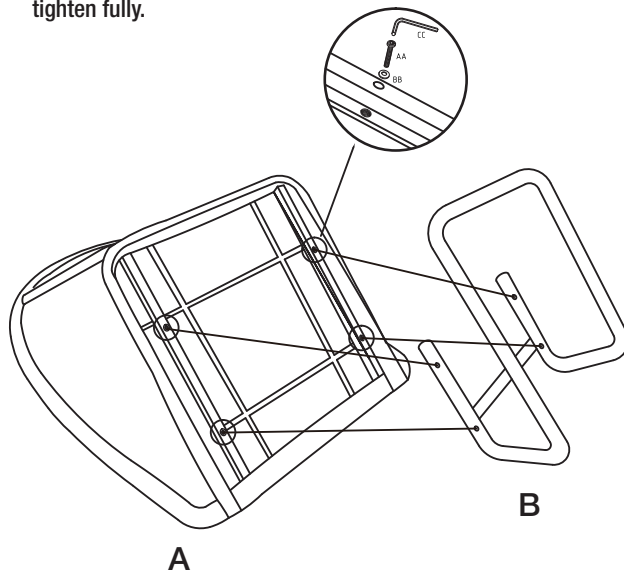
1 Preparing the Chair

- Place the Seat (A) upside down on a soft surface.



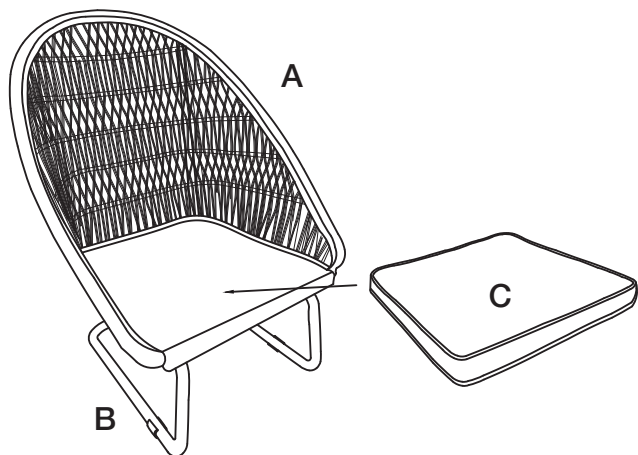
2 Attaching the Base

- Mount the Base (B) onto the Seat (A) by aligning the holes on the Seat (A) and the Base (B).
- Secure the Seat (A) and Base (B) together using Washers (BB) and Bolts (AA). Tighten using the Allen Wrench (CC) but do not tighten fully.



3 Completing the Assembly

- Make any needed adjustments and then fully tighten all bolts.
- Place the Seat Cushion (C) on the chair.
- The chair is now ready for your enjoyment.



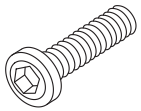
 Note: Repeat steps 1-3 for the second chair.

Pre-Assembly 65-91-12BR-245KL

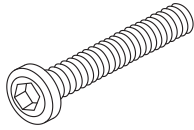
PLANNING ASSEMBLY

To prevent damage, place all parts on a soft surface during assembly.

HARDWARE INCLUDED



DD



EE



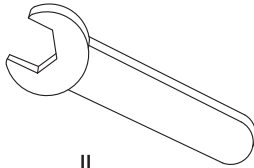
FF



GG



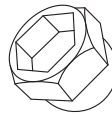
HH



II



KK

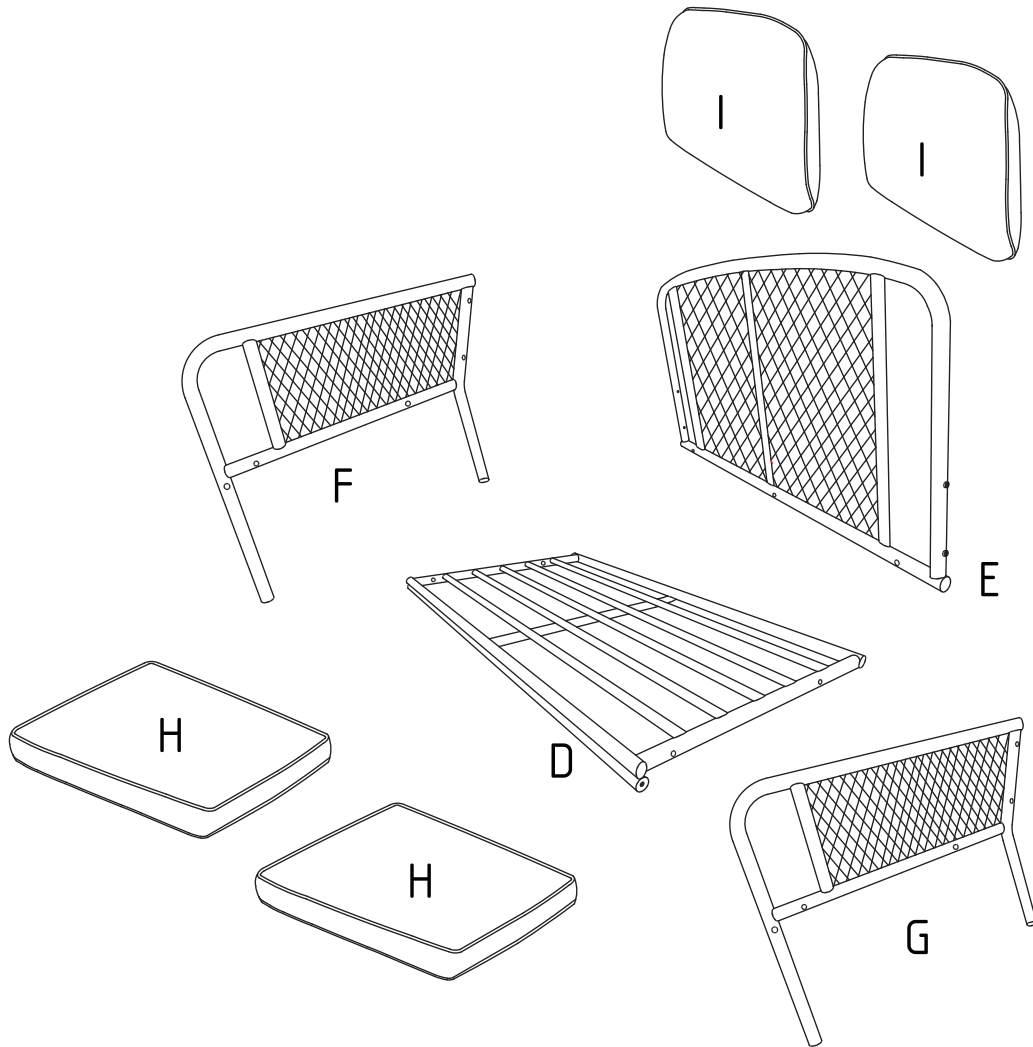


JJ

Part	Description	Quantity
DD	Bolt (Ø8×45mm)	6
EE	Bolt (Ø8×70mm)	7
FF	Washer (Ø8mm)	20
GG	Hex Nut (Ø8mm)	7
HH	Plastic Cap (Ø8×5mm)	13
II	Hex Wrench (Ø8mm)	1
KK	Allen Wrench (Ø5mm)	1
JJ	Plastic Cap (Ø8×20mm)	7

Pre-Assembly 65-91-12BR-245KL

PACKAGE CONTENTS

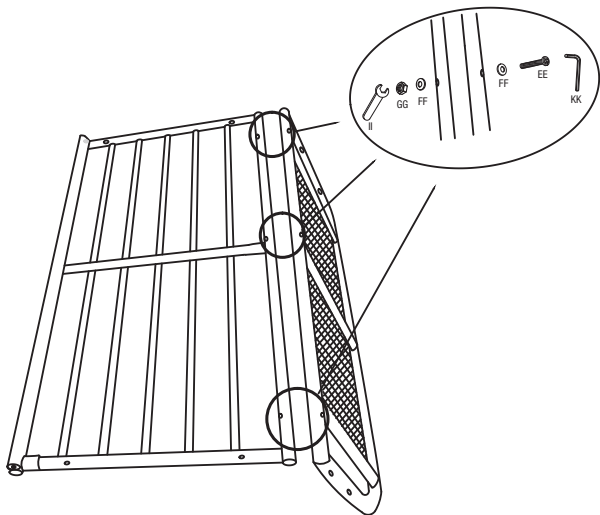


Part	Description	Quantity
D	Seat	1
E	Back	1
F	Right Arm	1
G	Left Arm	1
H	Seat Cushion	2
I	Back Cushion	2

Assembly 65-91-12BR-245KL

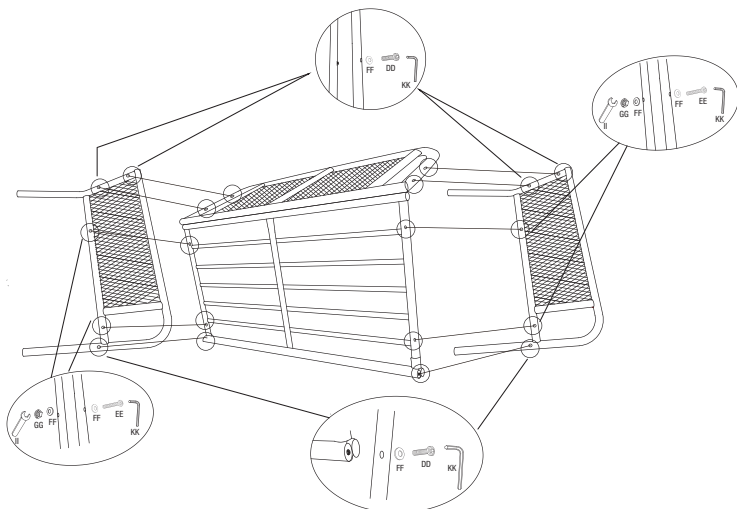
1 Attaching the Seat and Back

- Begin assembly on a soft surface.
- Attach the Back (E) to the Seat (D) by aligning holes on the Seat (D) with the holes on the Back (E) and inserting Bolts (EE) and Hex Nuts (GG) with Washers (FF).
- Tighten half way using the Allen Wrench (KK) and Hex Wrench (II).
- Do not tighten completely at this stage.



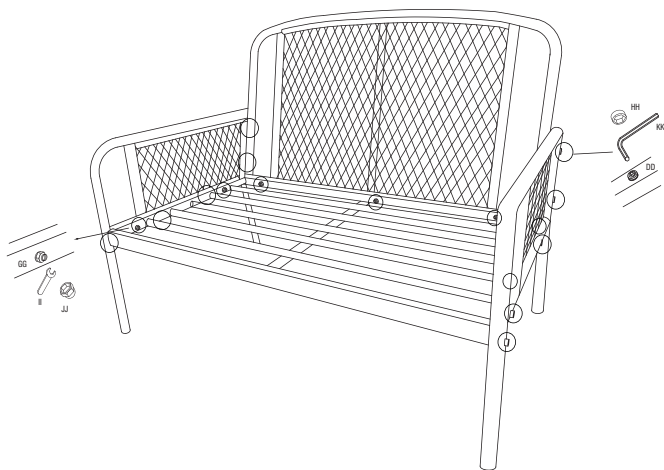
2 Attaching the Right and Left Arm

- Attach the Right Arm (F) and Left Arm (G) to the Seat (D) and Back (E) by aligning side holes on the Seat (D) and Back (E) and inserting Bolts (DD) with Washers (FF). Tighten half way using the Allen Wrench (KK).
- Insert Bolts (EE) and Hex Nuts (GG) with Washers (FF). Tighten half way using the Hex Wrench (II) and Allen Wrench (KK).
- Do not tighten completely at this stage.



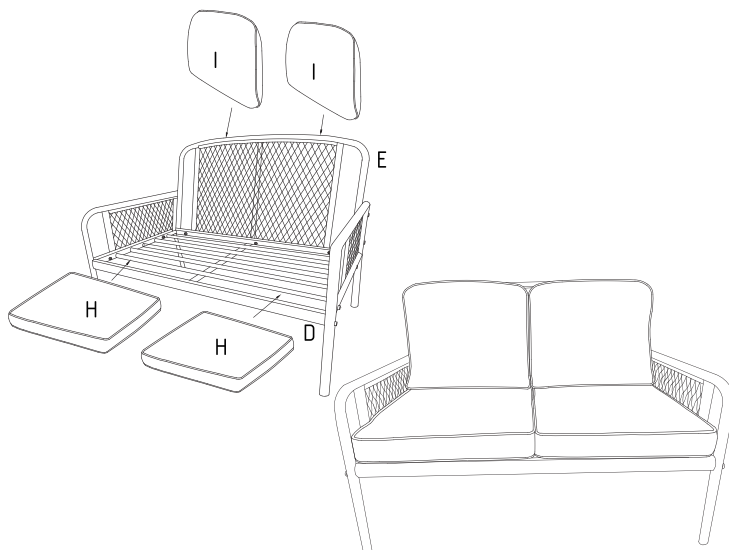
3 Completing the Assembly

- Fully tighten all Bolts (EE) and Hex Nuts (GG) with Allen Wrench (KK) and Hex Wrench (II).
- Attach all Plastic Caps (HH) and (JJ).



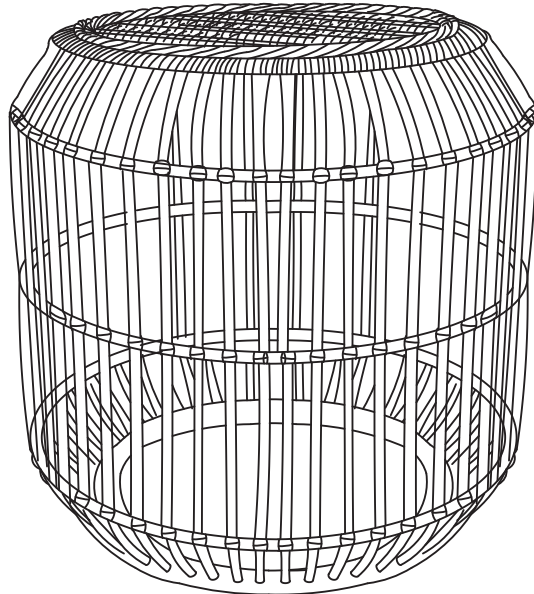
4 Assembly the Seat and Back Cushion

- Place the Seat Cushions (H) on the Seat (D).
- Place the Back Cushions (I) on the Back (E).
- The loveseat is now ready for your enjoyment.



Pre-Assembly 65-91-12BR-245KT

PACKAGE CONTENTS



J

Part	Description	Quantity
J	Table	2

Maintenance

- Wash the frame with a mild solution of soap and water, rinse with clean water, and dry thoroughly.
- Cushions may also be cleaned by hand with a mild solution of soap and water. Rinse the cushion cover thoroughly and allow to drip dry. The back cushion and pillow should be spot cleaned with a soft cloth. Do not machine wash or tumble dry, as cushions may shrink. Do not use bleach or solvents on fabrics. Never use cleaners that contain acid or abrasive materials.
- Use and operation: To improve the lifespan of this furniture, cover when not in use and store in a dry place in the off season.

Care and Cleaning

- Before using, wipe with a clean, dry cloth. Do not use bleach or solvents. When not in use, store furniture in a cool, dry place. If your set includes cushions or mesh fabric, they may be cleaned by hand with a mild solution of soap and water.
- Rinse cushion thoroughly and allow to drip dry. Do not machine wash or tumble dry, as cushions may shrink.
- Do not use bleach or solvents on fabrics. When cleaning the table top make sure to use a soft, clean cloth that does not bleed color as well.

HAMPTON BAY[®]

Questions, problems, missing parts?

Before returning to the store, call Hampton Bay Customer Service
8 a.m. – 7 p.m., EST, Monday-Friday, 9 a.m. – 6 p.m., EST, Saturday

1-855-HD-HAMPTON

HAMPTONBAY.COM

Retain this manual for future use.