

Use and Care Guide

Item #735072, 1001543053

Model #9085604, 9085608

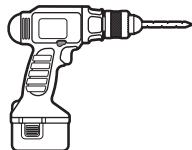
Profile Floating Ledge 2 pc Twin

HOME
DECORATORS
COLLECTION

TOOLS REQUIRED



Phillips screwdriver



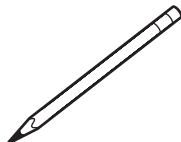
Power drill



7/32 in. drill bit

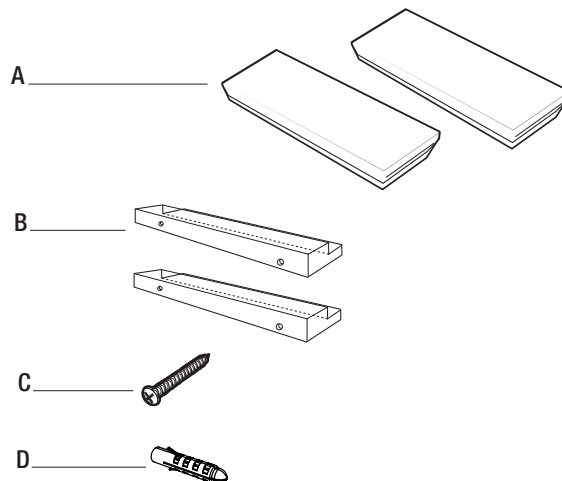


Level



Pencil

PACKAGE CONTENTS

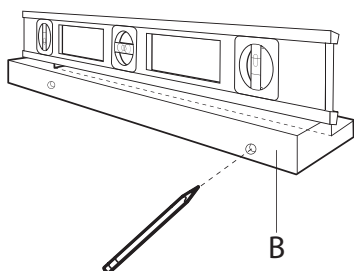


Part	Description	Quantity
A	Shelf	2
B	Bracket	2
C	Screw	4
D	Drywall anchor	4

Installation

1 PREPARING FOR INSTALLATION

- Place the bracket (B) against the wall in the desired position.
- While holding the bracket (B) against the wall, use a level to ensure that the bracket (B) is level.
- Use a pencil to mark the bracket (B) holes on the wall.

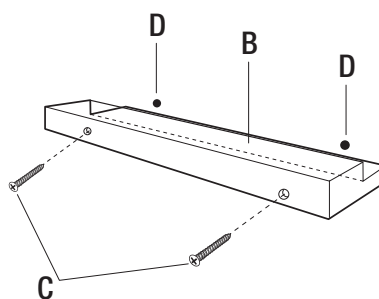


2 INSTALLING THE BRACKET



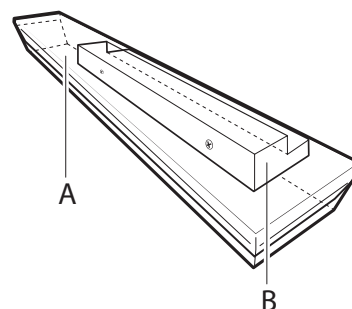
IMPORTANT: If you are drilling into a stud, it is NOT necessary to pre-drill the hole!

- Using a power drill and a 7/32 in. drill bit, drill holes into the wall at the pencil marks. Only in drywall locations where there is not a stud.
- Insert two drywall anchors (D) into the holes.
- Use a Phillips screwdriver and two screws (C) to secure the bracket (B) to the wall.



3 INSTALLING THE SHELF

- Slide the shelf (A) onto the bracket (B).
- Repeat step 1-3 for second shelf.



Safety Information



WARNING: It is strongly recommended that this shelf be installed in at least one stud to ensure maximum stability and load capacity.



WARNING: The maximum load capacity of this shelf is 15 lbs.

Warranty

WHAT IS COVERED

The supplier warrants the original purchaser of this product against defects in material and workmanship for a period of one year from date of original purchase. Our sole obligation under this warranty is to repair or replace the defective product, which must be returned during the warranty period, to the store where the product was purchased. Return of the product must be accompanied by a dated proof of purchase, such as a photocopy of the receipt.

This warranty does not apply if accident or misuse has resulted in damage to the product. We make no other warranty, expressed or implied, to you or any other person or entity. Specifically, we make no warranty that this product is fit for a particular purpose. Any implied warranty of merchantability is limited to the respective duration and the conditions stated in this Limited Warranty and are otherwise expressly disclaimed. We will not be liable for special, incidental, consequential, indirect, or other similar damages, even if our agent or we have been advised of the possibility of the damages. This means that we are not responsible or liable for damages or costs incurred as a result of loss of time, loss of profits, or loss of use of the product. In addition, we are not responsible or liable for damages of costs incurred in connection with obtaining a substitute product, claims by others, inconvenience, or similar costs. In no event will our liability for any damages to you or any other person ever exceed the price paid for this product regardless of any form of the claim.

Additional statements by our employers, agents, representatives, distributors, dealers, and retailers such as advertisements or presentations, do not constitute warranties by us, do not bind us, nor should these statements be relied upon.