

see what Delta can do™

LAVATORY FAUCET

- Porter® Collection
- Two Handle Deck Mount

STANDARD SPECIFICATIONS:

- Maximum 1.5 gpm @ 60 psi, 5.7 L/min @ 414 kPa
- Maximum (ECO models only) 1.2 gpm @ 60 psi, 4.5 L/min @ 414 kPa
- Three hole mount
- Spout rotates 360°
- Hot and cold stems are interchangeable
- 1/4 turn handle stops
- Solid brass cast body
- Control mechanism is a rotating cylinder type with stainless steel plate and 90° rotation, with replaceable non-metallic seats
- Models have drain with pop-up type fitting with plated flange and stopper
- RP76691 thick deck mounting kit adds 1 1/4" (25 mm) to maximum deck thickness

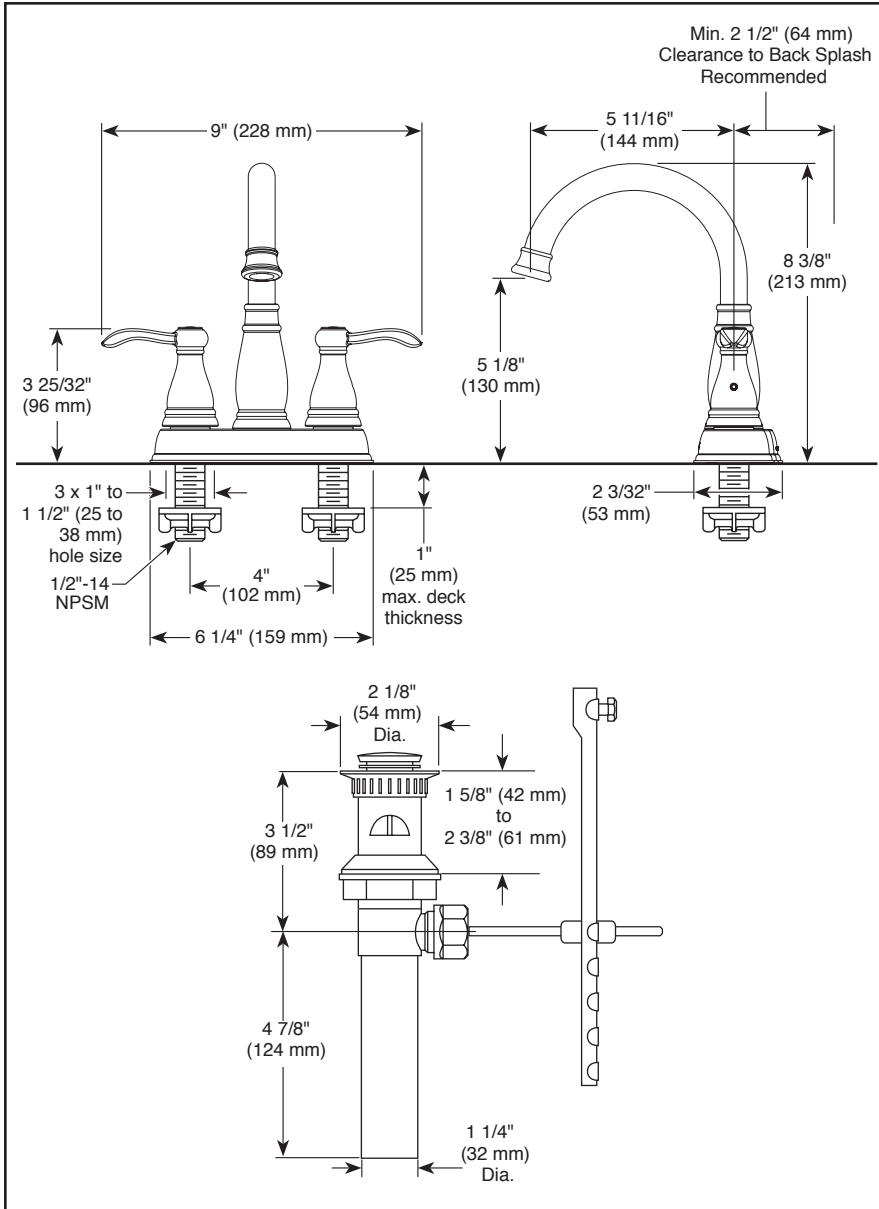
WARRANTY:

- Lifetime limited warranty on parts (other than electronic parts and batteries) and finishes; or, for commercial users, for 5 years from date of purchase.
- 5 year limited warranty on electronic parts (other than batteries); or, for commercial users, for 1 year from the date of purchase. No warranty is provided on batteries.



COMPLIES WITH:

- ASME A1 12.18.1 / CSA B125.1
- ASME A1 12.18.2 / CSA B125.2
- Indicates compliance to ICC/ANSI A117.1
- EPA WaterSense®
- Verified compliant with 0.25% weighted average Pb content regulations



▲ Designate proper finish suffix

Delta Faucet Company
55 E. 111th Street, Indianapolis, IN 46280
350 South Edgeware Road, St. Thomas, ON N5P 4L1
© 2018 Delta Faucet Company

Delta reserves the right (1) to make changes in specifications and materials, and (2) to change or discontinue models, both without notice or obligation. Dimensions are for reference only. See current full-line price book or www.deltafaucet.com for finish options and product availability.

DSP-L-25984LF Rev. F