

## TABLE OF CONTENTS

Product Specifications . . . . . 2	Maintenance . . . . . 10
Symbols . . . . . 3	Storage . . . . . 11
Safety Warnings . . . . . 4 - 5	Troubleshooting . . . . . 11
Assembly . . . . . 6 - 7	Warranty . . . . . 12
Operating . . . . . 8 - 9	

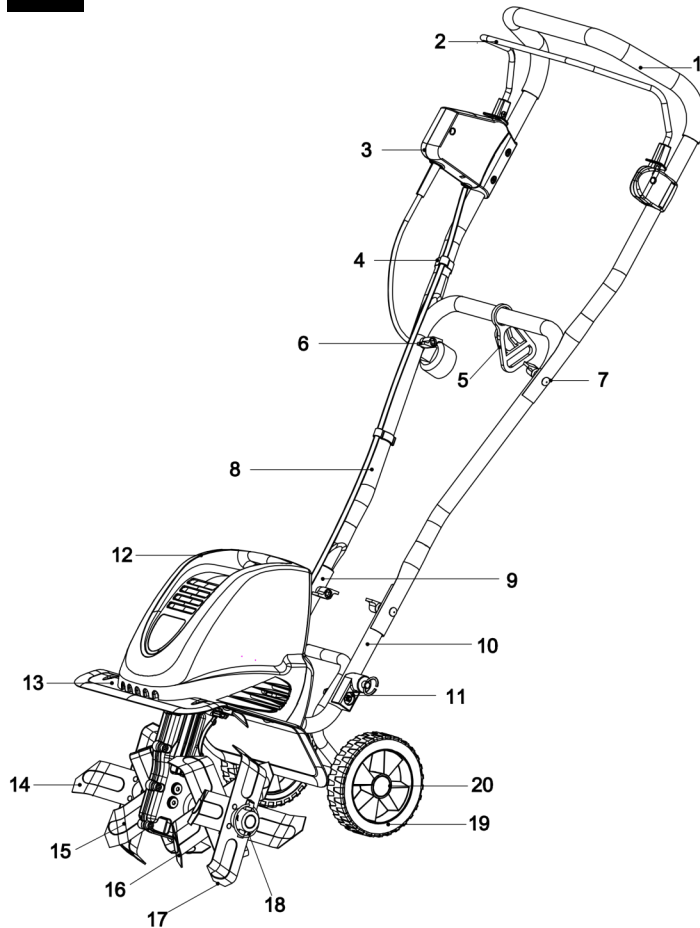
## PRODUCT SPECIFICATIONS

Model: TC78510

Power supply voltage: 120V-60HZ  
 Tine Speed: 320 RPM  
 Power Consumption: 8.5 Amp

Working width: 7-IN or 11-IN  
 Working depth max: 8-IN

1



No.	Description (P/N)	No.	Description (P/N)
1	Upper handle section (RTC78510-01)	11	Wheel frame lock pin (RTC78510-10)
2	Bail wire (RTC78510-17)	12	Motor housing (RTC78510-22)
3	Switch box and power cable assembly (RTC78510-02)	13	Protective shield (RTC78510-33)
4	Cable clip (RTC78510-03)	14	Tine assembly, D (RTC78510-42)
5	Cord retainer (RTC78510-04)	15	Tine assembly, C (RTC78510-43)
6	Wing nut (RTC78510-05)	16	Tine assembly, B (RTC78510-55)
7	Bolt M6 x 45 (RTC78510-06)	17	Tine assembly, A (RTC78510-56)
8	Center handle section (RTC78510-07)	18	Tine lock pin (RTC78510-50)
9	Lower handle section - II (RTC78510-16)	19	Wheel (RTC78510-62)
10	Lower handle section - I (RTC78510-09)	20	Wheel hub cap (RTC78510-60)