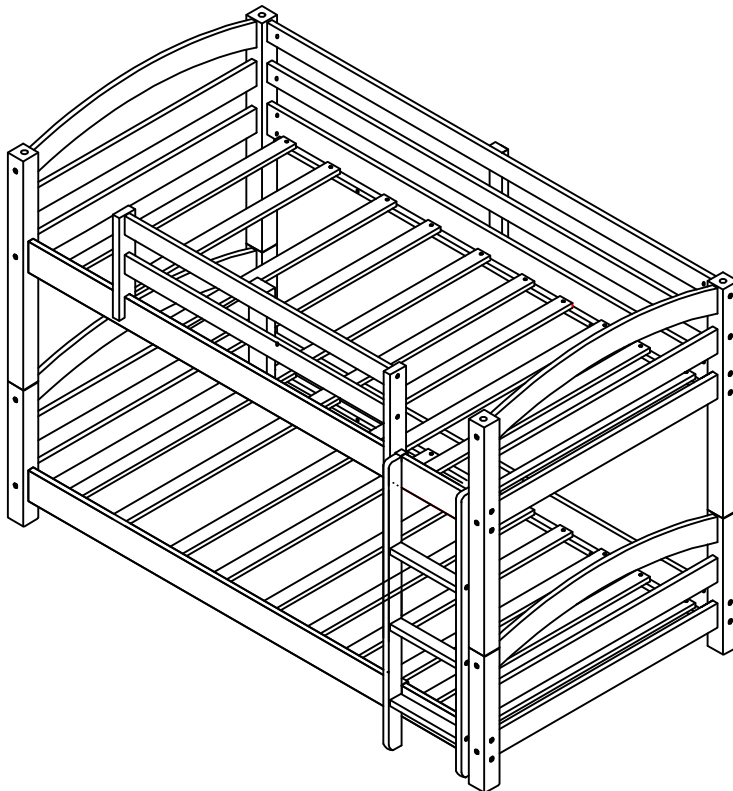


ASSEMBLY INSTRUCTIONS

ITEM # : **WF195692 & WF195693**

SAFETY WARNINGS

- 1-Follow the information on the warning label appearing on the upper bunk bed and structure on the carton .Do not remove warning label from bed
- 2-Always use the recommended size mattress or mattress support, or both, to help prevent the likelihood of entrapment or falls.
- 3-Surface of mattress must be at least 5 inches below the upper edge of guard rails.
- 4-Do not allow children under 6 years to use the upper bunk bed.
- 5-Prohibit more than one person on upper bunk.
- 6-Periodically check and ensure that the guardrail, ladder, and other components are in their proper position, free from damage, and that all connectors are tight.
- 7-Do not allow horseplay on or under the bed and prohibit jumping on the bed.
- 8-Always use the ladder for entering and leaving upper bunk.
- 9-Do not use substitute part. Contact the manufacturer or dealer for replacement part.
- 10-Use of night light may provide added safety precaution for a child using the upper bunk.
- 11-If the bunk bed will be placed next to a wall, the guardrail that runs the full length of the bed.
- 12-Always use guardrail on both long sides of the upper bunk.
- 13-The use of water or sleep flotation mattresses is prohibited.
- 14-Keep these instruction for future reference.
- 15-Strangulation Hazard - Never attach or hang items to any part of the bunk bed that are not designed for use with the bed, for example, but not limited to hooks, belts and jump rores.



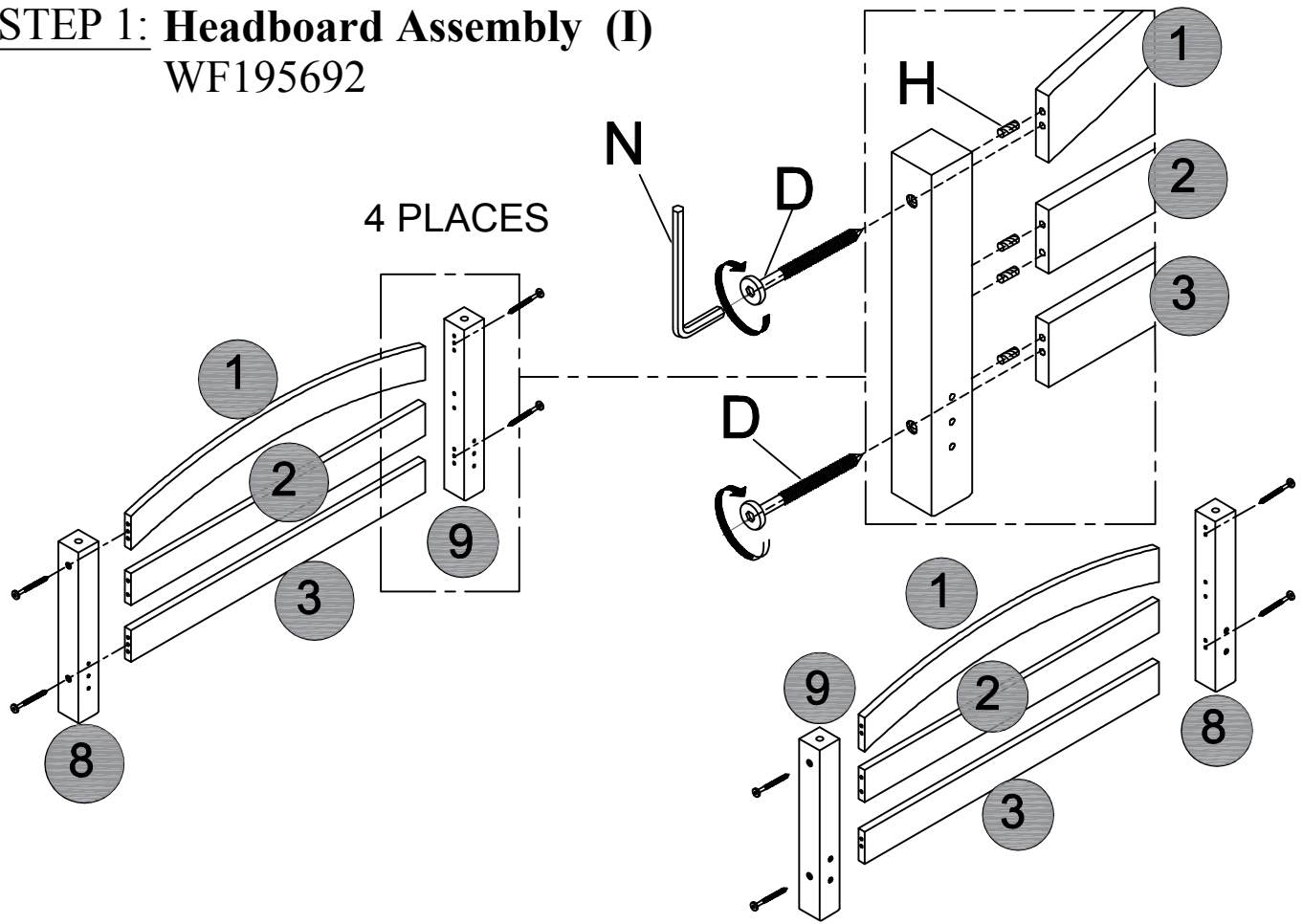
PLEASE DO NOT RETURN PRODUCT TO THE STORE.

If you have any problem or concerns, please feel free to contact our customer service department. We will reply you as soon as possible.

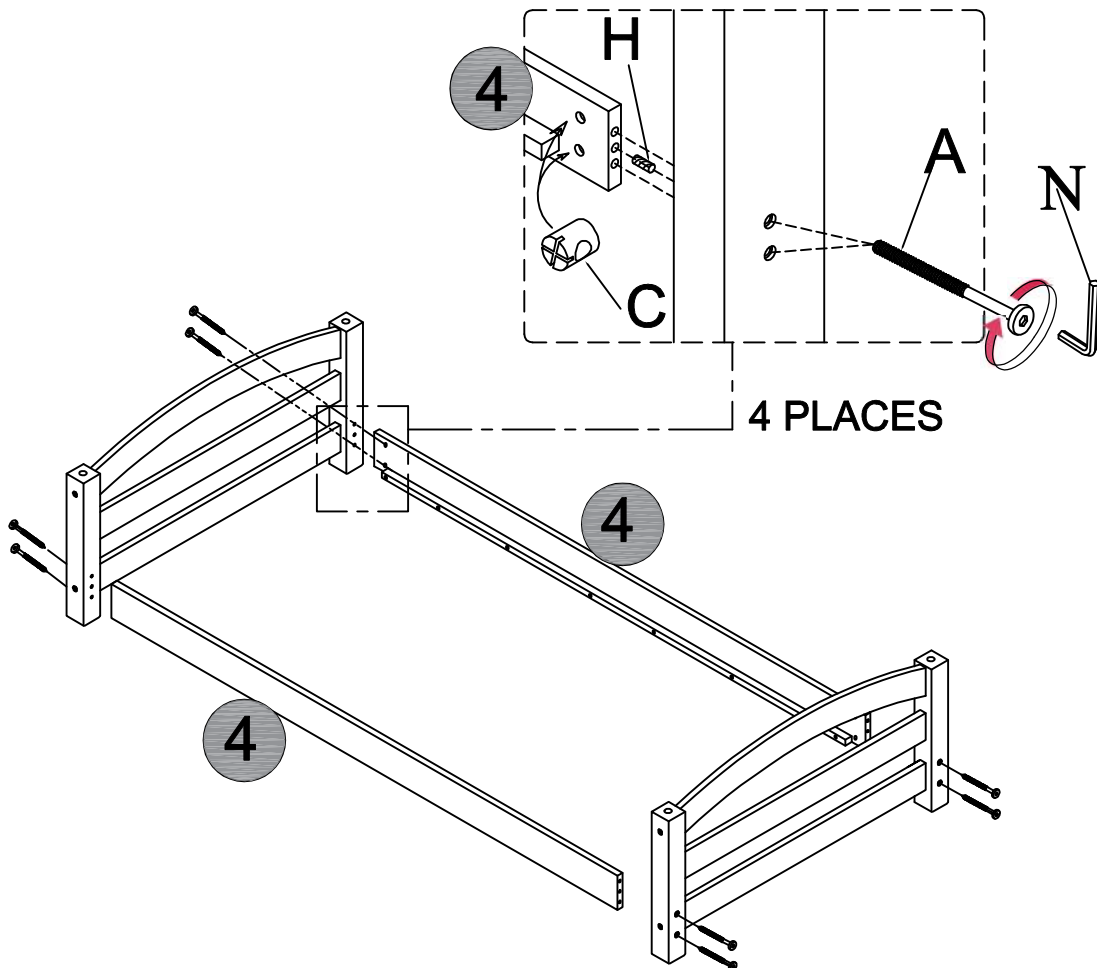


E-Mail: csr@merax.com
Tel: 626-912-8886 Ext.100

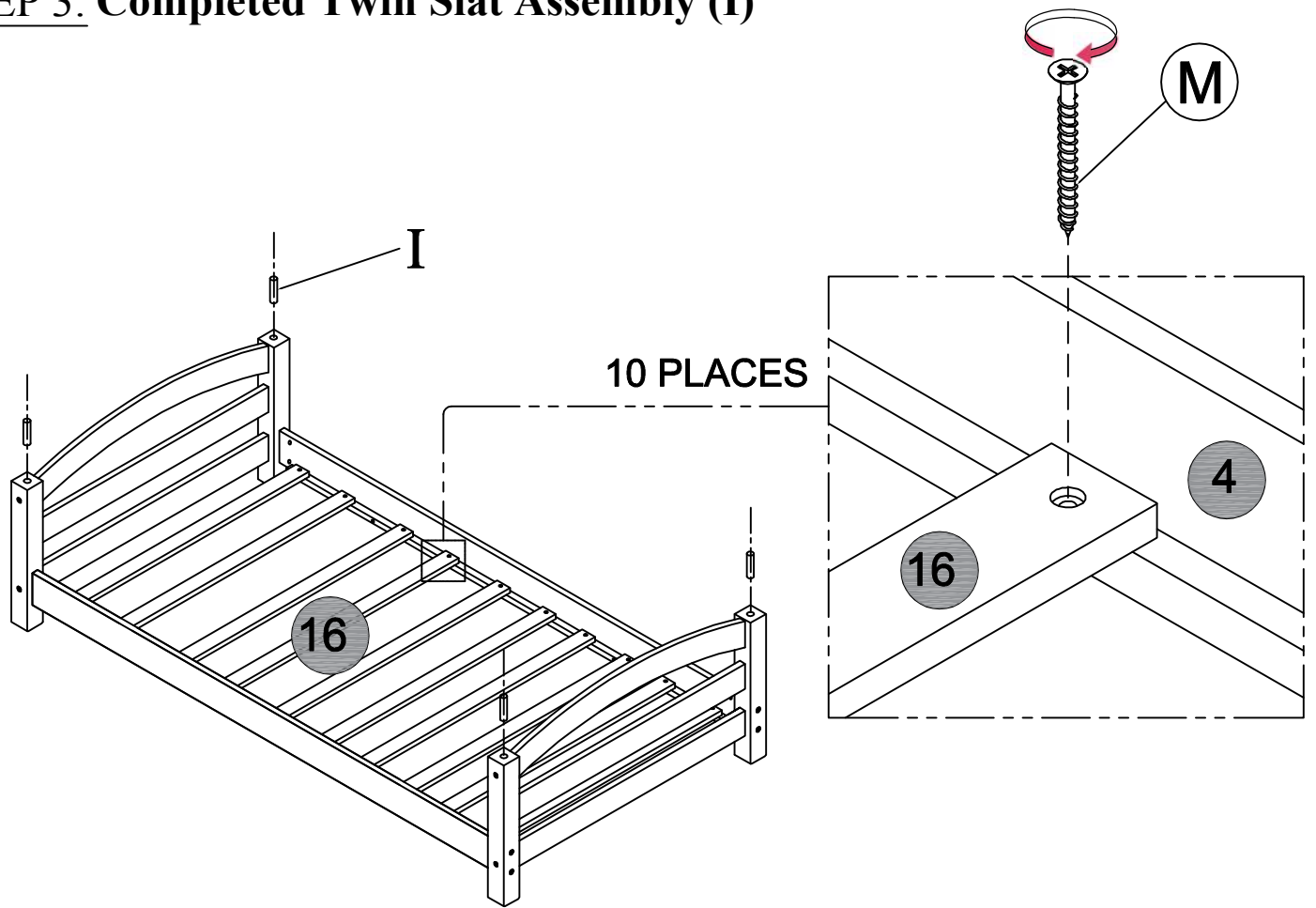
STEP 1: Headboard Assembly (I)
WF195692



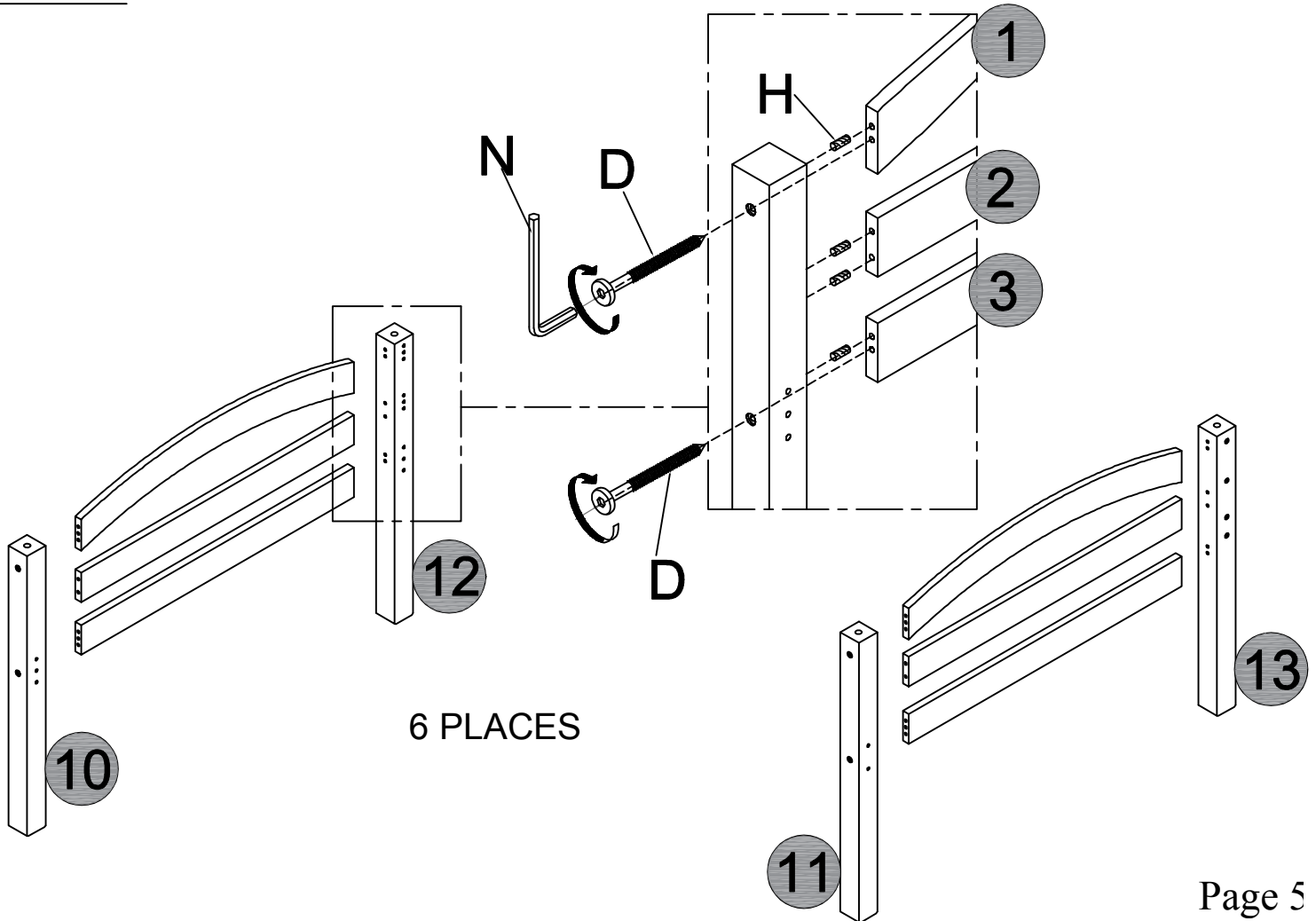
STEP 2: Headboard Assembly (I)



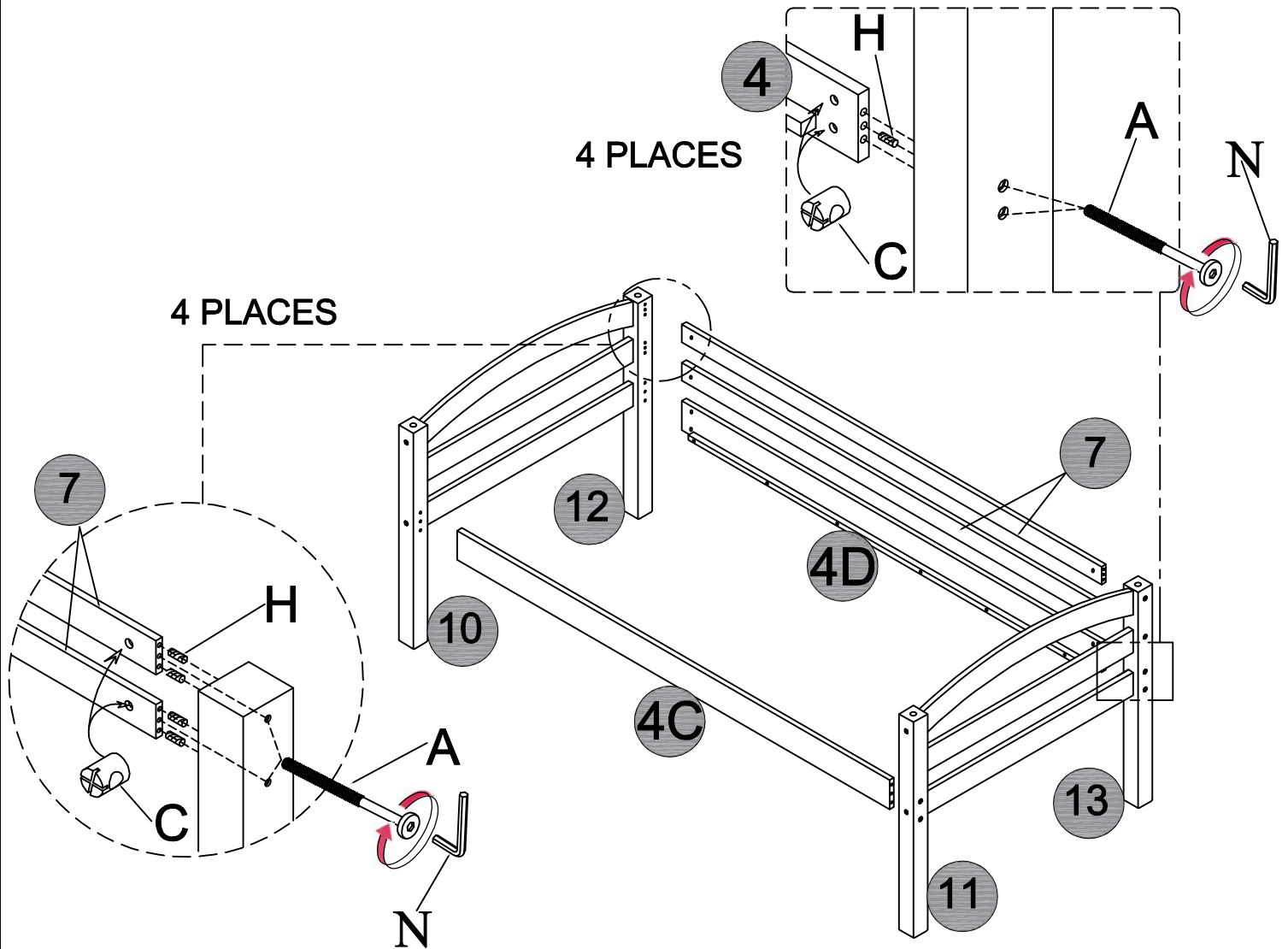
STEP 3: Completed Twin Slat Assembly (I)



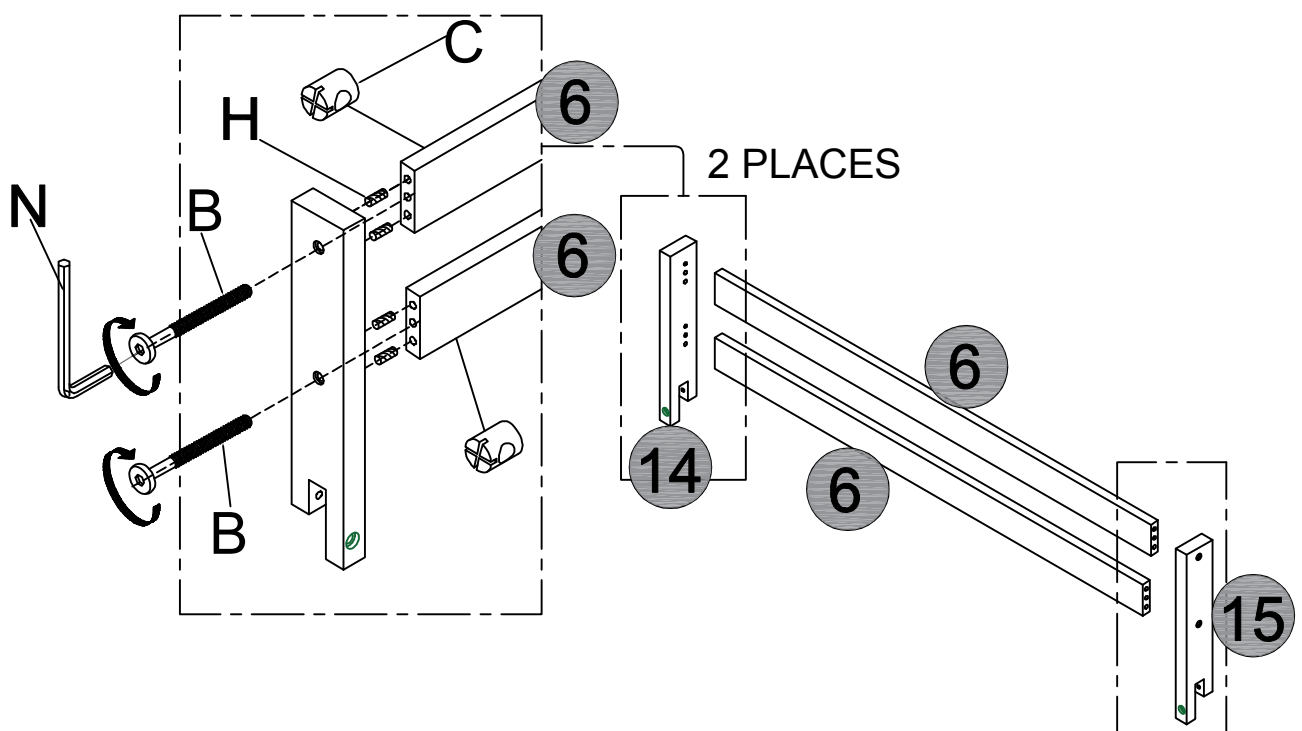
STEP 4:



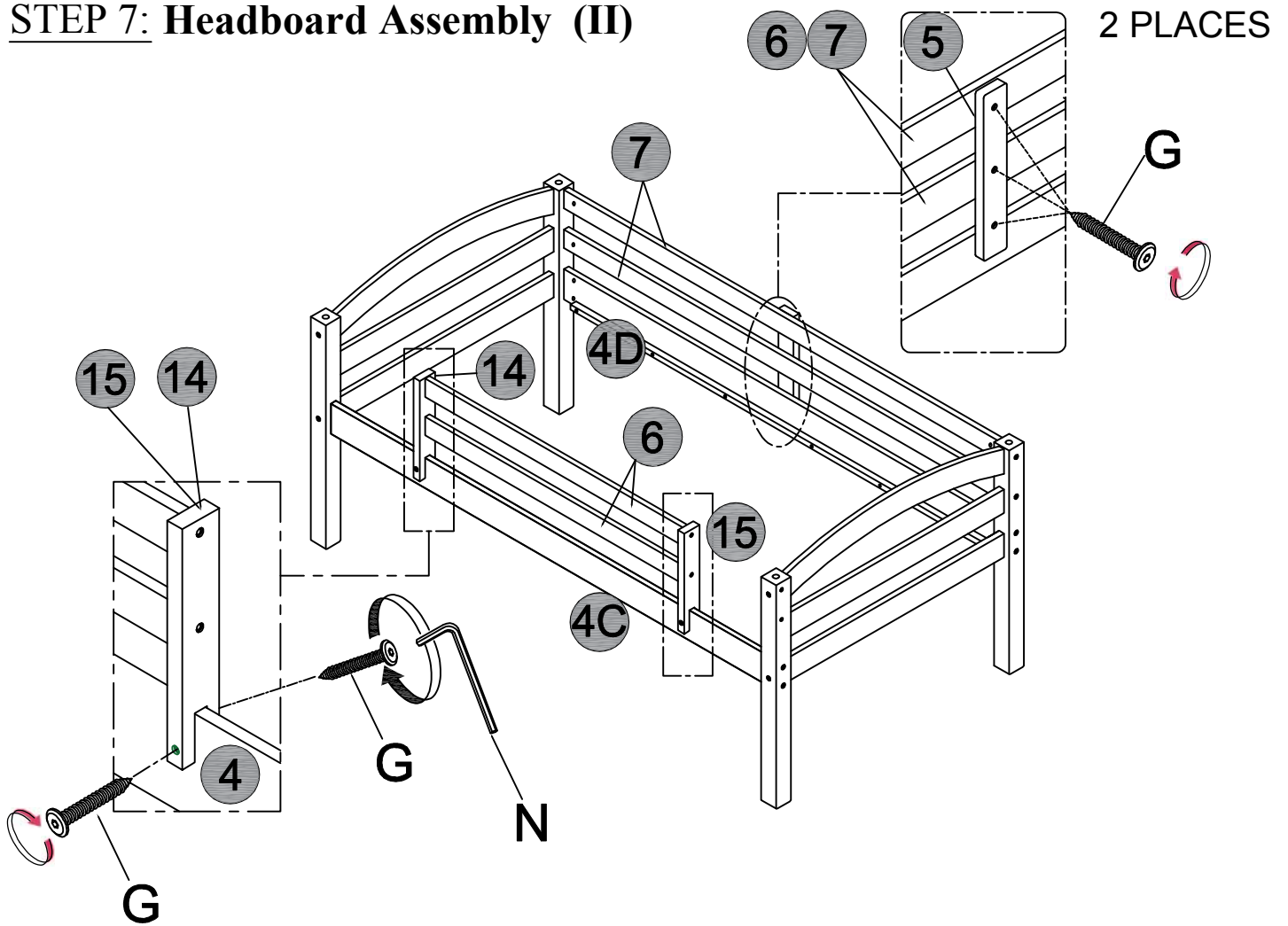
STEP 5: Headboard Assembly (II)



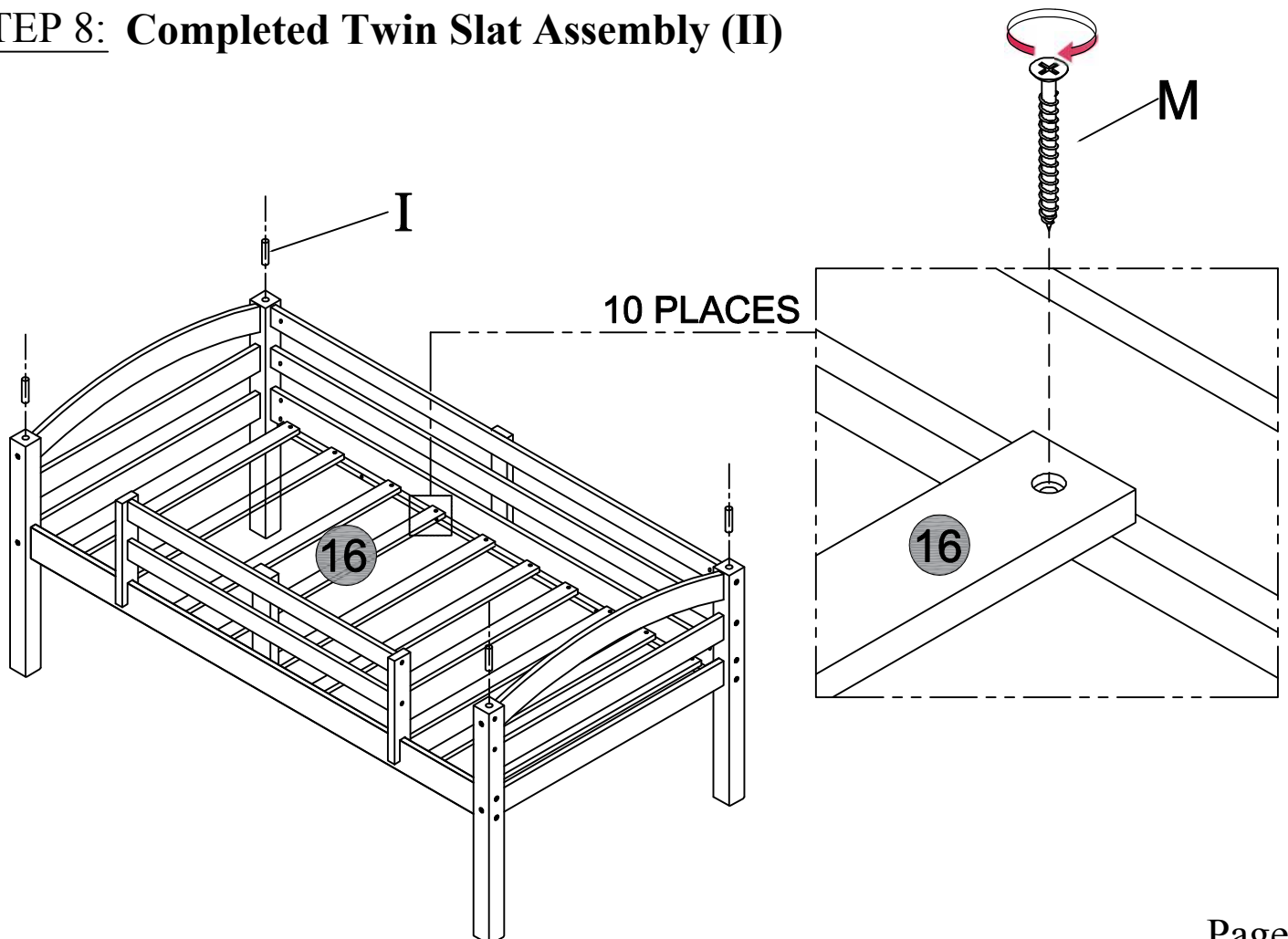
STEP 6: Headboard Assembly (II)



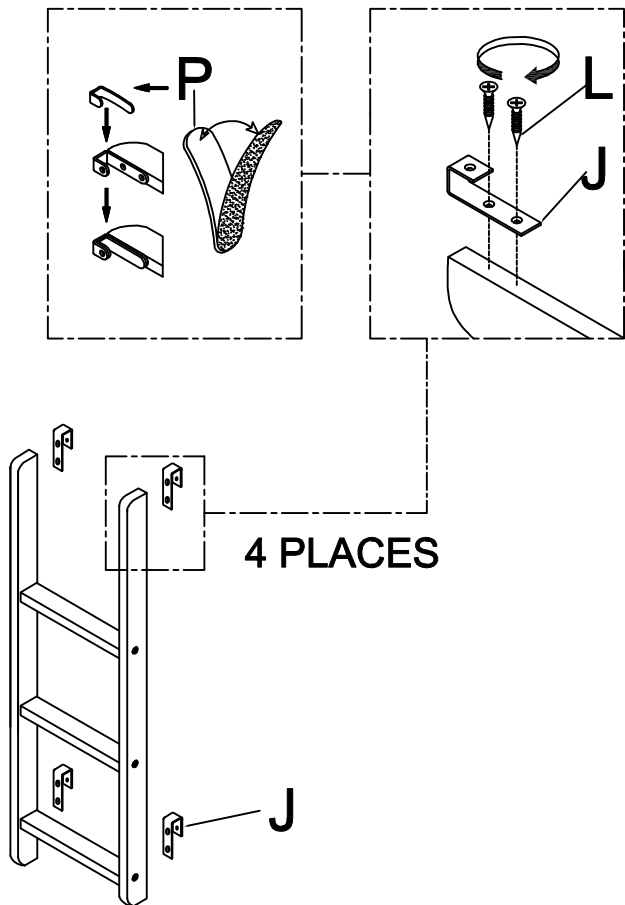
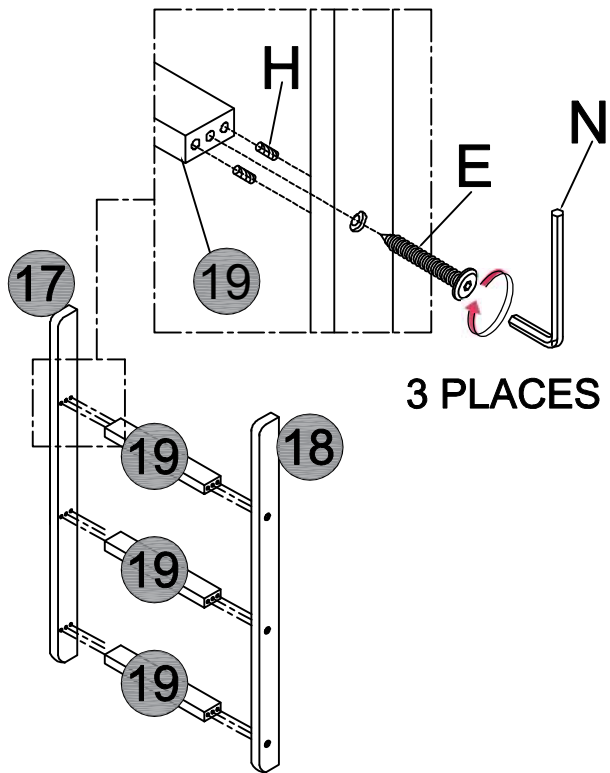
STEP 7: Headboard Assembly (II)



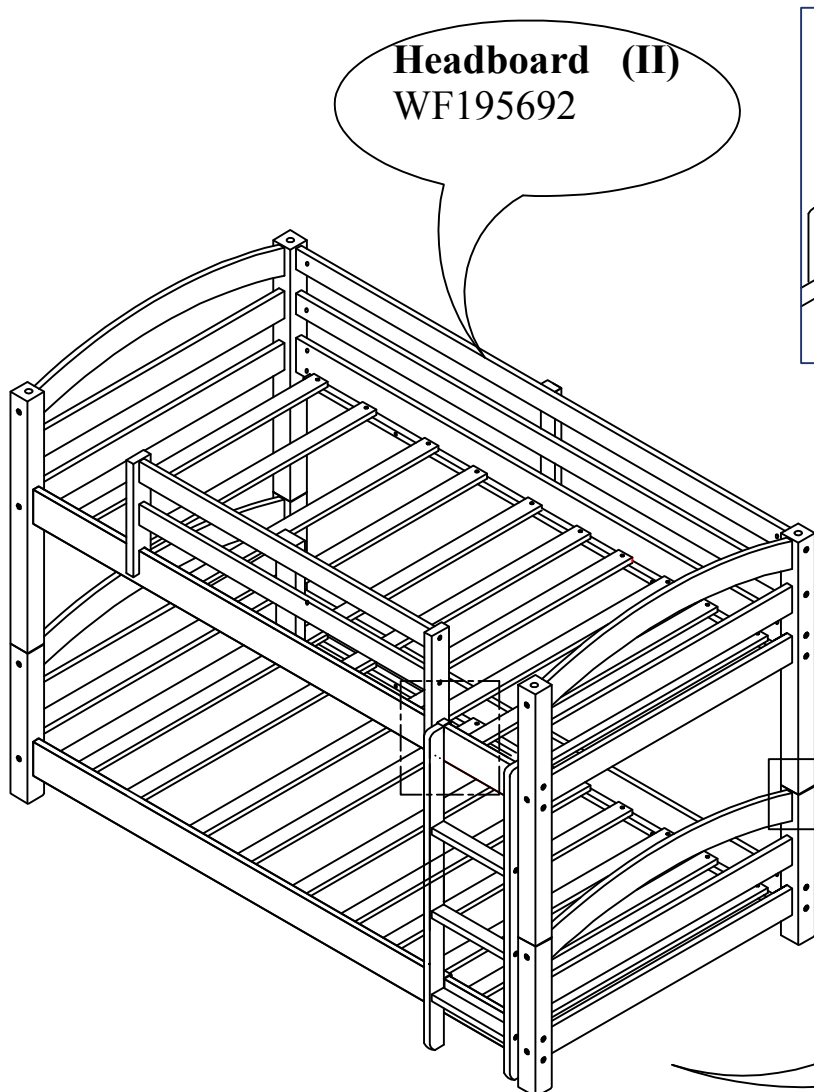
STEP 8: Completed Twin Slat Assembly (II)



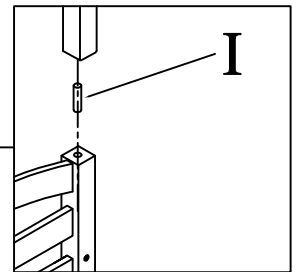
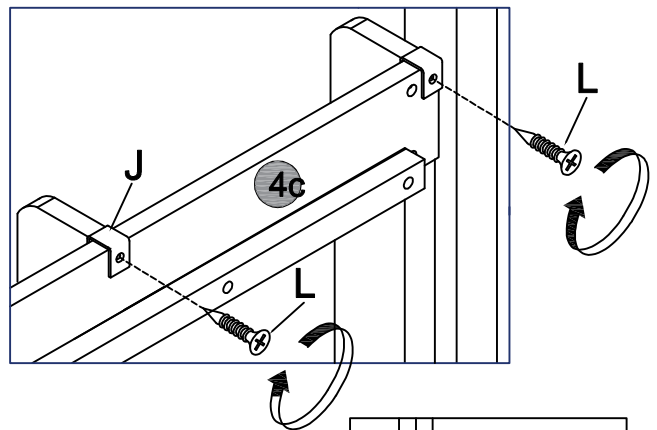
STEP 9: Ladder (II) Assembly



STEP 15: Ladder (I)&(II) Assembly



4 PLACES



Headboard (I)
WF195692