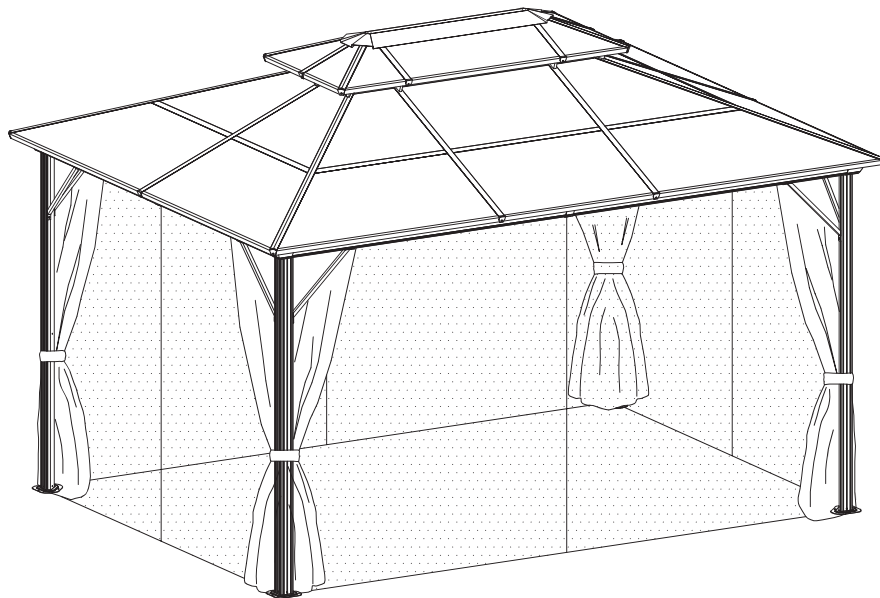


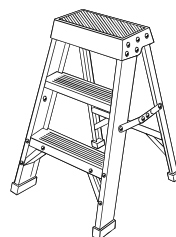
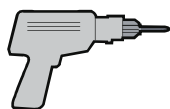
10 x13 FT

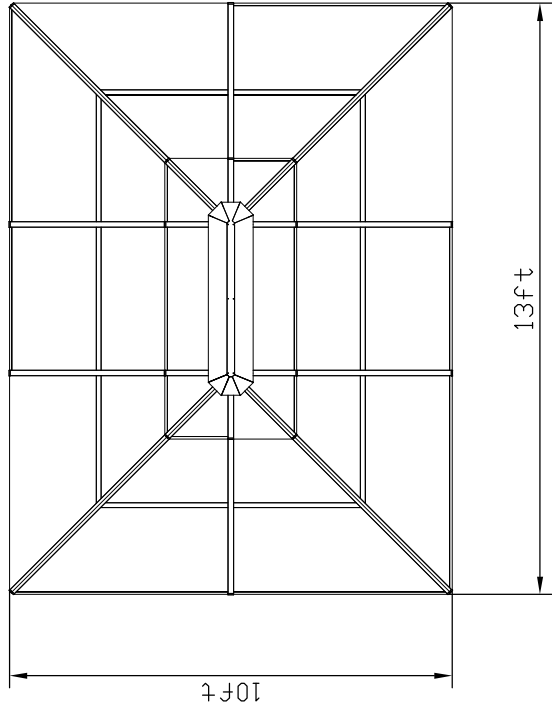
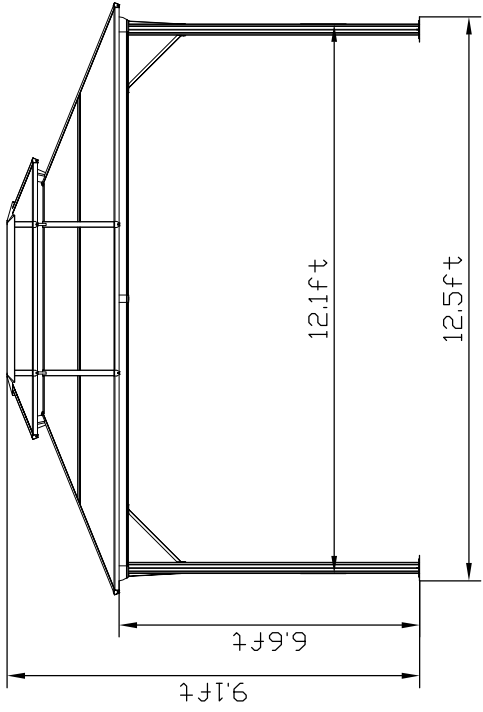
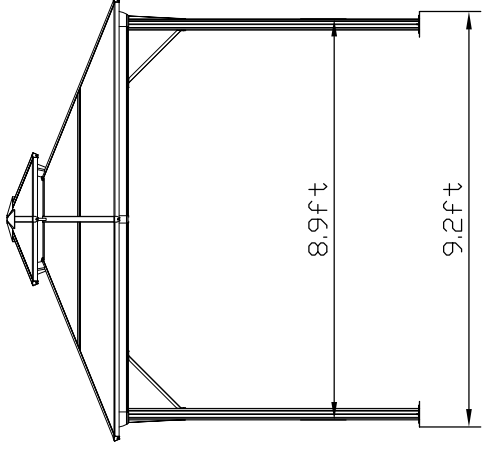
□ □ □ □ □ □ □ □ HWG - 011 □ □ □ □ □ □ □ □

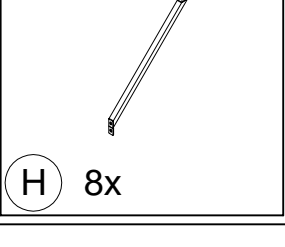
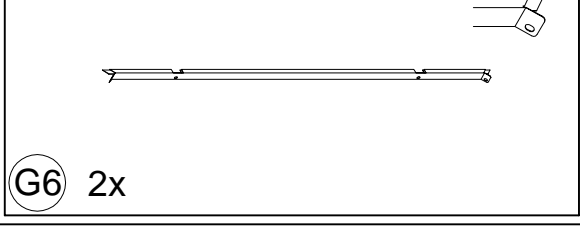
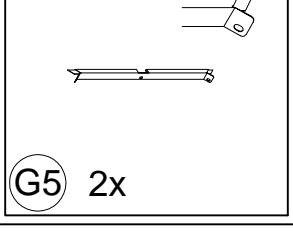
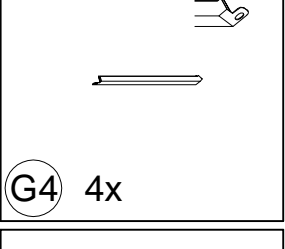
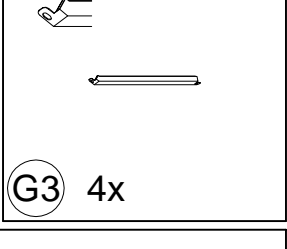
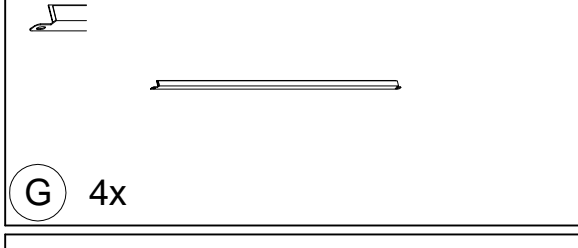
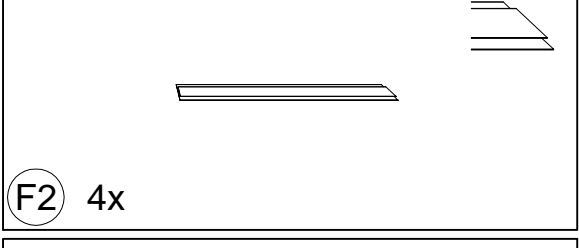
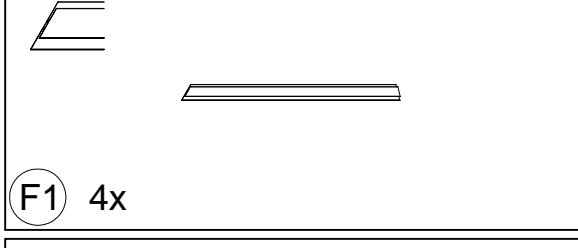
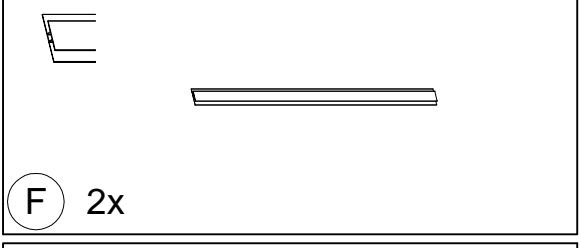
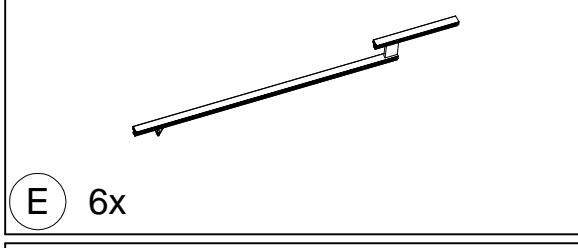
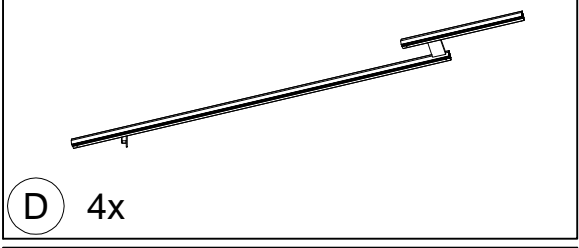
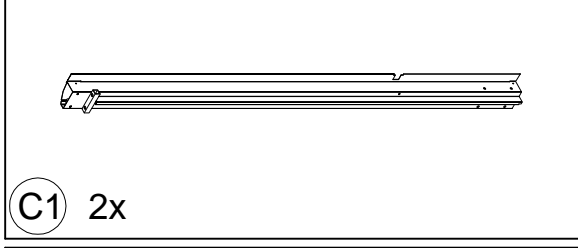
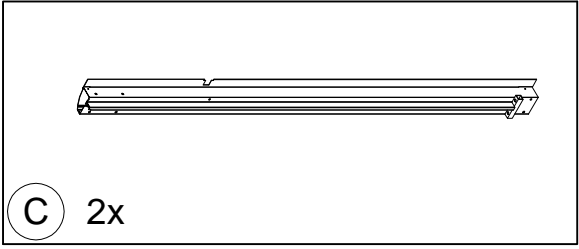
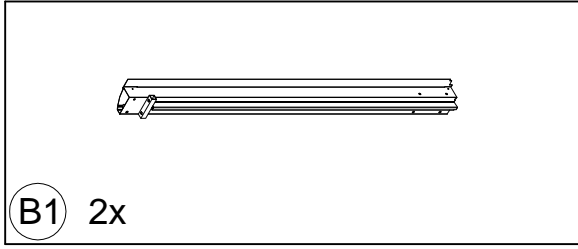
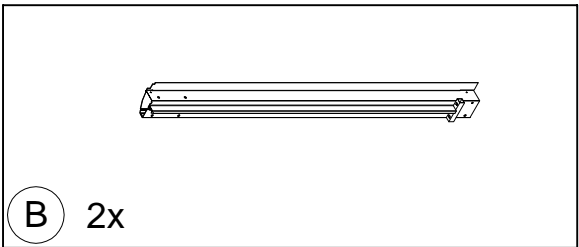
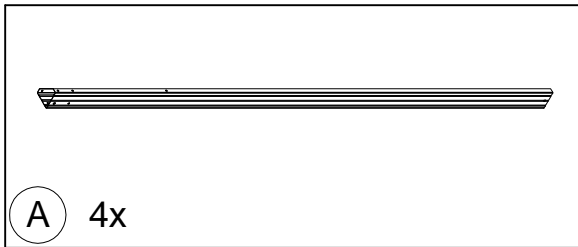


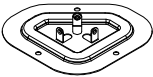
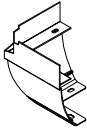

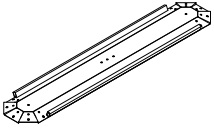
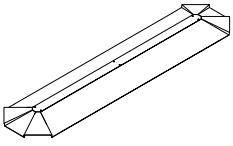


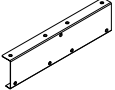
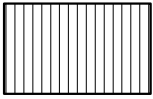
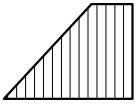
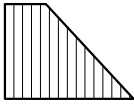
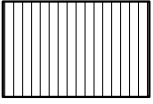
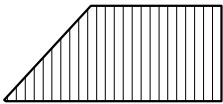
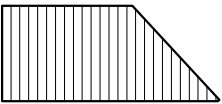
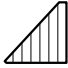

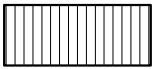
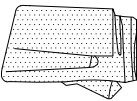
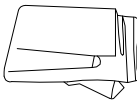

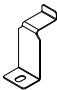







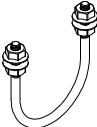
At least need 3person work together

REQUIRED TOOLS





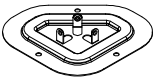


			
(J) 4x	(K) 4x	(K1) 4x	(L) 1x
			
(M) 1x	(N) 12x	(N1) 12x	(P) 4x
			
(Q) 2x	(Q1) 4x	(Q2) 4x	(R) 2x
			
(R1) 4x	(R2) 4x	(R3) 4x	(R4) 4x
			
(R5) 2x	(S) 4x	(T) 4x	(U) 112x
			
(V) 4x	S4 1x		
			
M6x15 (1) 127x	M6x35 (2) 16x	M5x12 (3) 16x	ST4.8x12 (4) 24x
			
(5) 2x	(8) 12x	(10) 1x	

<1>



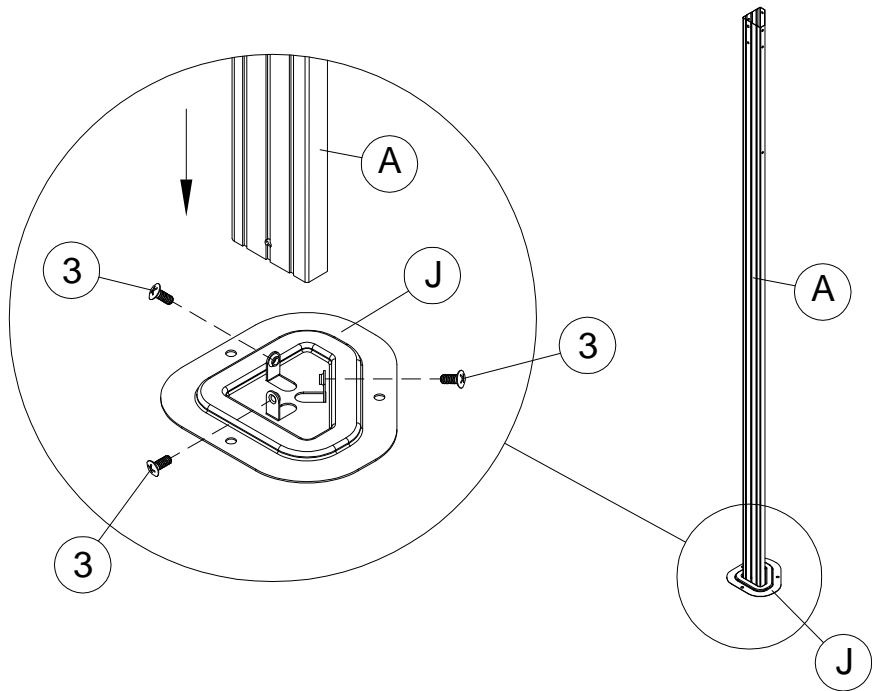
A 4x



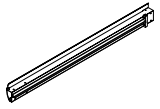
J 4x



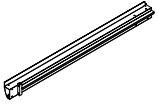
3 12x M5x12



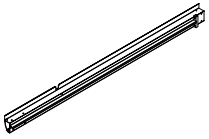
4



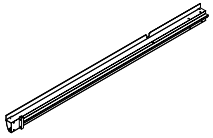
B 2x



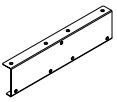
B1 2x



C 2x



C1 2x

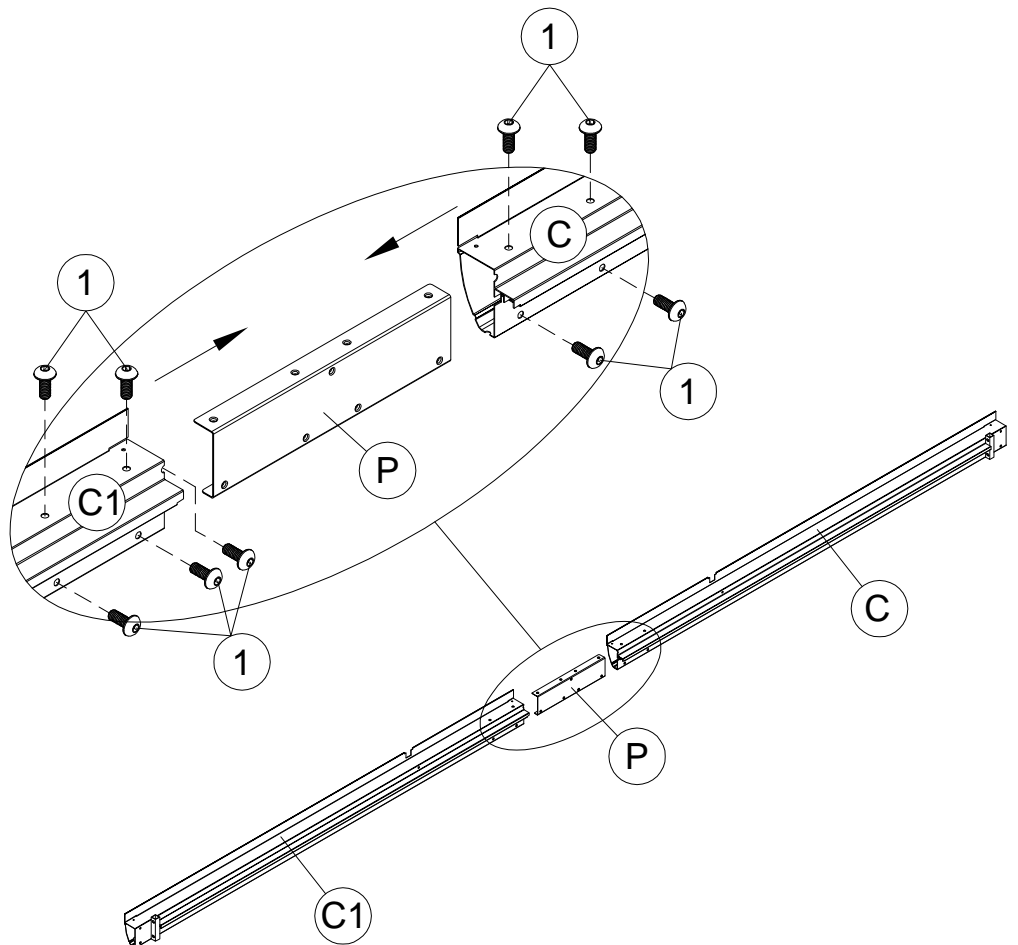
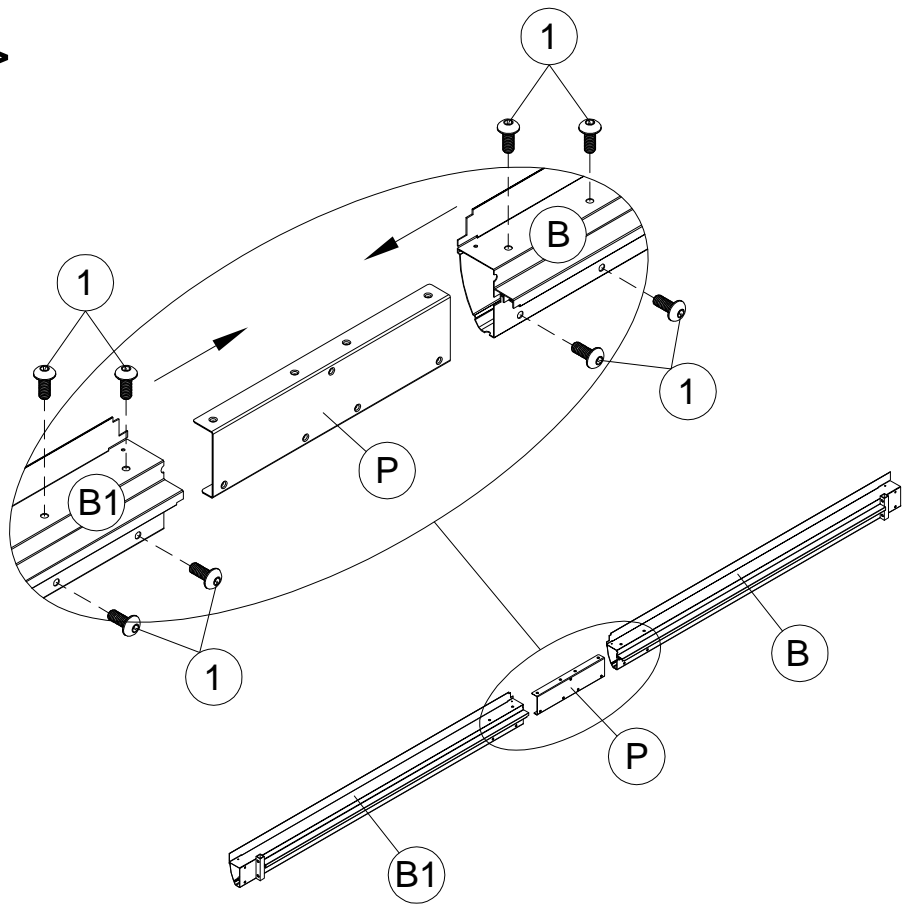


P 4x



1 34x M6x15

<2>



5

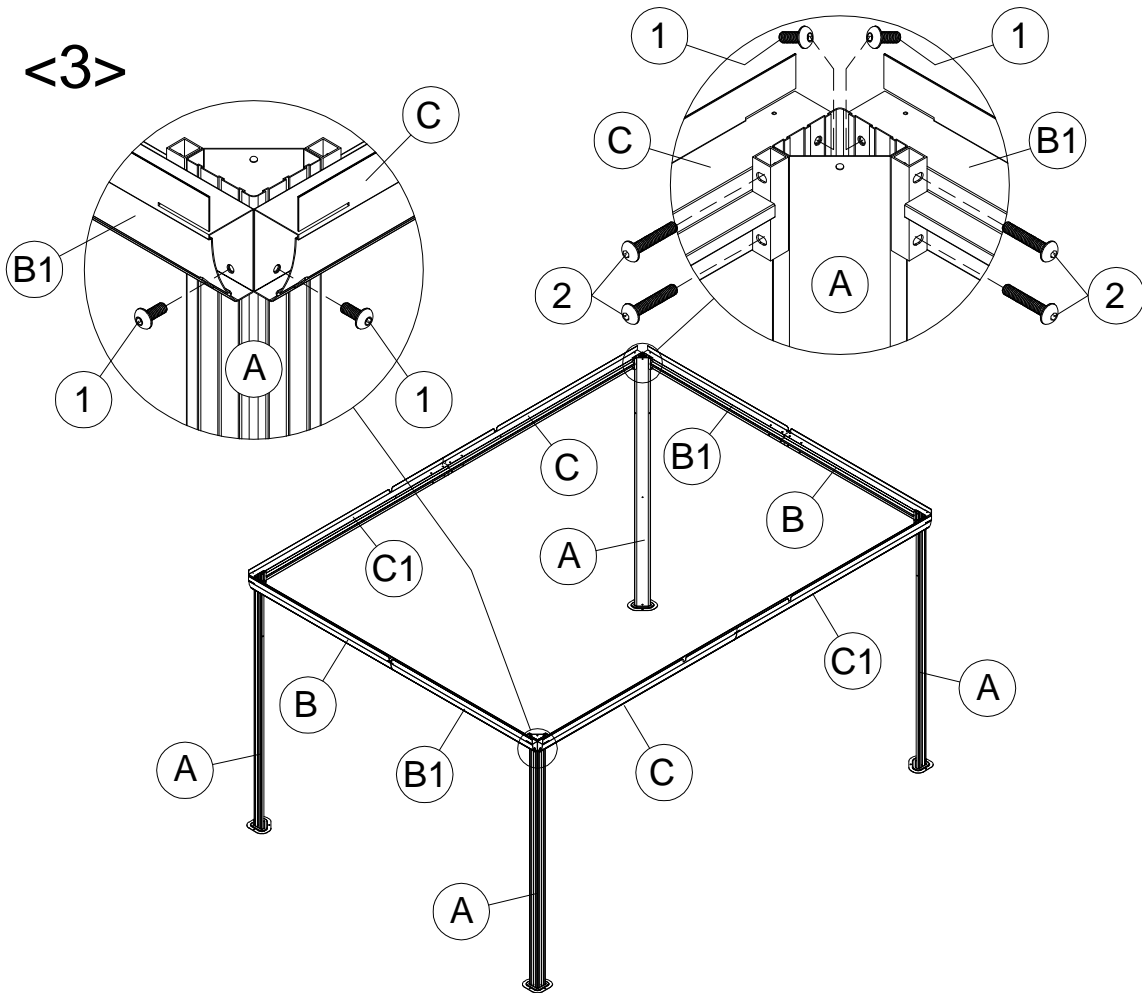


1 16x M6x15



2 16x M6x35

<3>

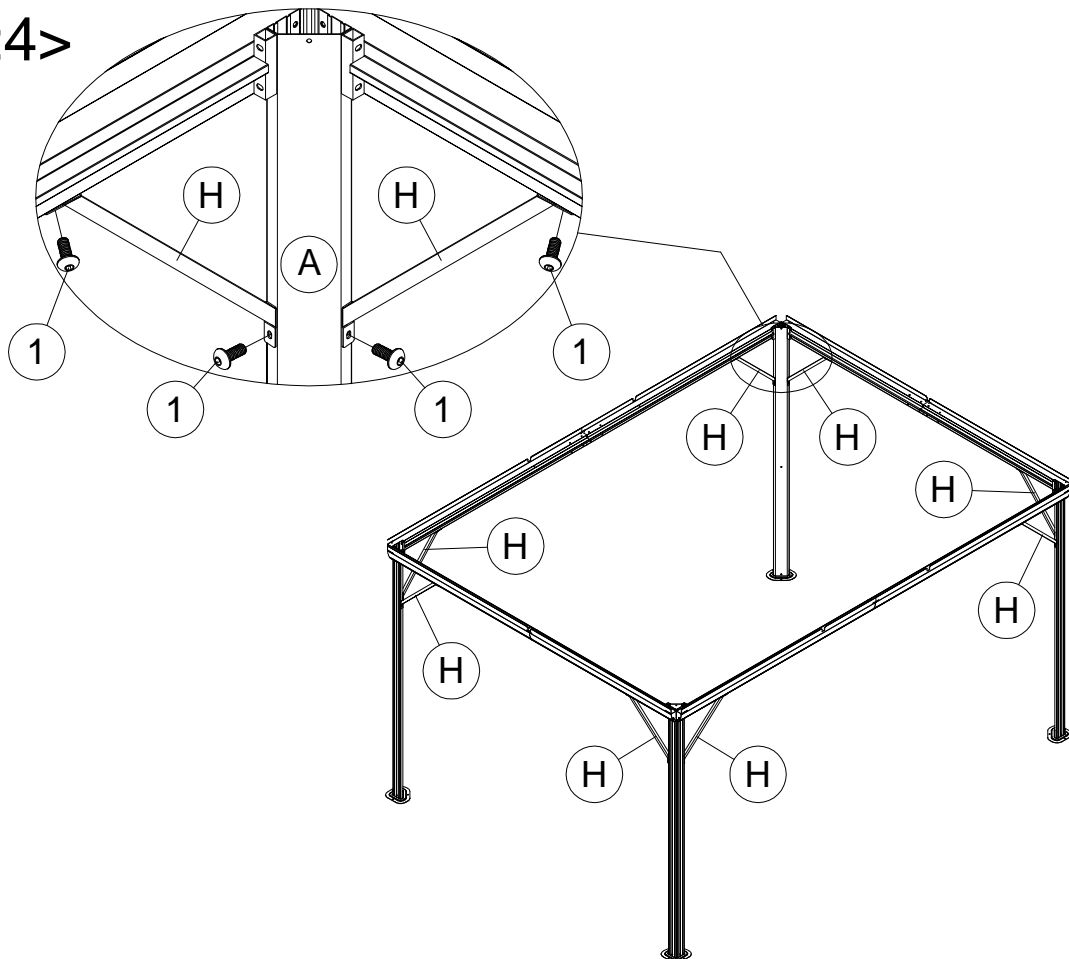


H 8x



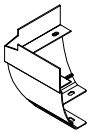
1 16x M6x15

<4>



6

<5>



K 4x



K1 4x



U 112x



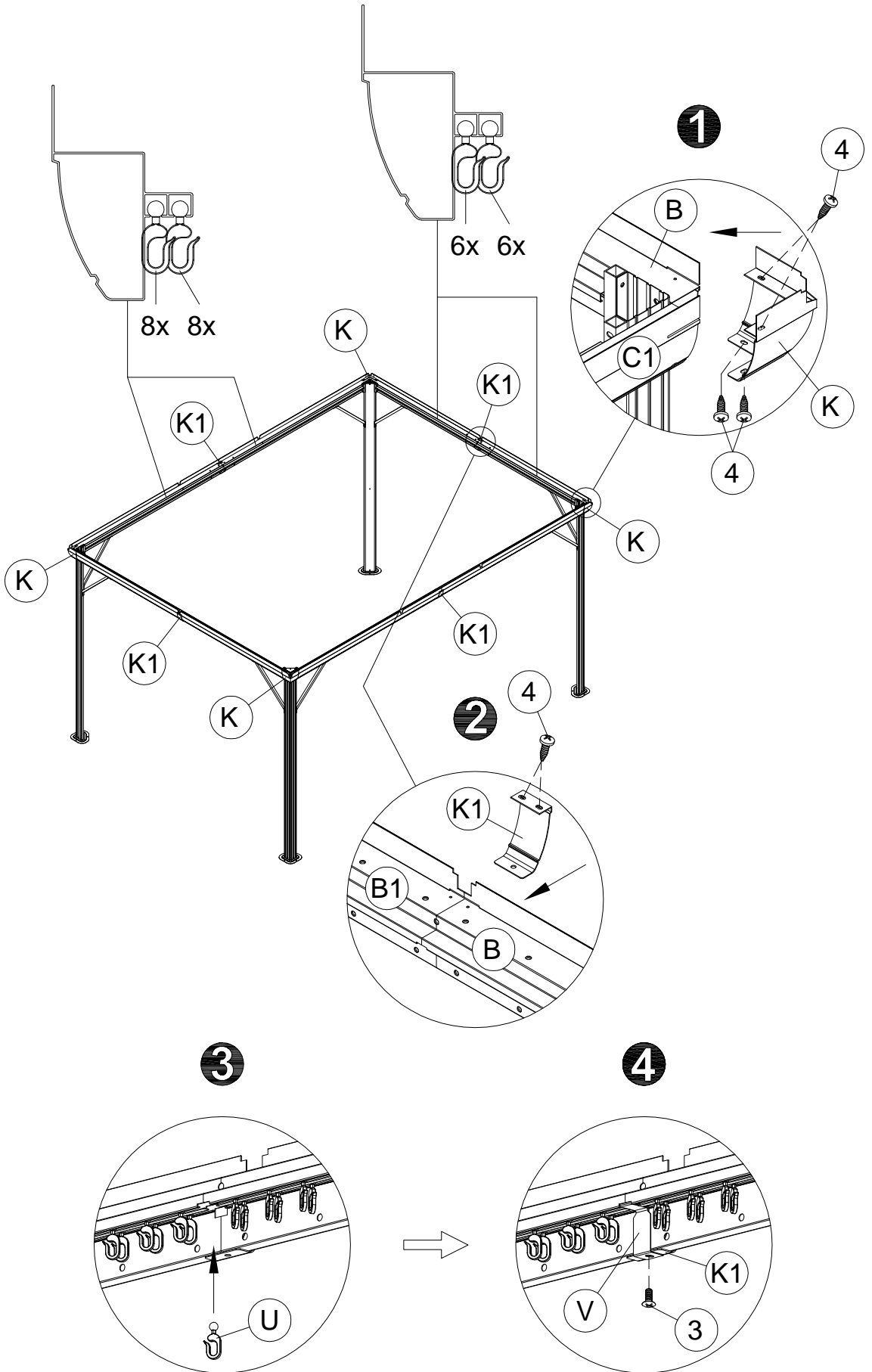
V 4x



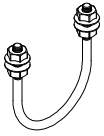
3 4x M5x12



4 ST4.8x12
24x

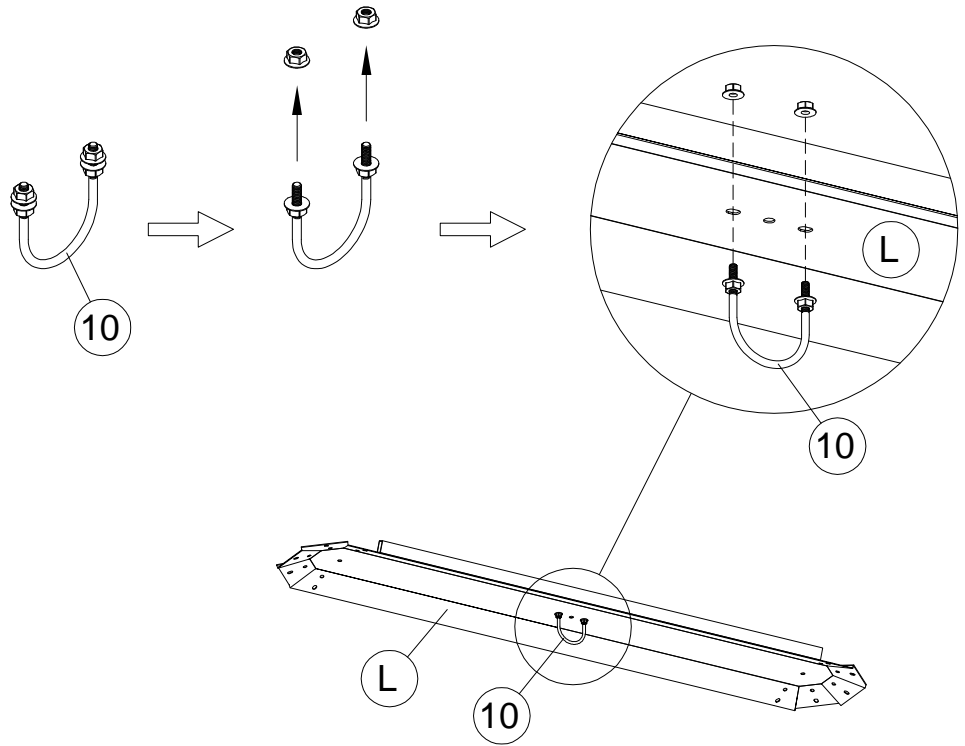


7



<6>

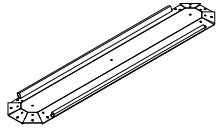
10 1x





<7>

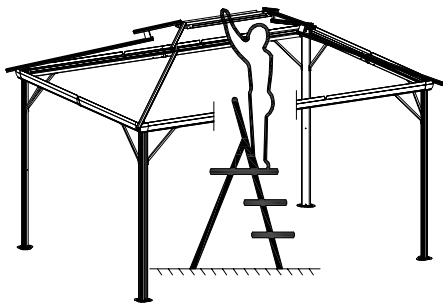
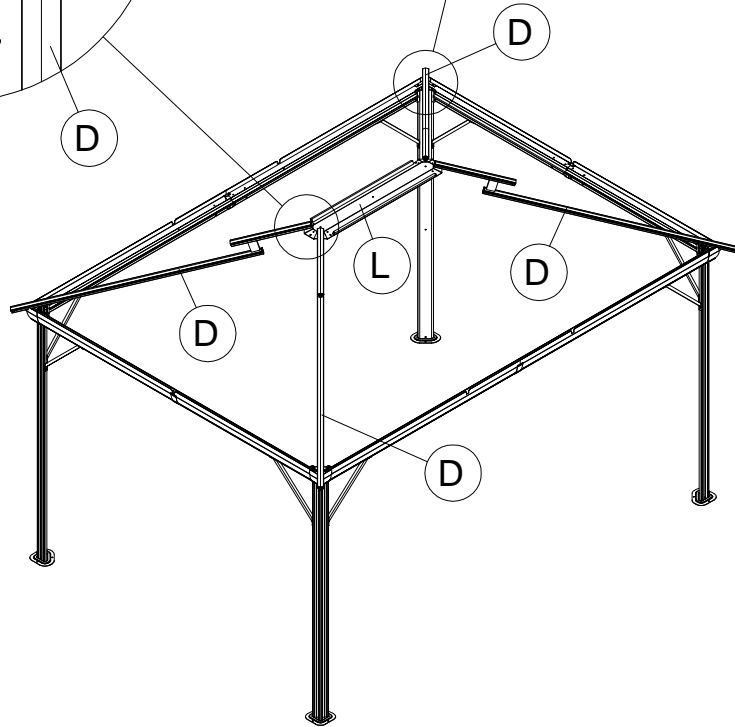
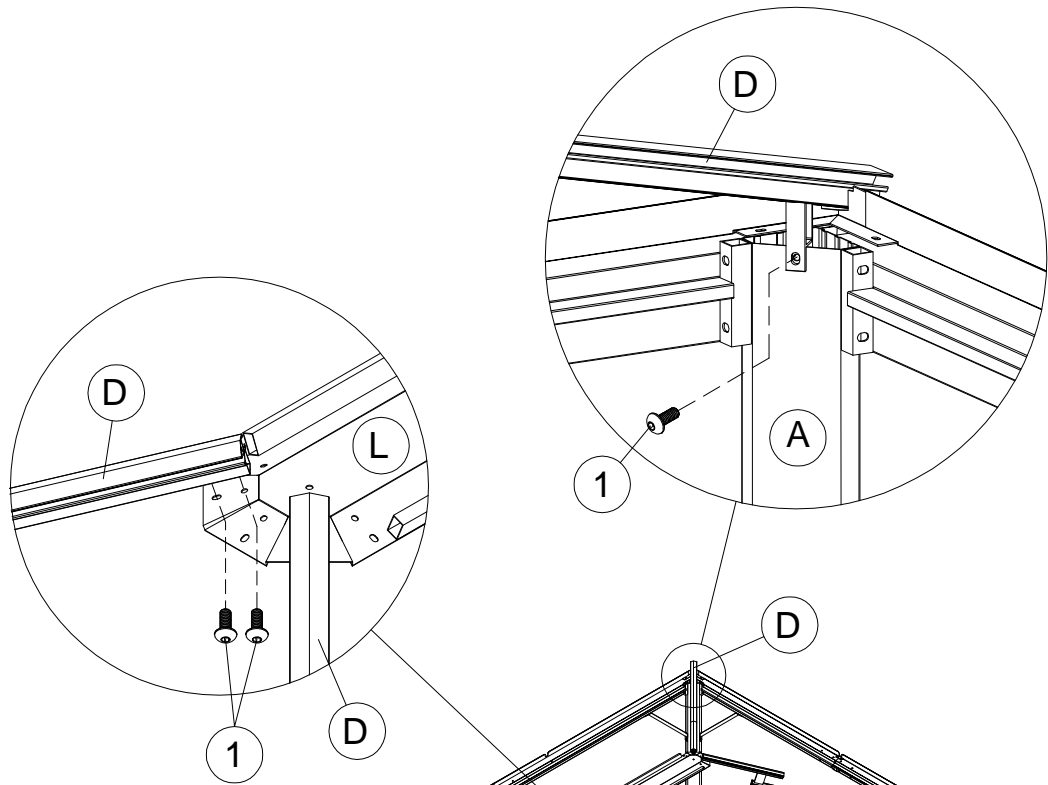
D 4x



L 1x



1 12x M6x15



Note:

1. Let one person stand on the ladder to lift " L " and hold, and let others fasten the screws connecting both ends of " D " .

2. Please do not let go of holding " L " until all the " D " screws are installed.

9

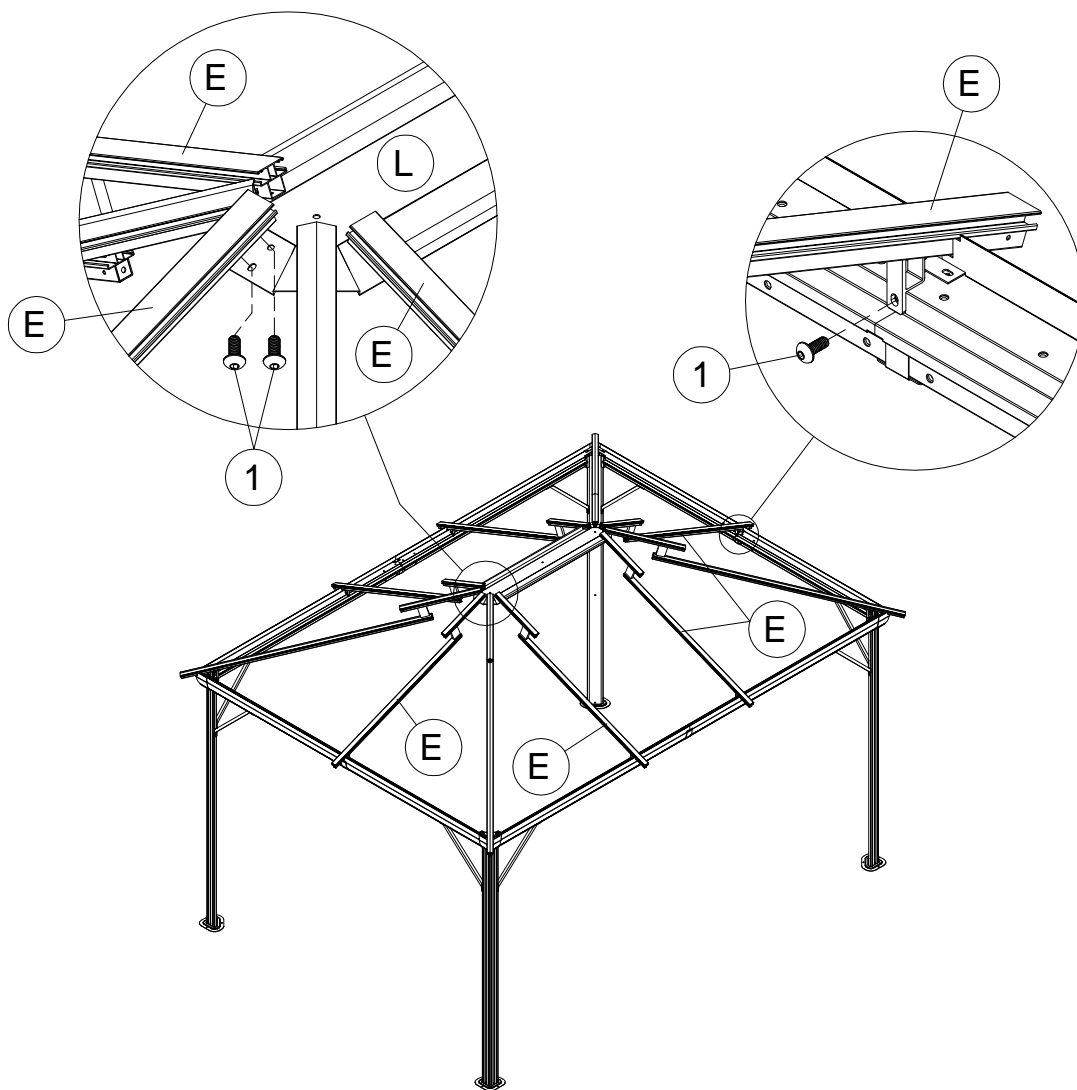


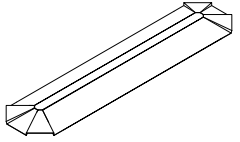
<8>

E 6x



M6x15
1 18x





(M) 1x

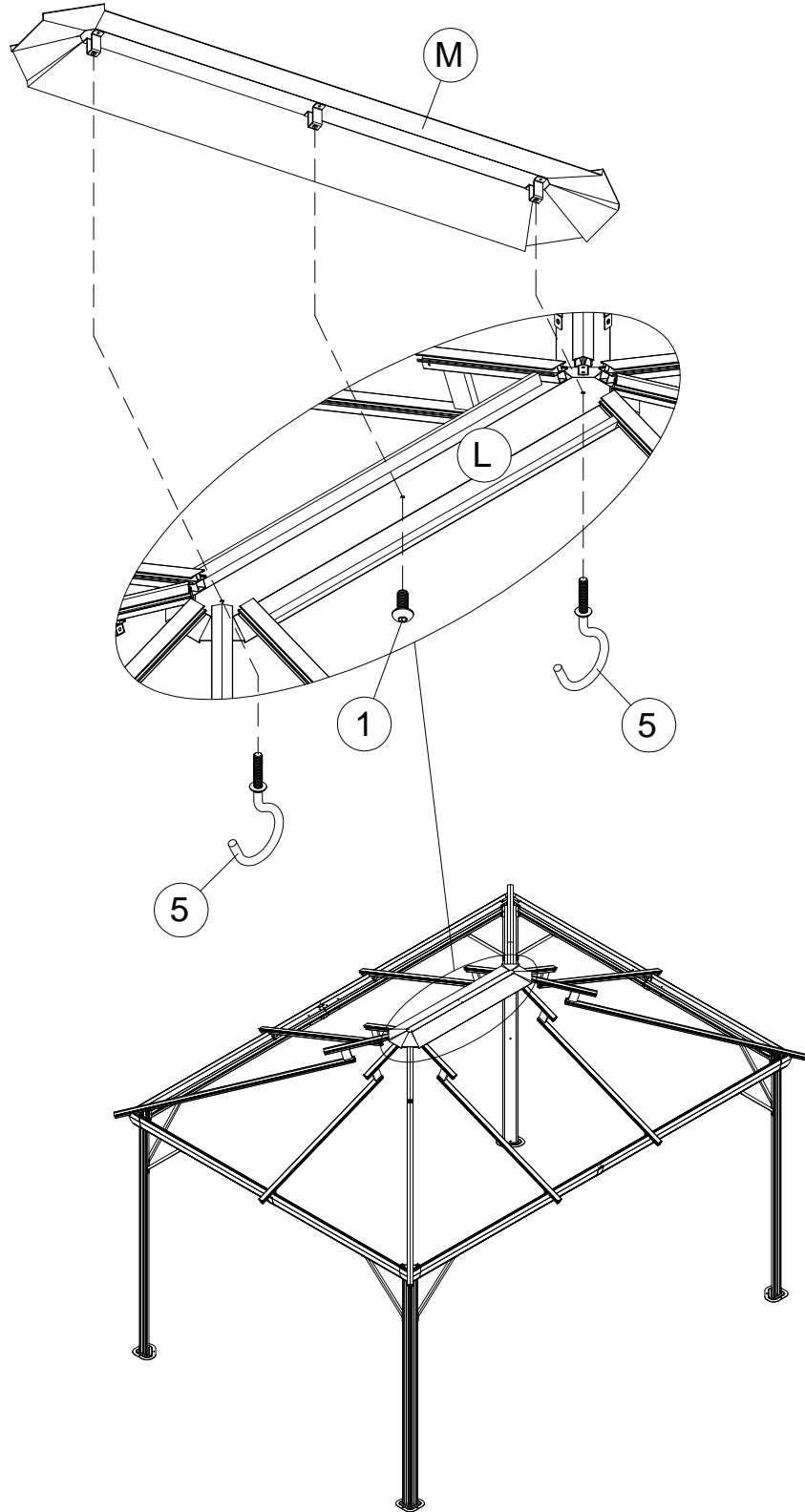


(1) 1x M6x15

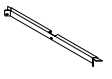


(5) 2x

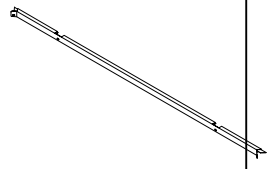
<9>



<10>



G5 2x



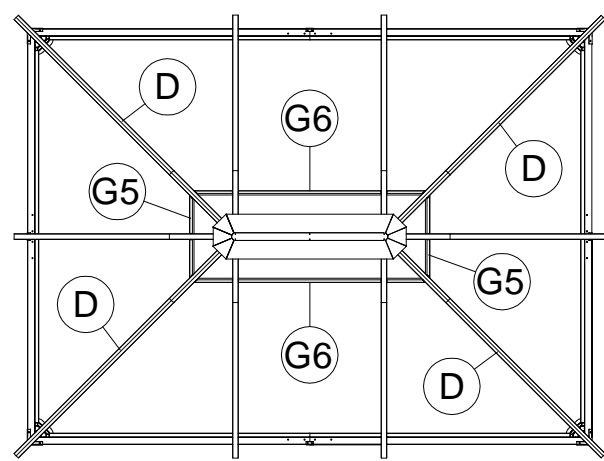
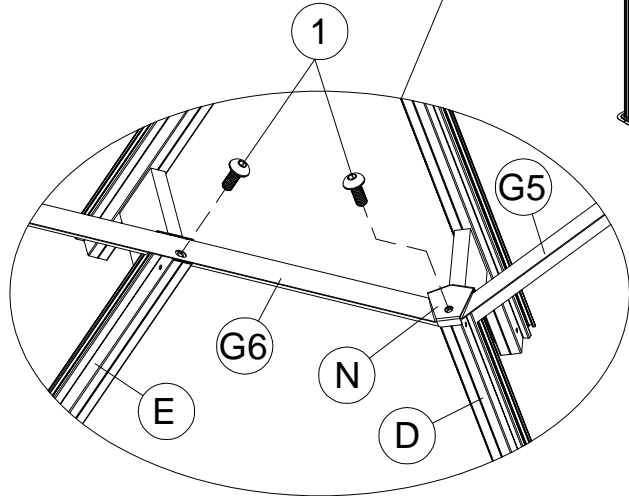
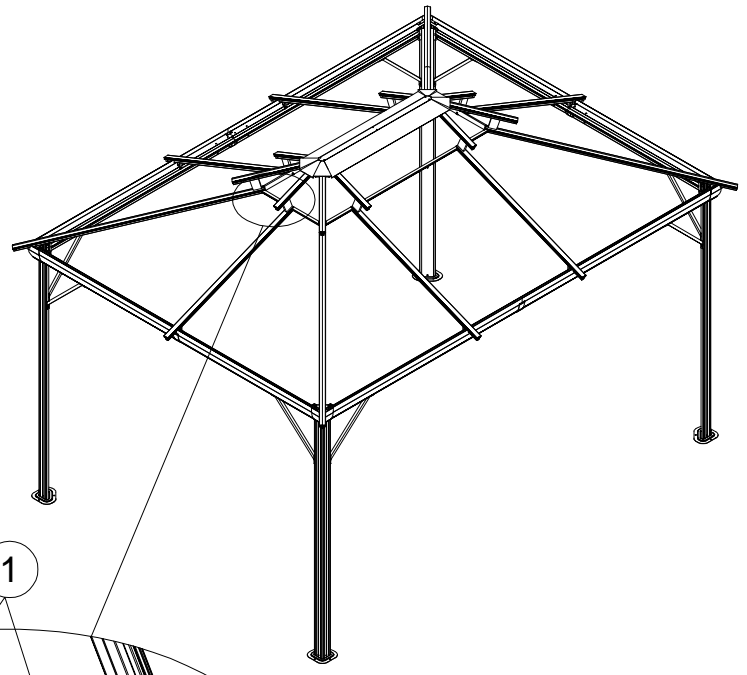
G6 2x



N 4x



1 10x M6x15



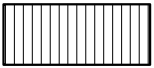


<11>

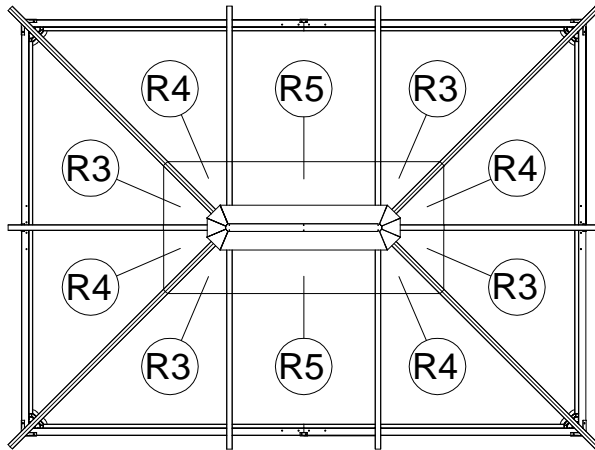
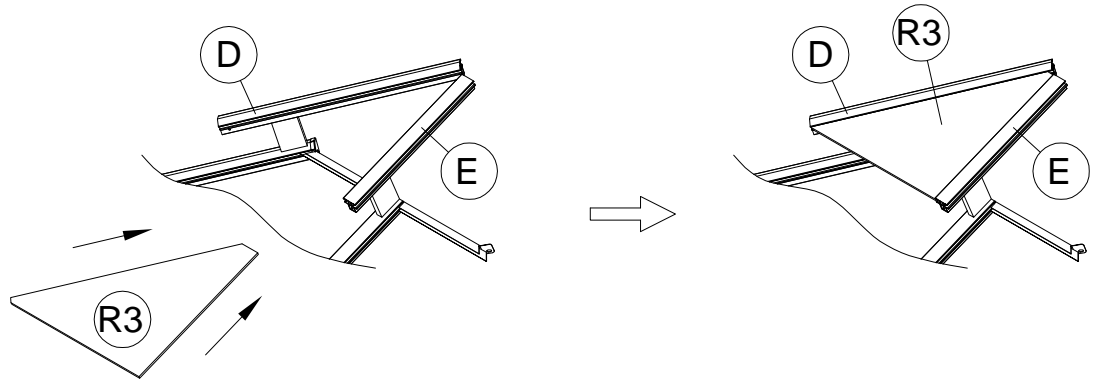
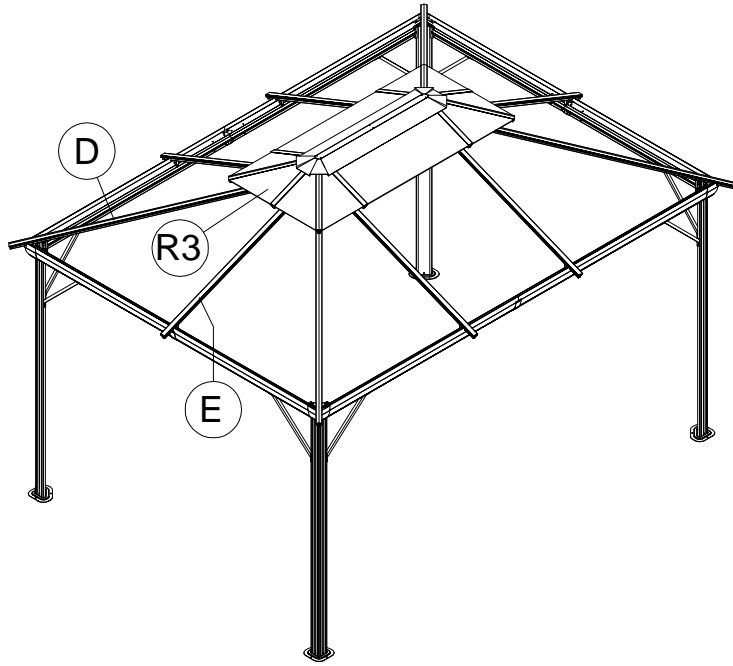
R3 4x



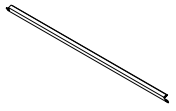
R4 4x



R5 2x



<12>



G 2x



G3 4x



G4 4x



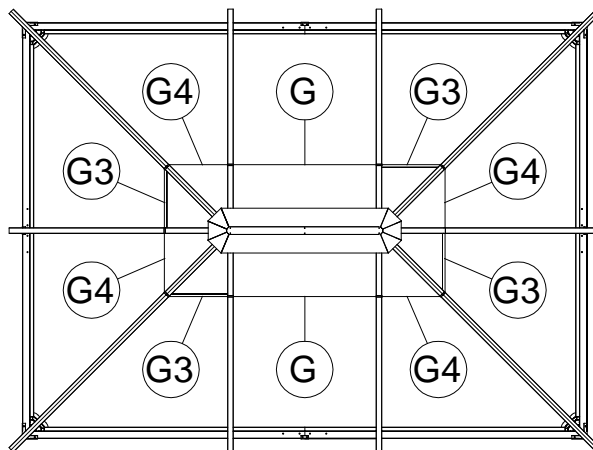
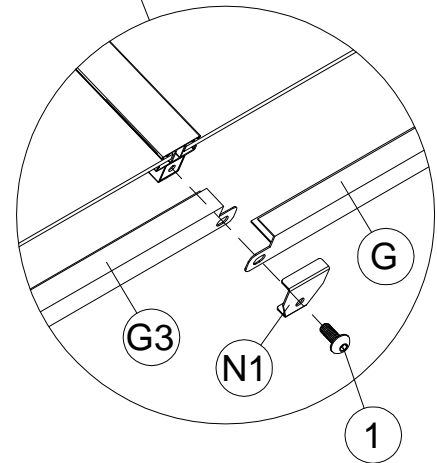
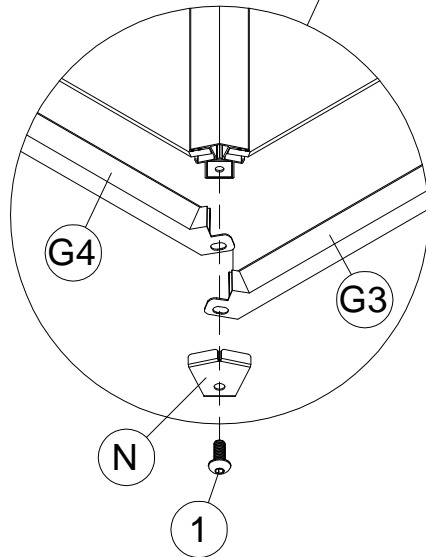
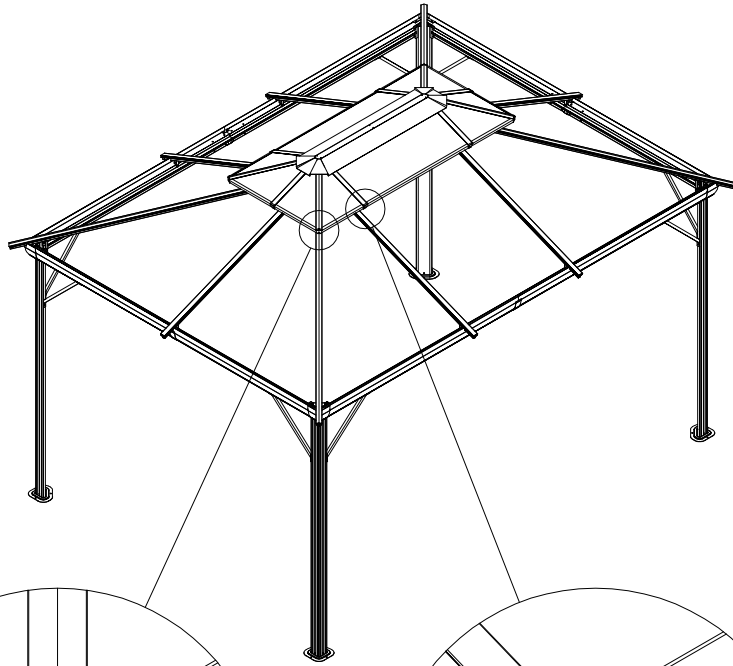
N 4x



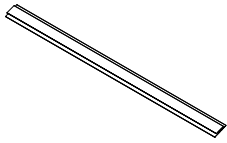
N1 6x



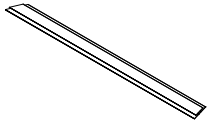
1 10x M6x15



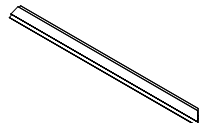
<13>



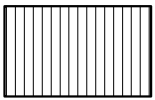
F 2x



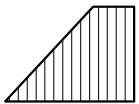
F1 4x



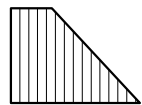
F2 4x



Q 2x

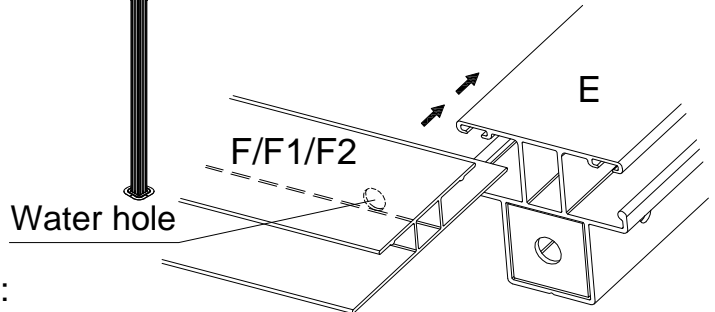
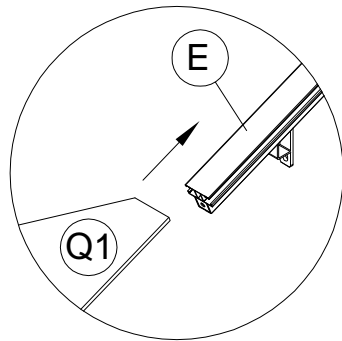
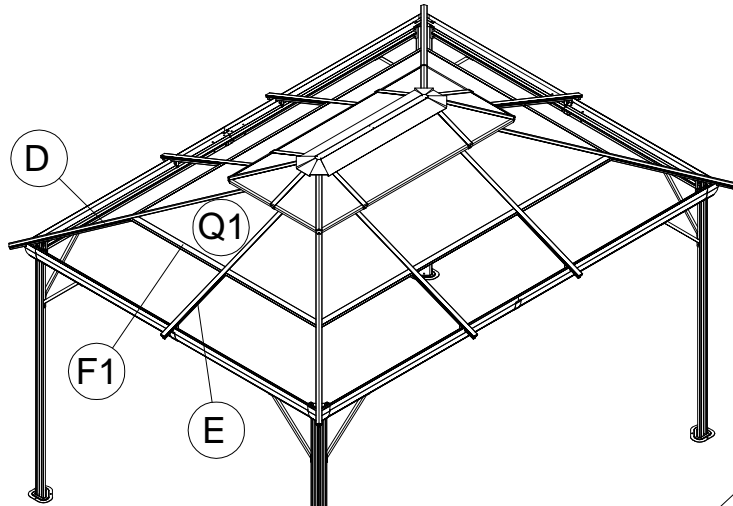


Q1 4x



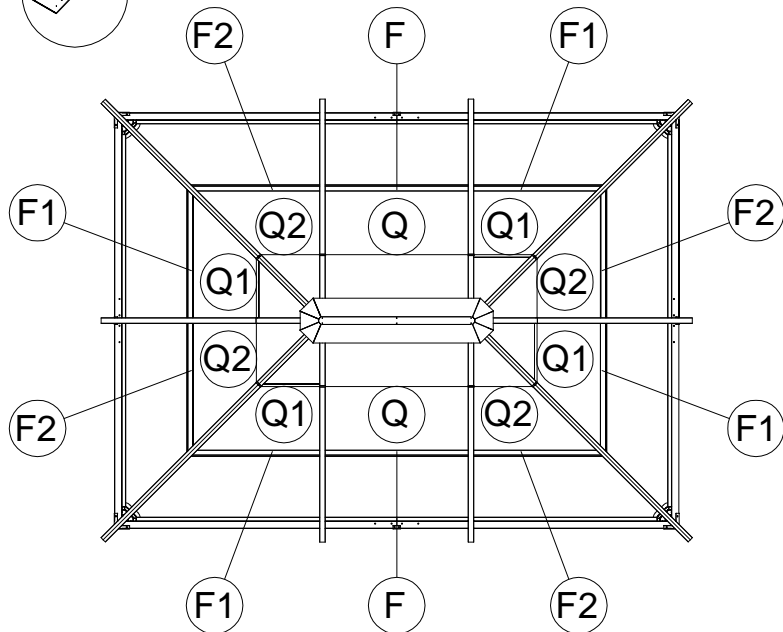
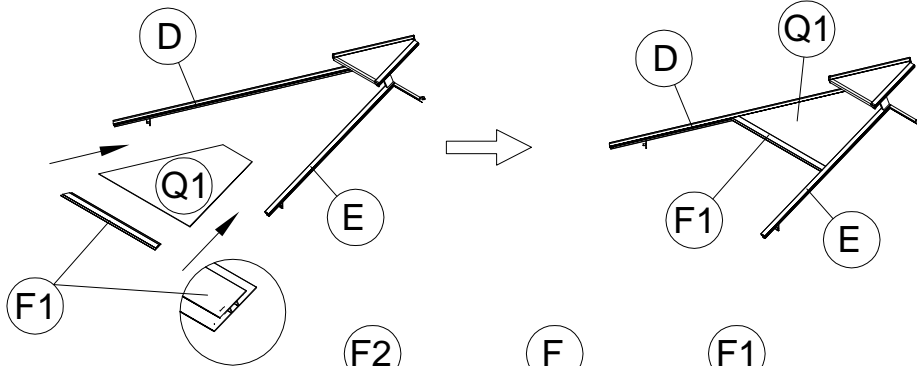
Q2 4x

15

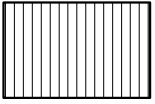


Note:

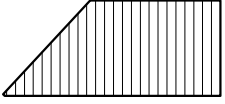
1. When F1 or F2 or F slide into the E, the wide side must be face down and narrow side face up, otherwise will cause water leaking
2. F or F1 or F2 the water holes inside of the tube must be face up. otherwise will cause water leaking



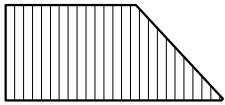
<14>



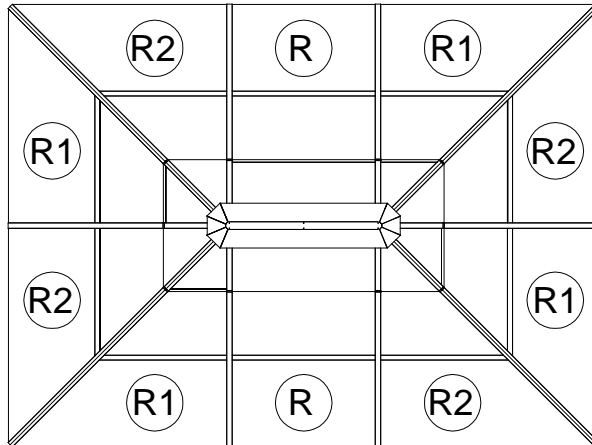
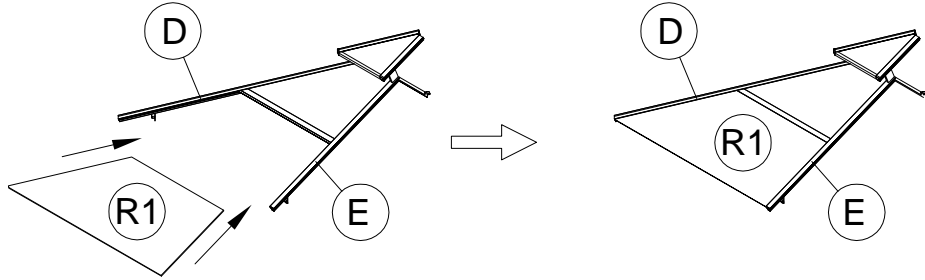
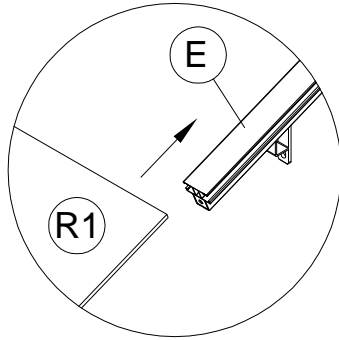
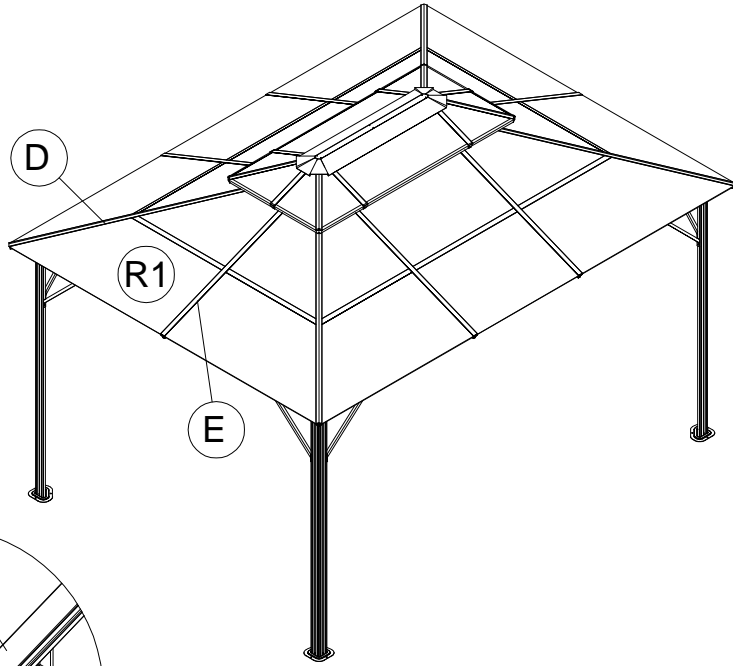
R 2x



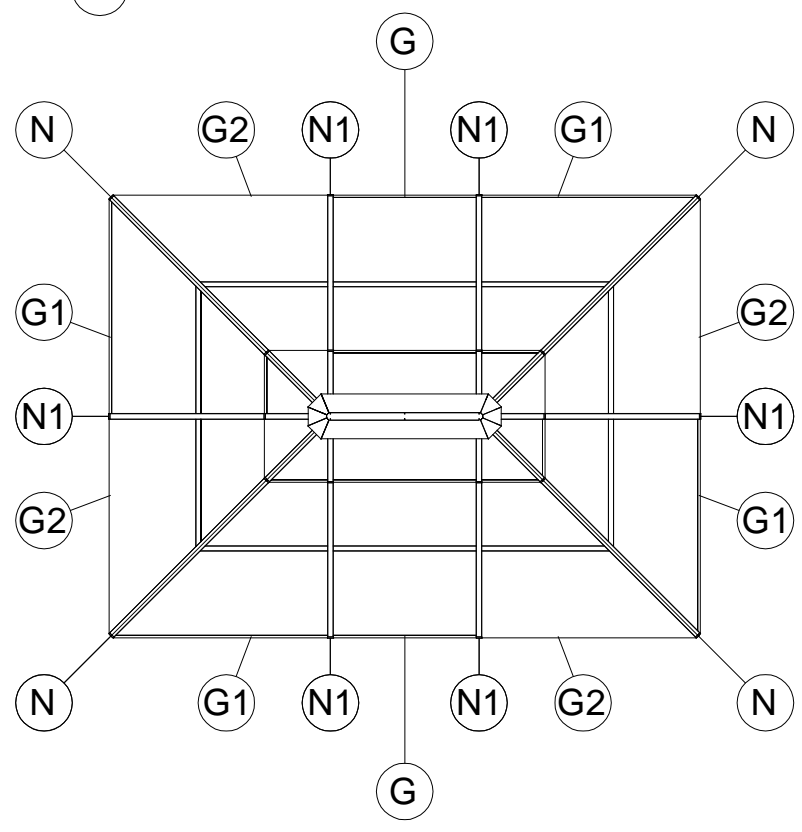
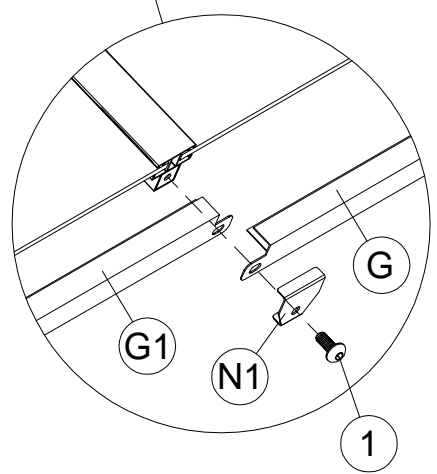
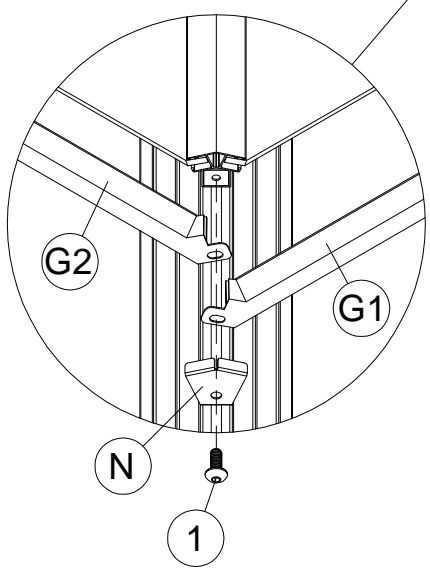
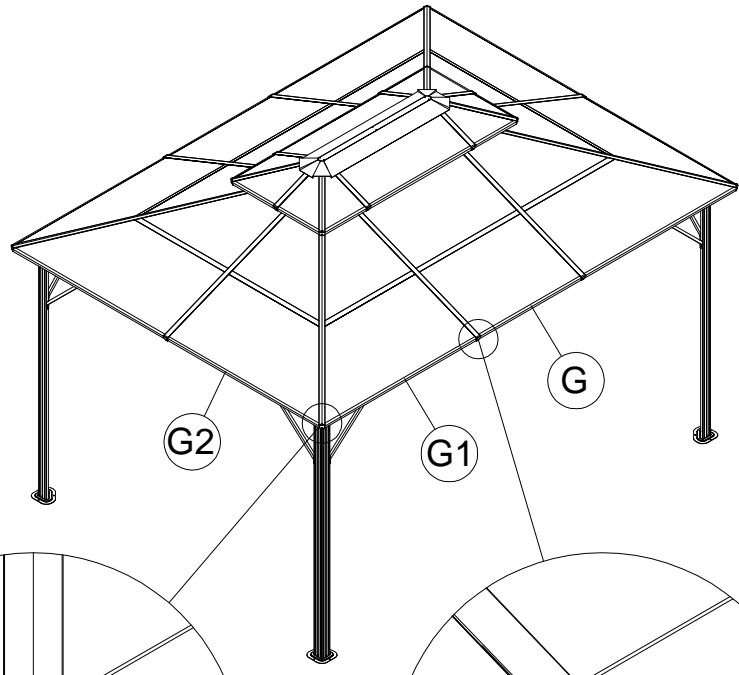
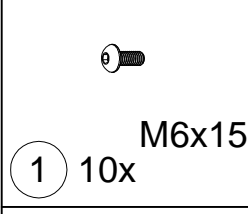
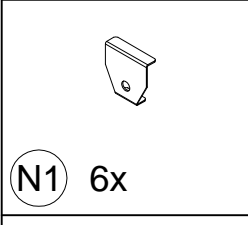
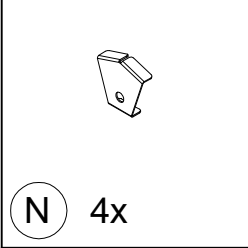
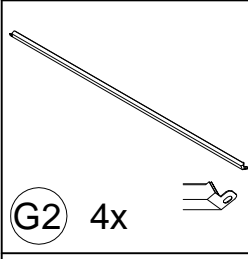
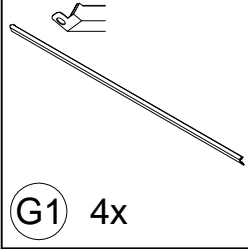
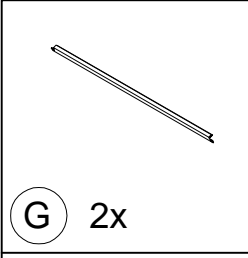
R1 4x

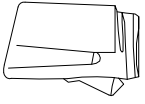


R2 4x



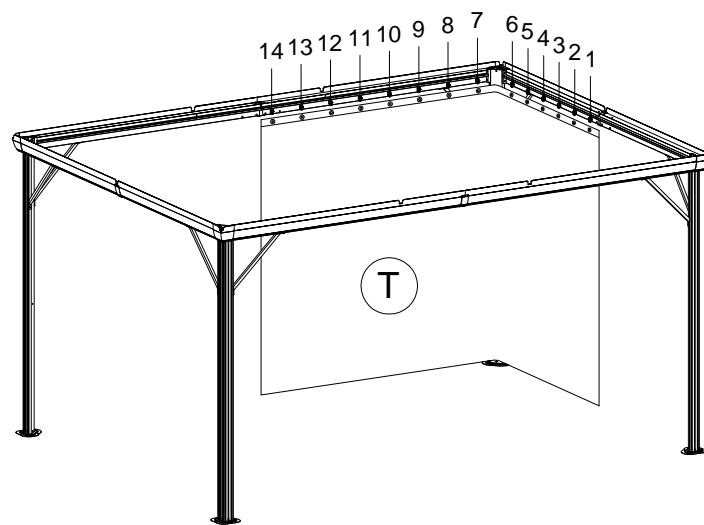
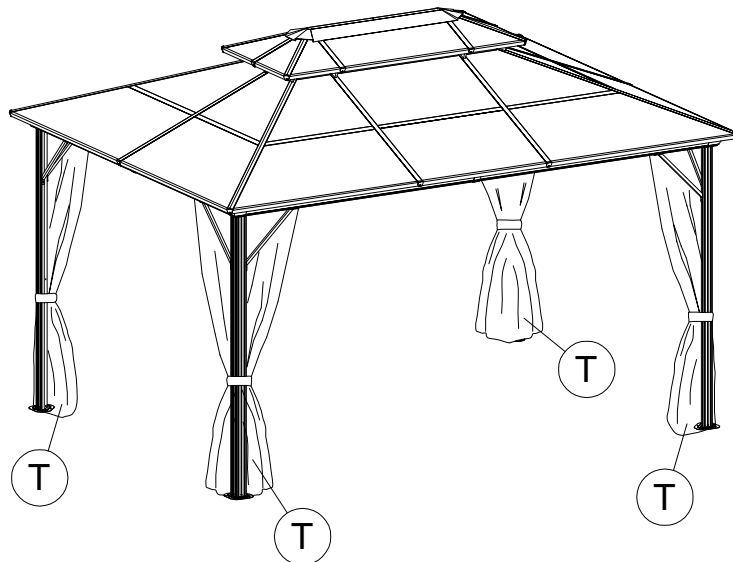
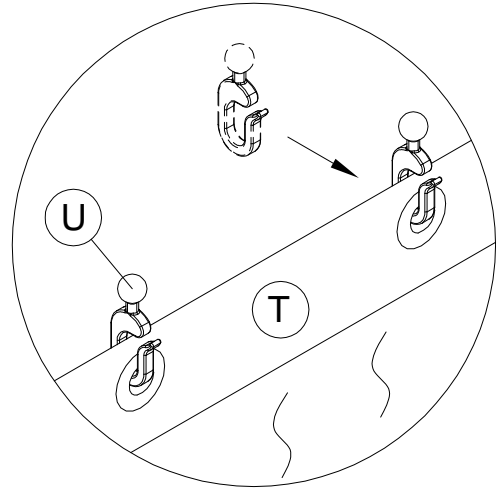
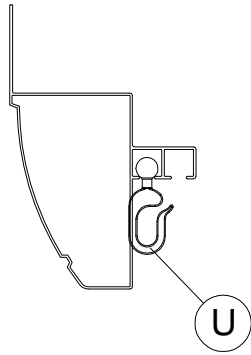
<15>

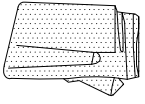




<16>

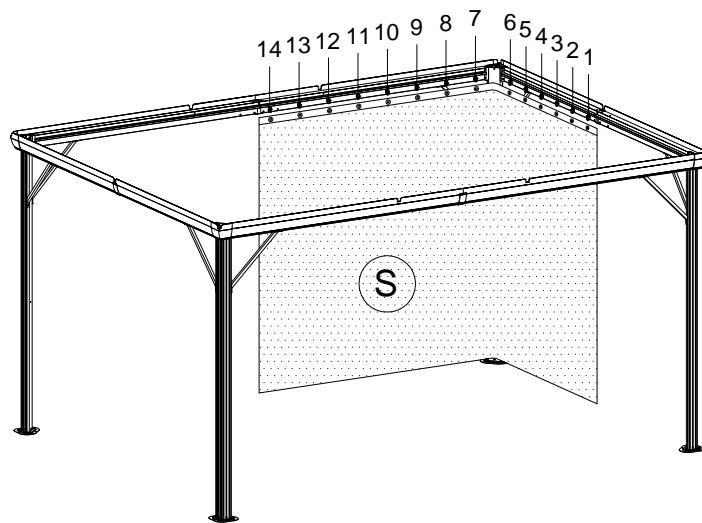
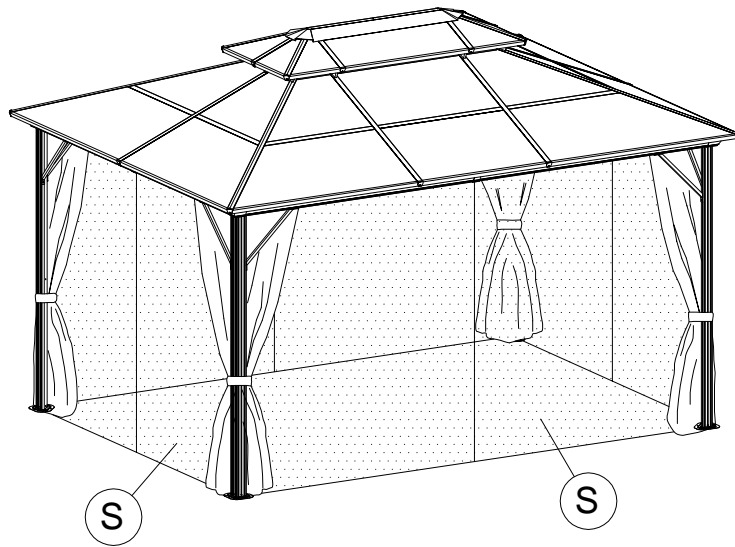
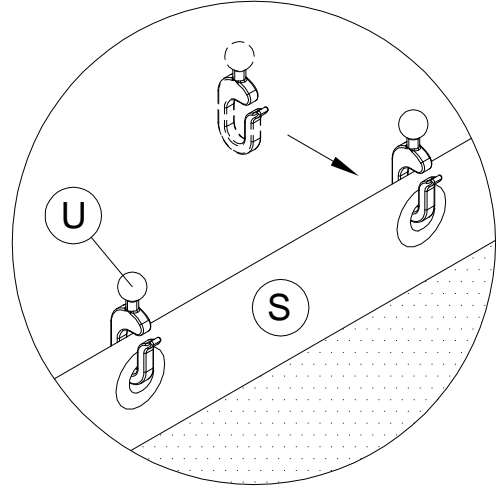
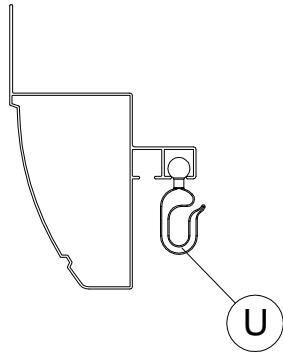
T 4x

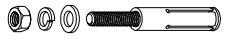




<17>

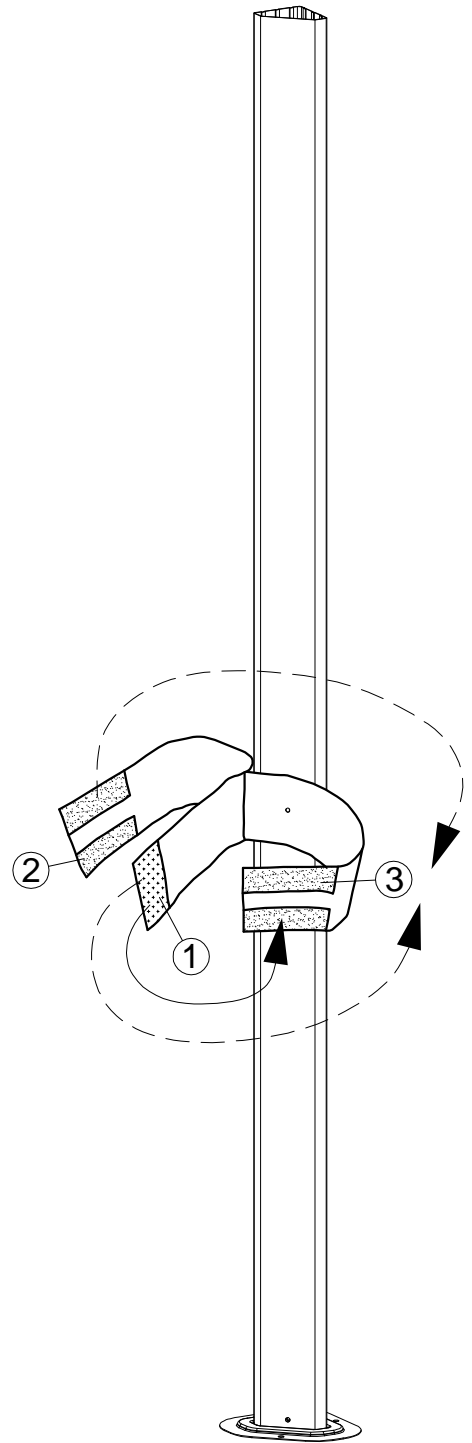
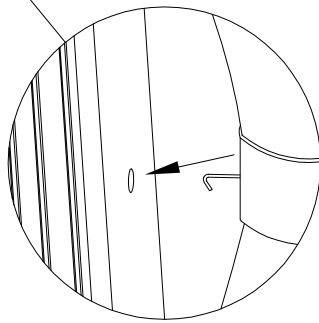
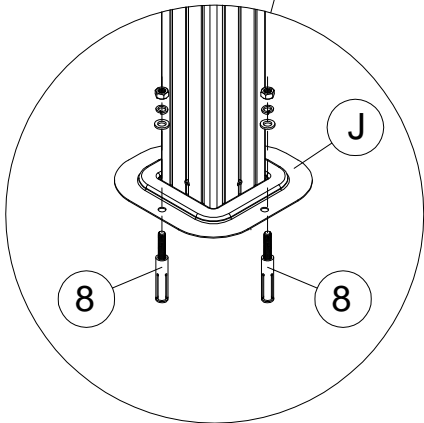
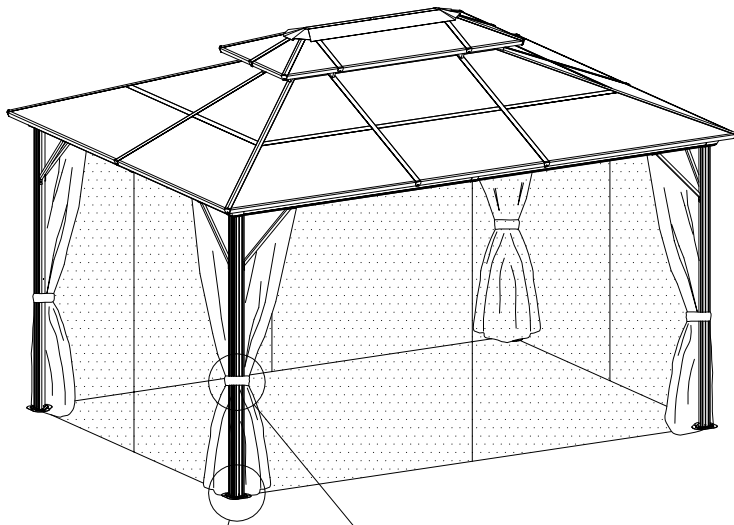
S 4x





<18>

8 12x



Note:

1. 1 stick 2 tie S and T together
2. 1 stick 3 towards back tie T
3. 1 stick 3 towards front tie S

20