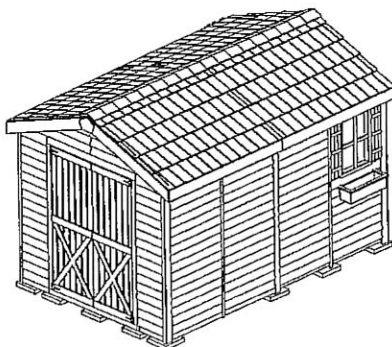
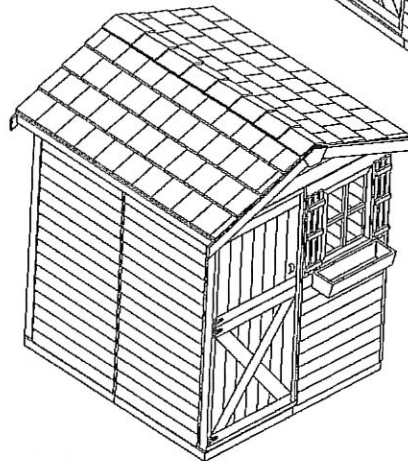
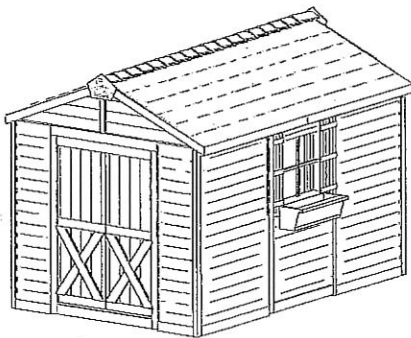
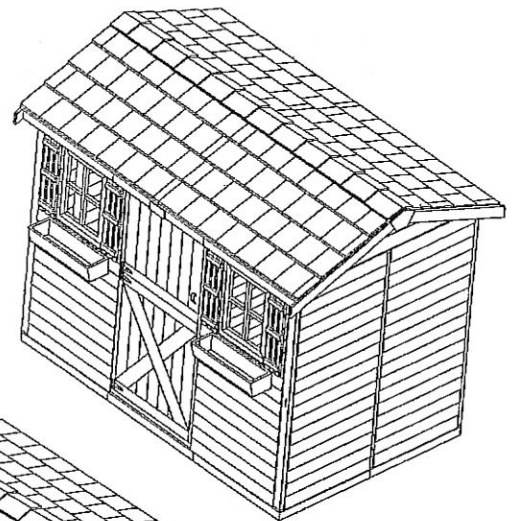
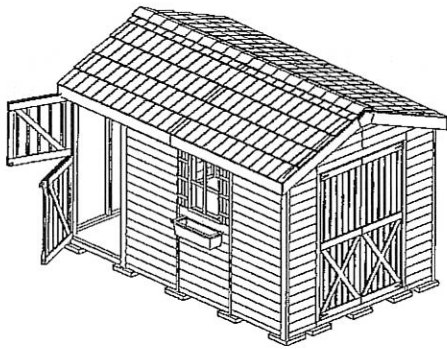


CEDARSHEED INDUSTRIES

HOW TO BUILD A PANELIZED GARDEN SHED

STANDARD INSTRUCTION MANUAL



CedarShed Industries
How to Build
Panelized Garden Sheds

CedarShed's line of premium garden sheds consists of sheds with standardized wall and door panels that allow for ease of installation and customization of window and door placements. There are three instruction manuals that come with each shed kit:

- (1) provides the standard instructions for all models,
- (2) provides the precut floor instructions for your particular size shed, and
- (3) provides the instructions for panels and parts that are specific to the particular shed model you have purchased.

Should you have any questions or comments regarding our products or our instruction manuals, please contact us by email at info@cedarshed.com or by phone at 1-800-830-8033.

TOOLS REQUIRED

Garden tools for foundation and leveling of building site.
Power drill & drill bits (1/16" drill bit)
Stapler (use to secure insect screening and roofing felt).
8 ft step ladders (2)
3 ft carpenter's level
Hammer
Tape measure
Pencil
Crowbar

ADDITIONAL MATERIALS REQUIRED

Foundation or concrete patio stones

ASSISTANCE REQUIRED

A minimum of two people will be required to construct the building.
A third person will be helpful when working on the roof structure.

SAFETY POINTS AND OTHER CONSIDERATIONS

As a proud owner of a CedarShed product, we want you to safely enjoy it for many years to come. Our products are built for use based on proper installation on level ground and normal residential use. Please follow the Assembly Manuals when building the structure and keep these manuals for future reference.

When using power tools, ladders or any other tool, observe all safety precautions recommended by the manufacturer. Always use appropriate safety equipment, such as gloves, hearing and eye protection.

Customers agree to hold Cedarshed Industries (1992) Inc. and any Authorized Dealer free of any liability for improper installation, maintenance and repair of any Cedarshed product.

Some safety tips to consider include:

1. Roof snow load rating varies by geographical location. If a heavy or wet snowfall occurs, it is advisable to clear the snow off the roof.
2. If the structure is elevated above ground, local building code requirements are solely the owners responsibility and should be abided by.
3. In high or gusty wind conditions it is advisable not to use the structure and it may be advisable to keep the structure securely grounded.
4. Have a regular maintenance plan to ensure floors, walls, doors, windows, roofing members etc. are secure and ready from adverse weather conditions.
5. In some geographical regions, our products are not rated for human occupancy. Please check with local authorities if this is the intended use of our products.
6. It is important to first properly prepare and level the foundation to ensure the proper construction of CedarShed products. Please review the information in the assembly instruction manuals or our website, or alternatively, consult with a professional with knowledge on properly preparing a foundation.

Local conditions, personal construction abilities and other factors may effect the construction of any CedarShed product, so it is possible that your experience may differ from those presented in this manual, in our catalogues or on our websites.

Our customers love telling us their CedarShed stories and we are proud the hear them. Whether your story tells us of a satisfying experience (“pat on our backs”) and of a frustrating experience (we need to know to correct our mistakes), we want to hear them all. So please take a moment to tell us your story. Who knows, your story may be featured on our website or in our next catalogue.

Please visit our website at www.cedarshed.com for additional safety tips and other considerations to promote safe and enjoyable usage of your CedarShed product for years to come.

MODEL SPECIFIC INSTRUCTIONS

Be sure to read the model specific manual enclosed. This manual will highlight the panels and parts included to complete your specific shed model.

USE OF OUTDOOR RATED WOOD ADHESIVE

To add additional structural integrity to your CedarShed structure, a good outdoor rated wood adhesive can be used where panels and parts are joined together. This would include the following locations:

GARDEN SHEDS

floor panels (plywood) to joist
wall panels to floor structure
header to wall panels
wall panels to wall panels
top plates to wall panels
gable panels to wall panels
roof panels to gable panels
roof panels to top plates
gussets to rafters

GAZEBOS

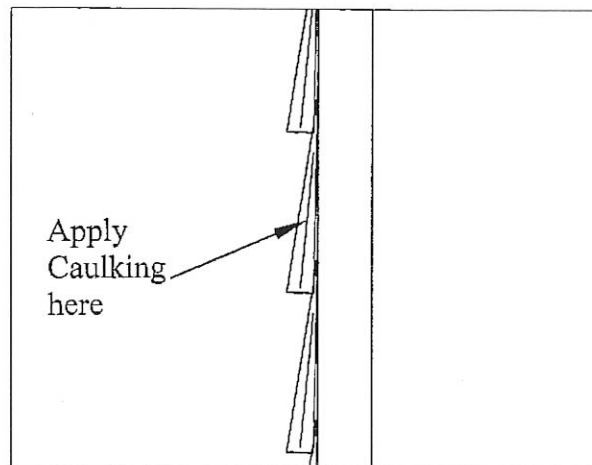
joist parts to joist parts
deck boards to joist
balusters to rail fillets
rail fillets to rails
rails to posts
post to post
header to posts
rafters to headers
rafter parts to rafter parts
roof sheathing to rafters
roof panels to rafters

PLEASE NOTE: If you plan on disassembling your CedarShed structure at a later date then an adhesive would not be recommended.

USE OF OUTDOOR RATED LATEX CAULKING

During periods of heavy rain, water may weep into your CedarShed structure through the walls. To help prevent this from happening, a good quality latex caulking applied on the edge of the siding before affixing the trim boards is recommended. Please see the diagram below for details.

EDGE OF WALL PANEL
CROSS SECTIONAL VIEW



WHAT TO DO WHEN THE SNOW BEGINS THE FALL ON YOUR CEDAR STRUCTURE

When the snow begins to fall there are a few precautions you should take to insure your CedarShed remains intact for you to enjoy next Spring.

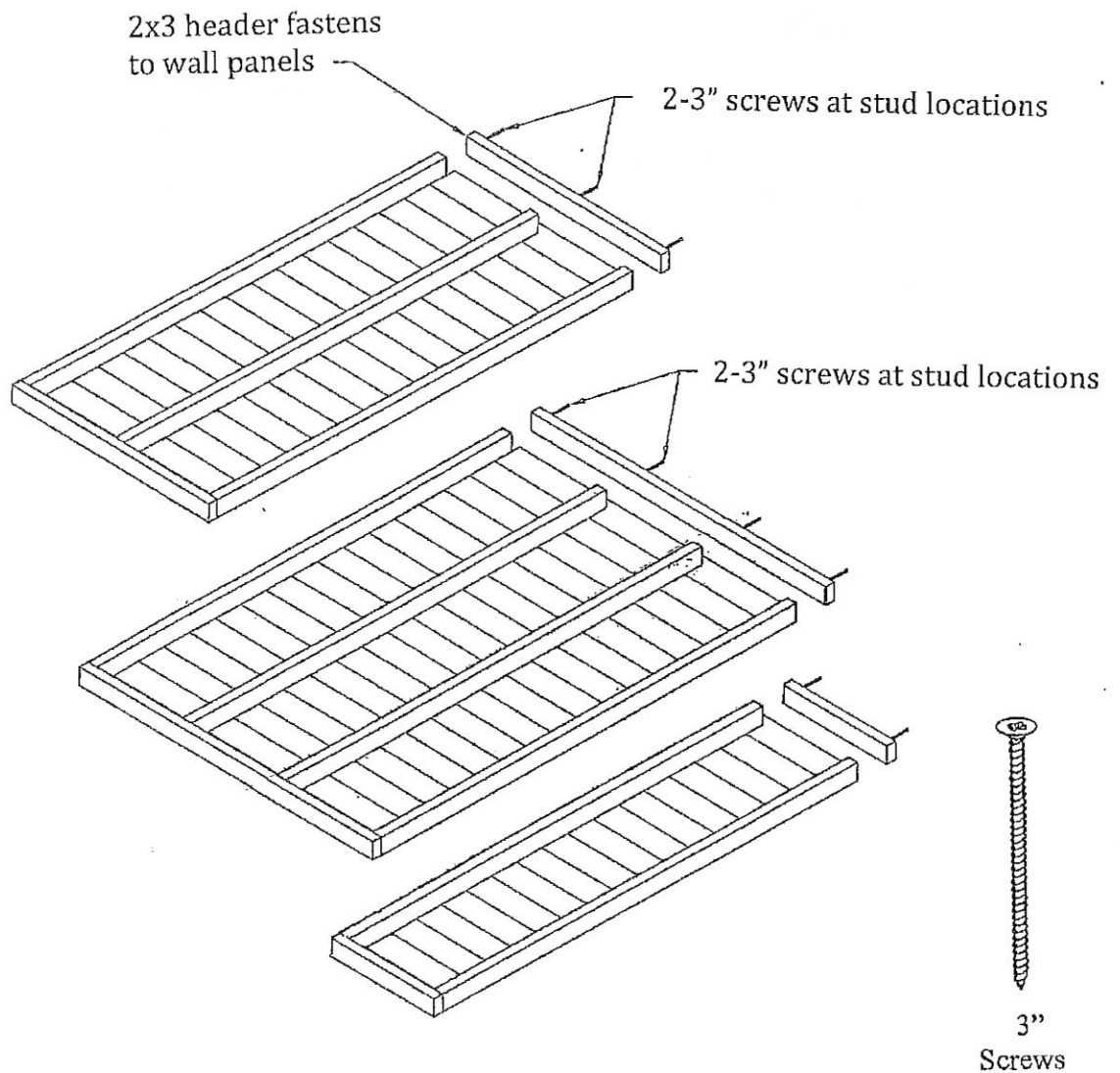
What to do if your CedarShed is in a remote location. An example would be a summer cottage by a lake. In these cases, you will not be there to sweep excessive snow off the roof. It is best to add posts to the interior of your shed or gazebo. Refer to Fig. SN-01 below for details on how to do this. Please contact us if you need any materials or help.

What to do if you do not want to add additional support. If you do not want to add the additional posts in the interior, then you should be diligent in sweeping any excessive snow off the roof. This can easily be done with a broom and a ladder. Please take all precautions when using a ladder. Do not climb on the roof.

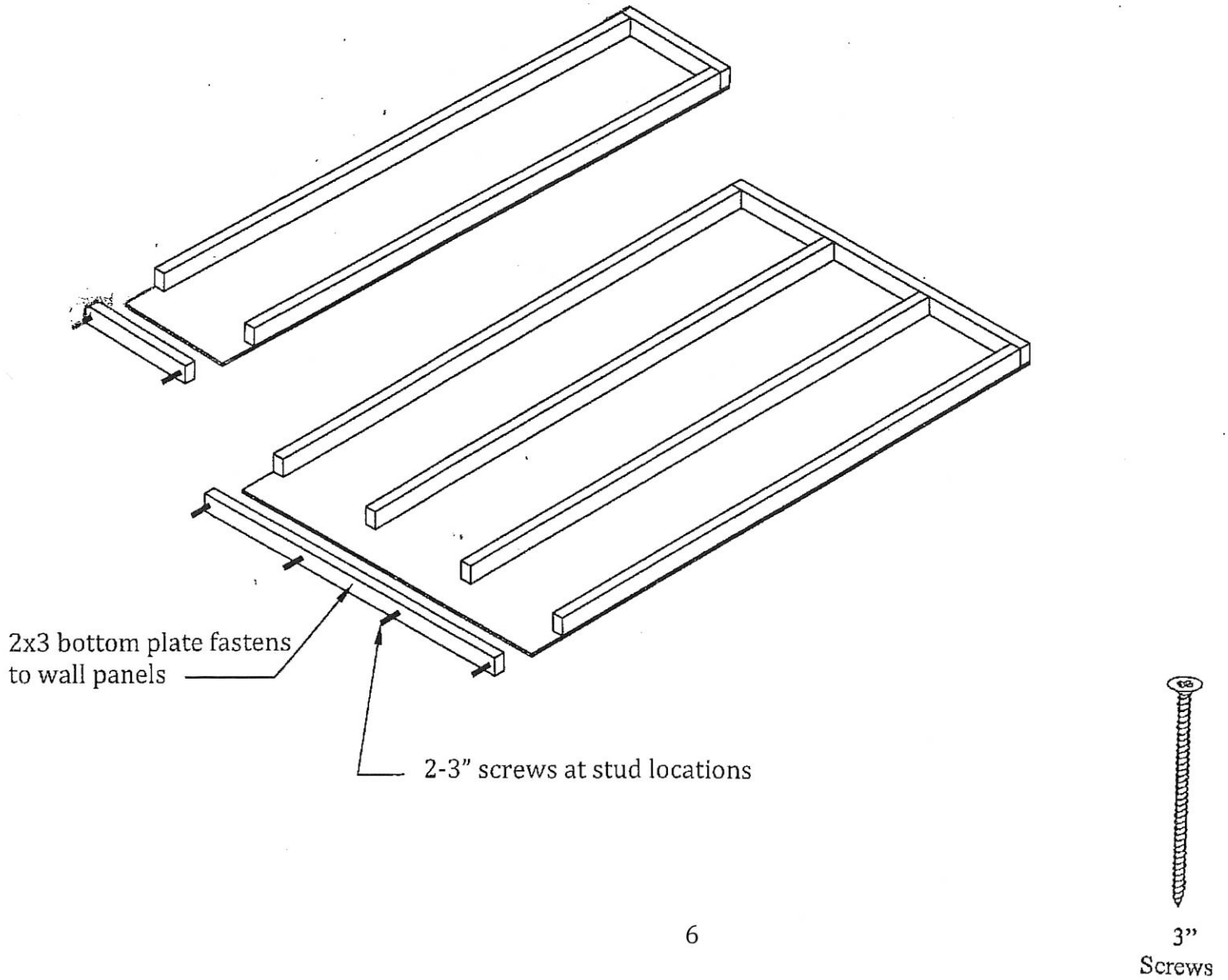
INSTALLING HEADERS TO WALL PANELS

The blank walls panels come with the headers removed. Taking 2-3" screws, attach the headers to the top of each of the studs as shown below.

Please note some models such as the RBB812 and RBB816, the bottom plate instead of the header being left off. Please refer to the following page for details.



INSTALLING BOTTOM PLATES TO WALL PANELS

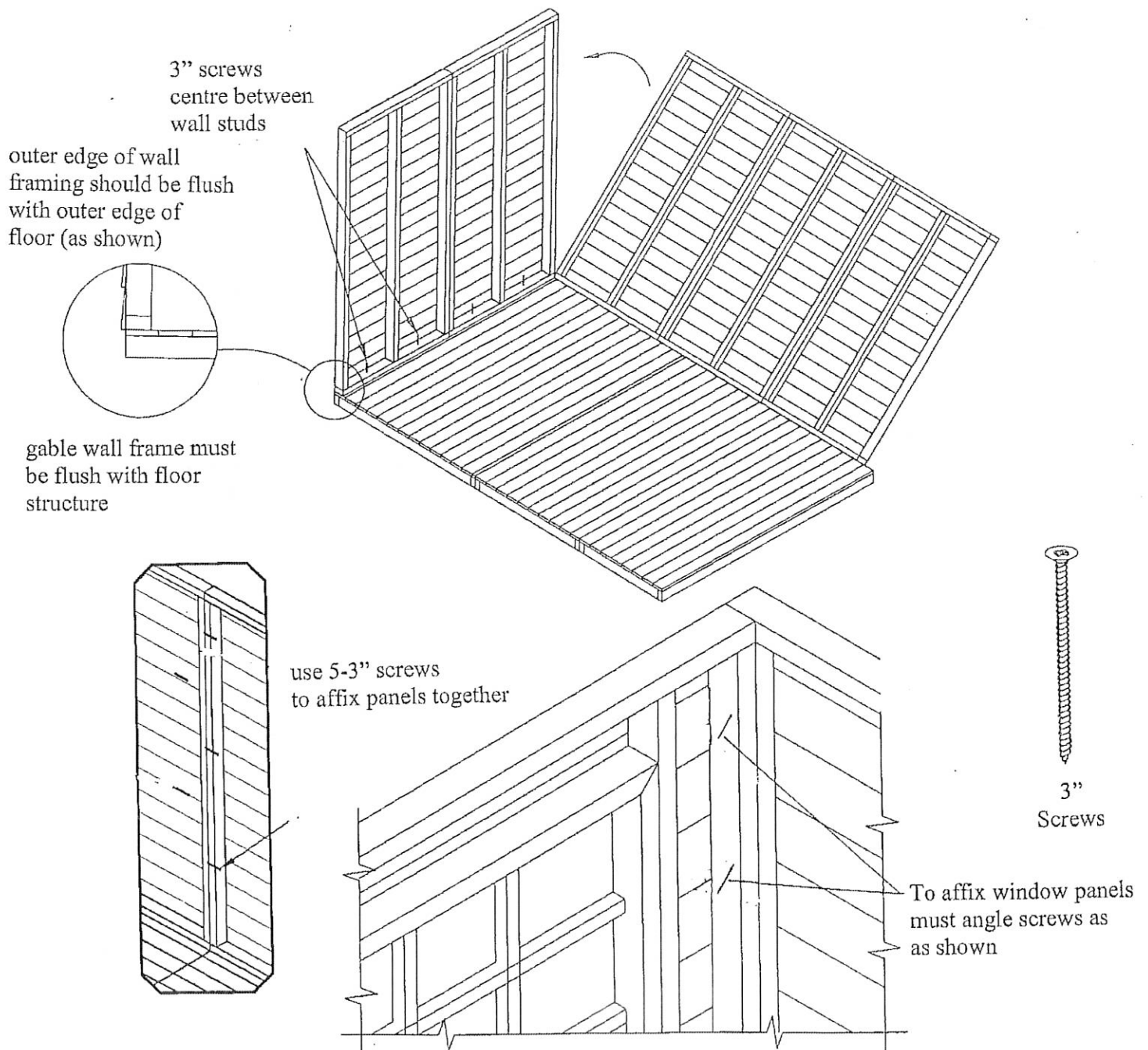


MOUNTING THE WALLS ON TO THE FLOOR STRUCTURE

The wall panels that make up the gable end of the building should be the first panels to be affixed to the floor structure. The panels that make up the gable wall elevation will be flush to the two outside edges of the floor structure.

The ridge wall panels will be sandwiched between the gable walls.

PLEASE NOTE: In the square sheds (6x6, 8x8, and 10x10), the gable walls will be affixed to the narrower side of the floor structure (69" for 6 ft wide, 93" for 8 ft wide, and 115.5" for 10 ft wide).

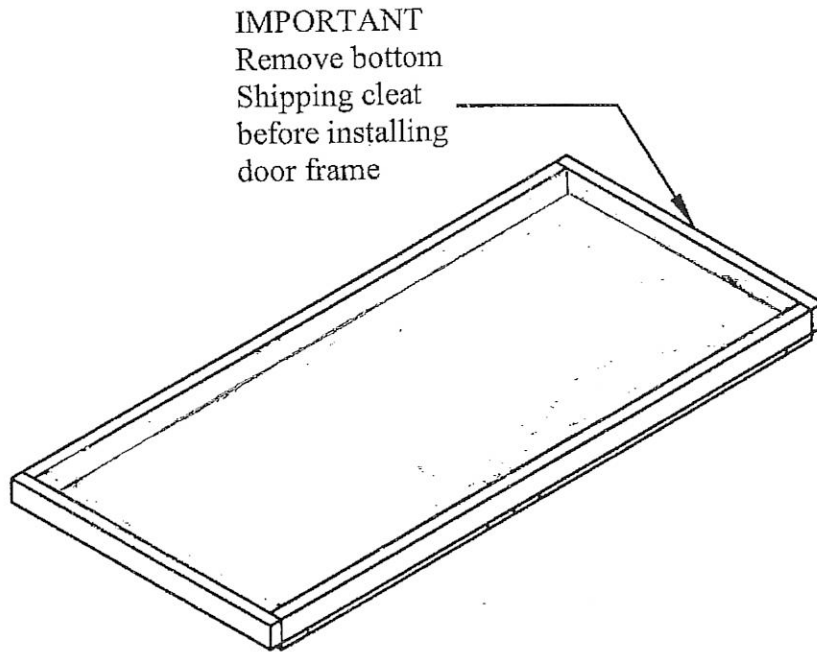


INSTALLING DOOR FRAMES

Before installing the door frame for either the Dutch door or the solid cedar door on your model, please be sure to remove the bottom door cleat.

This cleat can be discarded as it is only used to hold the door frame together during shipping.

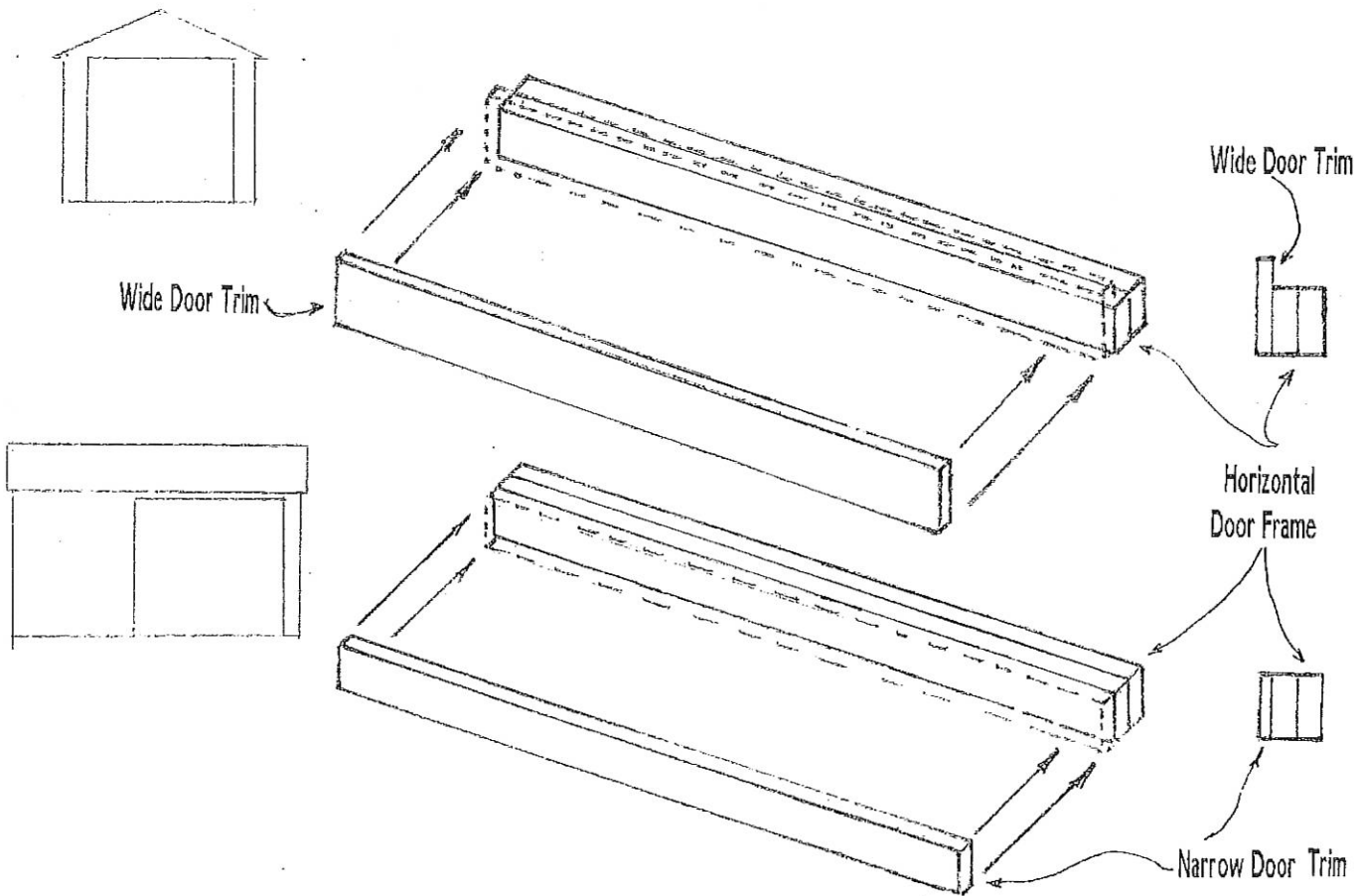
Affix the door frame into the desired location and affix to adjacent panels.



Mounting the Trim to the Horizontal Door Frame

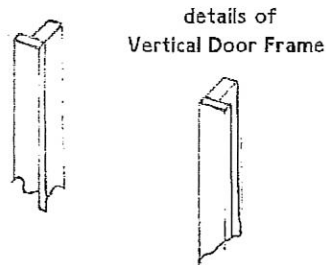
There are two door trim pieces that can be used depending on whether the door is to be installed on the Ridge side of the shed or the Gable side.

When the door is being installed on the Gable side, you will need to use the wide door trim piece. While if the door is being installed on the Ridge side then a narrow door trim is to be used. Please refer to the Figure below for details.

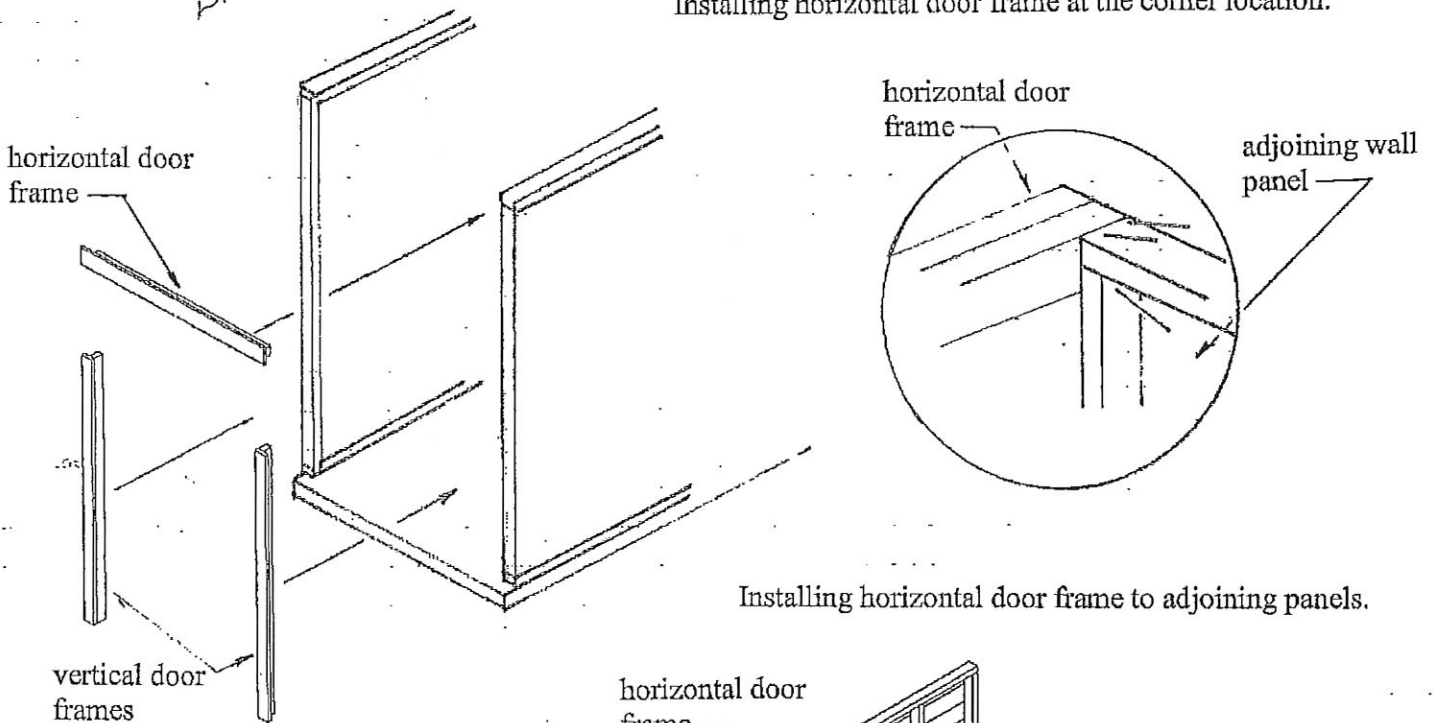


Double Door:

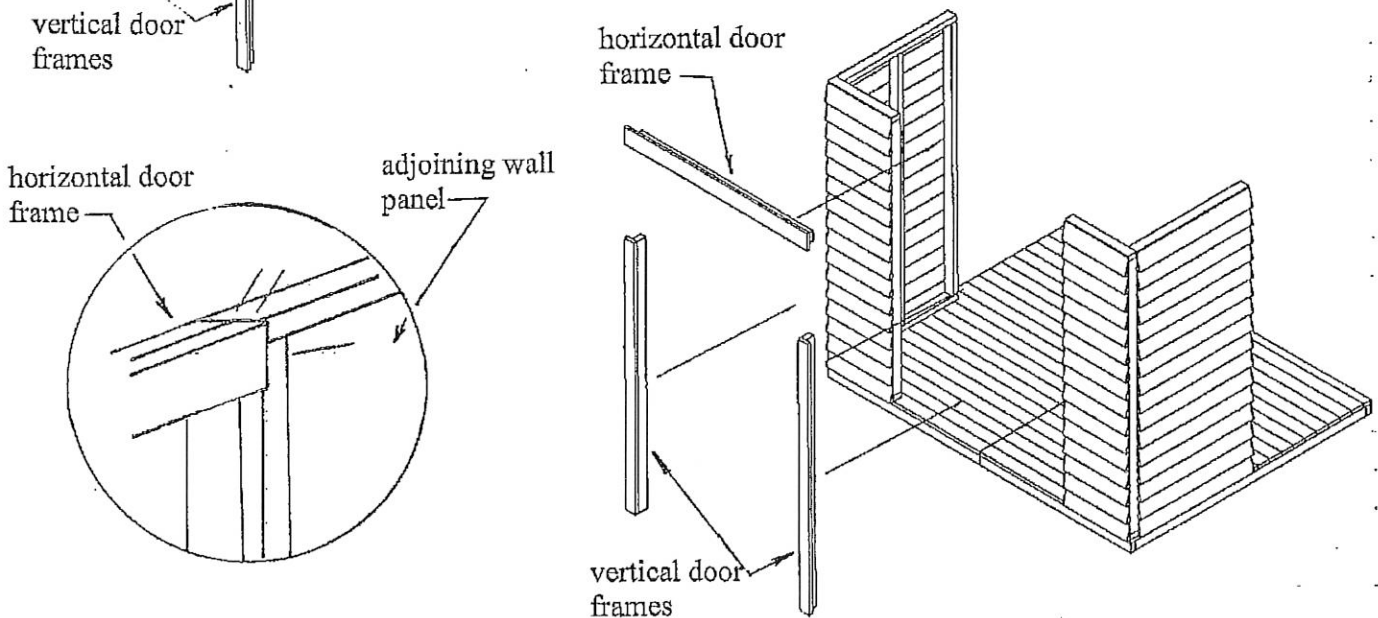
To install the double door attach the two vertical door frames onto the adjacent panels. Then drop the horizontal (top) door frame piece into place. Affix the horizontal door frame into place by placing a screw through the adjacent wall panel and by toenailing from the top of the adjacent panel into the horizontal door frame



Installing horizontal door frame at the corner location.



Installing horizontal door frame to adjoining panels.



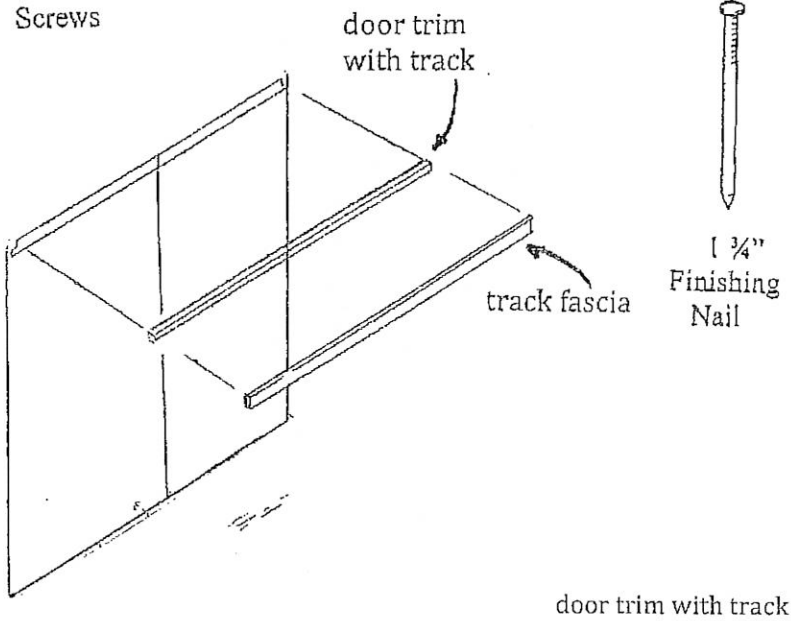
Note: The installation of the double door frame parts on a 6 ft wide shed is the same as for an 8 ft wide shed. The Only addition is the two narrow wall panels which are used in an 8 ft model.

INSTALLATION OF SLIDING DOOR OPTION

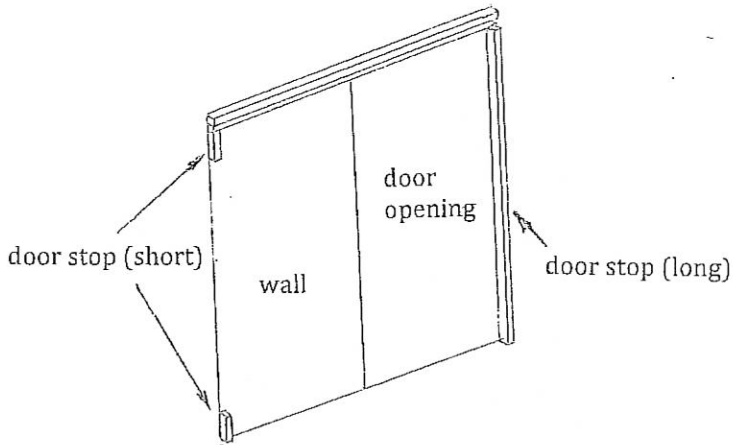
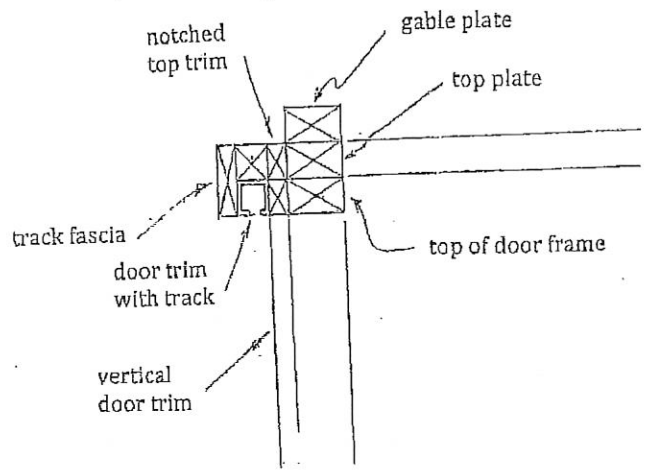
Install the door trim with track over top of the door opening first by using 5-3" screws. First adjust the wheels so the door will hang square when it is slid onto the track. Now slide door onto the track. If the door does not run true to the wall then an adjustment needs to be made to the wheels or the shed needs to be checked for level. Once the door runs true to the wall then attach the door stops using 5-3" screws to mount the long and 2 - 3" screws each to mount the short door stop pieces. Then mount the track fascia by using 6 - 1 3/4" nails.. Refer to figures below for details.



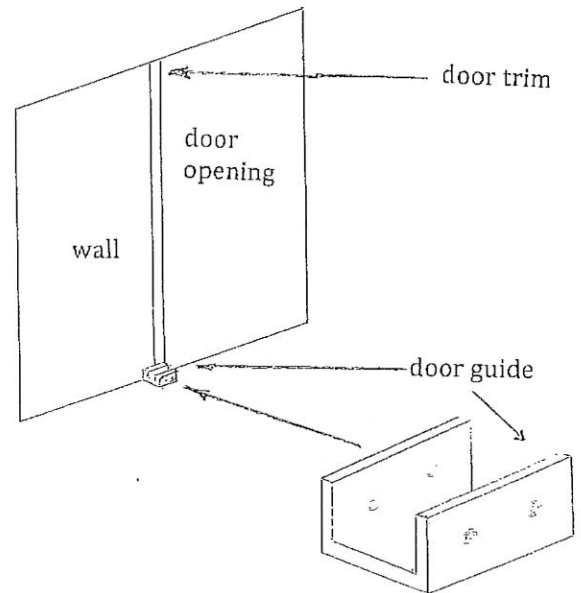
3" Screws



CLOSE UP DETAILS OF SLIDING DOOR TRACK INSTALLATION (SIDE VIEW)



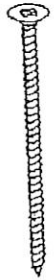
DOOR STOP INSTALLATION
sliding door and other wall details have been removed to show more detail.



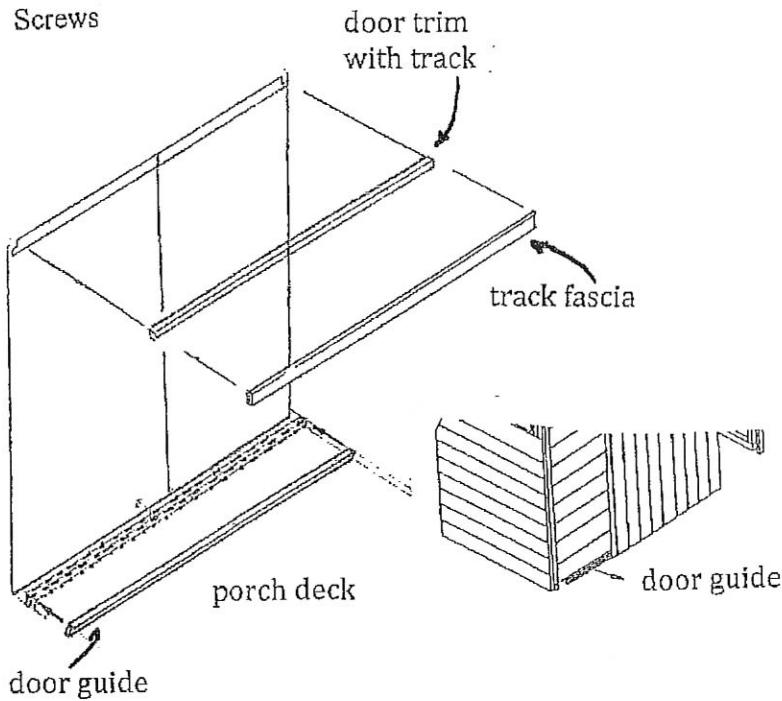
DOOR GUIDE INSTALLATION
sliding door and other wall details have been removed to show more detail.

INSTALLATION OF SLIDING DOOR OPTION ON PORCH

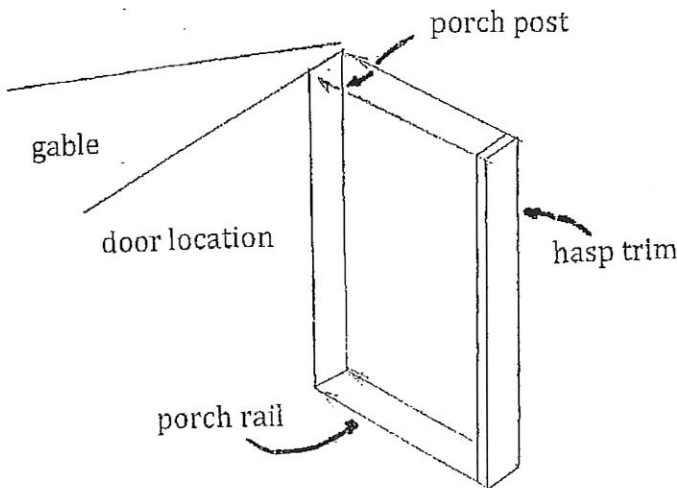
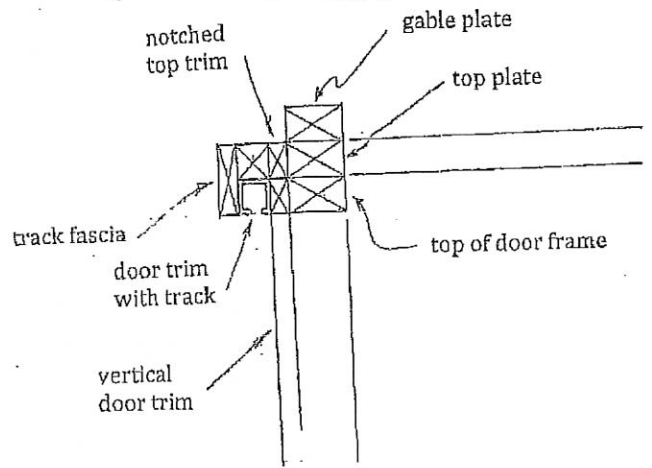
Attach the door trim with track to the notched top trims using 4 - 3" screws. Next, unclip the wheels from the sliding door first. Then slide the wheels onto the track. Now clip the sliding door onto the wheels. You will require two people to perform this function; one person inside to guide the door onto the notch in the wheel assembly and the other person on the outside to lift the door into place. Next using 6 - 1 3/4" finishing nails affix the track fascia over top of the door trim and track. By allowing the door to hang freely you can attach the door guide to the porch floor by using 6 - 1 3/4" nails. If you have the 6 ft wide gable porch shed a door stop is required. By using 6 - 1 3/4" nails affix the door stop to the inside of the door frame. Refer to the figures below for details.



3"
Screws



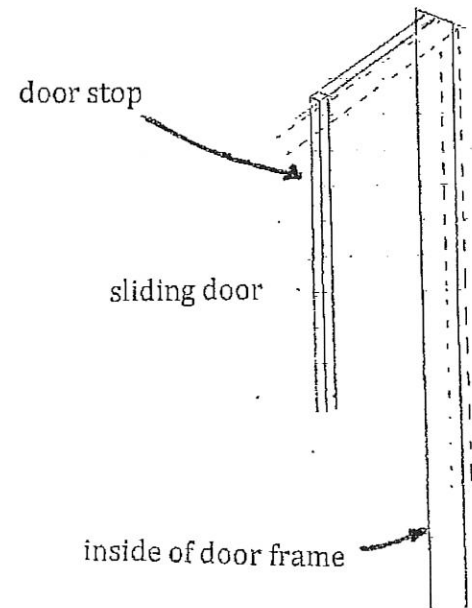
CLOSE UP DETAILS OF SLIDING DOOR TRACK INSTALLATION (SIDE VIEW)



HASP TRIM INSTALLATION



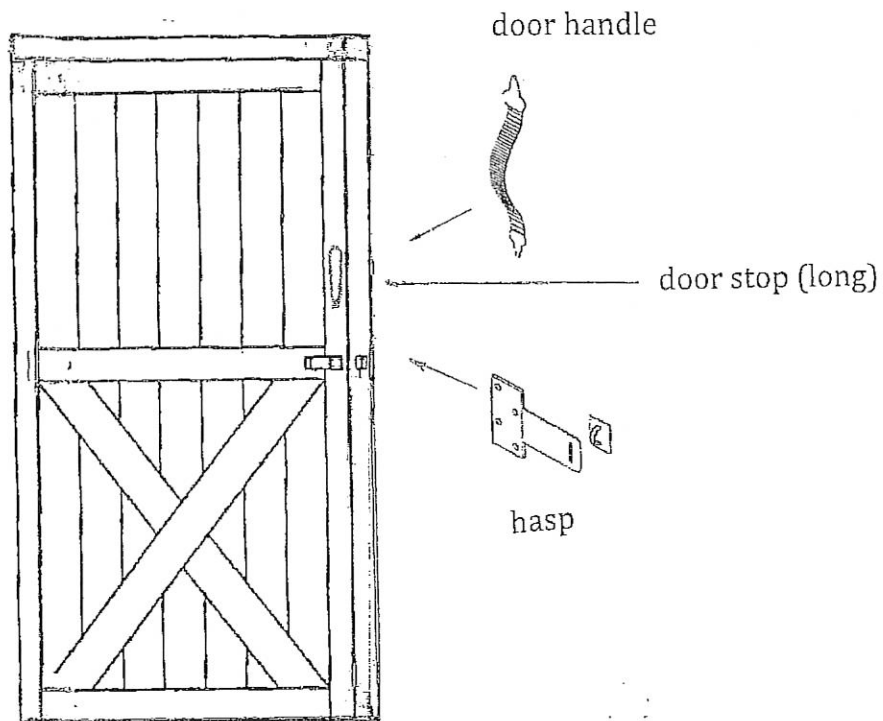
1 3/4"
Finishing
Nail



DOOR STOP INSTALLATION

INSTALLATION OF DOOR HARDWARE ON SLIDING DOOR

The door handle and hasp are installed as per the diagram below. The knuckle portion of the hasp will be installed on the long door stop. In the case of the sliding door being installed on a porch, the knuckle will be attached to the hasp trim board.



DOOR HARDWARE INSTALLATION

If you have ordered the **7 ft wall or the Ridge Porch option**. The infill walls need to be installed at this point. If not please skip to the "INSTALLING TOP PLATES" step.

INSTALLING THE 7 FT WALL OPTION

Take the in-fill wall panels and attach each panel on top of each wall panel by using 4-3" screws per panel. Each infill wall panel will correspond to the size of panel included in your kit. For example 46 1/2" in-fill wall panels should be installed on top of 46 1/2" wall panel. Attach each of the in-fill wall panels to each other by using 2-3" screws per joint. See Fig IFW-1 for details.

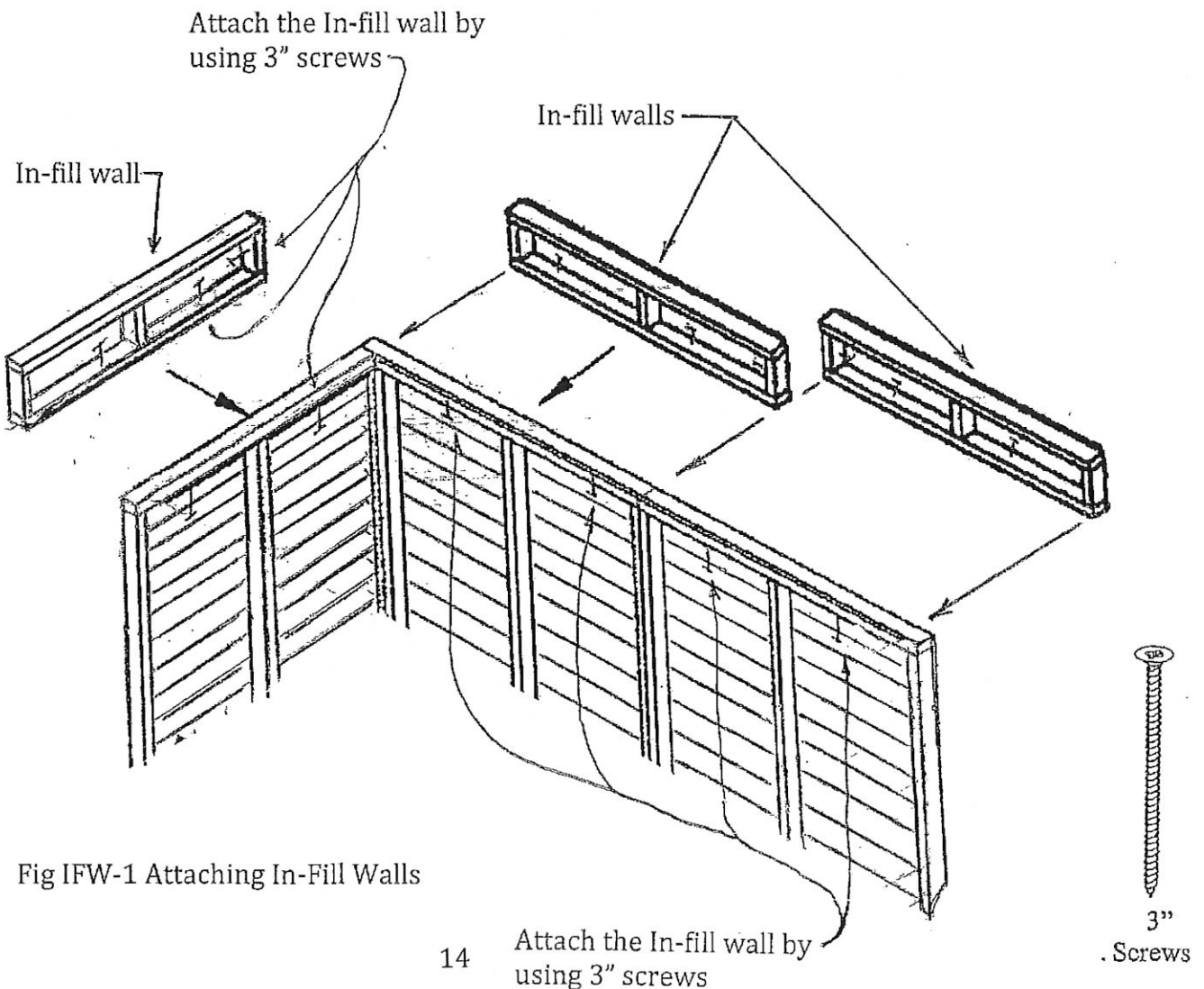
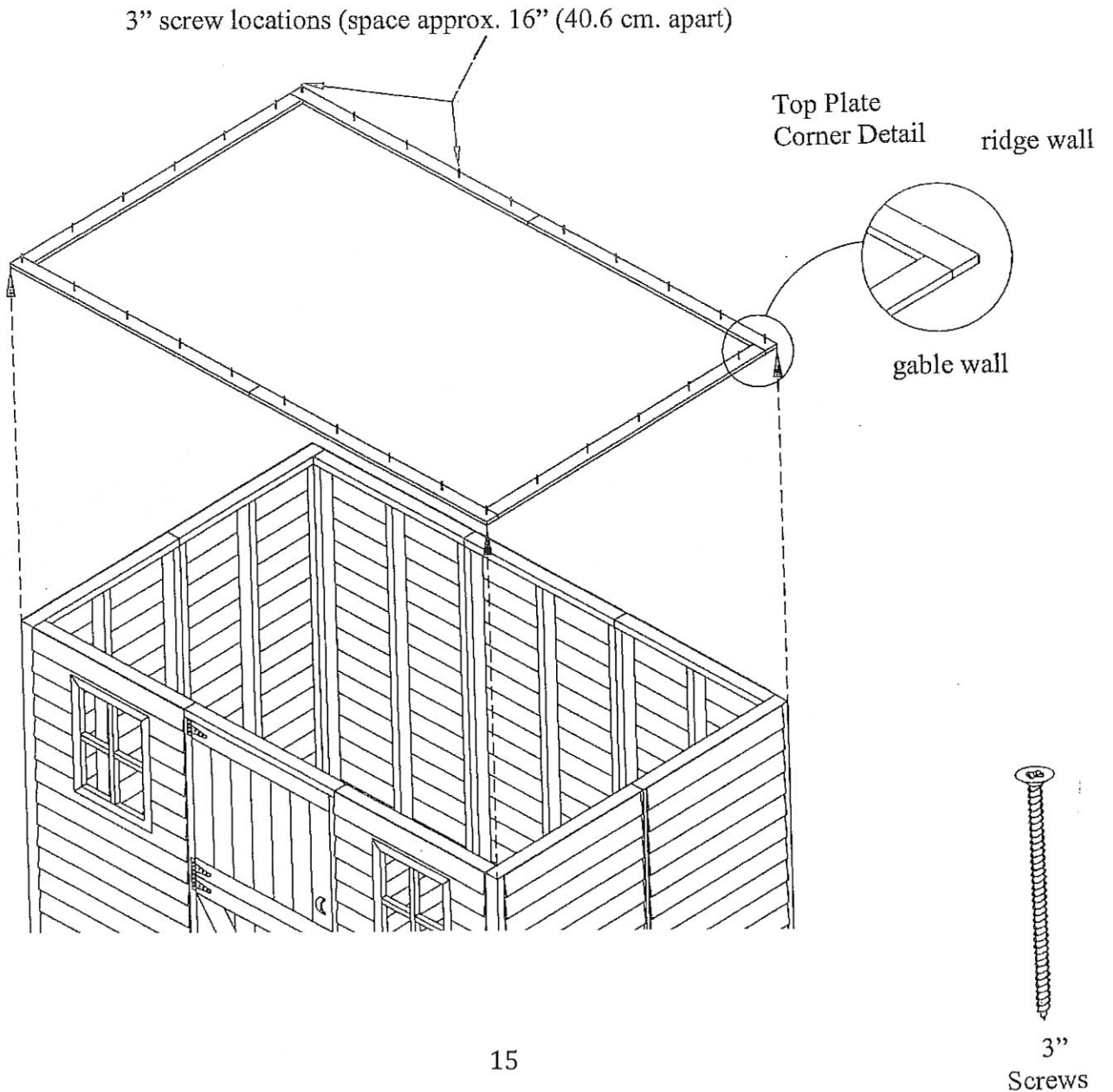


Fig IFW-1 Attaching In-Fill Walls

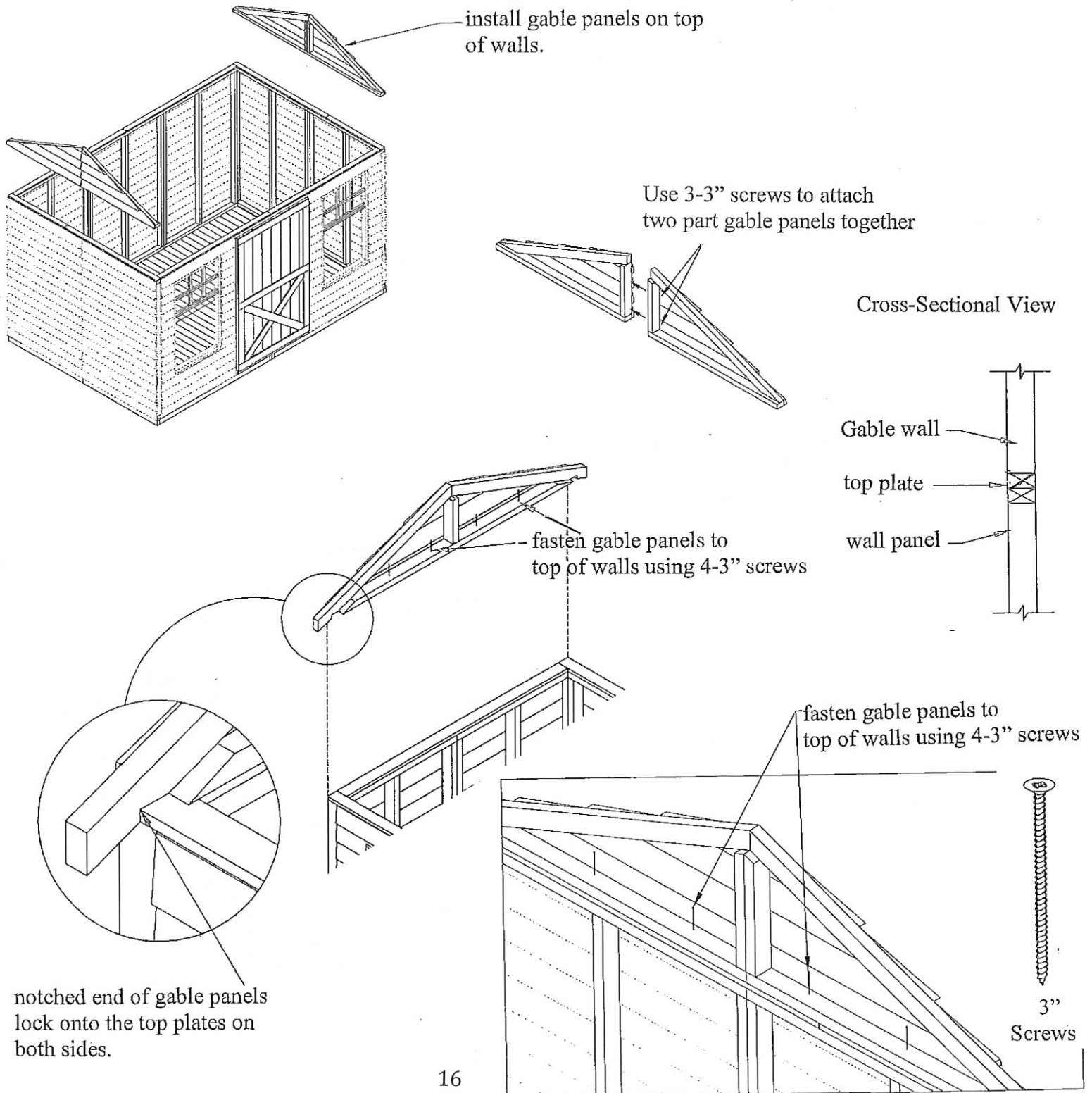
INSTALLING TOP PLATES

The 2x3 top plates are the next items to be installed onto the top of the wall panels. The top plates help to give the ridge walls more rigidity. The top plates criss cross at each corner to give corner stability to the shed. Install the top plate ovetop of the ridge wall side first as these pieces of top plate will run from outside corner to outside corner.



INSTALLATION OF GABLE PANELS

The gable panels sit on top of the top plates and are flush to the outside edge. Some sheds come with 4 gable wall sections. Attach the opposing wall panels together before attaching to the top of the walls.

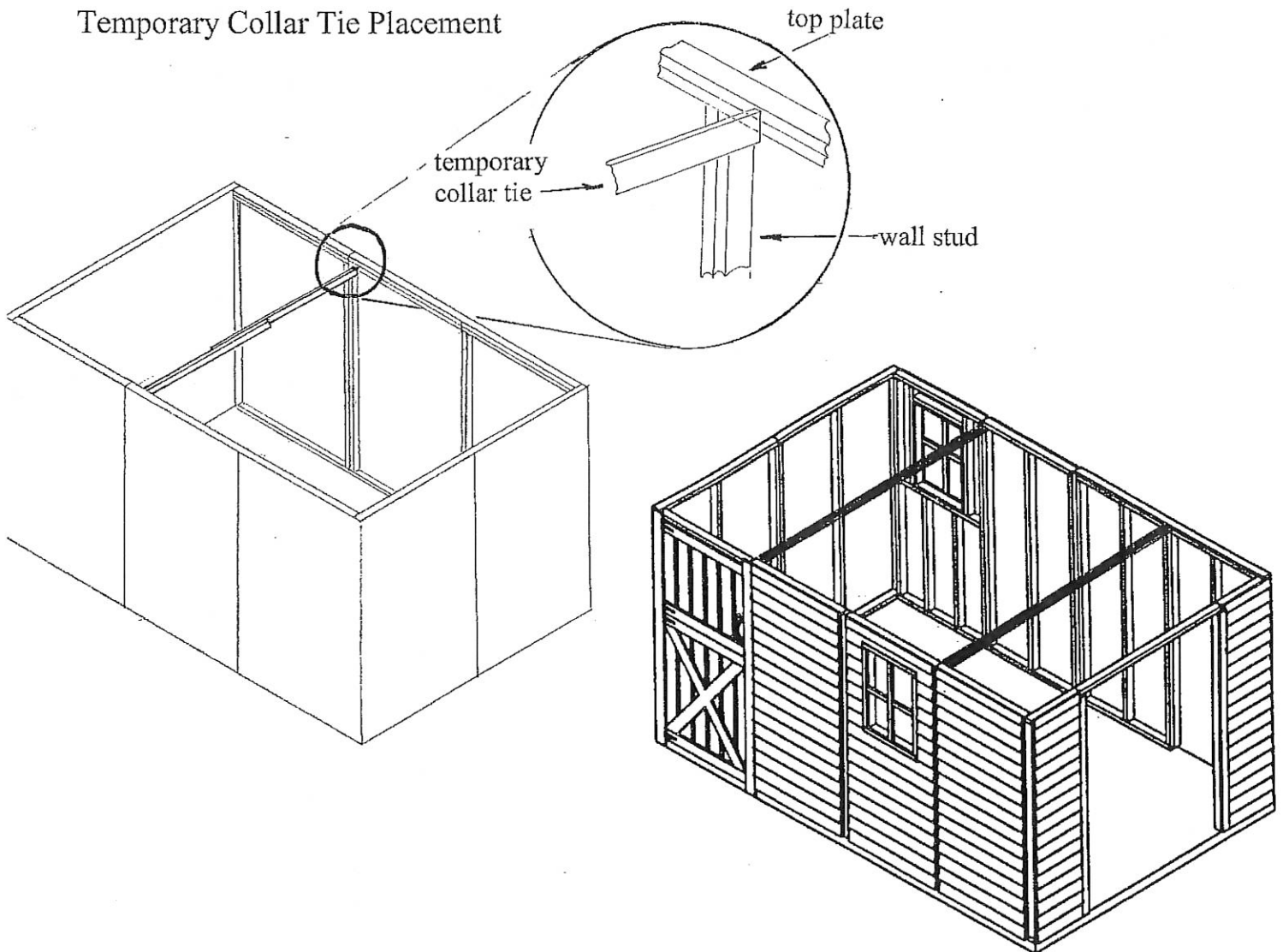


INSTALLATION OF ROOF PANELS

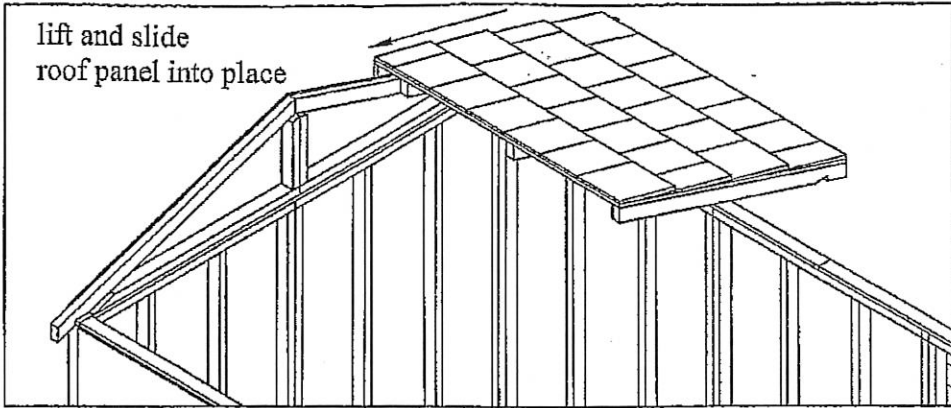
In models of 12 ft (3.66 m) and greater in ridge wall length, the use of a temporary collar tie should be used before the roof panels are installed. You will require four pieces of 5 to 6 ft (1.52 m to 1.83 m.) long for this purpose. Refer to the bottom diagram for details.

These temporary collar ties are to be used to prevent the walls from bowing out (which causes the ridge roof line to take on a "saddle back" look; a dip in the middle of the roof) while the roof panels are being installed.

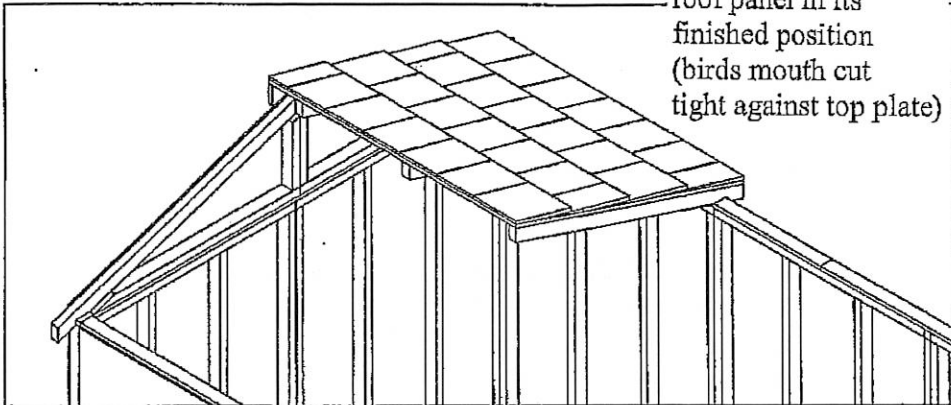
Temporary Collar Tie Placement



lift and slide
roof panel into place



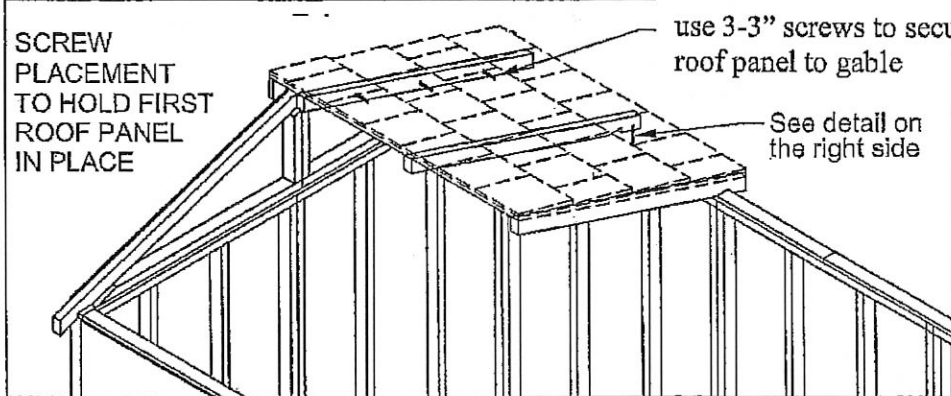
roof panel in its
finished position
(birds mouth cut
tight against top plate)



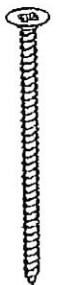
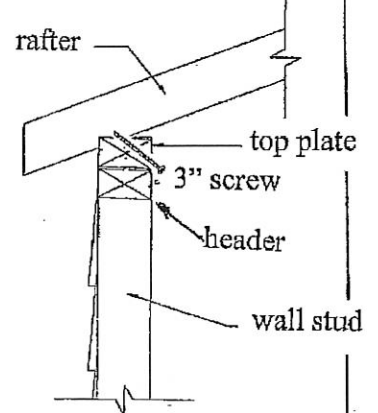
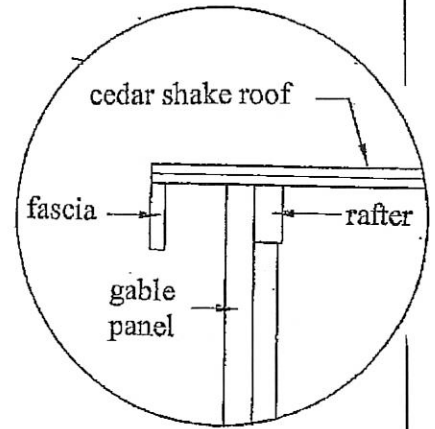
SCREW
PLACEMENT
TO HOLD FIRST
ROOF PANEL
IN PLACE

use 3-3" screws to secure
roof panel to gable

See detail on
the right side

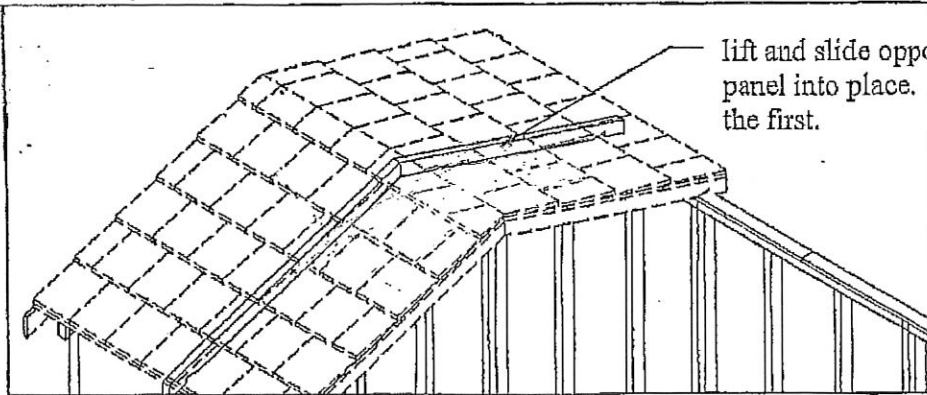


Cross Sectional Views



3"
Screws

lift and slide opposing roof
panel into place. Affix like
the first.



SKYLIGHT OPTION INSTALLATION DETAILS

First take the corrugated plastic panels and make sure to identify the UV protected side (this will be the printed film side). This will be the side that will be exposed to the elements and the sun. Take the two layers of film off (there is a clear film on the other side of the panel) and lay them over top of the open roof rafters and battens. Refer to Fig SL-001 below for details. The plastic panels come in various sizes and need to be placed over specific roof panels to insure the seams line up on a rafter. Please refer to Table 1 on the next page and to the roof panel diagram in your Model Specific Instruction Pages for more details. The top of each skylight panel will slide underneath the wood shingles located at the top of each roof panel. The bottom edge of the skylight sheets will overhang the end of the rafters by about 2" [50 mm].

Next take the foam tape and cut them into 32 ½" (826 mm) long strips. The amount of foam tape will vary by size of shed. Table 2 outlines the amount you should have received. Remove the plastic film to reveal the sticky side and place it over top of skylight sheets at each rafter location (even if there is not a seam at the rafter location).

Now take the wood strips and by using a 1/16" drill bit, pre-drill according to Fig SL-002 on the next page. Using the neoprene washers and 2" screws attach each wood strip over top of the foam tape. The number of wood strips and neoprene washers needed for each size of shed is outlined in Table 2.

NOTE: The skylight option must run the entire ridge length of the shed. If a gable porch is part of your shed then there will be a skylight over top of the porch roof as well.

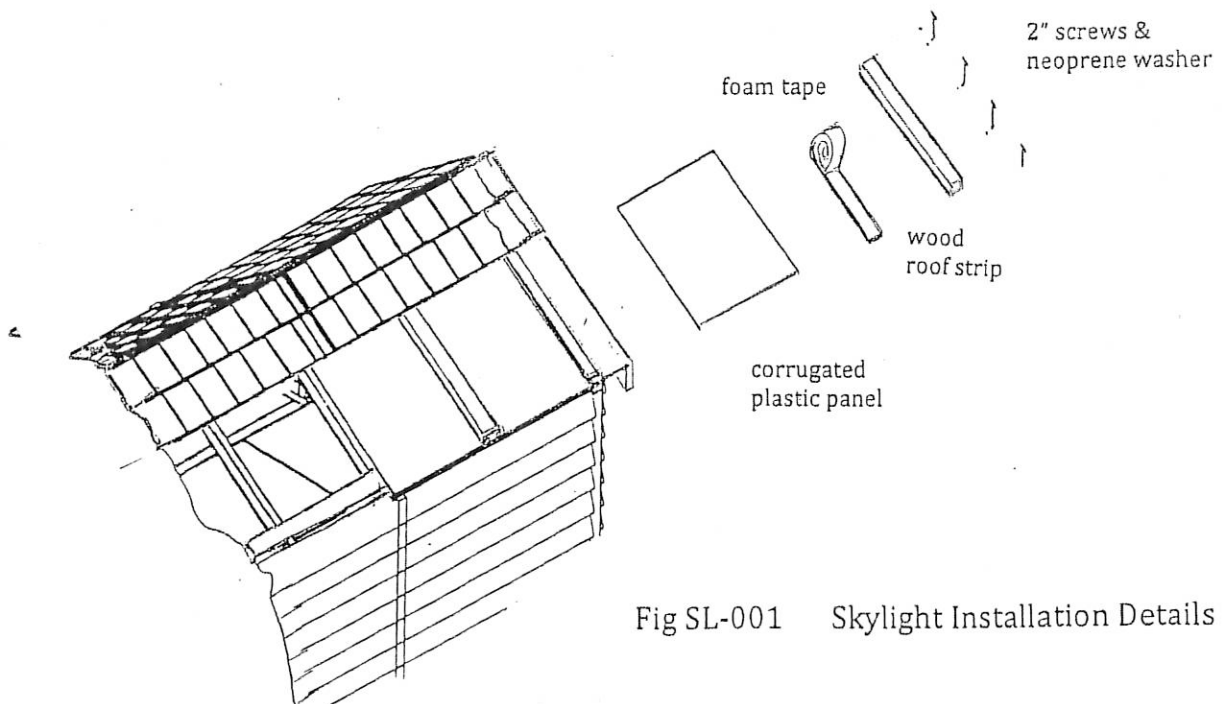


Fig SL-001 Skylight Installation Details

TABLE 1 - SKYLIGHT SHEETS WITH CORRESPONDING ROOF PANELS

Shed size	Roof panel/ skylight width	Roof panel/ skylight width	Roof panel/ skylight width	Roof panel/ skylight width	Roof panel/ skylight width
	RF-007/ 42 3/4" [1086]	RF-021/ 34 1/2" [876]	RF-005/ 42 3/4" [1086]	RF-004/ 24" [610]	RF-006/ 23 1/4" [591]
6x6	2	0	0	0	0
6x9	2	1	0	0	0
6x12	2	2	0	0	0
8x8	0	0	2	1	0
8x10	0	0	2	0	2
8x12	0	0	2	1	2
8x16	0	0	2	2	2
8x20	0	0	2	3	2

TABLE 2 - PARTS FOR SKYLIGHT OPTION

SHED SIZE	FOAM TAPE	WOOD STRIPS	NEOPRENE WASHERS
	rolls/length		
	25 ft [7.6 m]/ 12 1/2 ft [3.8 m]	33" [838] in length	
6x6	1-[12 1/2]	5	20
6x9	1-[25]	7	28
6x12	1-[25]	9	36
8x8	1-[25]	6	24
8x10	1-[25]	7	28
8x12	1-[25]	8	32
8x16	1-[25]/1-[12/12]	10	40
8x20	1-[25]/1-[12/12]	12	28

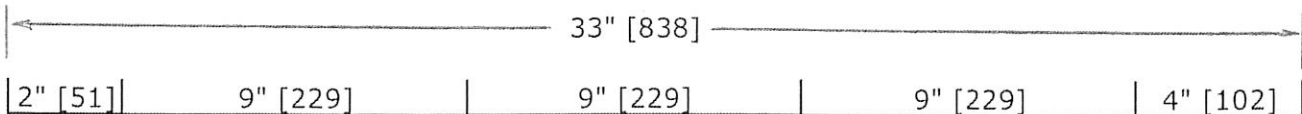
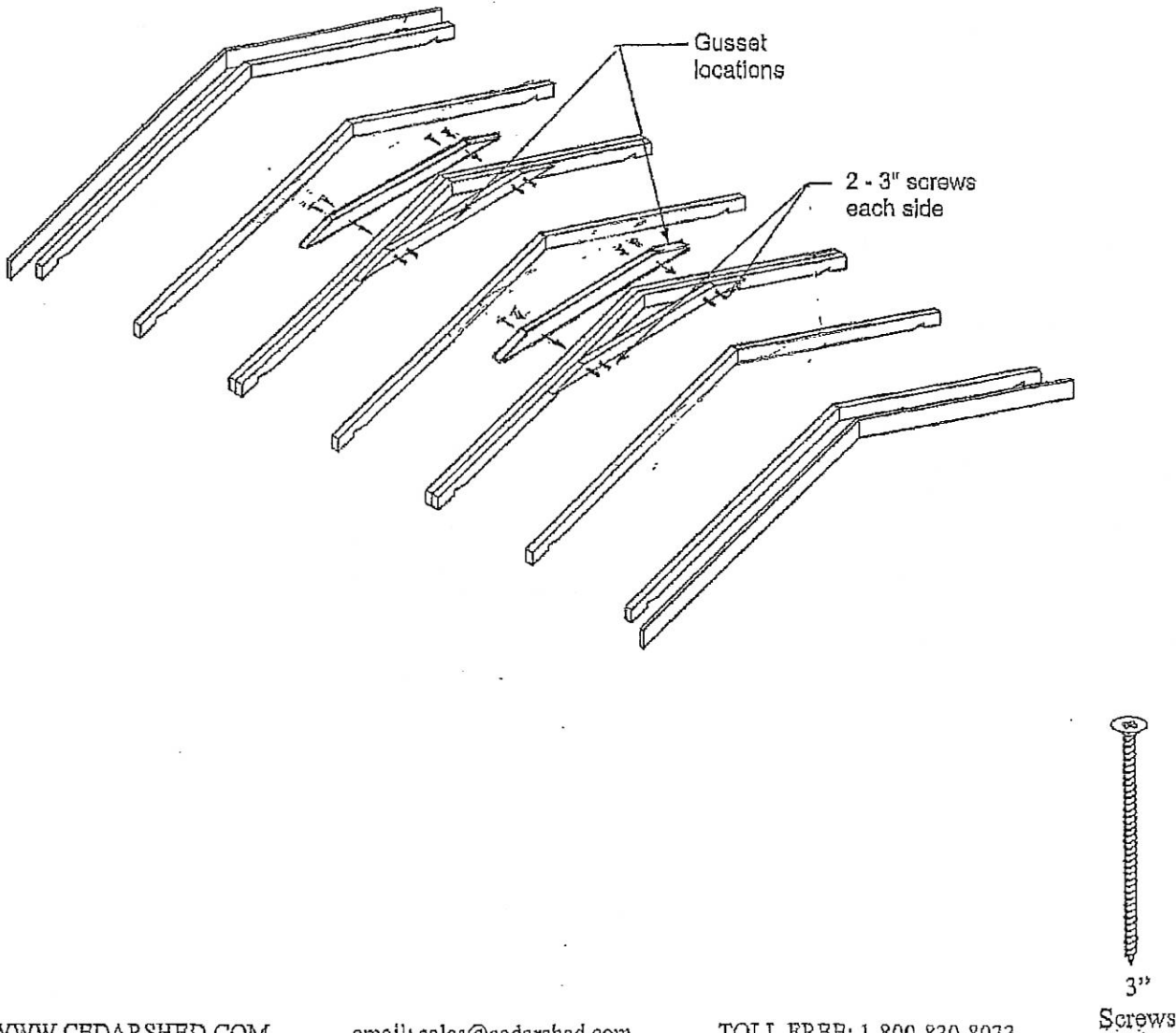


FIG SL-002 Pre-drilling on wood strip details

INSTALLATION OF GUSSETS

Each pair of gussets will be installed at the joints between each pair of roof panels. Using 4-3" screws attach the gussets to the face of the rafters. See the diagram below for details.



WWW.CEDARSHED.COM

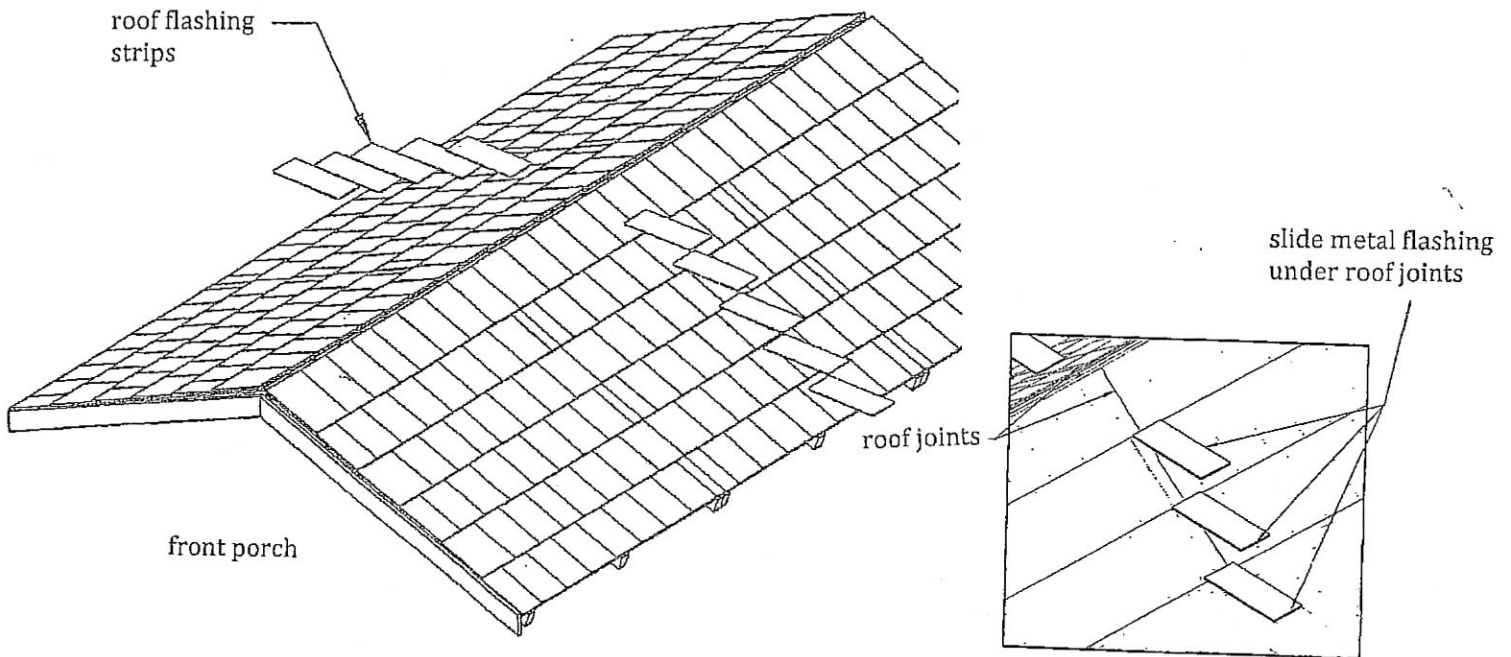
email: sales@cedarshed.com

TOLL FREE: 1-800-830-8033

3" Screws

INSTALLING ROOF FLASHING AND AFFIXING THE TOP OF THE GABLE WALLS

The metal flashing strips need to be slid under each course (row) of shingles. This helps to prevent any water from penetrating through the roof at the seams between roof panels. See diagram below for details.



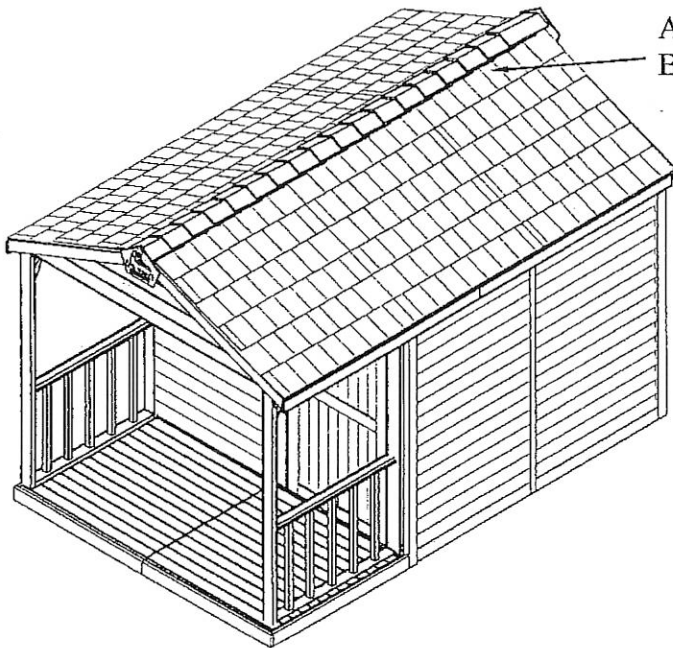
INSTALLING ROOFING FELT AND THE RIDGE CAPS

The roofing felt comes in a 12" wide roll. First you must cut the roofing felt into 4" wide strips and lay them over top of the roof ridge. Use a staple gun to affix, if you have one. If not use the 1" shingle nails to affix the roofing felt.

The ridge caps are installed along the top of the roof ridge. Using the 2" shingle nails, affix each ridge caps in place. Starting at one end of the roof ridge, place the ridge cap with the thicker end protruding past the edge of the ridge by 1/2". Affix into place using 4-2" shingle nails. Then lay another ridge cap over top of the first one allowing an additional 1/2" overhang over the edge of the first ridge cap. Affix this ridge cap using 2-2" shingle nails making sure you place the nails at least 12" past the thick end of ridge cap.

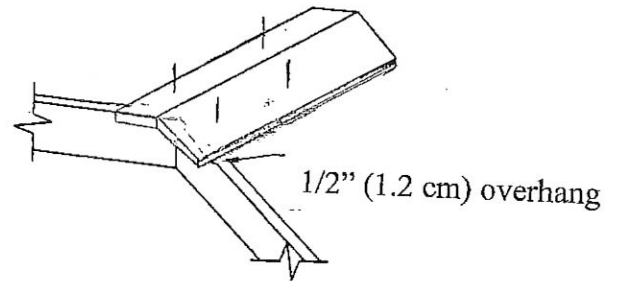
The third ridge cap will be installed exposing 10" of the previous ridge cap to the weather. Again make sure the nails to affix this ridge cap are located 12" up from the exposed edge of the ridge cap (this ensures that the next ridge cap will cover over these nails).

Refer to the diagrams below for further details.



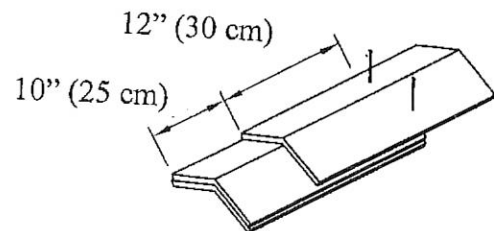
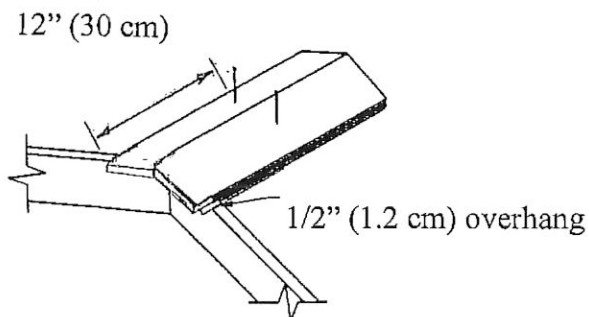
1"
Shingle
Nails

Installation of First Ridge Cap



Installation of Additional Ridge Caps

Installation of Second Ridge Cap



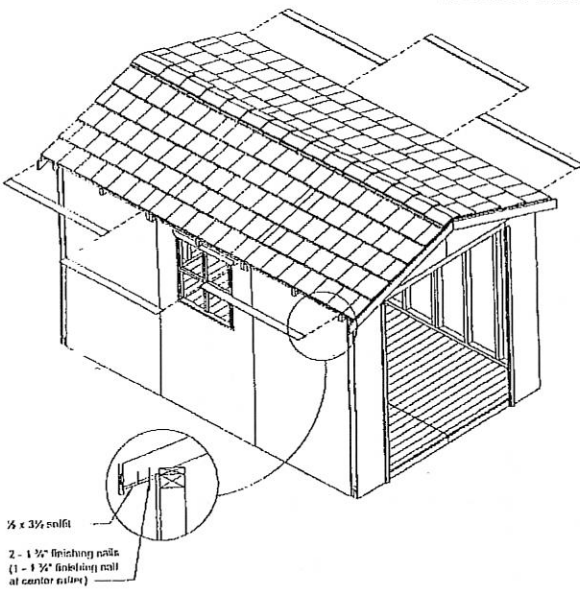
2"
Shingle
Nails

TRIM BOARD INSTALLATION

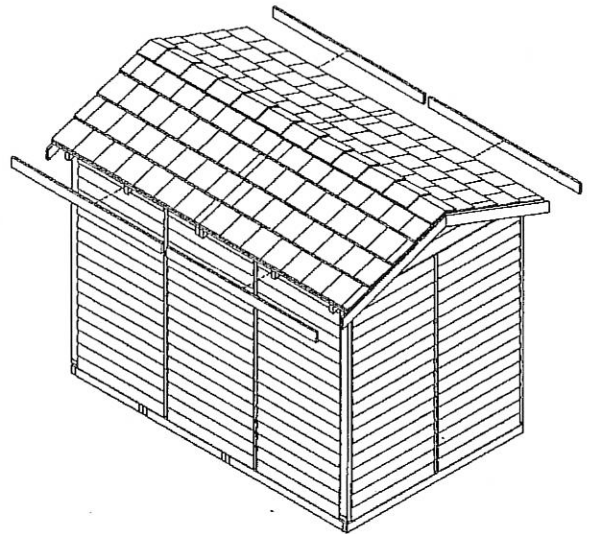
The trim boards for each garden building can be divided into four categories. The trim boards must be applied to the shed in following order:

1. Soffits
2. Fascia
3. Vertical trim
4. Horizontal trim

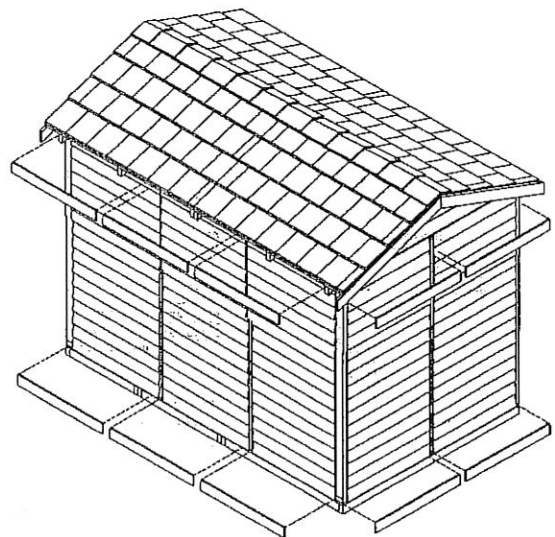
Soffit Installation



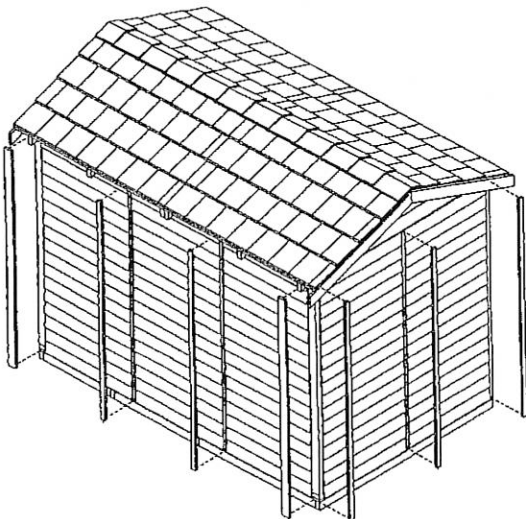
Fascia Installation



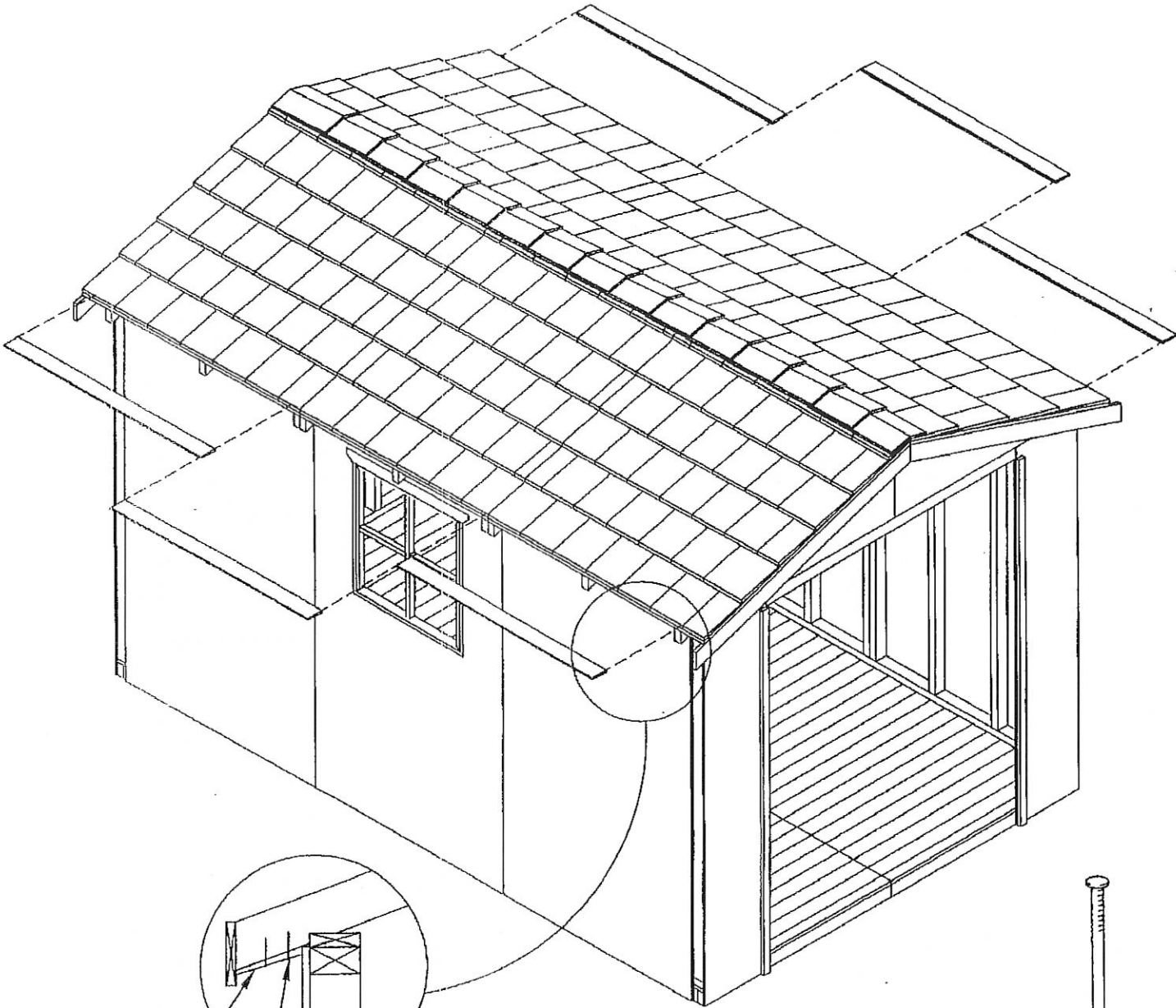
Skirting Installation



Vertical Trim Installation



INSTALLATION OF SOFFITS

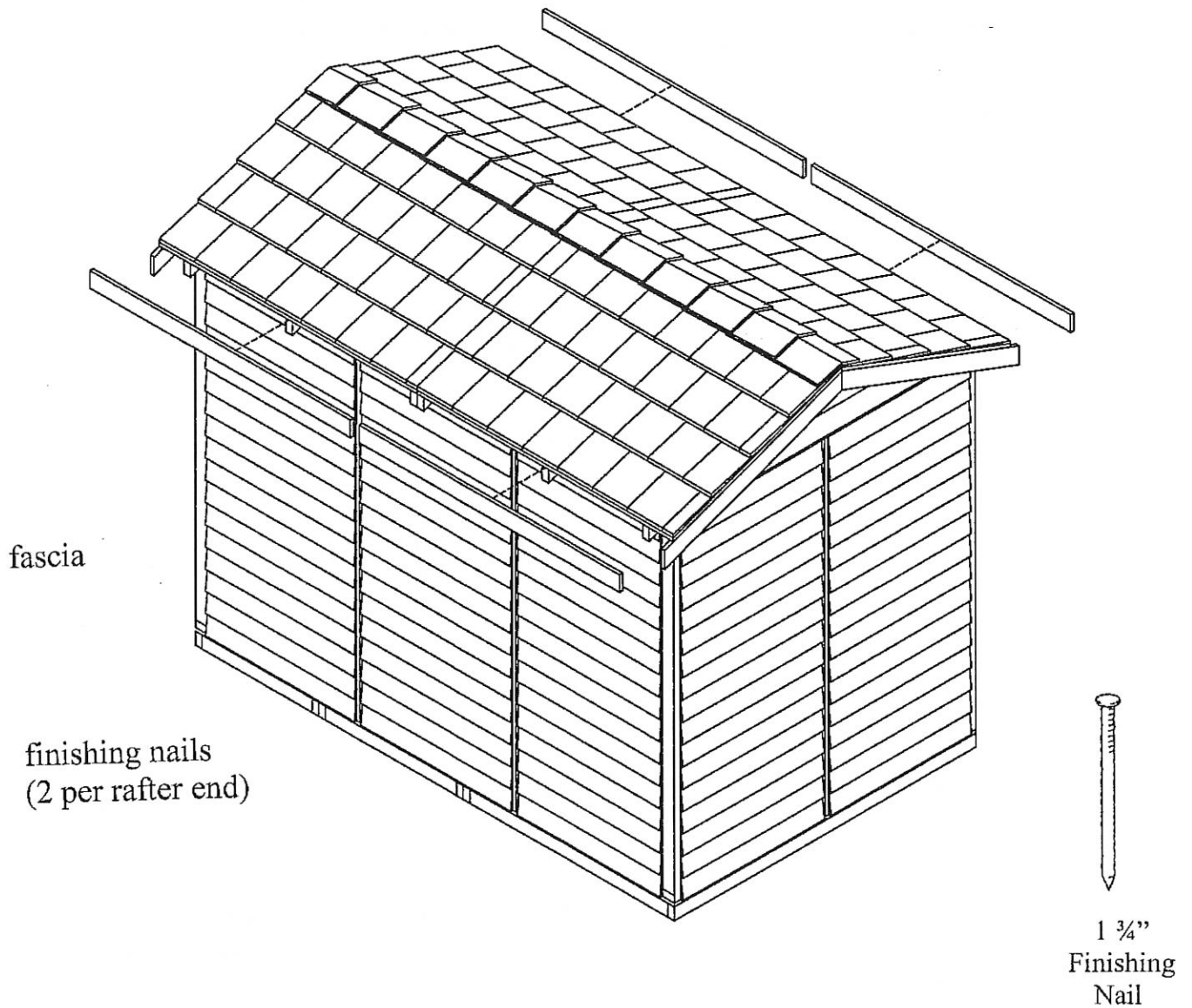


soffit

finishing
nails
(2 per rafter end)



INSTALLATION OF FASCIA



INSTALLING 7 FT WALL or RIDGE PORCH OPTION TRIM BOARDS

There are three changes in the installation of the trim boards when the 7 ft wall option has been purchased.

1. Additional skirting required.

Like the top skirting that is installed between the gable and wall panels, there will be an additional piece of top skirting that needs to be installed between the wall panels and the in-fill panels. See Fig SKT-01 for details. (SKT-01 is shown on "INSTALLING SKIRTING" section.

2. Vertical trim above the door panels.

There short vertical trim to be installed above the door panels. See Fig IWF-02 for details.

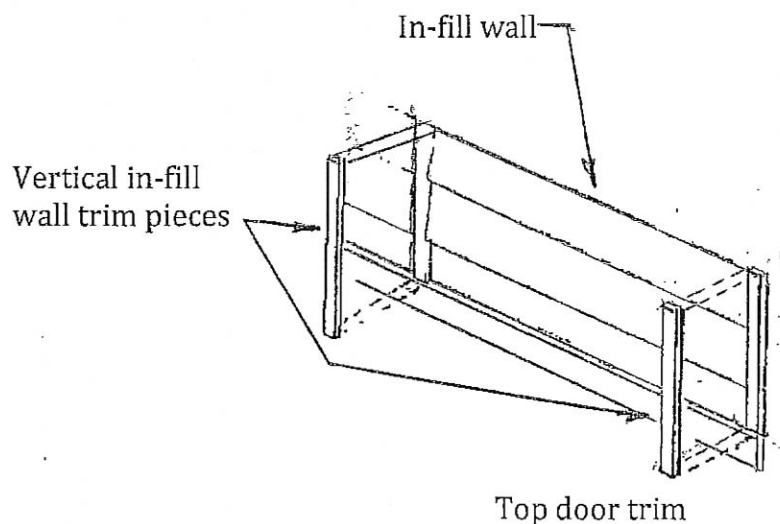
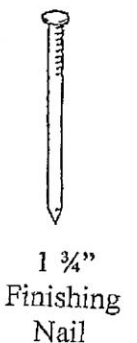


Fig IWF-02 Installation of In-fill wall vertical trim above door openings

3. There will be longer vertical trim boards (corner and center) included in this kit. Use the same procedure as outlined in this section for the installation of vertical trim.



ADDITIONAL AND REVISED PARTS WHEN 7 FT WALL OR RIDGE PORCH OPTION IS INCLUDED

6 X 9 OR 9 X 6

PART #	DESCRIPTION	DIMENSION	# OF PCS
C-1W-002	infill wall	12 x 34 1/2	10
P-B-G633	top skirting	1/2 x 6 x 33	10
P-1210K	trim*	1 x 2 x 10 3/4	2 or 3"

6 X 12 OR 12 X 6

PART #	DESCRIPTION	DIMENSION	# OF PCS
C-1W-002	infill wall	12 x 34 1/2	12
P-B-G633	top skirting	1/2 x 6 x 33	12
P-1210K	trim	1 x 2 x 10 3/4	2*
P-1210K	trim*	1 x 2 x 10 3/4	2 or 3"

8 X 10 OR 10 X 8 SHED

PART #	DESCRIPTION	DIMENSION	# OF PCS
C-1W-002	infill wall	12 x 34 1/2	4
C-1W-003	infill wall	12 X 46 1/2	6
P-B-G633	top skirting	1/2 x 6 x 33	4
P-B-G645	top skirting	1/2 x 6 x 45	6
P-1210K	trim*	1 x 2 x 10 3/4	2 or 3"

8 X 12 OR 12 X 8

PART #	DESCRIPTION	DIMENSION	# OF PCS
C-1W-003	infill wall	12 X 46 1/2	10
P-B-G645	top skirting	1/2 x 6 x 45	10
P-1210K	trim*	1 x 2 x 10 3/4	2 or 3"

8 X 16 OR 16 X 8

PART #	DESCRIPTION	DIMENSION	# OF PCS
C-1W-003	infill wall	12 X 46 1/2	12
P-B-G645	top skirting	1/2 x 6 x 45	12
P-1210K	trim*	1 x 2 x 10 3/4	2 or 3"

8 X 20 OR 20 X 8

PART #	DESCRIPTION	DIMENSION	# OF PCS
C-1W-003	infill wall	12 X 46 1/2	14
P-B-G645	top skirting	1/2 x 6 x 45	14
P-1210K	trim*	1 x 2 x 10 3/4	2 or 3"

10 X 12 OR 12 X 10

PART #	DESCRIPTION	DIMENSION	# OF PCS
C-1W-002	infill wall	12 x 34 1/2	4
C-1W-003	infill wall	12 X 46 1/2	8
P-B-G633	top skirting	1/2 x 6 x 33	4
P-B-G645	top skirting	1/2 x 6 x 45	8
P-1210K	trim*	1 x 2 x 10 3/4	2 or 3"

10 X 16 OR 16 X 10

PART #	DESCRIPTION	DIMENSION	# OF PCS
C-1W-002	infill wall	12 x 34 1/2	4
C-1W-003	infill wall	12 X 46 1/2	10
P-B-G633	top skirting	1/2 x 6 x 33	4
P-B-G645	top skirting	1/2 x 6 x 45	10
P-1210K	trim*	1 x 2 x 10 3/4	2 or 3"

10 X 20 OR 20 X 10

PART #	DESCRIPTION	DIMENSION	# OF PCS
C-1W-002	infill wall	12 x 34 1/2	4
C-1W-003	infill wall	12 X 46 1/2	12
P-B-G633	top skirting	1/2 x 6 x 33	4
P-B-G645	top skirting	1/2 x 6 x 45	12
P-1210K	trim*	1 x 2 x 10 3/4	2 or 3"

* IF YOU HAVE ORDER A SHED THAT HAS A DOUBLE DOOR THAT IS LOCATED ON THE GABLE END (8 and 10 ft wde models) OR IN THE CENTER OF THE RIDGE WALL THEN 3 PIECES OF P-1210K (1 x 2 x 10 3/4) ARE REQUIRED.

STANDARD SHED VERTICAL TRIM		
P-1279C	Trim	1 x 2 x 79 1/4
P-13C79C	Trim	1 x 3 1/4 x 79 1/4
P-1280G	Trim	1 x 2 x 80 1/2

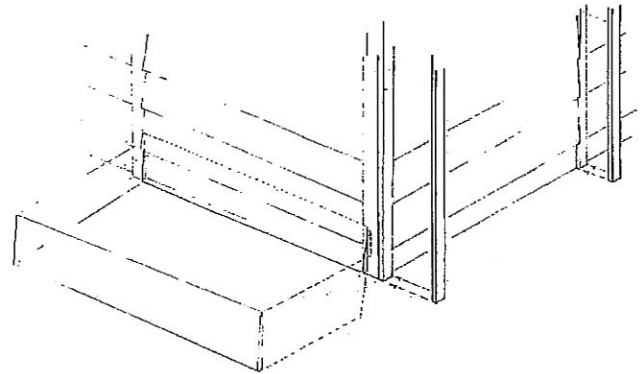
CHANGE
TO

STANDARD SHED VERTICAL TRIM		
P-1291	Trim	1 x 2 x 91
P-13C91	Trim	1 x 3 1/4 x 91
P-1292C	Trim	1 x 2 x 92 1/4

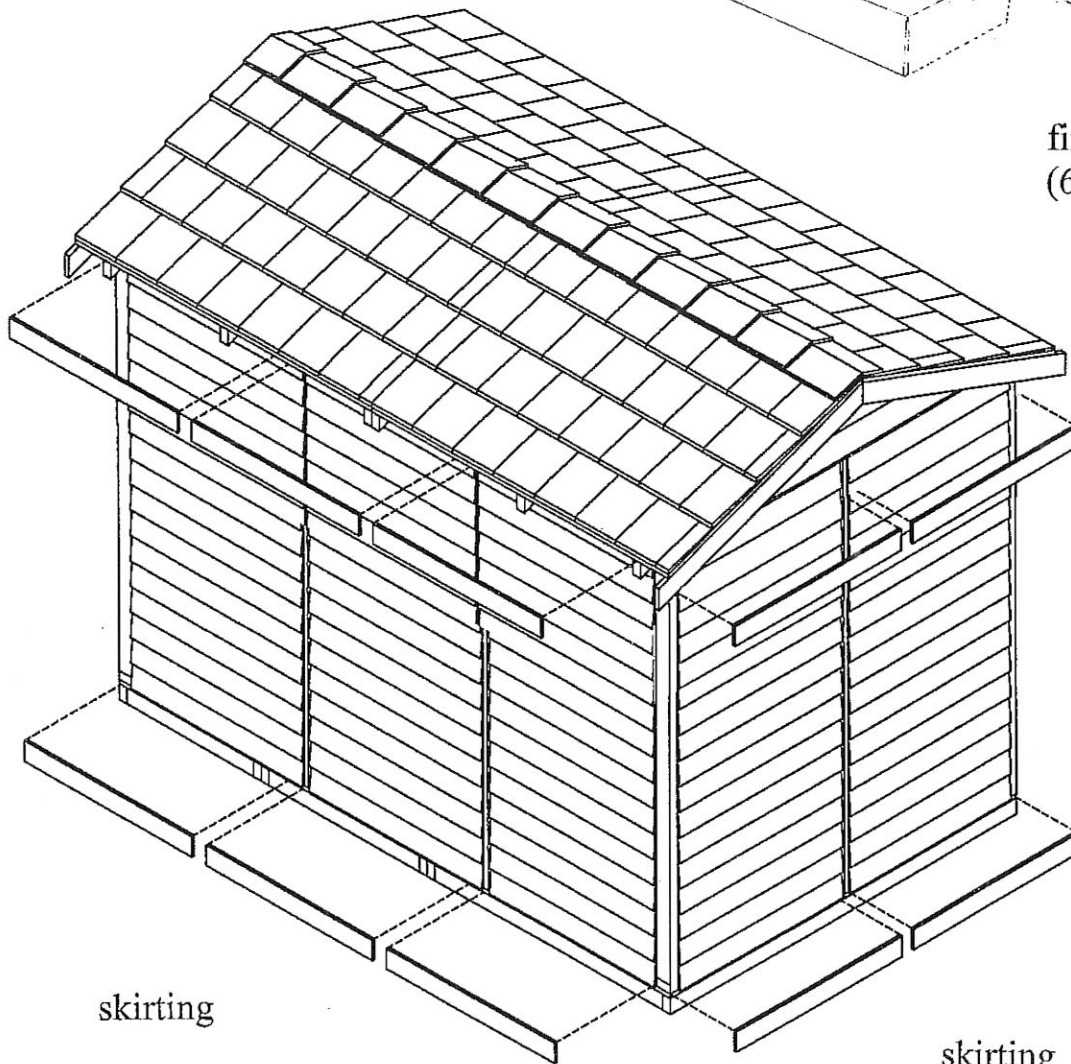
INSTALLATION OF SKIRTING

(refer to additional pages for details)

skirting



finishing nails
(6 per piece)



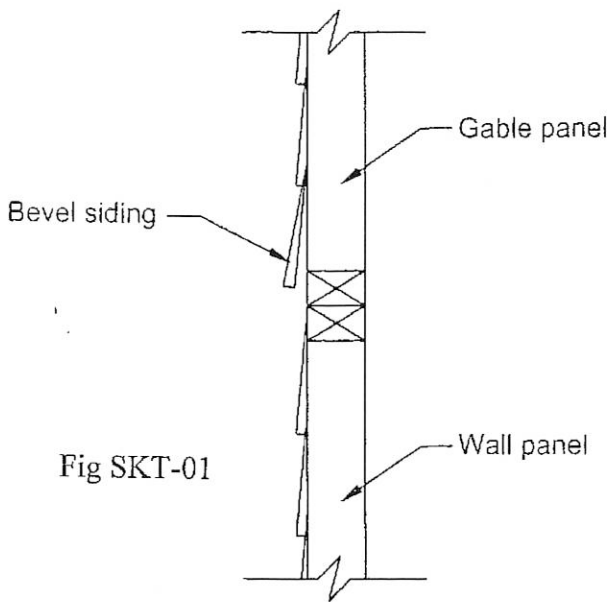
skirting

skirting

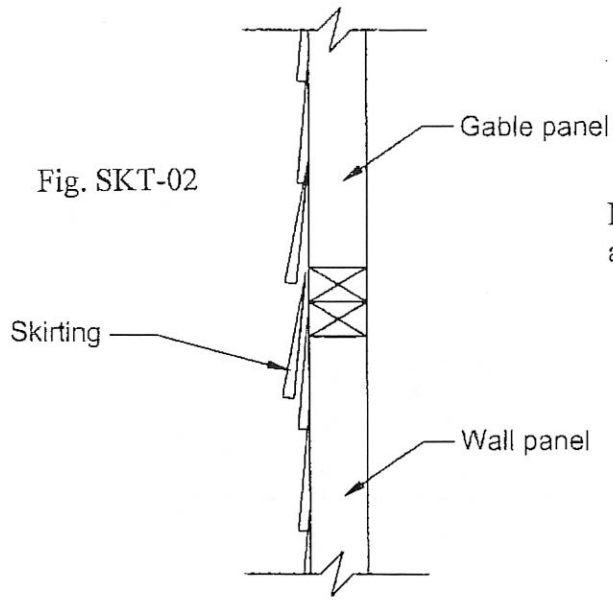


1 3/4"
Finishing
Nail

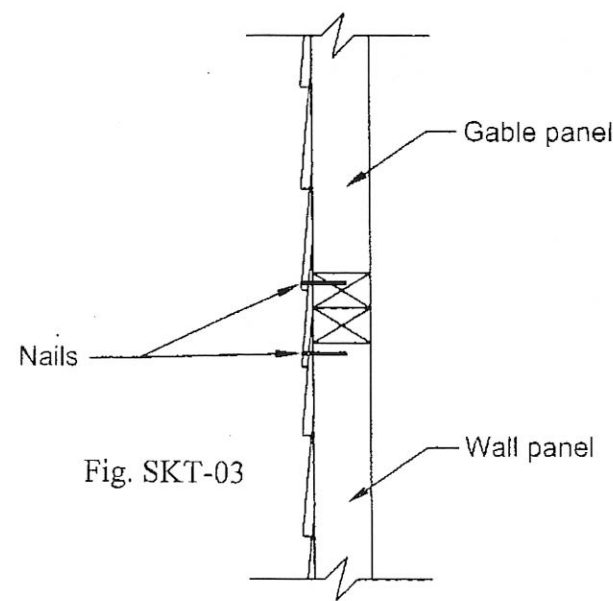
INSTALLING SKIRTING (TOP)



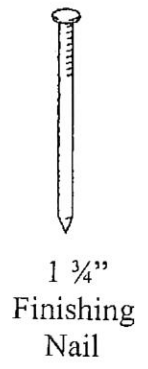
Carefully pry the bevel piece at the bottom of the wall panel above (either gable or infill wall panel). Do not use too much force as this could cause the bevel siding to break. See Fig SKT-01 for details.



Now slide the skirting piece under the pried bevel piece as shown in Fig SKT-02.



Using 6-1 3/4" finishing nails, affix the skirting piece into place as per Fig SKT-03.



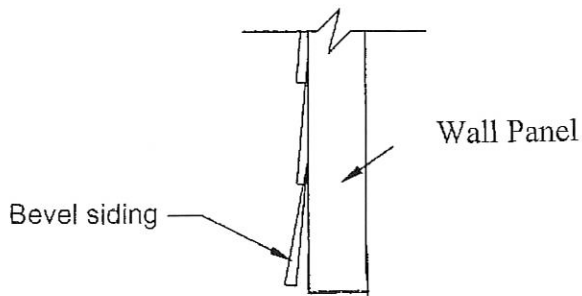


Fig. SKB-01

INSTALLING SKIRTING (BOTTOM)

Carefully, pry the bevel piece at the bottom of the wall panel. Do not use too much force as this could cause the bevel siding to break. See Fig. SKB-01 for details.

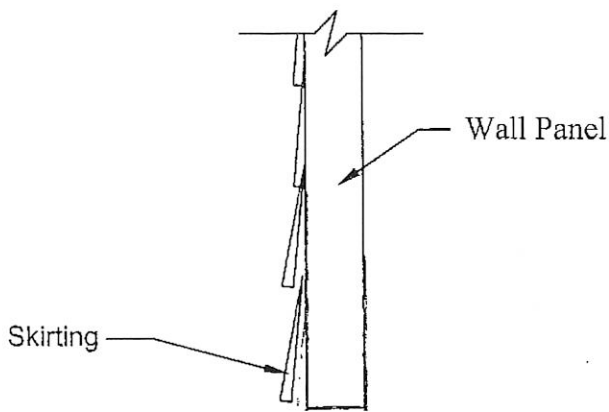


Fig. SKB-02

Now slide the skirting piece under the pried bevel piece as shown in Fig SKB-02.

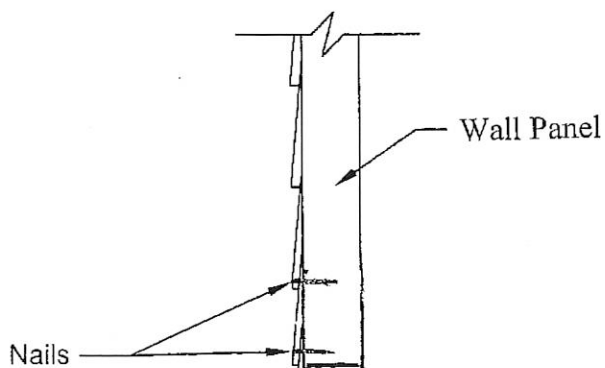


Fig. SKB-03

Using 6-1 3/4" finishing nails, affix the skirting piece into place as per Fig SKB-03.



1 3/4"
Finishing
Nail

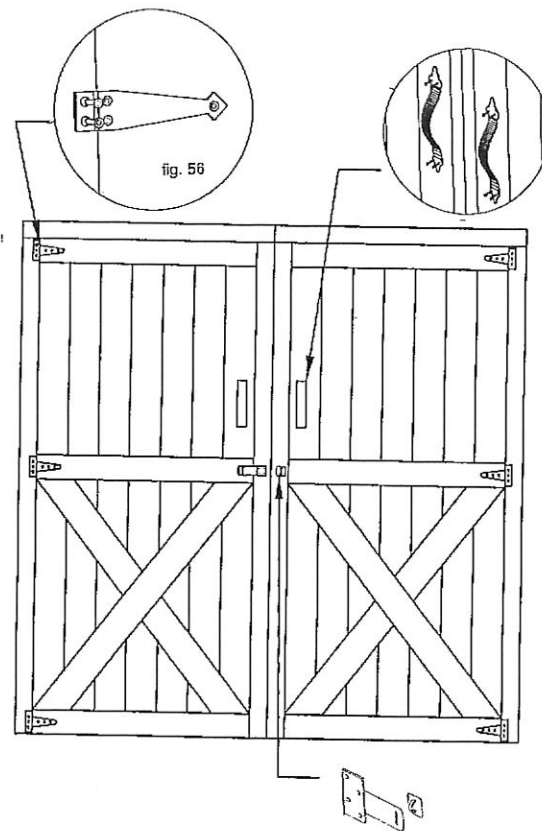
MOUNTING OF DOOR HARDWARE AND DOORS

Pre drill the holes before mounting the hinges, handles, barrel bolts and hasps using a 1/16" drill bit. Allow 1/8" (3.2 mm) gap at the top, two sides, and between the double doors and the two halves of the Dutch door. These gaps will allow the doors to swing freely after they have been installed.

A. Double Door

The double doors come with the hinges already attached to the doors. The hinges need to be mounted onto the door frame.

The door handles and the hasp need to be installed using the screws that come with each piece of hardware. Remember to use a 1/16" drill bit to pre drill holes before affixing. See the diagrams below for more details.

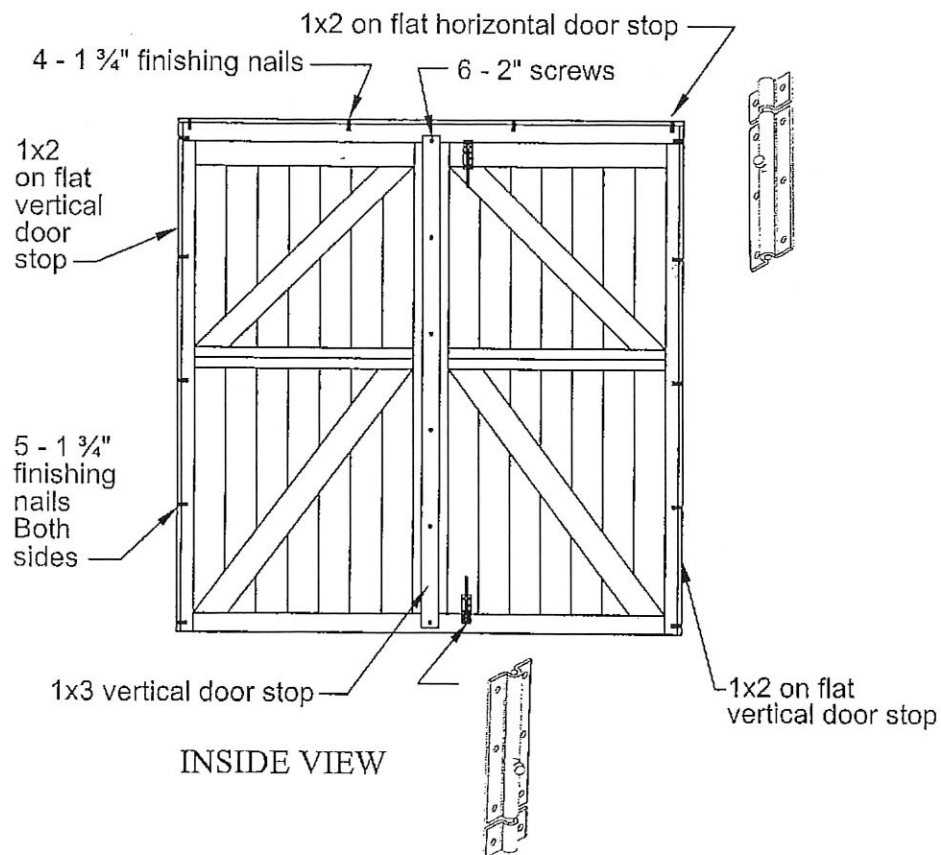


OUTSIDE VIEW

Now affix the door stops. The door stops come bundled with two vertical pieces, one horizontal piece, and one centre piece. The centre door stop is the wide piece. Working from the interior, and keeping the doors closed, affix the horizontal door stop on to the top door frame first using the 6-1 3/4" finishing nails. The wide face of the door stop will be placed against the door frame. Then do the same for both vertical door stops using 7-nails per side. The centre door stop is used to cover the gap between the two doors and must be mounted on the stationary door (the door that will remain closed most of the time), using 7-nails.

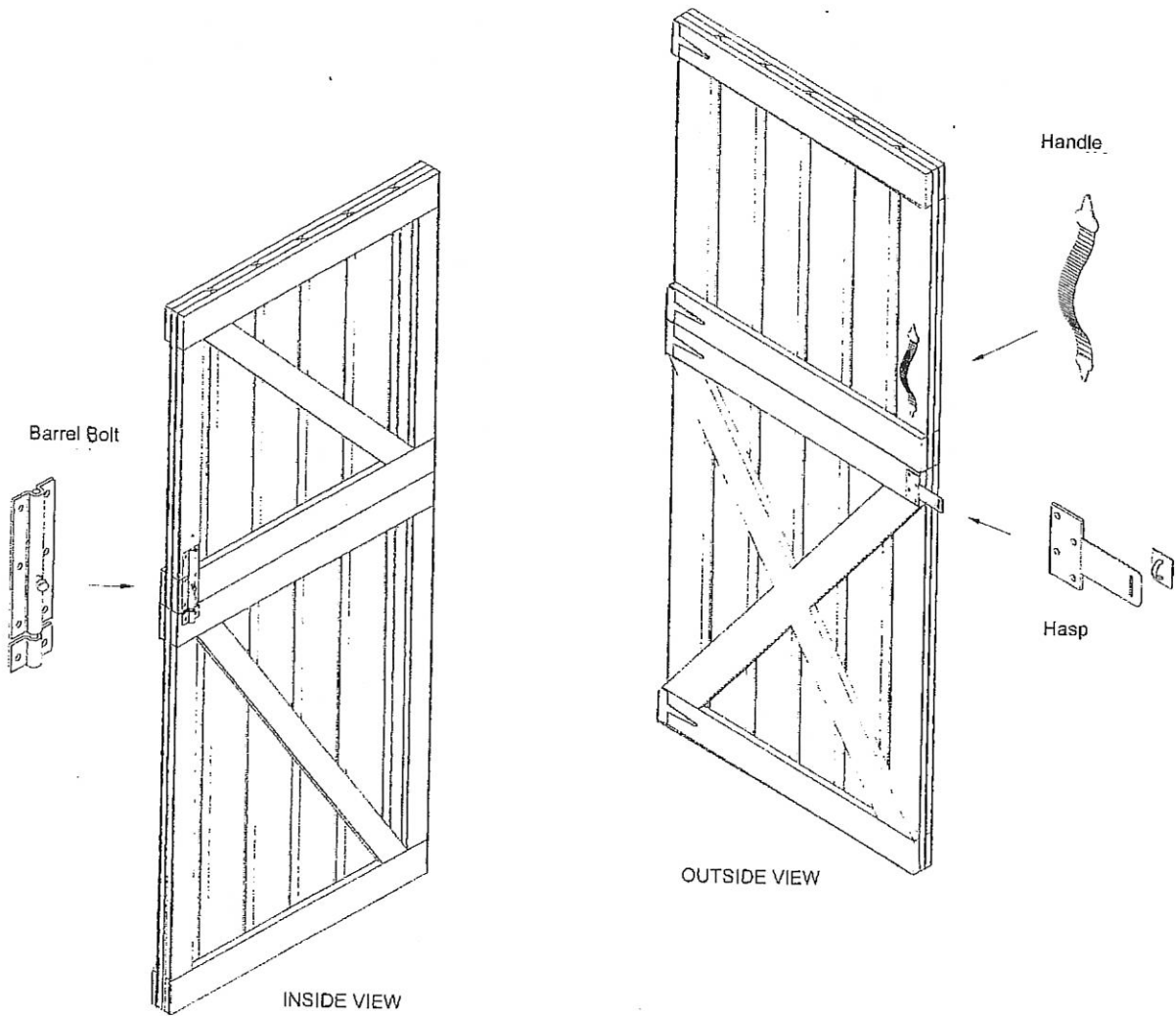
Next, the barrel bolts need to be mounted on the stationary door. The barrel bolts are to keep the stationary door closed at all times (except when a wider opening is needed). Place the barrel bolts 3" (7.6 cm) from the centre edge of the door. Mark the spot where the barrel bolt will enter the door frame (above) and the floor (below). Also mark the spots where the barrel bolt will be attached to the door. Using a 3/8" drill bit make a hole about 1 1/4" (3.2 cm) deep into the top door frame and the floor for the barrel bolts to fit into when locked. Then use a 1/16" drill bit to make pilot holes at the screw locations for affixing the barrel bolts to the doors.

Refer to the diagram below for details.



b. Dutch Door

To give you the versatility to either swinging the door left or right, the hinges have been left off the doors. So the hinges, the door handle, the barrel bolt (used to lock the top and bottom half of the doors together) and the hasp need to be affixed to the door and the door frame. Refer to the diagrams below for details.



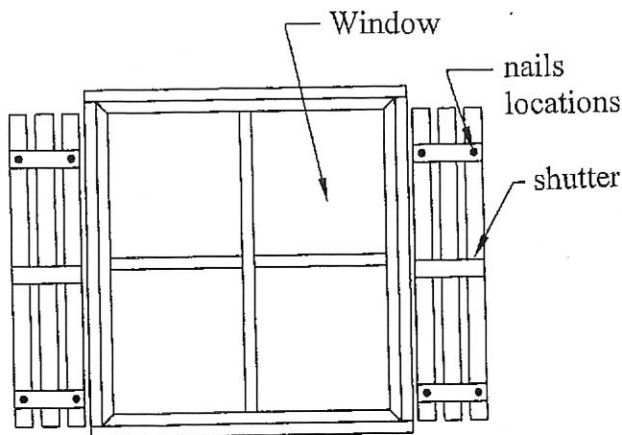
c. Solid Cedar Door

The solid cedar door is designed in such a way that the door can be mounted to open left or right. The T-hinges are attached to the face of the door. The door can be turned around so the hinges can be attached to the left or right door frame thus giving you the desired door swing. The hole has been made for the locking handset to be installed while the door frame hole for the strike plate has not been done. Please refer to the instructions included in the locking handset to complete the door frame hole and strike plate installation.

WINDOW ACCESSORIES

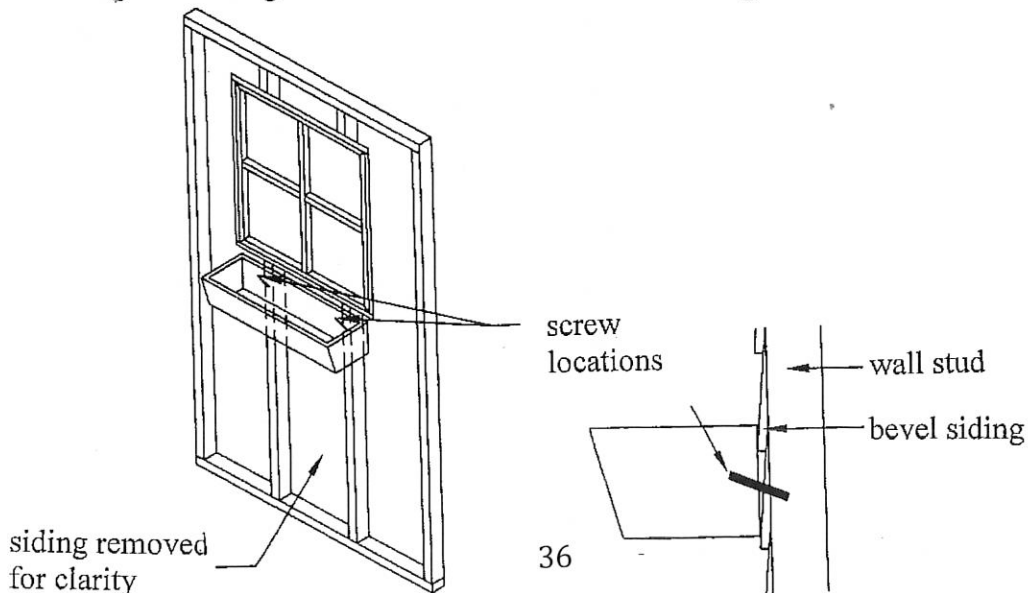
a. Window Shutters

Attach each shutter using 4- 1 3/4" finishing nails. Pre drill the pilot holes in the shutters with a 1/16" drill bit before mounting it on the window walls. See the diagram below for details.



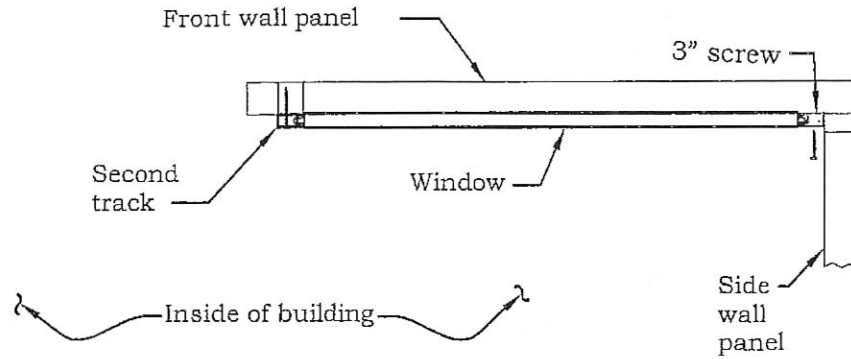
b. Planter Box

The planter boxes are to be fastened with 3" screws. The screws are to be applied through the siding and into the wall studs. See the diagram below for details.



OPTIONAL SLIDE DOWN WINDOW INSTALLATION DETAILS

Before installing the tracks be sure to identify the top and bottom ends. The top of the sliding window track is open ended. Install one of the tracks for the slide down window by using 3-3" screws. Then by using the slide down window as a guide, install the second track. Be sure to give a little extra space to allow the drop down window to slide easily. Use another 3-3" screws to affix the second track. See Figure DW-1 for details.



Plan View of Front Window

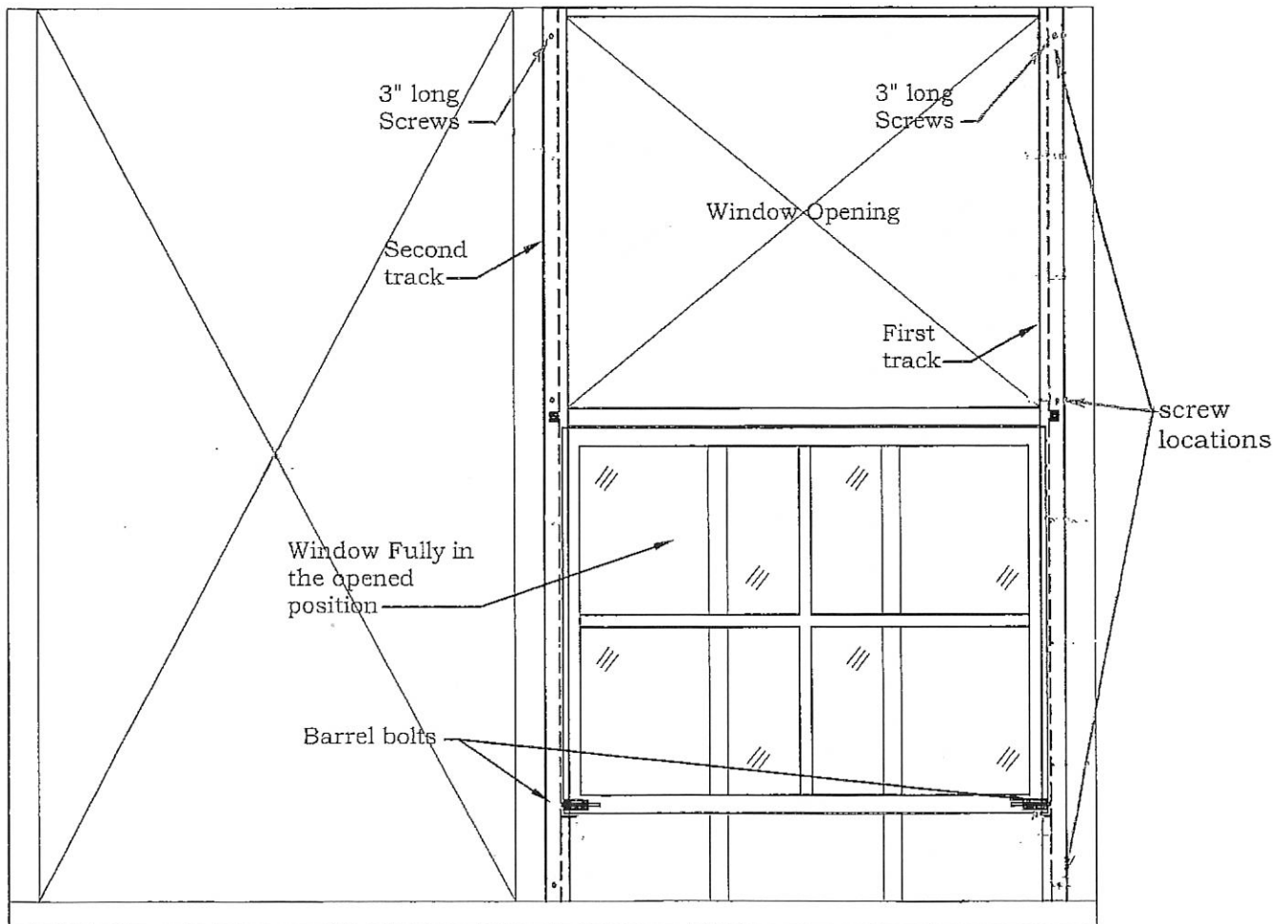


FIGURE DW-1
Slide down window track installation details 37

Now slide the window sill into place at the bottom of the window opening and into the gap on either side of the window opening. Do not affix into place until the sill supports have been installed.

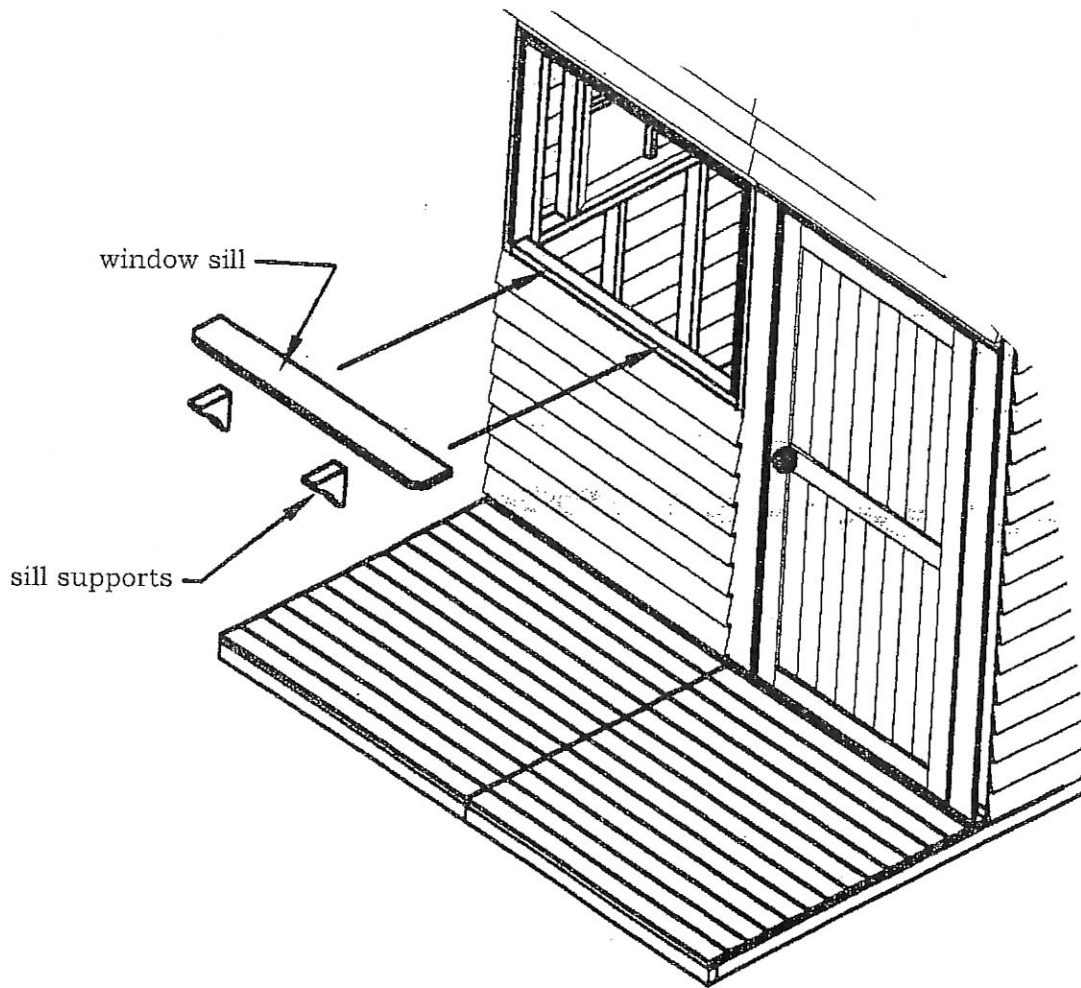
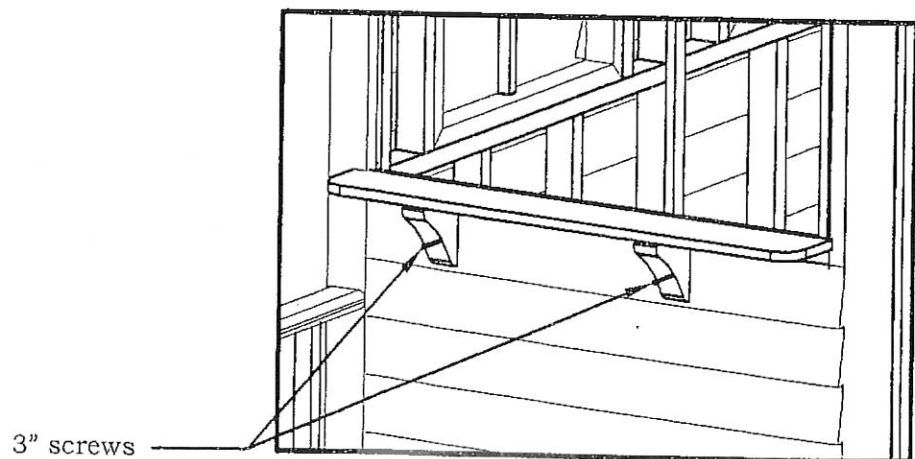


FIGURE DW-2
Window sill installation details



Install the two barrels bolts used the keep the slide down window in the closed position and the handle. Refer to Figure DW-3 for details.

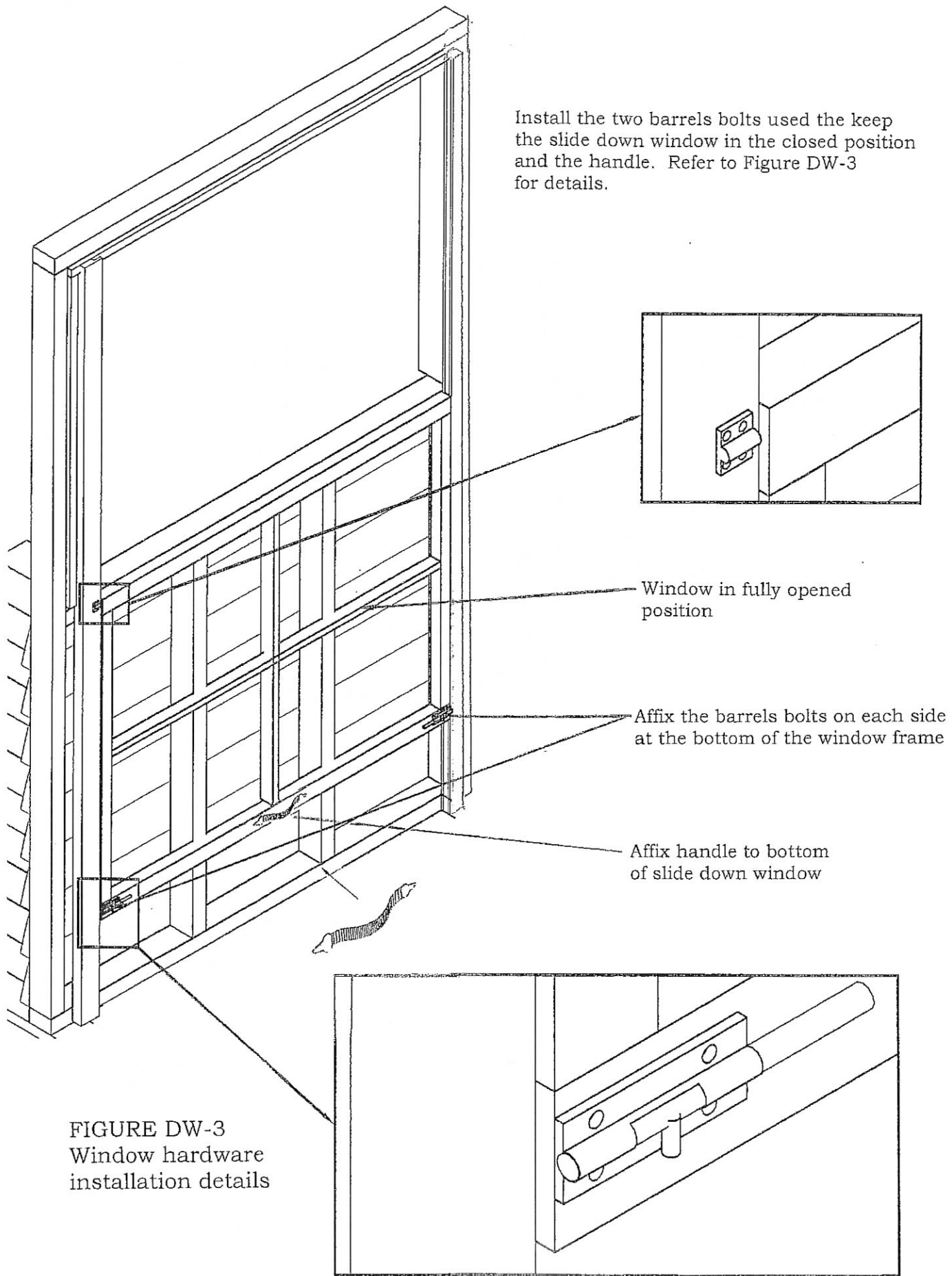
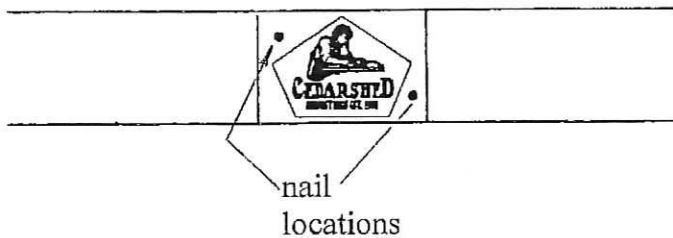


FIGURE DW-3
Window hardware
installation details

INSTALLATION OF CEDARSHED PLAQUE

The CedarShed rectangle plaque is to be applied to the ridge fascia while the pentagon plaques are to be affixed to the gable peak. The CedarShed logo pentagon will be affixed to the front of the shed while the blank one is to be affixed on the back. Use 2-1 3/4" finishing nails per plaque. Be sure to predrill the pilot holes in the plaques to prevent the plaque from splitting. Refer to the diagrams below for details.

Ridge Wall



Gable Wall



CONGRATULATIONS

You have successfully completed the construction of your CedarShed structure. Thank you for choosing a CEDARSHED product. We hope your entire experience was a rewarding one and you and your family will get many years of use and enjoyment.

By completing the questionnaire which was included with your instruction manuals you will receive a personalized (a 36 letter message) plaque free of charge you can mount on your shed or gazebo with pride. Don't forget to mail us a photo as it will be entered into our Best Photo competition.

Please if you require additional information or the questionnaire was not in your package please contact us at:

TOLL FREE CUSTOMER SUPPORT 1-800-830-8033 (US AND CANADA)

EMAIL: sales@cedarshed.com

Visit our website: www.cedarshed.com

MAILING ADDRESS

CS Manufacturing Inc.
PO BOX 1019
Vernon
BC V1T 6N2
Canada