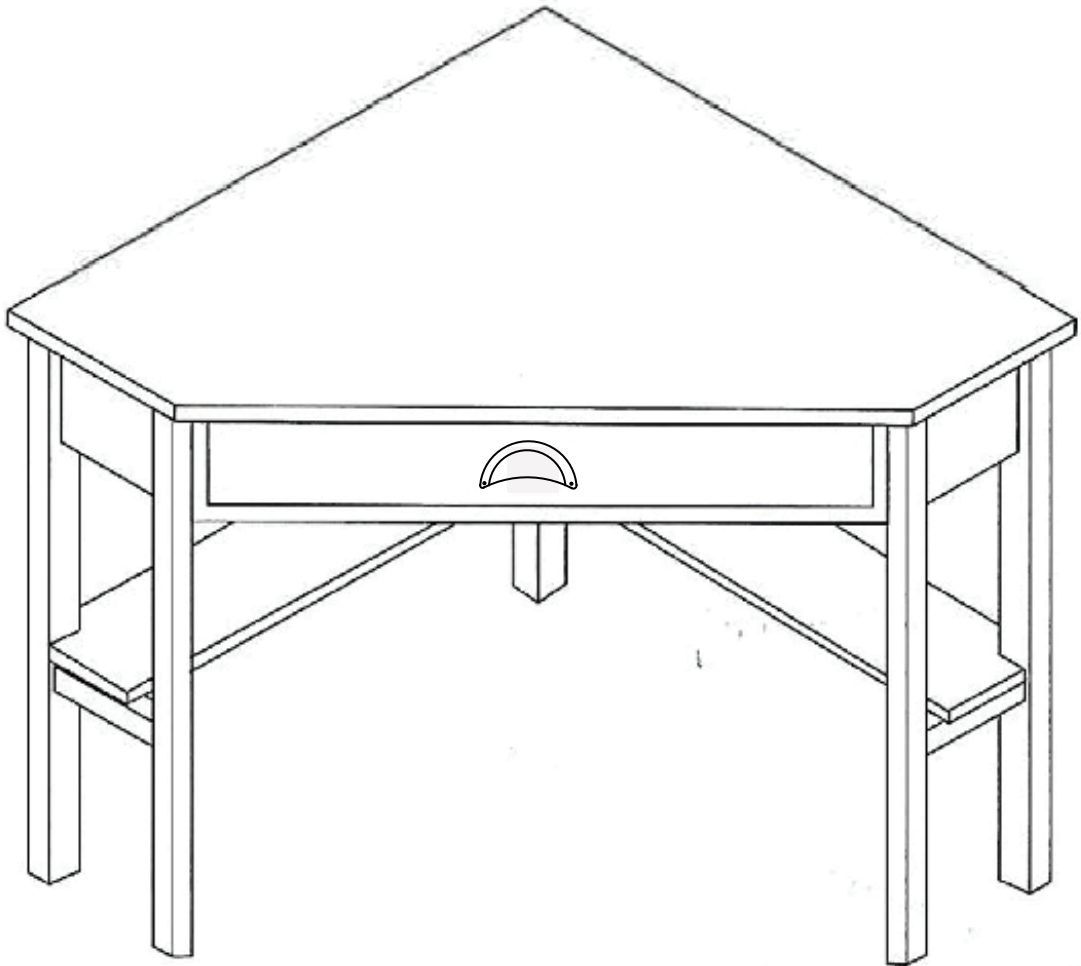




COSTWAY

SHOP EASY. SAVE MONEY.




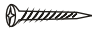


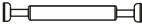




USER'S MANUAL

Corner Desk

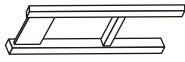
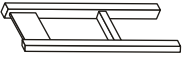

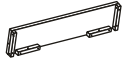

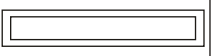



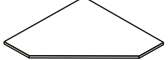




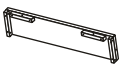
HW53866

PRODUCT ASSEMBLY

HARDWARE LIST

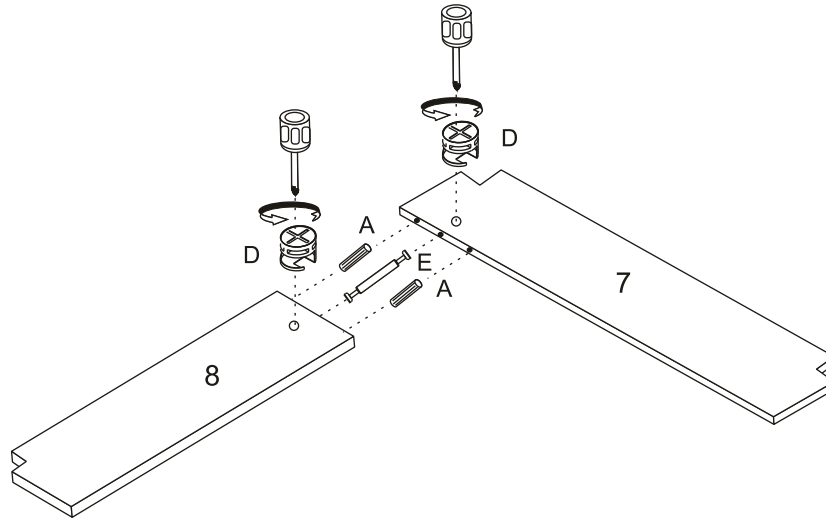
ITEM	DESCRIPTION	PART	QTY
A	Wood Dowel 5.8x30mm		14PC
B	Screw 4x30mm		18PC
C	Handle		1PC
D	Cam lock		2PC
E	Camlock Bolt		1PC
F	Screw 5x35mm		16PC
G	Plastic drawer glide		1PC
H	Screw 3x12mm		6PC
I	Glue		1PC

PARTS LIST

ITEM	DESCRIPTION	PART	QTY
1	Right side frame		1PC
2	Left side frame		1PC
3	Leg		1PC
4	Right Apron		1PC
5	Cross bar		1PC
6	Front frame		1PC
7	Long shelf		1PC
8	Short shelf		1PC
9	Wooden drawer glide		1PC
10	Top panel		1PC
11	Drawer frontpanel		1PC
12	Drawer side wall		2PCS
13	Drawer back panel		1PC
14	Drawer bottom panel		1PC
15	Left Apron		1PC

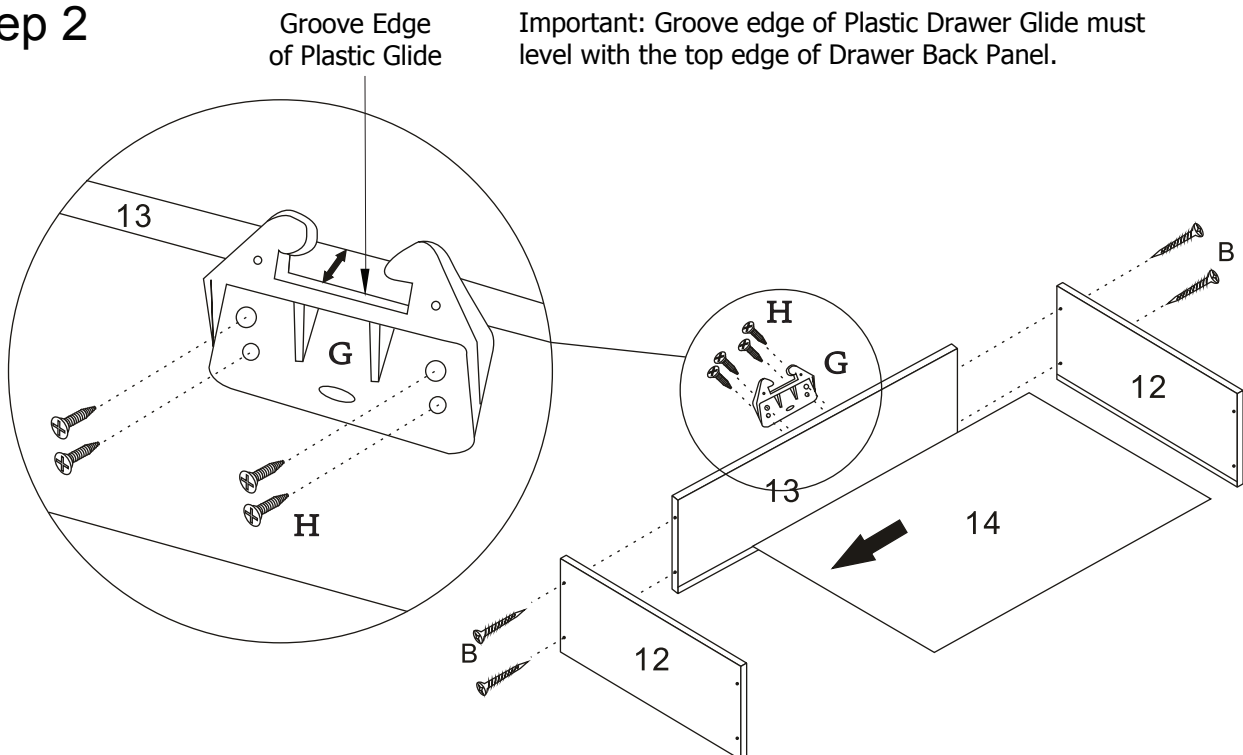
PRODUCT ASSEMBLY

Step 1



- Position Shelves (7 & 8) as shown.
- Apply a small amount of glue into the designated holes for Wood Dowel (A) on (7) and insert Wood Dowel (A).
- Insert double-headed Cam-bolt (E) into the designated hole between the Wood Dowels. Insert (E) until the bolt head is in the center of the hole.
- Insert Cam-lock with the "arrow" in-line with the Cam-bolt. Use a Flat-head Screwdriver to turn Cam-lock clockwise for a quarter turn (90 degree) to hold the Cam-bolt head in place. Do not tighten Cam-lock completely at this time.
- Attach (8) to (7) via the Wood Dowels and Cam-bolt installed on (7).
- Check for Cam-bolt head to be in center of hole on Panel (8). Install Cam-lock as in Step d) above.
- Tighten Cam-lock by turning clockwise another quarter to a half-turn (until Cam-lock is snug.). Do not over-tighten.

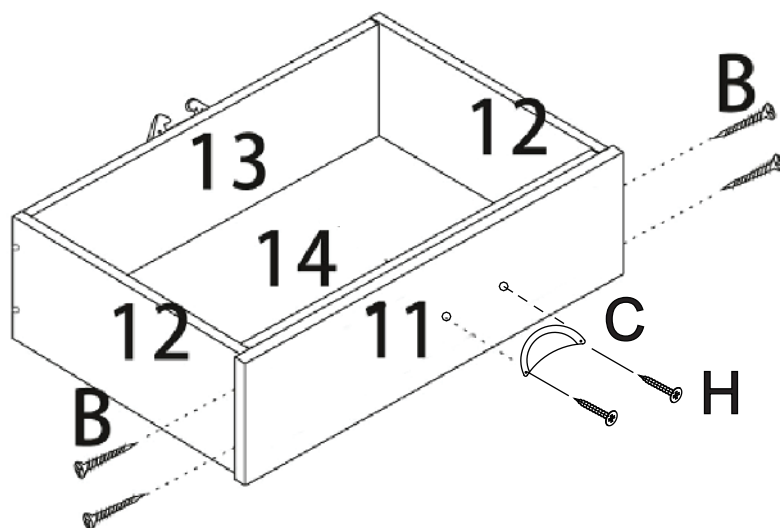
Step 2



- Fasten Drawer Plastic Glide (G) to Drawer Back Panel (13) with Screw (H).
(Important: Fasten TOP two screws first, and then BOTTOM two screws.)
- Assemble Drawer Side Walls (12), Drawer Back Panel (13) and Drawer Bottom Panel (14) by using screw (B).
Tighten all screws completely.

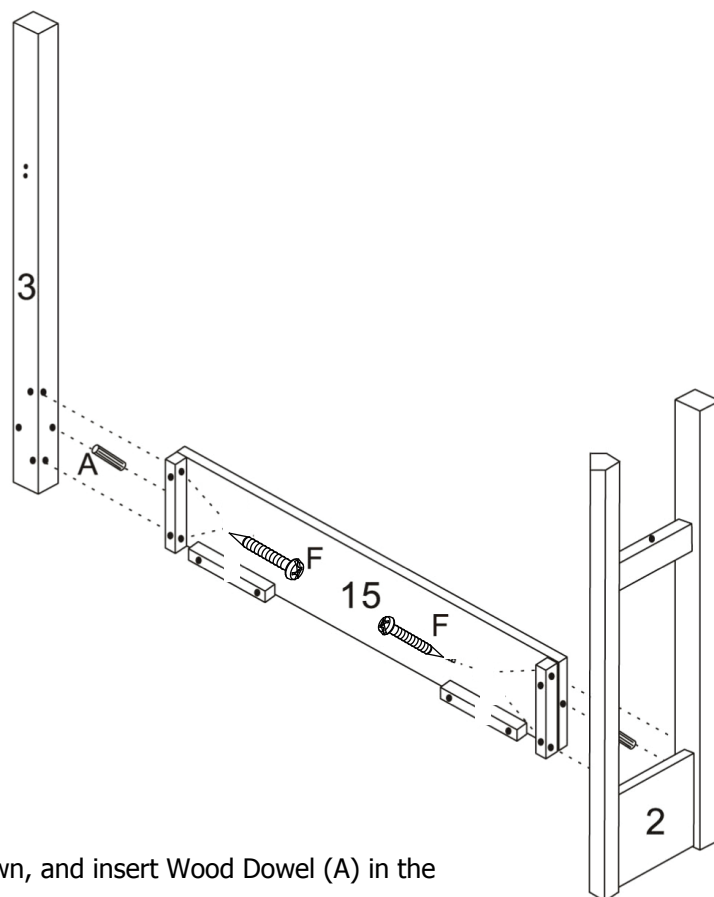
PRODUCT ASSEMBLY

Step 3



Assemble Drawer Front Panel (11) to drawer by using Screw (B). Attach Handle (C) to (11) by using Screw (H). Tighten all of the screws completely.

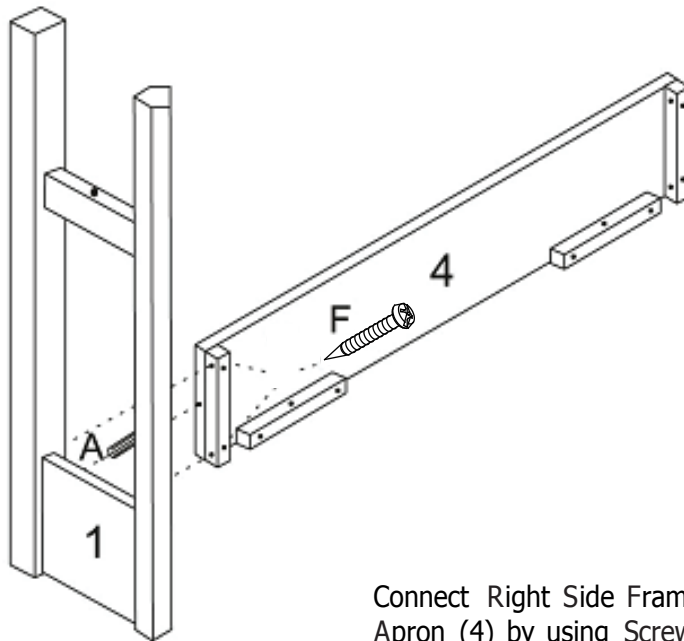
Step 4



- Position Leg (3) as shown, and insert Wood Dowel (A) in the designated hole.
- Attach Leg (3) to Left Apron (15). Loosely tighten with Screw (F).
- Insert Wood Dowel into designated hole on (15).
- Attach Left Side Frame (2) to (15). Loosely tighten with Screw (F).

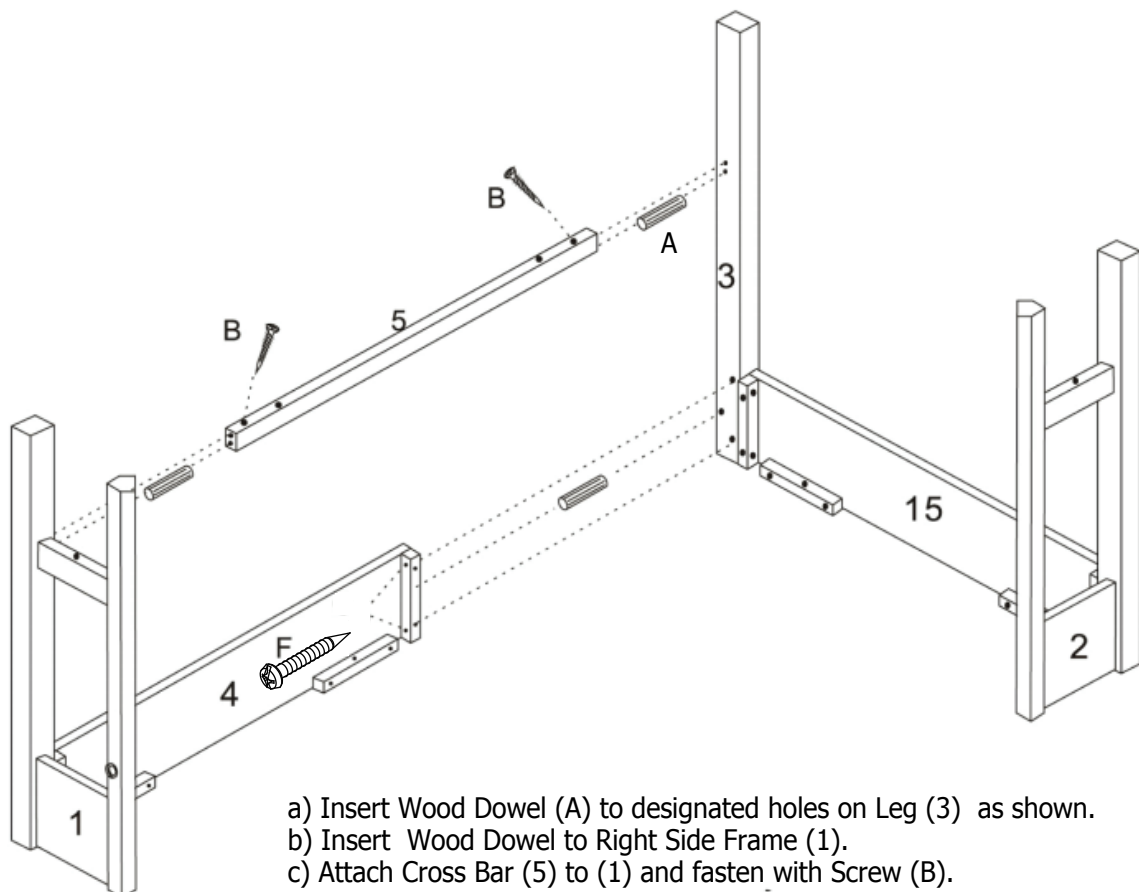
PRODUCT ASSEMBLY

Step 5



Connect Right Side Frame (1) to Right Apron (4) by using Screw (F).

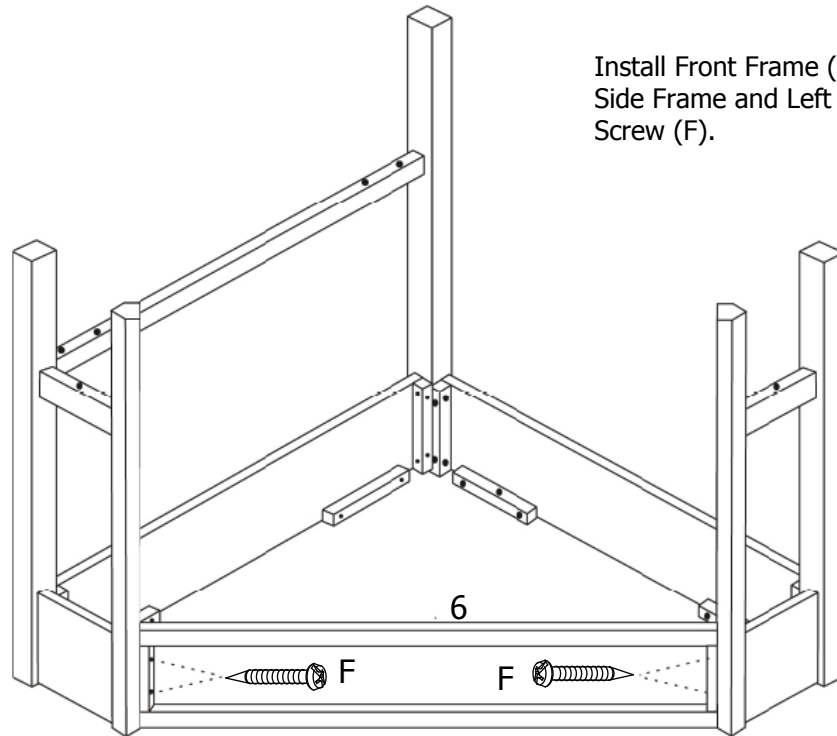
Step 6



- Insert Wood Dowel (A) to designated holes on Leg (3) as shown.
- Insert Wood Dowel to Right Side Frame (1).
- Attach Cross Bar (5) to (1) and fasten with Screw (B).
- Connect the Left Subassembly (15, 2 & Leg 3) to Cross Bar (5) and Right Apron (4) by means of Wood Dowels inserted in Step a).
- Fasten (5) to (3) using Screw (B) and (4) to (15) using Screw (F).

PRODUCT ASSEMBLY

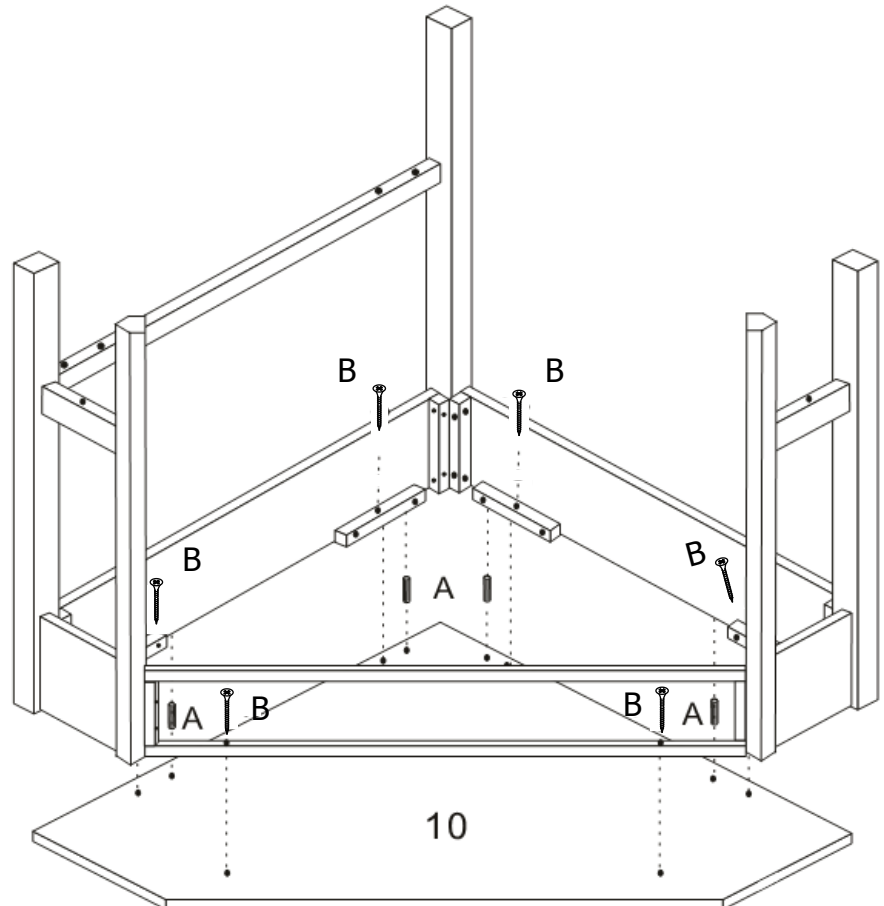
Step 7



Install Front Frame (6) between Right Side Frame and Left Side Frame using Screw (F).

Step 8

- Place Top Panel (10) bottom-side up on a surface dose not damage the exterior finish of (10).
- Insert Wood Dowel (A) into the designated holes as shown.
- With the help of another person, position and align table frame assembly from Step 7 to fit into the Wood Dowels.
- Identify the 6 pre-drilled screw hole locations and use Screw (B) to fasten Table Top (10) to table frame assembly.

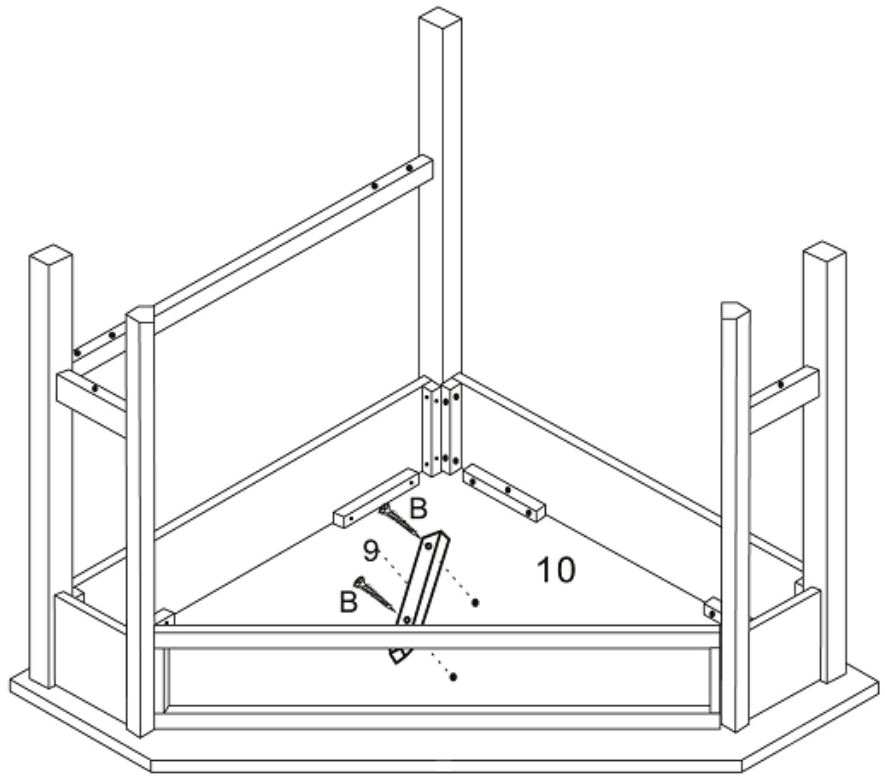


Note: Please use Screw (B - 4X30mm) to fix the Top Panel (10).

PRODUCT ASSEMBLY

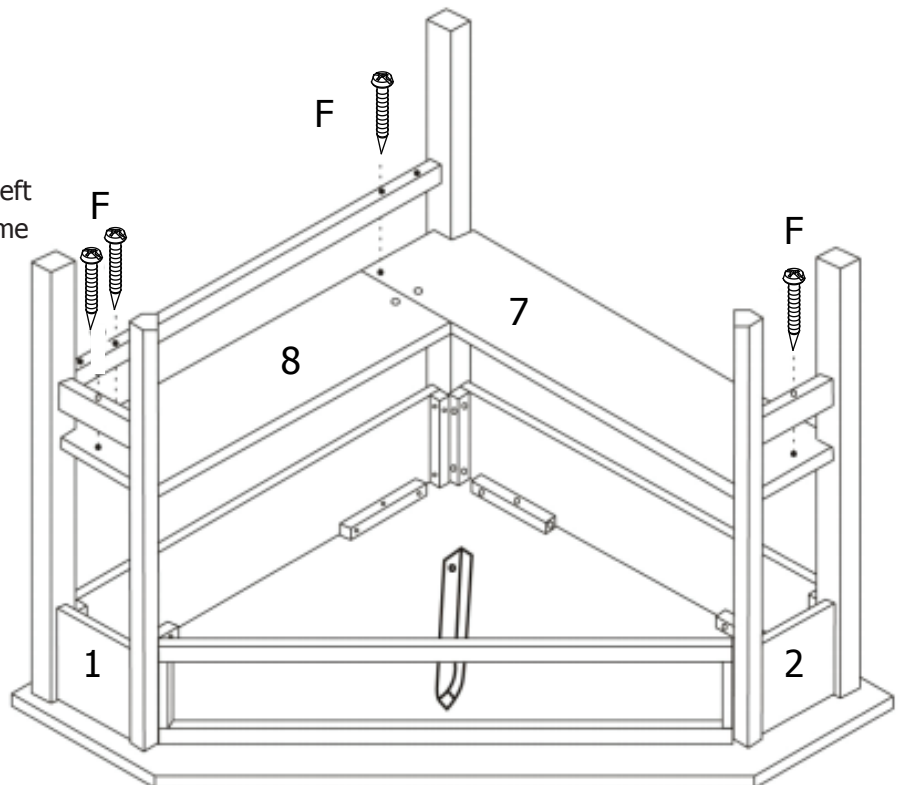
Step 9

- a) Identify pre-drilled holes for Wooden Drawer Glide (9) on bottom of (10)
- b) Position screw holes on (9) over pre-drilled holes on (10)
- c) Use Screw (B) to loosely attach (9) to (10). Fully tighten Screw (B) only when both screws are in place.

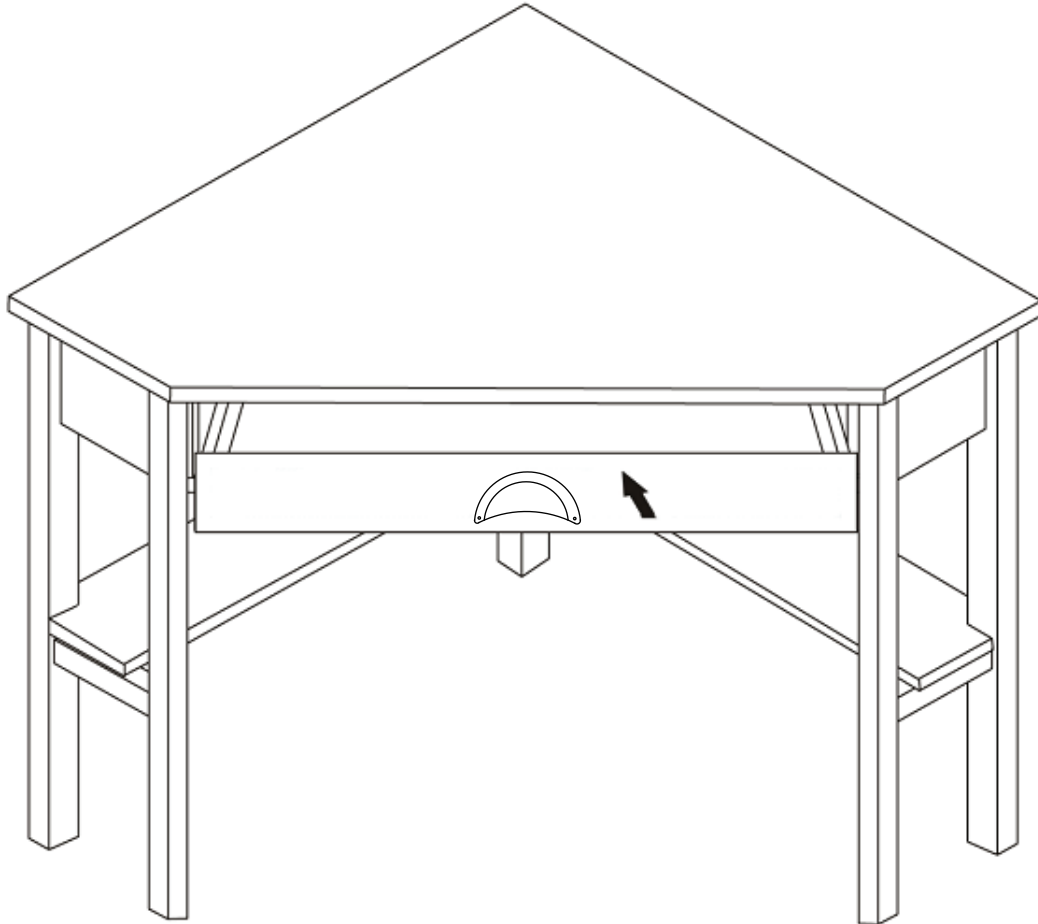


Step 10

- a) With the help of another person, position Shelves (7) & (8) (completed in Step 1) under and against Cross Bar (5) and rails of Left Side Frame (1) and Right Side Frame (2) as shown.
- b) Use Screw (F) to loosely fasten Shelves (7) & (8) to Cross Bar (5), and to the rails of Left Side Frame (1) and Right Side Frame (2).



Step 11



Position the Corner Table upright.

To insert Drawer:

- a) Position drawer directly in front of Front Frame opening.
- b) Tilt the drawer upward slightly and slide in the drawer at an angle to allow the Plastic Drawer Glide to connect into the groove of the Wooden Drawer Glide on the underside of Top Panel.
- c) Gently slide in the drawer horizontally.

ASSEMBLY OF THE CORNER DESK IS COMPLETED



TIPS :

Your suggestions and comments for Costway are really important to us!
We sincerely solicit you to go back to our shop and leave a good rating in just a simple click. It would be quite encouraging if you could kindly do so like below:

★★★★★ Great products so far

February 24, 2018

Great product so far. Fast delivery, easy setup, and working without any issues.

With your inspiring rating, Costway will be more consistent to offer you
EASY SHOPPING EXPERIENCE, GOOD PRODUCTS and EFFICIENT SERVICE!

US office:Fontana

UK office:Ipswich

