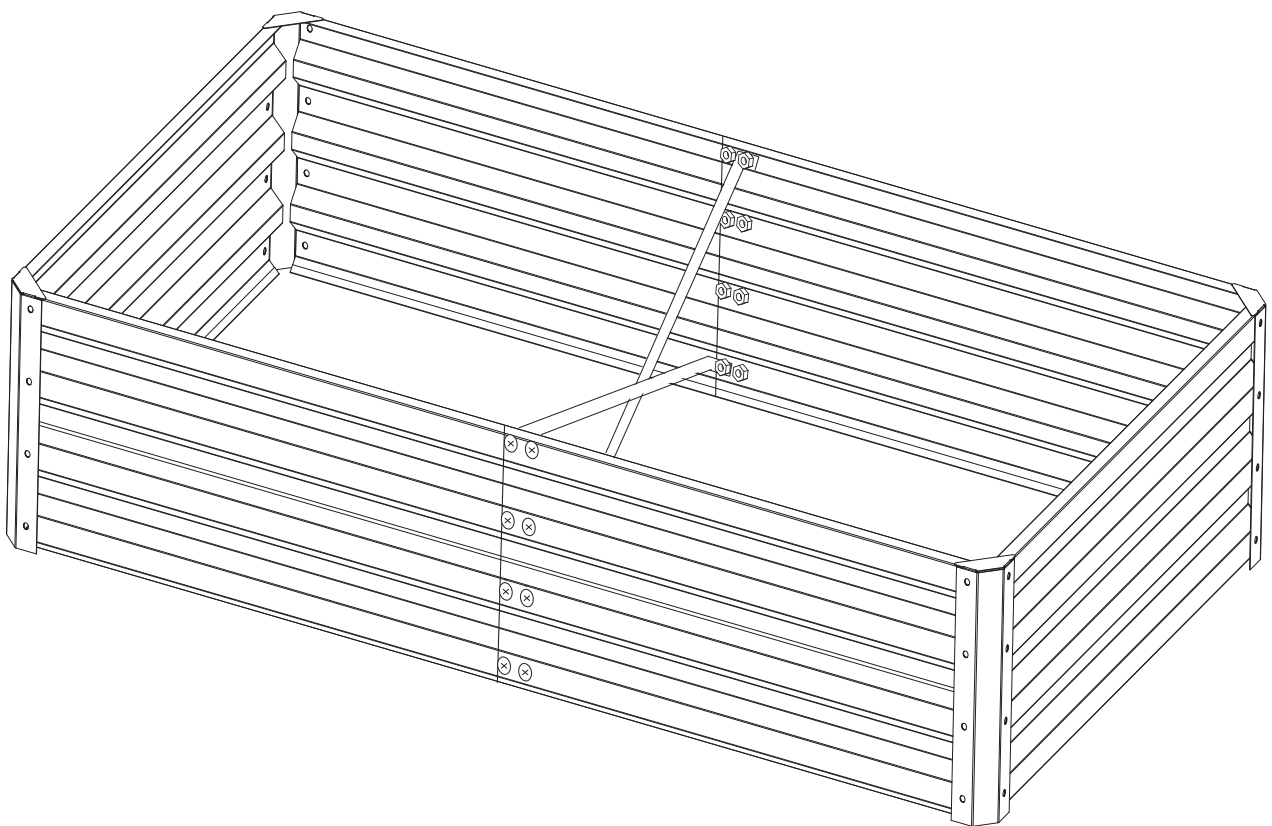


Planter Raised Beds Instruction

If you have any questions about the planter raised beds, please feel free to contact us.



NOTICE

PLEASE RETAIN THESE INSTRUCTIONS FOR FUTURE REFERENCE.

Dear Customer,

Thank you for shopping with us!

When you receive the product, please make sure that all the parts are included.

Then please browse the entire installation manual before assembling.

If any problem occurs unsatisfactorily as follows :

A. The outer box is damaged

B. The product is damaged / bent / cracked while you open the box

C. The parts / accessories / assembly tools are missing

D. The product is hard to assemble

E. The instructions are not clear and can not be referred

F. The product has functional problems

G. If you have any questions.

Please contact us as soon as possible and we will do our best to solve the problem for you.

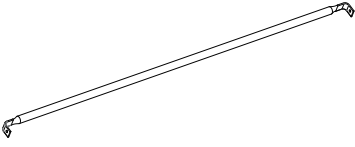
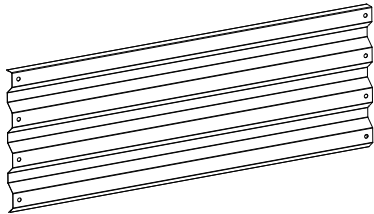
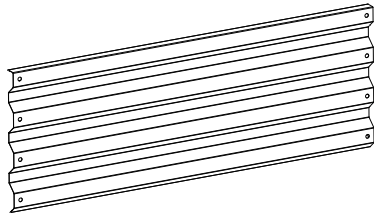
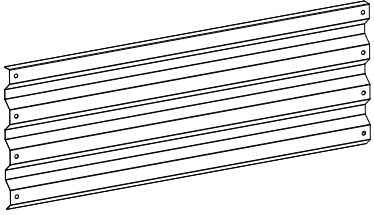
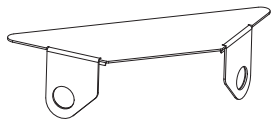



SAFETY NOTES

- Handle components with care due to sharp corners.
- Beware of the warning label of any chemicals that may cause corrosion if used in the garden bed.

CARE INSTRUCTIONS

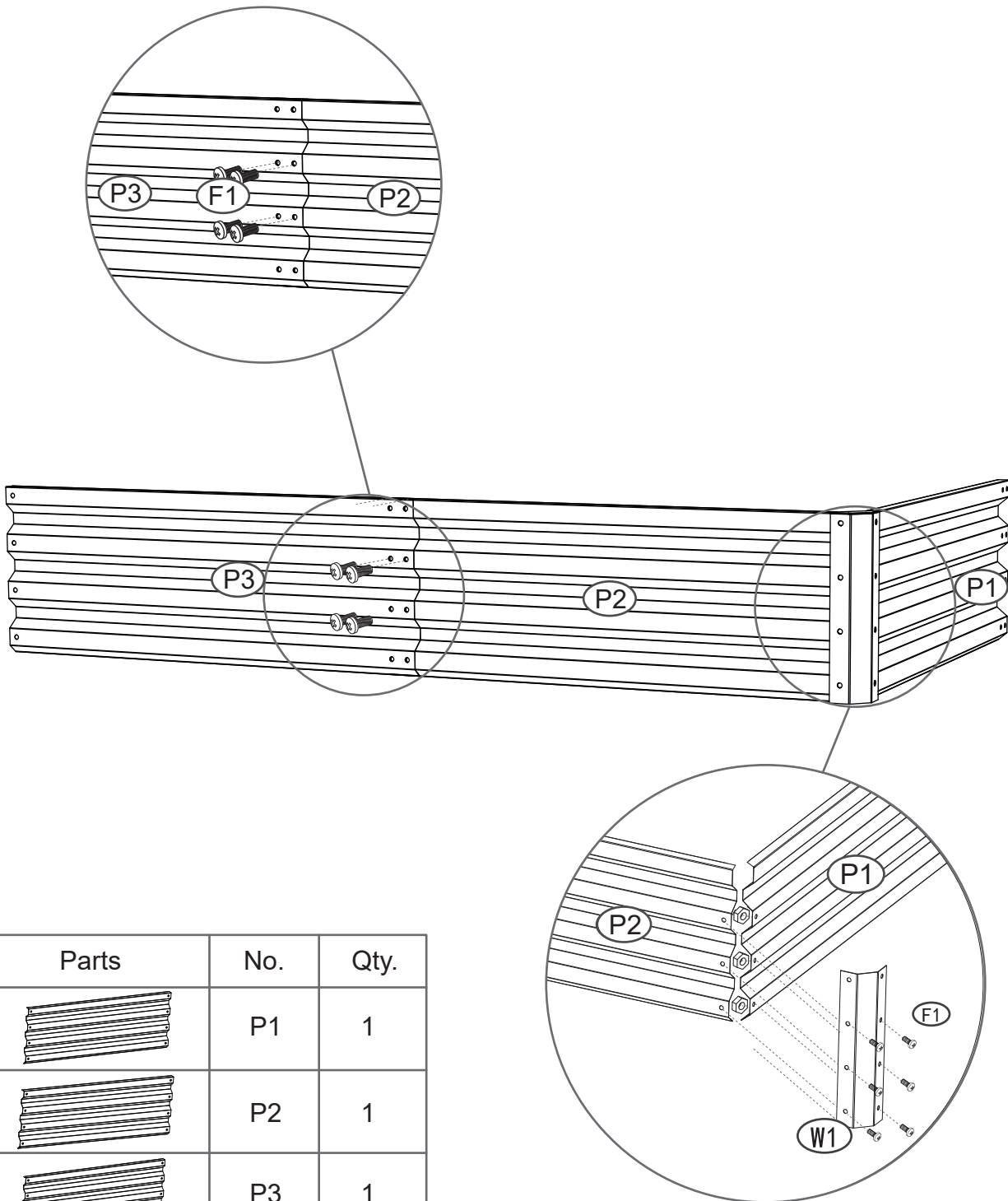
- Wear gloves during assembly.
- Assemble the unit on a level surface.
- The plastic film is used to protect the panel and can be torn off before installation.

PARTS

		
<p>Middle support bar B1 *2</p>	<p>Both ends of the side panel P1 *2</p>	<p>Front and rear baffle P2 *2</p>
		
<p>Front and rear baffle P3 *2</p>	<p>Kok JM5 *4</p>	<p>Four side connecting plate W1 *4</p>
		
<p>Screw package F1 M8*10MM *48</p>	<p>Gloves 1 *1</p>	

STEP 1

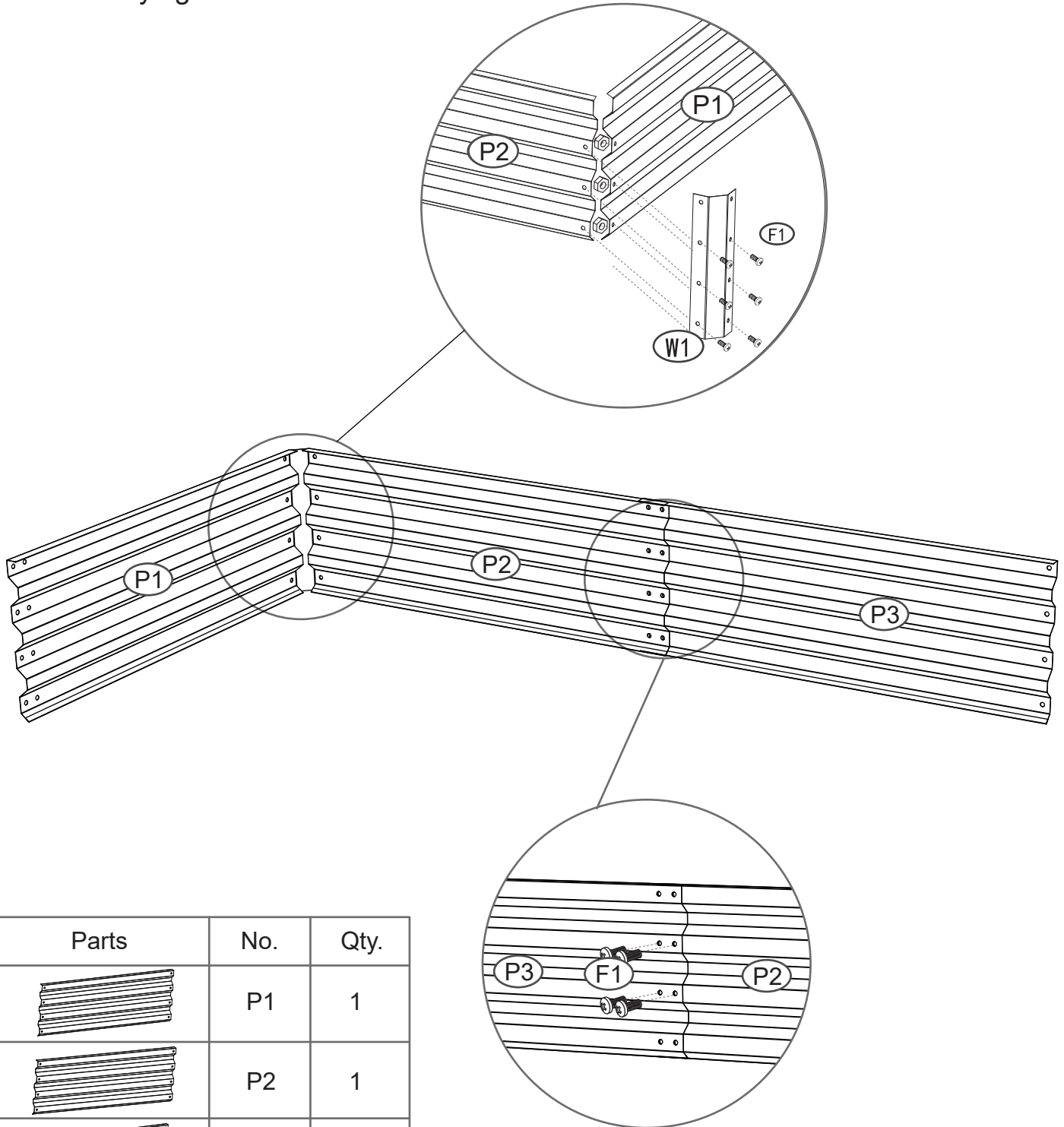
- Put on gloves, take screws and nuts to connect P1 and P2 with W1, outside P3 at the junction of P2 and P3.
- Do not fully tighten the screws at first

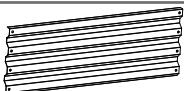






Parts	No.	Qty.
	P1	1
	P2	1
	P3	1
	W1	1
	F1	10

STEP 2

- Put on gloves, take screws and nuts to connect P1 and P2 with W1, outside P3 at the junction of P2 and P3.
- Do not fully tighten the screws at first

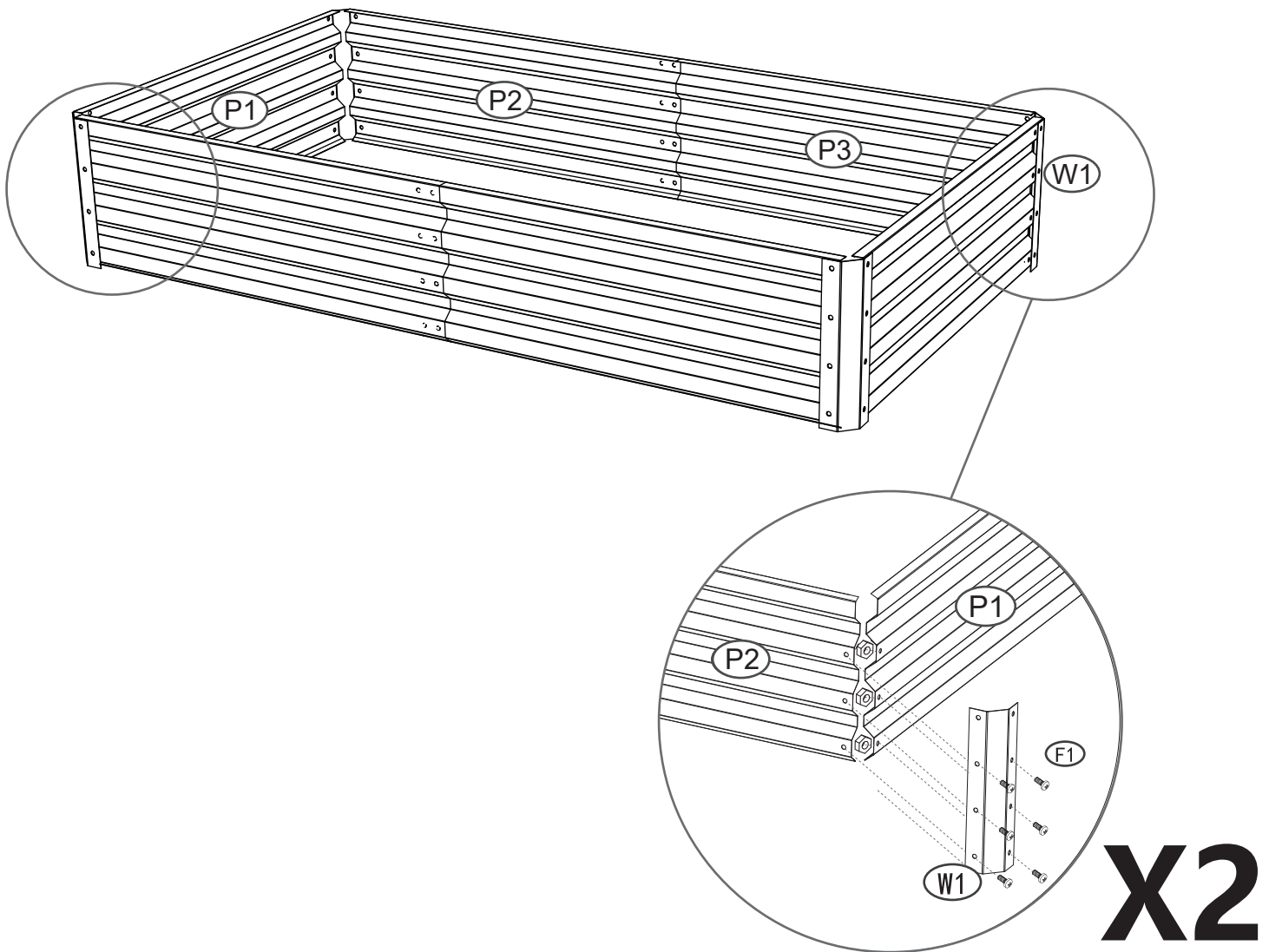


Parts	No.	Qty.
	P1	1
	P2	1
	P3	1
	W1	1
	F1	10



PRODUCT ASSEMBLY

STEP 3

- Connect P1 and P3 using W1.

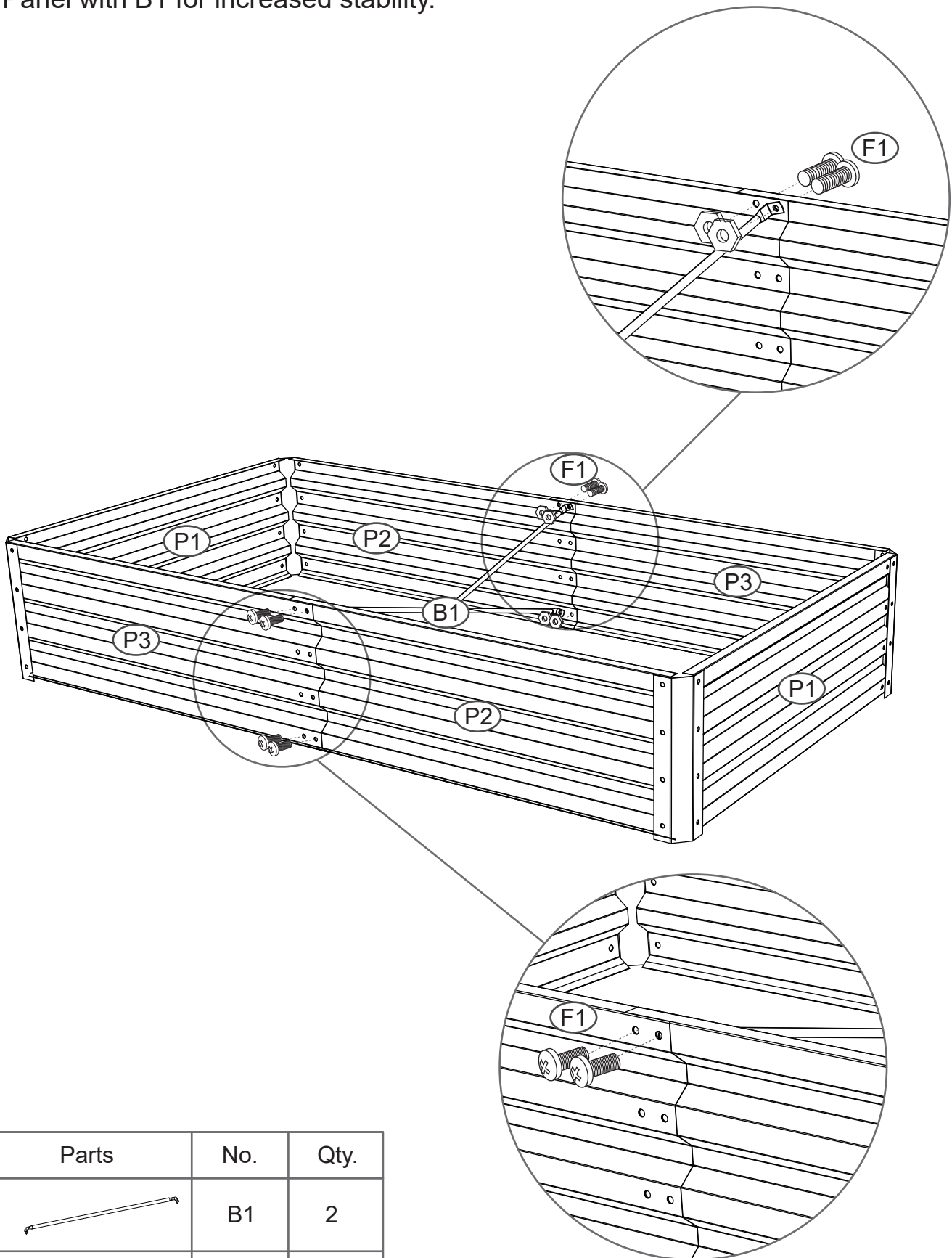




X2

Parts	No.	Qty.
	W1	2
	F1	12

STEP 4

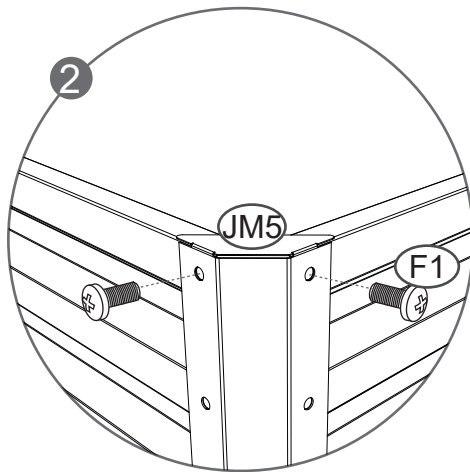
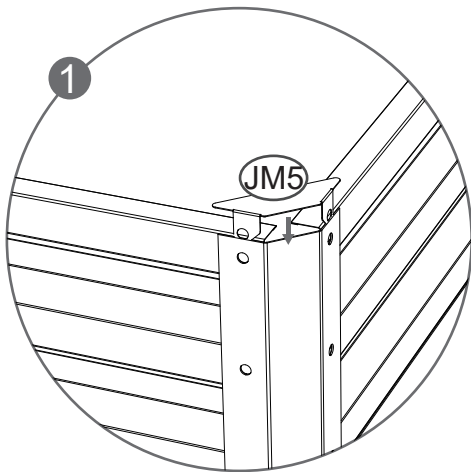
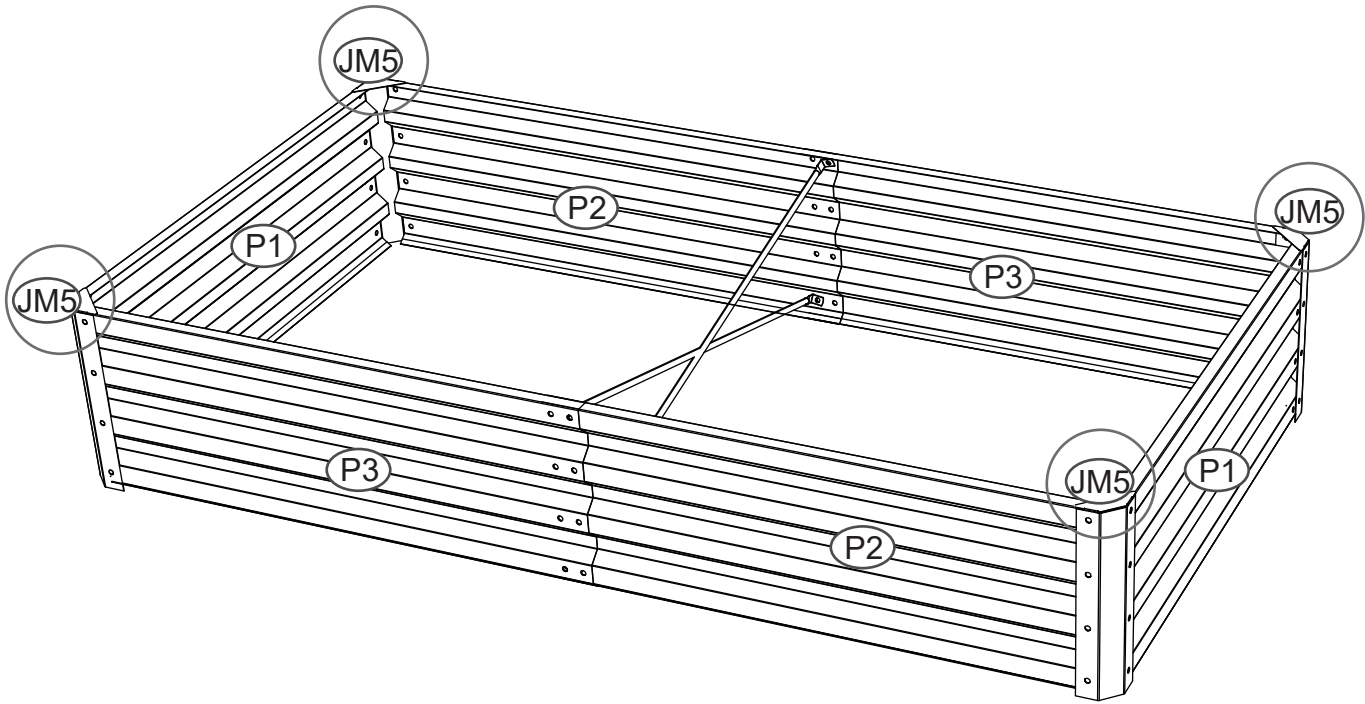
- Connect P2 and P3 with B1 and cross connect both sides.
- Panel with B1 for increased stability.





Parts	No.	Qty.
	B1	2
	F1	8

STEP 5

- **Note:** The hole location for JM5 is placed between the panel and W1.
- Tighten all screws before filling with soil. Position the garden bed in the desired final location.



X4

Parts	No.	Qty.
	JM5	4
	F1	8