

GENERAL®

12:1 WIDE-RANGE INFRARED THERMOMETER WITH STAR BURST LASER TARGETING

USER'S MANUAL



Star Burst Laser
Targeting

IRT657

Please read this manual carefully and thoroughly before using this product.

TABLE OF CONTENTS

Introduction	3 – 4
Key Features	5
What's in the Box	5
Product Overview	5 – 7
Setup Instructions	7
Installing the Battery	7
Operating Instructions	8 – 11
How To Make Accurate IR Measurements	9 – 11
Specifications	12
Maintenance and Troubleshooting Tips	13
Warranty Information	14
Return for Repair Policy	15
Manual del Usuario	16 – 30
Manuel de L'Utilisateur	31 – 45

INTRODUCTION

Thank you for purchasing General Tools & Instruments' IRT657 12:1 Wide Range Infrared Thermometer with Star Burst Laser Targeting. Please read this user's manual carefully and thoroughly before using the thermometer.

The IRT657 is a compact, non-contact (infrared) thermometer with a 12:1 distance-to-spot (D:S) ratio and a wide measurement range of -40° to 1076°F (-40° to 580°C). These two key specifications make the IRT657 ideal for various applications, a few of which are listed below.

Using this IR thermometer, the temperature of a target can easily be measured from a distance. This makes it possible to safely measure the temperature of very hot or cold surfaces, hard-to-reach objects and toxic substances.

The IRT657 is especially suitable for the following four classes of applications:

ELECTRICAL

- Checking the temperature of high-voltage equipment and transformers from a safe distance
- Detecting excessive heating of motors, fuses, wires, insulators, connectors, and switches
- Pinpointing hot spots in electrical connections and bearings
- Verifying temperatures of induction-heated parts

HVAC/R

- Monitoring food processing and storage temperatures
- Checking heating, AC and refrigeration system components
- Taking the temperature of forced hot air supply and return vents
- Testing chillers, steam traps and heat exchangers

INDUSTRIAL/MRO

- Making temperature measurements on equipment during maintenance, repair and operations (MRO)
- Performance testing of motors, turbomachinery and boilers, including identifying overheated bearings, couplings and conveyor belts
- Simplifying jobs such as laying asphalt or concrete and checking fire protection systems

AUTOMOTIVE

- Detecting overheated electrical components, connectors and wiring harnesses
- Pinpointing radiator core restrictions
- Testing temperature sensors, catalytic converters and exhaust systems
- Measuring the temperature of oil, batteries, A/C systems and tire treads

The IRT657 has a backlit LCD and is powered by a single 9V battery. Thanks to the instrument's auto power off feature, the battery may last up to 50 hours when the backlight and laser pointer are turned off.

CAUTION!

The IRT657 is a Class 3R laser product that emits less than 3mW of radiation. Avoid looking directly at the laser pointer. U.S. law prohibits pointing a laser beam at aircraft; doing so is punishable by a fine of up to \$10,000 and imprisonment.

KEY FEATURES

- Measurement range of -40° to 1076°F (-40° to 580°C)
- 12:1 distance-to-spot (D:S) ratio
- Emissivity fixed at 0.95
- Measurements accurate within $\pm 3^{\circ}\text{F}$ (2°C) or $\pm 2\%$ of reading (whichever is greater) for readings above 32°F (0°C); within $\pm 5^{\circ}\text{F}$ (3°C) or $\pm 2\%$ of reading (whichever is greater) for readings below 32°F (0°C)
- $^{\circ}\text{F}$ or $^{\circ}\text{C}$ unit selectable on front panel
- Large (1.6 in. diagonal) backlit LCD
- Low ($<30\text{mA}$) power consumption when laser and backlight are off; extends battery life
- Meets CE, RoHS and U.S. FDA standards

CAUTION: Use of controls or adjustments or performance of procedures other than those specified herein may result in dangerous radiation exposure.

WHAT'S IN THE BOX



The IRT657 comes in a blister pack along with a soft carrying case, a 9V battery and this user's manual.

PRODUCT OVERVIEW

Figure 1 shows all of the controls, indicators and physical features of the IRT657. Figure 2 shows most of the icons and text that may appear on the display. Familiarize yourself with the locations and functions of these controls and the meanings of these display icons before moving on to the setup and operating instructions.

Fig 1. The IRT657's controls, indicators and physical features



- A. Laser Pointer
- B. Infrared Sensor/Lens
- C. Measurement Trigger
- D. Battery Compartment
- E. Backlit Liquid-Crystal Display
- F.  Button (laser on or off)
- G.  Button (backlight on or off)
- H. **°C/°F** Button (temperature unit selection)
- I. Laser Identification/Certification/Warning/Safety Labels (on left side); see below



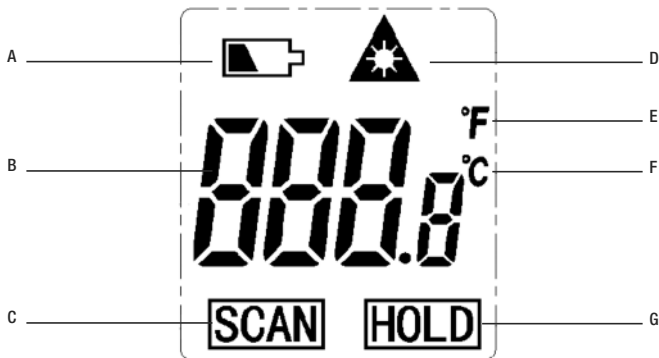


Fig. 2. All possible display indications

- A. Low battery
- B. Measured temperature
- C. Measurement in progress
- D. Laser on
- E. Fahrenheit units selected
- F. Celsius units selected
- G. Data being held (for 7 seconds, max, after trigger is released)

SETUP INSTRUCTIONS

INSTALLING THE BATTERY

Open the battery compartment (callout D of Fig. 1) by pulling its cover away from the grip. Then plug the 9V battery that comes with the IRT657 into the wired socket inside the compartment. The terminals of the battery and the socket mate in only one way, with the smaller male terminal plugging into the larger female terminal. Close the battery compartment by snapping it shut.


OPERATING INSTRUCTIONS

To make a quick temperature measurement, squeeze the **measurement** trigger on the front of the grip and hold it for at least one second while pointing the laser at the target. Note that the **SCAN** icon appears along with the measured temperature while you are squeezing the trigger. When you release the trigger, the **SCAN** icon disappears and is replaced by the **HOLD** icon for no more than seven seconds. After seven seconds, the IRT657's auto power off function kicks in and shuts off the thermometer to prevent battery discharge.

The IRT657 will not make accurate measurements if there is glass or plastic between the thermometer and the target.

To change the IRT657's default measurement unit from degrees Celsius (°C) to degrees Fahrenheit (°F), press the **°C/°F** button below the display at right to make the icon **°F** appear on the right side of the display. To return to Celsius units, press the **°C/°F** button again.

To turn off the backlight, press the  button (callout G of Fig. 1) below the display at left.

To turn off the laser pointer, press the  button (callout F of Fig. 1) below the center of the display.

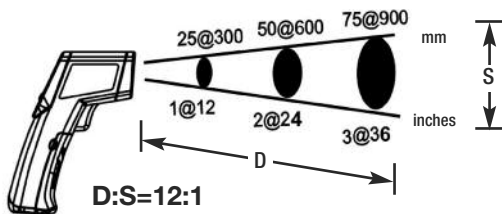


Fig. 3. The IRT657's thermometer's field of view

HOW TO MAKE ACCURATE IR MEASUREMENTS

The IRT657 has a distance-to-spot (D:S) ratio of 12:1. This means that the target area (spot) whose infrared radiation (temperature) is being measured increases in diameter by 1 inch for every 12 inches you move *away* from the target. Conversely, the diameter of the target area measured *decreases* by 1 inch for every 12 inches you move *closer* to the target.

All IR thermometers (IRTs), including the IRT657, take the *average* temperature of all objects within a circular *target area (spot)*. Although the distance “D” in the D:S ratio is defined as a linear value and the “S” defines the diameter of the spot (see Fig. 3), the critical parameter is the *target area*. Depending on the distance to the target (the object whose temperature you want to measure), the target area may include both the target and background objects near or behind the thermometer's field of view, which defines the target area or spot.

To explain the relationship between D:S ratio and measurement accuracy, consider how the IRT657 would be used to measure the temperature of a small AC motor suspected of overheating. The motor measures approximately 1 ft x 1 ft, so it has an area of 1 ft². If the IRT657 is used to make the measurement from 24 ft. away, the reading will have a large error. At this distance, the target area is 2 ft². Therefore, the IRT657 will measure not just the temperature of the motor, but also the temperature of the physical surroundings in its field of view, and average the two readings.

How inaccurate would the measurement be? If the motor's operating temperature is 200°F and the background temperature is 75°F, and the motor's area is half the target area at the measurement distance, the following equation gives the average temperature of the target area:

$$T_{avg} = (T_{motor} + T_{background}) \div 2$$

Solving for T_{avg} , we get $(200 + 75) \div 2$ or 137.5°F., which is what the IRT657 would display. In other words, trying to measure the temperature of the motor from 24 ft. away introduced an error of $(200-137.5) \div 200$, or 31% into the measurement. In this case, the measured temperature was 31% below the motor's actual temperature because the background is cooler than the motor.

To eliminate measurement error, the IRT must be moved close enough so the motor is the only object in the target area (see Fig. 4). For a motor with an area of 1 ft² and using an IRT with a D:S ratio of 12:1, the optimum measurement distance would be 12 ft.

For best results, the targeted area (spot) should fall within the target's boundaries, as in Fig. 3

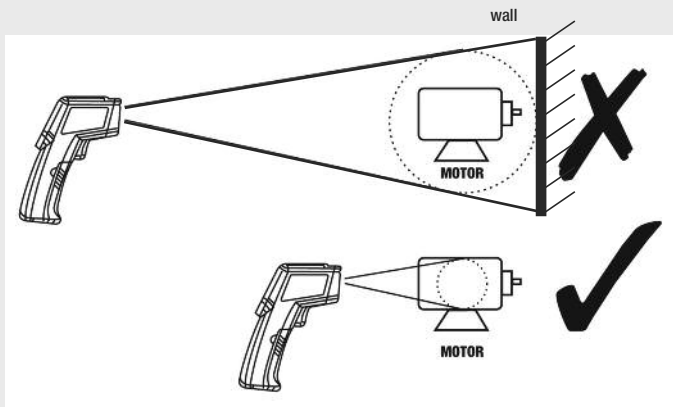


Fig. 4. Measuring a motor's temperature from the wrong (top) and right (bottom) distance

SPECIFICATIONS


Measurement Range	-40° to 1076°F (-40° to 580°C)
Distance-To-Spot (D:S) Ratio	12:1
Measurement Accuracy	±3°F (2°C) or ±2% of reading (whichever is greater) for readings above 32°F (0°C); within ±5°F (3°C) or ±2% of reading (whichever is greater) for readings below 32°F (0°C)
Measurement Repeatability	1% of reading or 1°
Response Time	250 msec for 95% response
Emissivity	Fixed at 0.95
Laser Class/Power/Wavelength	Class 3R<3mW/655nm
Functions Controllable from Front Panel	°F/°C temperature unit, backlight on/off, laser pointer on/off
Auto Power Off Trigger	Inactivity for 7 seconds
Current Consumption	<30mA, max
Battery Life	50 hours (typical), w/backlight and laser pointer off
Operating Temperature	32° to 104°F (0° to 40°C) @ <75% relative humidity (RH)
Storage Temperature	-4° to 140°F (-20° to 60°C) @<85% RH
Power Source	One 9V battery
Dimensions	6.9 x 3.6 x 1.5 in. (175.3 x 92.1 x 38.1mm)
Weight	5.93 oz. (168g)

MAINTENANCE AND TROUBLESHOOTING TIPS

After subjecting the thermometer to a sudden change in ambient temperature, you must wait 30 minutes before measurements are within specifications.

The infrared lens on the front of the unit is the IRT657's most sensitive component. To clean the lens, first use compressed air to blow off loose particles and then brush any remaining debris away with a camel's hair brush. If necessary, carefully wipe the lens with a cotton swab moistened with water. NEVER use a solvent, such as alcohol, to clean the lens.

To clean the thermometer's housing, use soap and water and a sponge or soft cloth.

When the  icon appears in the upper left corner of the display, it's time to change the thermometer's 9V battery. To do so, refer to the Setup Instructions on p. 7.

If the text "OH—" or "OL" appears on the display, the target's temperature is outside the measurement range of the IRT657.

If a temperature reading is far different than the known temperature of a target, the likely reason is either:

- The thermometer is at the wrong distance from the target (see "HOW TO MAKE ACCURATE IR MEASUREMENTS" on p. 9).
- The target's emissivity is well below the IRT657's fixed setting of 0.95.

WARRANTY INFORMATION

General Tools & Instruments' (General's) IRT657 12:1 Wide-Range Infrared Thermometer with Star Burst Laser Targeting is warranted to the original purchaser to be free from defects in material and workmanship for a period of one year. Subject to certain restrictions, General will repair or replace this instrument if, after examination, the company determines it to be defective in material or workmanship. The warranty period begins on the date of purchase. You are encouraged to register your product online. General will extend your warranty an additional 60 days if you register at [www.generaltools.com/Product Registry](http://www.generaltools.com/ProductRegistry).

This warranty does not apply to damages that General determines to be from an attempted repair by non-authorized personnel or misuse, alterations, normal wear and tear, or accidental damage. The defective unit must be returned to General Tools & Instruments or to a General-authorized service center, freight prepaid and insured.

Acceptance of the exclusive repair and replacement remedies described herein is a condition of the contract for purchase of this product. In no event shall General be liable for any incidental, special, consequential or punitive damages, or for any cost, attorneys' fees, expenses, or losses alleged to be a consequence of any damage due to failure of, or defect in any product including, but not limited to, any claims for loss of profits.

Register now at www.generaltools.com/ProductRegistry to receive a 60-day extension to your warranty.

RETURN FOR REPAIR POLICY

Every effort has been made to provide you with a reliable product of superior quality. However, in the event your instrument requires repair, please contact our Customer Service to obtain an RGA (Return Goods Authorization) number before forwarding the unit via prepaid freight to the attention of our Service Center at this address:

General Tools & Instruments
75 Seaview Drive
Secaucus, NJ 07094
212-431-6100

Remember to include a copy of your proof of purchase, your return address, and your phone number and/or e-mail address.



TERMÓMETRO INFRARROJO DE AMPLIO ESPECTRO 12:1 CON SELECTOR DE OBJETIVOS LÁSER Y SEPARADOR EN ESTRELLA

MANUAL DEL USUARIO



Selector de objetivos
láser y separador
en estrella

IRT657

Por favor lea esta guía con atención y por completo antes de utilizar éste aparato.

CONTENIDO

INTRODUCCIÓN	18 – 20
CARACTERÍSTICAS PRINCIPALES	20
QUE HAY EN LA CAJA	21
VISTA GENERAL DEL PRODUCTO	21 – 22
INSTRUCCIONES PARA EL AJUSTE	22
INSTALACIÓN DE LA BATERÍA	22
INSTRUCCIONES DE FUNCIONAMIENTO	23 – 26
COMO EFECTUAR MEDICIONES IR CON PRECISIÓN	24 – 26
ESPECIFICACIONES	27 – 28
CONSEJOS DE MANTENIMIENTO Y DE REPARACIÓN DE FALLOS	28
INFORMACIÓN SOBRE LA GARANTÍA	29
PROCEDIMIENTO PARA RETORNO Y REPARACIÓN ..	30

INTRODUCCIÓN

Gracias por preferir el termómetro infrarrojo de amplio espectro 12:1 con selector de objetivo láser y separador en estrella IRT657 de General Tools & Instruments.

El IRT657 es un termómetro infrarrojo compacto y sin contacto con un rango de distancia (D:S) hasta el punto de calor de 12:1 y una amplia gama de medición desde -40° hasta 580 °C (-40° hasta 1076 °F). Estas dos importantes características hacen que el IRT657 sea ideal para diversas aplicaciones, algunas de las cuales mencionaremos en seguida.

La utilización de éste termómetro IR permite que la temperatura del objetivo pueda ser fácilmente medida desde la distancia.

Esta característica permite medir con seguridad la temperatura de superficies frías o calientes, objetos de difícil acceso y sustancias tóxicas.

El IRT657 es especialmente adecuado para las siguientes cuatro clases de aplicaciones:

ELECTRICAS

- Verificación de la temperatura del equipo de alto voltaje y transformadores desde una distancia segura
- Detectar el calentamiento excesivo de motores, fusibles, cables, aislantes, conectores e interruptores
- Localización de puntos de calor en conexiones eléctricas y rodamientos
- Verificación de la temperatura de piezas calentadas por inducción

CALEFACCION, VENTILACION, AIRE ACONDICIONADO Y REFRIGERACION

- Monitorización de la temperatura de procesamiento y almacenamiento de la comida
- Verificación del calentamiento de componentes del sistema de refrigeración y de corriente alterna
- Medición de la temperatura de los suministros de aire forzado caliente y del aire del retorno de ventilación
- Prueba de enfriadores, trampas de vapor e intercambiadores de calor

INDUSTRIAL/ MANTENIMIENTO REPARACIONES Y FUNCIONAMIENTO

- Medición de temperatura en el equipo durante el mantenimiento, la reparación y el funcionamiento
- Pruebas de rendimiento de motores, turbo maquinaria y calentadores de agua, incluyendo sobrecalentamiento de rodamientos, acoples y bandas transportadoras
- Simplificación del trabajo como en el caso del asfaltado o concreto y verificación de sistemas de protección contra incendios

AUTOMOVIL

- Detección de sobrecalentamiento en componentes eléctricos, conectores y cables de arneses
- Localización de restricciones en el núcleo de radiadores
- Pruebas de sensores de temperatura, convertidores catalíticos y sistemas de escape
- Medición de la temperatura del aceite, baterías, sistemas de corriente alterna y bandas de rodadura

El IRT657 posee una pantalla de cristal liquido retroiluminada y esta alimentado por un sola batería de 9V. Gracias a la función de auto-apagado, la batería puede durar hasta 50 horas cuando la retroiluminación y el selector láser están apagados.

¡PRECAUCION!

El IRT657 es un producto láser de Categoría 3R que emite menos de 3mW de radiación.

Evite mirar directamente el selector láser. Las leyes de los E.E.U.U. prohíben apuntar un rayo láser hacia una aeronave; el hacerlo se castiga con una multa de \$10,000.00 dólares y la prisión.

CARACTERISTICAS PRINCIPALES

- Gama de medición de -40° hasta 580 °C (-40° hasta 1076 °F)
- Rango de distancia al punto de calor de 12:1
- Emisividad fija a 9.95
- Precisión de la medición de $\pm 2^{\circ}\text{C}$ (3°F) o del 2% de la lectura (lo que sea mayor) para lecturas por encima de 0°C (32°F); de $\pm 3^{\circ}\text{C}$ (5°F) o del $\pm 2\%$ de la lectura (lo que sea mayor) para lecturas por encima de 0°C (32°F)
- Selector de unidades en grados Celsius o Fahrenheit en el panel frontal
- Gran pantalla de cristal liquido (40.6mm [1.6 pulgadas] en diagonal) retroiluminada
- Bajo consumo de engría (<30mA) cuando el selector láser y la retroiluminación están apagados, lo cual aumenta la duración de la batería
- Cumple con las normas CE, RoHS (Restricción de ciertas Sustancias Peligrosas en aparatos eléctricos y electrónicos, y de la U.S. FDA (administración de alimentos y medicamentos de los E.E.U.U.)

QUE HAY EN LA CAJA

El IRT657 viene dentro de un empaque de burbujas de aire, junto con un estuche de transporte, una batería de 9V y la guía del usuario



VISTA GENERAL DEL PRODUCTO

La Figura 1 muestra los controles, los indicadores y las características físicas del IRT657. La Figura 2 muestra la mayoría de los iconos y texto que pueden aparecer en la pantalla.

Familiarícese con las ubicaciones y funciones de estos controles así como el significado de los iconos antes de pasar las instrucciones de ajuste y de funcionamiento.



Figura 1. Controles, indicadores y características físicas del IRT657

- A. Localizador láser
- B. Lente/detector infrarrojo
- C. Gatillo para medición
- D. Compartimiento para la batería
- E. Pantalla de cristal liquido retroiluminada
- F. Botón  (encendido/ apagado del láser)
- G. Botón  (encendido/ apagado de la retroiluminación)
- H. Botón °C/°F (selector de unidades de medición de la temperatura)
- I. Etiqueta de identificación/certificación/advertencia/seguridad de láser (en el lado izquierdo)--véase más arriba

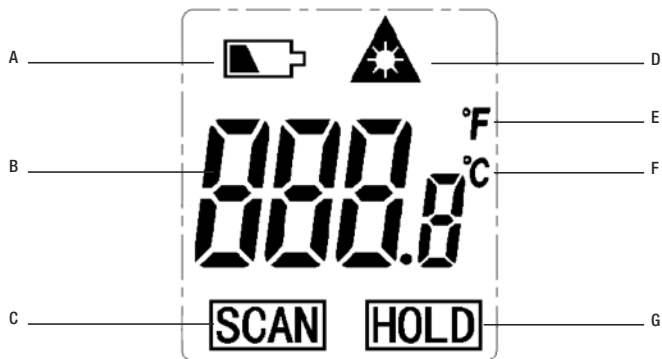


Figura 2. Todas las indicaciones posibles en la pantalla

A. Batería baja

B. Temperatura medida

C. Medición en curso

D. Láser encendido

E. Unidades Fahrenheit seleccionadas

F. Unidades Celsius seleccionadas

G. Información obtenida (se muestra durante un máximo de 7 segundos, después de haber soltado el gatillo)

INSTRUCCIONES PARA EL AJUSTE

COLOCACIÓN DE LA BATERÍA


Abra el compartimiento de la batería (punto D en la Figura 1) tirando de la cubierta con la ayuda de la agarradera. Coloque la batería de 9V que acompaña al IRT657 en el receptáculo que se encuentra dentro del compartimiento. Los terminales de la batería y el receptáculo solo se ajustan de una manera, el terminal macho pequeño se conecta al terminal hembra que es más grande. Cierre el compartimiento de la batería hasta que escuche un chasquido.

INSTRUCCIONES DE FUNCIONAMIENTO

Para efectuar una medición rápida de temperatura, apriete el **gatillo** de la agarradera y sosténgalo durante más de un segundo al tiempo que apunta el láser hacia el objetivo. Observe que el icono **SCAN** aparece durante la medición de la temperatura mientras que se aprieta el gatillo. Al soltar el gatillo, el icono **SCAN** desaparece y es reemplazado por el icono **HOLD** por no más de 7 segundos. Después de 7 segundos la función de auto apagado se activa y apaga el termómetro para evitar que la batería se descargue.

EL IRT657 no efectuará una medición precisa de la temperatura si hay un vidrio o plástico entre el termómetro y el objetivo.

Para cambiar las unidades de medición preestablecidas en el IRT657 de grados Celsius (°C) a grados Fahrenheit (°F), presione el botón °C/°F que se ubica debajo de la pantalla para hacer que el icono °F parezca en le lado derecho de la pantalla. Para regresar a las unidades Celsius, presione nuevamente el botón °C/°F.

Para apagar la retroiluminación, presione el botón  (punto G en la Figura 1) que se ubica a la izquierda, por debajo de la pantalla.

Para apagar el selector de objetivos láser, presione el botón  (punto F en la Figura 1) en el centro, por debajo de la pantalla.

CAUIDADO - El uso de controles, ajustes o rendimientos de procedimientos que no sean los especificados en este manual pueden crear exposiciones peligrosas a la radiación.

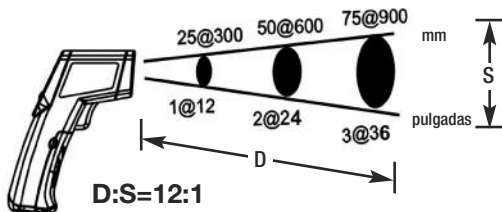


Figura 3. Campo de visión del termómetro IRT657

COMO EFECTUAR MEDICIONES IR CON PRECISION

El IRT657 posee un rango de distancia hacia el punto de calor (D:S) de 12:1. Esto significa que el área del objetivo (punto de calor) cuya radiación infrarroja (temperatura) que está siendo medida aumenta en diámetro en una proporción de 1 pulgada por cada 12 pulgadas que usted se *aleje* del objetivo. Inversamente, el diámetro del área del objetivo medido decrece en proporción de una pulgada por cada 12 pulgadas que usted se *acerque* al objetivo.

Todos los termómetros IR, incluyendo el IRT657, toman la temperatura *promedio* de todos los objetos dentro de una *área objetivo* circular (punto de calor). Aunque la distancia “D” en la relación D:S esta definida como un valor lineal y que la “S” define el diámetro del punto de calor (ver la Figura 3), el parámetro crítico es el *área del objetivo*. Dependiendo de la distancia del objetivo (el objeto cuya temperatura se desea medir), el área del objetivo puede incluir tanto el objetivo como los objetos de fondo cercanos o detrás del campo de visión del termómetro, lo que define el área de objetivo o punto de calor.

Para explicar la relación entre el rango D:S y la precisión de la medición, consideremos como deberá de utilizarse el IRT657 para efectuar la medición de la temperatura de un motor pequeño que funciona con corriente alterna del cual sospechamos un sobrecalentamiento.

El motor mide aproximadamente 1 pie x 1 pie (30 x 30 cm), así que posee un área de 0.93cm^2 (1 pie cuadrado). Si se utiliza el IRT657 para efectuar la medición de la temperatura a una distancia de 24 pies (7.3m), la lectura tendrá un gran margen de error. A esa distancia, el área del objetivo es de 0.19m^2 (2 pies cuadrados). Además, el IRT657 no solo medirá la temperatura del motor sino también la temperatura del ambiente que rodea al motor en su campo de visión y efectuar un promedio de las dos lecturas.

¿Que tan imprecisa será la medición? Si la temperatura de funcionamiento del motor es de $200\text{ }^\circ\text{F}$ y la temperatura ambiente es de $75\text{ }^\circ\text{F}$ y el área del motor es la mitad del área del objetivo a la distancia de medición, la siguiente ecuación nos dará la temperatura promedio del área del objetivo:

$$T_{\text{prom}} = (T_{\text{motor}} + T_{\text{medioambiente}}) \div 2$$

Despejando la T_{prom} (temperatura promedio), tenemos que $(200 + 75) \div 2$ o sea $137.5\text{ }^\circ\text{F}$ que es lo que el IRT657 mostrara en pantalla. En otras palabras, si se trata de medir la temperatura del motor a una distancia de 7.3m (24 pies), se introduce un error de $(200 - 137.5) \div 200$ o sea del 31% en la medición. En este caso, la temperatura medida esta en un 31% por debajo de la temperatura real del motor debido a que el medioambiente está más frío que el motor.

Para eliminar el error de medición, se debe acercar el IRT lo suficiente al motor de manera que el motor sea el único objeto en el área del objetivo (ver Figura 4). Para un motor con un área de 1 pie cuadrado y utilizando un IRT con un rango D:S de 12:1, la distancia optima de medición será de 12 pies (3.7 m).

Para mejores resultados, el área del objetivo (punto de calor) debe entrar en los límites de alcance, como se muestra en la Figura 3.

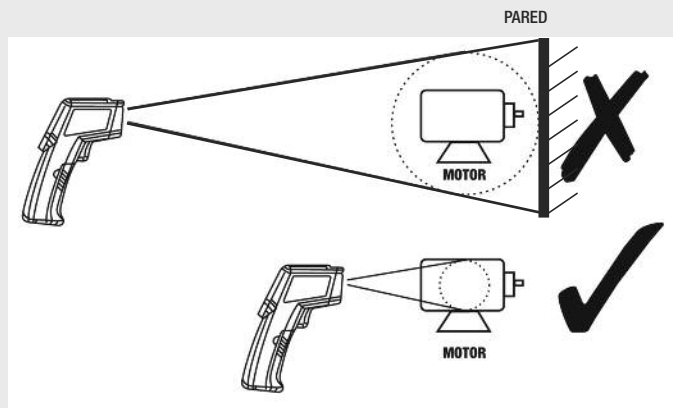


Figura 4. Medición de la temperatura de un motor desde una distancia inadecuada (arriba) y una distancia adecuada (abajo)

ESPECIFICACIONES

Gama de medición	De -40° hasta 580 °C (-40° hasta 1076 °F)
Gama de la distancia al punto de calor (D:S)	12.1
Precisión de la medición	± 2 °C (3 °F) o de $\pm 2\%$ de la lectura (lo que sea mayor) por encima de 0 °C (32 °F); ± 3 °C (5 °F) o de $\pm 2\%$ de la lectura (lo que sea mayor) por debajo de 0 °C (32 °F)
Repetitividad de la medición	1% de la lectura o de 1°
Tiempo de respuesta	En el 95% de los casos 250msec
Emisividad	Fija a 0.95
Tipo Láser/Potencia/Longitud de onda	Clase 3R<3mW/655nm
Funciones controlables desde el panel frontal	Unidades de temperatura °F/°C, encendido/apagado de la retroiluminación, encendido/apagado del selector láser
Función de auto apagado	Si inactivo por más de 7 segundos
Consumo de energía	Máximo <30mA
Duración de la batería	50 horas (típico), si la retroiluminación y el selector láser están apagados
Temperatura de funcionamiento	De 0° a 40 °C (32° a 104 °F) @ <75% de humedad relativa
Temperatura de almacenamiento	De -20° a 60 °C (-4° a 140 °F) @<85% de humedad relativa
Fuente de alimentación	Una batería de 9V


Dimensiones	175.3 x 92.1 x 38.1 mm (6.9 x 3.6 x 1.5 pulgadas)
Peso	168 g (5.93 onzas)

CONSEJOS DE MANTENIMIENTO Y DE LOCALIZACION DE FALLOS

Cuando el termómetro es sometido a un cambio repentino de la temperatura ambiente, se debe esperar 30 minutos antes de poder efectuar mediciones dentro de los parámetros especificados.

El lente infrarrojo al frente de la unidad es el componente más sensible del IRT657. Para limpiar el lente, primero utilice aire comprimido para eliminar las partículas sueltas y enseguida utilice un pincel de pelo de camello para retirar la suciedad del lente. Si es necesario, limpie cuidadosamente el lente con una torunda húmeda. **NUNCA** utilice solventes, como alcohol, para limpiar el lente.

Para limpiar el cuerpo del termómetro, utilice agua, jabón y una esponja o un paño suave.

Cuando el icono  aparece en la parte superior izquierda de la pantalla, indica que es tiempo de reemplazar la batería de 9V del termómetro. Para ésta operación, refiérase a las instrucciones de ajuste en la pagina 22.

Si el texto “OH—” o bien “OL” aparece en la pantalla, la temperatura del objetivo esta fuera del rango de medición del IRT657.

Si la lectura de la temperatura es muy diferente de la temperatura conocida del objetivo, las razones más probables son:

- El termómetro se encuentra a una distancia incorrecta del objetivo (ver “COMO EFECTUAR MEDICIONES CON PRECISIÓN” en la pagina 24).
- La emisividad del objetivo está por debajo del ajuste de 0.95 del IRT657.

INFORMACION ACERCA DE LA GARANTIA

El termómetro infrarrojo de amplio espectro 12:1 con selector de objetivos láser y separador en estrella IRT657 de General Tools & Instruments, está garantizado, durante un periodo de un año para el comprador original, contra defectos del material de fabricación o de la mano de obra. Bajo ciertas restricciones, General Tools efectuará las reparaciones o reemplazará el producto si, después de un examen, la compañía determina que hay un defecto en el material o en la mano de obra. El período de garantía comienza en la fecha de compra. Le recomendamos registrar su producto en-línea, General extenderá su garantía 60 días más si se registra en www.generaltools.com/ProductRegistry.

Esta garantía no se aplica a los daños que General Tools determina como producto de un intento de reparación por personal no autorizado, mal uso del aparato, modificaciones, desgaste y roturas normales o por daños accidentales. Se debe retornar la unidad defectuosa a General Tools & Instruments o a un centro de servicio autorizado, con porte y seguro pagado.

La aceptación de la reparación exclusiva y las medidas de reemplazo descritas anteriormente es una condición del contrato de compra de éste producto. En ningún caso, General Tools será designado como responsable del pago de indemnizaciones por cualquier daño incidental, especial, a consecuencia de, o por cualquier costo de honorarios de abogados, gastos o pérdidas alegados como consecuencia de daños debido a un fallo de, o un defecto de, en cualquier producto, incluyendo, sin limitar, las reclamaciones de pérdidas de ganancias.

Regístrese ya en www.generaltools.com/ProductRegistry para recibir una extensión de 60 días en su garantía.

PROCEDIMIENTO PARA RETORNO Y REPARACION

Nos hemos esforzado para proporcionarle un producto fiable de calidad superior. Sin embargo, en el caso de que su aparato necesite reparaciones, póngase en contacto con nuestro Servicio a la Clientela para obtener un número de autorización de retorno del aparato (RGA) antes de devolver su unidad con porte pagado a la atención de nuestro Centro de Servicio a la siguiente dirección:

General Tools & Instruments
75 Seaview Drive
Secaucus, NJ 07094
212-431-6100

No olvide incluir una copia de la factura de compra, la dirección de retorno y el número de teléfono y/o una dirección de correo electrónico.

GENERAL®

**THERMOMÈTRE INFRAROUGE À
GAMME ÉTENDUE DE 12:1 AVEC
POINTEUR LASER EN ÉTOILE**
MANUEL DE L'UTILISATEUR



Pointeur laser en étoile

IRT657

Veillez lire attentivement tout le manuel avant d'utiliser ce produit.

TABLE DES MATIÈRES

Introduction	33 – 35
Principales caractéristiques	35
Contenu de la boîte	35
Aperçu du produit	36 – 37
Instructions d'assemblage	37
Installation de la pile	37
Instructions de fonctionnement	38 – 41
Comment prendre des mesures	39 – 41
IR précises	
Caractéristiques techniques	42 – 43
Entretien et trucs de dépannage	43 – 44
Information sur la garantie	44
Politique de retour pour réparation	45

INTRODUCTION

Merci d'avoir acheté un thermomètre infrarouge à gamme étendue de 12:1 avec pointeur laser en étoile IRT657 de General Tools & Instruments. Veuillez lire attentivement tout le manuel avant d'utiliser ce produit.

L'IRT657 est un thermomètre compact sans contact (à infrarouge) avec un ratio distance-surface (D:S) de 12:1 et une plage de mesures allant de -40 à 580 °C (de -40 à 1076 °F). Ces deux caractéristiques principales permettent au thermomètre IRT657 d'être l'outil idéal pour de nombreuses applications, dont quelques-unes sont énumérées ci-dessous.

Grâce à ce thermomètre IR, la température d'une cible peut facilement être mesurée à distance. Ainsi, il est possible de mesurer en toute sécurité la température de surfaces très chaudes ou très froides, d'objets difficilement accessibles et de substances toxiques.

Le thermomètre IRT657 convient particulièrement aux quatre catégories d'application suivantes :

ÉLECTRICITÉ

- Vérifier la température d'équipements à haute tension et des transformateurs à une distance sécuritaire
- Détecter la surchauffe des moteurs, des fusibles, des matériaux isolants, des connecteurs et des interrupteurs
- Localiser avec précision les surfaces chaudes dans les connexions électriques et les paliers
- Vérifier les températures de pièces chauffées par induction

CHAUFFAGE, VENTILATION, CONDITIONNEMENT D'AIR ET RÉFRIGÉRATION (CVCA/R)

- Surveiller les températures de transformation et d'entreposage des aliments
- Vérifier les composants des systèmes de chauffage, de conditionnement d'air et de réfrigération
- Prendre la température des systèmes de chauffage à air chaud pulsé et des événements
- Tester les refroidisseurs, les purgeurs de vapeur d'eau et les échangeurs de chaleur

INDUSTRIE/ENTRETIEN, RÉPARATION ET FONCTIONNEMENT

- Prendre des mesures de température sur des équipements pendant l'entretien, la réparation et le fonctionnement
- Faire des tests de rendement des moteurs, des turbomachines et des chauffe-eau, dont le repérage des paliers surchauffés, des couplages de circuits et des courroies de convoyeur
- Simplifier les travaux comme la pose d'asphalte ou de béton et vérifier les systèmes de protection contre les incendies

AUTOMOBILE

- Détecter la surchauffe des composants électriques, des connecteurs et des faisceaux de fils électriques
- Localiser avec précision les obstructions des faisceaux de radiateur
- Tester les sondes de température, les pots catalytiques et les systèmes d'échappement
- Mesurer la température de l'huile, des batteries, de la climatisation et des bandes de roulement

Le thermomètre IRT657 possède un écran ACL rétroéclairé et fonctionne avec une pile de 9 V. Grâce au mécanisme d'arrêt automatique de l'instrument, la pile peut durer jusqu'à 50 heures lorsque le rétroéclairage et le pointeur laser sont éteints.

MISE EN GARDE

Le thermomètre IRT657 est un produit laser de classe 3R qui émet moins de 3 mW de radiation. Éviter de regarder directement le pointeur laser. La loi américaine interdit de pointer un faisceau laser en direction des avions; ce geste est passible d'une amende allant jusqu'à 10 000 \$ et d'une peine d'emprisonnement.

PRINCIPALES CARACTÉRISTIQUES

- Plage de mesure allant de -40 à 580 °C (de -40 à 1076 °F)
- Ratio distance-surface (D:S) de 12 :1
- Émissivité fixée à 0,95
- Précision de mesure : moins de ± 2 °C (3 °F) ou ± 2 % (selon la valeur la plus grande) pour les lectures supérieures à 0 °C (32 °F); moins de ± 3 °C (5 °F) ou ± 2 % (selon la valeur la plus grande) pour les lectures inférieures à 0 °C (32 °F)
- Choix d'unité (°F et °C) sur le panneau avant
- Grand afficheur ACL rétroéclairé (40,6 mm [1,6 po] en diagonale)
- Faible consommation d'énergie (<30 mA) lorsque le laser et le rétroéclairage sont éteints, prolongeant ainsi la durée de la pile
- Satisfait aux normes CE, RoHS et FDA (É.-U.)

CONTENU DE LA BOÎTE

Le thermomètre IRT657 est présenté dans un emballage-coque avec un étui, une pile de 9 V et ce manuel de l'utilisateur.

APERÇU DU PRODUIT

La figure 1 montre tous les contrôles, indicateurs et caractéristiques physiques du thermomètre IRT657. La figure 2 montre la plupart des icônes et du texte pouvant s'afficher à l'écran. Se familiariser avec l'emplacement et les fonctions de ces contrôles, ainsi qu'avec la signification de ces icônes avant de poursuivre avec les réglages et les instructions de fonctionnement.

Fig 1. Contrôles, indicateurs et caractéristiques physiques du thermomètre IRT657



A. Pointeur laser

B. Lentille/sonde infrarouge

C. Gâchette

D. Compartiment à pile

E. Écran ACL rétroéclairé

F. Bouton  (laser allumé ou éteint)

G. Bouton  (rétroéclairage allumé ou éteint)

H. Bouton °C/°F (choix de l'unité de température)

I. Étiquette de identification/certification/avertissement/sécurité du laser (sur le côté gauche)—voir ci-dessus



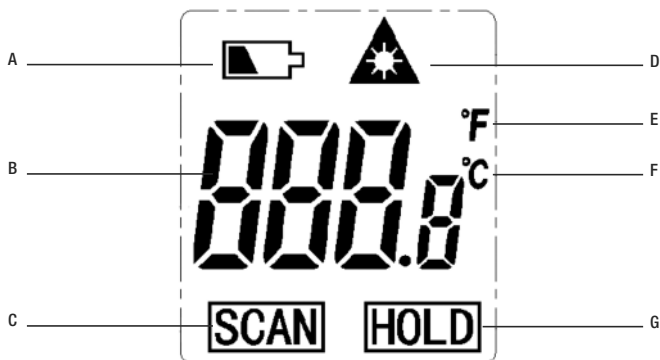


Fig. 2. Toutes les indications d'affichage possibles

A. Pile faible

B. Température mesurée

C. Mesure en cours

D. Laser allumé

E. Unité choisie : Fahrenheit

F. Unité choisie : Celsius

G. Donnée retenue (pendant 7 secondes max. après le relâchement de la gâchette)

INSTRUCTIONS D'ASSEMBLAGE

INSTALLATION DE LA PILE

Ouvrir le compartiment de la pile (lettre D de la Fig. 1) en tirant sur le couvercle en s'éloignant de la poignée. Brancher la pile de 9 V fournie avec le thermomètre IRT657 à la connexion située dans le compartiment. Les bornes de la pile se fixent à la connexion d'une seule façon : la borne mâle (plus petite) entre dans la borne femelle (plus grande). Refermer le compartiment de la pile d'un petit coup sec.

INSTRUCTIONS DE FONCTIONNEMENT

Pour prendre une mesure de température rapide, appuyer sur la **gâchette** située à l'avant de la poignée et la tenir enfoncée pendant au moins une seconde tout en pointant le laser vers la cible.

Remarque : l'icône **SCAN** s'affichera en même temps que la température mesurée pendant que la gâchette est enfoncée. Lorsque la gâchette est relâchée, l'icône **SCAN** disparaîtra et sera remplacée par l'icône **HOLD** pendant un maximum de sept secondes. Après sept secondes, la fonction d'arrêt automatique du thermomètre IRT657 s'active et éteint le thermomètre afin d'empêcher la pile de se décharger.

Le thermomètre IRT657 ne prendra pas de mesures précises s'il y a du verre ou du plastique entre le thermomètre et la cible.

Pour modifier l'unité de mesure par défaut du thermomètre IRT657 de degrés Celsius (°C) à degrés Fahrenheit (°F), appuyer sur le bouton **°C/°F** sous l'écran, à droite, pour que l'icône **°F** apparaisse sur le côté droit de l'écran. Pour revenir à l'unité Celsius, appuyer à nouveau sur le bouton **°C/°F**.

Pour éteindre le rétroéclairage, appuyer sur le bouton (lettre G de la Fig. 1) sous l'écran, à gauche.

Pour éteindre le pointeur laser, appuyer sur le bouton (lettre F de la Fig. 1) sous le centre de l'écran.

MISE EN GARDE – L'utilisation de contrôles ou de réglages ou l'exécution de procédures autres que celles énumérées au présent manuel d'utilisation pourraient entraîner une exposition dangereuse à la radiation.

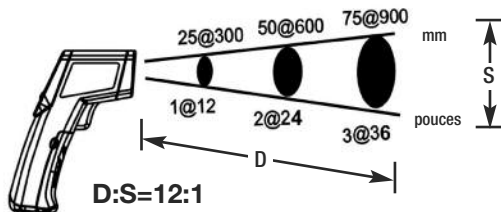


Fig. 3. Champ de vision du thermomètre IRT657

COMMENT PRENDRE DES MESURES IR PRÉCISES

Le thermomètre IRT657 a un ratio distance-surface (D:S) de 12:1. Autrement dit, la zone ciblée (surface) où la radiation infrarouge (température) est mesurée augmente de 2,5 cm (1 po) de diamètre pour toute distance de 30 cm (12 po) *d'éloignement* de la cible. À l'inverse, le diamètre de la zone ciblée *diminue* de 2,5 cm (1 po) pour toute distance de 30 cm (12 po) de *rapprochement* de la cible.

Tous les thermomètres IR, dont le thermomètre IRT657, prennent la température moyenne de tous les objets situés dans *une zone cible* circulaire (surface). Bien que la distance « D » dans le ratio D:S soit définie comme une valeur linéaire et que le « S » définisse le diamètre de la surface (voir la Fig. 3), le paramètre crucial est la *zone cible*. Selon la distance entre l'instrument et la cible (l'objet pour lequel une mesure de la température sera prise), la zone cible peut inclure à la fois la cible et des objets environnants à proximité ou derrière le champ de vision du thermomètre, ce qui définit la zone cible ou la surface.

Pour expliquer le lien entre le ratio D:S et la précision des mesures, il faut considérer comment le thermomètre IRT657 sera utilisé pour mesurer la température d'un petit moteur CA soupçonné de surchauffer. Le moteur mesure environ 30 cm x 30 cm (1 pi x 1 pi), donc il a une surface de 0,93 cm² (1 pi²). Si le thermomètre IRT657 sert à prendre une mesure à une distance de 7,3 m (24 pi), la lecture comportera une plus grande marge d'erreur. À cette distance, la zone ciblée est de 0,19 m² (2 pi²). Par conséquent, le thermomètre IRT657 ne mesurera pas uniquement la température du moteur, mais aussi celle de l'environnement physique qui se trouve dans son champ de vision et fera la moyenne des deux lectures.

À quel point une mesure peut-elle être imprécise? Si la température d'un moteur en fonctionnement est de 200 °F, que la température ambiante est de 75 °F, et que la zone du moteur représente la moitié de la zone ciblée à la distance de mesure, voici ce que serait la température moyenne de la zone ciblée, calculée au moyen de l'équation suivante :

$$T_{\text{moy.}} = (T_{\text{moteur}} + T_{\text{ambiante}}) \div 2$$

Calcul de $T_{\text{moy.}}$: $(200 + 75) \div 2$, soit 137,5 °F. C'est donc cette température que le thermomètre IRT657 afficherait. En d'autres termes, essayer de mesurer la température du moteur à une distance de 7,3 m (24 pi) entraînerait une erreur de $(200 - 137,5) \div 200$, ou 31 % dans la mesure. Dans ce cas, la température mesurée était de 31 % inférieure à la température réelle du moteur parce que l'air ambiant était plus frais que le moteur.

Pour éliminer les erreurs de mesure, l'instrument doit se rapprocher suffisamment près du moteur pour que ce dernier soit le seul objet présent dans la zone ciblée (voir la Fig. 4). Pour un moteur ayant une zone de 1 pi² (0,93 cm²) et en utilisant un thermomètre dont le ratio est de 12:1, la distance optimale pour prendre la mesure serait de 12 pi (3,7 m).

Pour de meilleurs résultats, la zone ciblée (surface) devrait se situer à l'intérieur des limites de la cible, tel que montré à la Fig. 3.

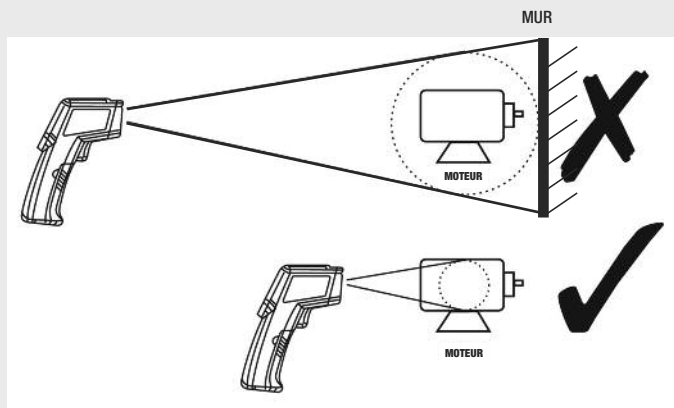


Fig. 4. Mesure de la température d'un moteur à partir d'une mauvaise distance (en haut) et d'une bonne distance (en bas)

CARACTÉRISTIQUES TECHNIQUES

Plage de mesure	De -40 à 580 °C (de -40 à 1076 °F)
Ratio distance-surface (D:S)	12:1
Précision de mesure	± 2 °C (3 °F) ou ± 2 % des lectures supérieures à 0 °C (32 °F), selon la valeur la plus grande ± 3 °C (5 °F) ou ± 2 % des lectures inférieures à 0 °C (32 °F), selon la valeur la plus grande
Répétabilité de la mesure	1 % des lectures ou 1°
Temps de réponse	250 msec pour 95 % des réponses
Émissivité	Fixée à 0,95
Laser classe/puissance/ longueur d'onde	Classe 3R<3 mW/655 nm
Fonctions réglables sur le panneau avant	Unité de température °F/°C; marche-arrêt du rétroéclairage, marche-arrêt du pointeur laser
Mise en arrêt automatique	Après une période d'inactivité de 7 secondes
Consommation courante	<30 mA, max.
Durée de la pile	50 heures (normalement), avec rétroéclairage et pointeur laser arrêtés
Température de service	De 0 à 40 °C (de 32 à 104 °F) @ <75 % d'humidité relative (HR)
Température d'entreposage	-20 à 60 °C (de -4 à 140 °F) @<85 % HR
Source d'alimentation	Une pile de 9 V


Dimensions	175,3 x 92,1 x 38,1 mm (6,9 x 3,6 x 1,5 po)
Poids	168 g (5,93 oz)

ENTRETIEN ET TRUCS DE DÉPANNAGE

Si le thermomètre a été soumis à un changement soudain de la température ambiante, il faut attendre 30 minutes avant que les mesures puissent se situer à l'intérieur des caractéristiques techniques.

La lentille à infrarouge sur le devant de l'unité est le composant le plus sensible du thermomètre IRT657. Pour nettoyer la lentille, utiliser d'abord de l'air comprimé pour dégager les particules libres, puis broser tout débris qui est resté avec une brosse à poil de chameau. Au besoin, essuyer soigneusement la lentille avec un coton-tige mouillé avec de l'eau. **NE JAMAIS** utiliser de solvant, comme de l'alcool, pour nettoyer la lentille.

Pour nettoyer le boîtier du thermomètre, utiliser une éponge ou un linge avec de l'eau et du savon.

Lorsque l'icône  apparaît dans le coin supérieur gauche de l'écran, il faut changer la pile de 9 V du thermomètre. Pour savoir comment faire, consulter les instructions d'assemblage à la page 37.

Si les lettres « OH— » ou « OL » apparaissent à l'écran, la température de la cible se situe en dehors de la plage de mesure du thermomètre IRT657.

Si une lecture de température est très différente de la température connue de la cible, l'explication est probablement l'une des raisons suivantes :

- Le thermomètre est à la mauvaise distance de la cible (voir « COMMENT PRENDRE DES MESURES IR PRÉCISES » à la page 39).
- L'émissivité de la cible est bien inférieure au réglage de 0,95 du thermomètre IRT657.

INFORMATION SUR LA GARANTIE

Le thermomètre infrarouge à gamme étendue de 12:1 avec pointeur laser en étoile IRT657 de General Tools & Instruments (General) est garanti pour l'acheteur original contre tout défaut de matériau et de main-d'œuvre pour une période de un an. General réparera ou remplacera, sous certaines restrictions, cet instrument si, après examen, l'entreprise détermine qu'il y a un défaut de matériau ou de main-d'oeuvre. La période de garantie débute à la date d'achat. Nous vous encourageons à enregistrer votre produit en ligne. General prolongera votre garantie de 60 jours supplémentaires si vous vous enregistrez au www.generaltools.com/ProductRegistry. La présente garantie ne s'applique pas aux dommages que General juge avoir été causés par une tentative de réparation par du personnel non autorisé ou par un usage abusif, par des modifications, par l'usure normale ou par des dommages accidentels. L'unité défectueuse doit être retournée à General Tools & Instruments ou à un centre de service autorisé par General, port payé et garanti. L'acceptation des solutions de réparation et de remplacement exclusives décrites dans les présentes est une condition du contrat d'achat de ce produit. En aucun cas General ne sera responsable des dommages indirects, spéciaux, consécutifs ou punitifs, ni de tout coût, honoraires d'avocat ou pertes présumées être une conséquence de tout dommage attribuable à une défaillance ou un défaut du produit, incluant, mais sans s'y limiter, toute réclamation pour pertes de profits.

Enregistrez-vous maintenant au www.generaltools.com/ProductRegistry pour recevoir une extension de 60 jours à votre garantie.

POLITIQUE DE RETOUR POUR RÉPARATION

Tous les efforts sont faits pour vous offrir un produit fiable de qualité supérieure. Toutefois, si votre instrument nécessite des réparations, veuillez vous adresser à notre service à la clientèle afin d'obtenir un numéro d'autorisation de retour avant d'envoyer l'unité, port payé, à l'attention de notre centre de service à l'adresse suivante :

General Tools & Instruments
75 Seaview Drive
Secaucus, NJ 07094
212-431-6100

N'oubliez pas d'inclure une copie de votre preuve d'achat, votre adresse de retour et votre numéro de téléphone et/ou votre adresse courriel.



Specialty Tools & Instruments

GENERAL TOOLS & INSTRUMENTS

75 Seaview Drive

Secaucus, NJ 07094-1806

PHONE (212) 431-6100

FAX (212) 431-6499

TOLL FREE (800) 697-8665

e-mail: sales@generaltools.com

www.generaltools.com

IRT657 Series User's Manual

Specifications subject to change without notice

©2015 GENERAL TOOLS & INSTRUMENTS

NOTICE - WE ARE NOT RESPONSIBLE FOR TYPOGRAPHICAL ERRORS.

MAN# IRT657

5/26/15



General Tools & Instruments



GeneralToolsNYC