

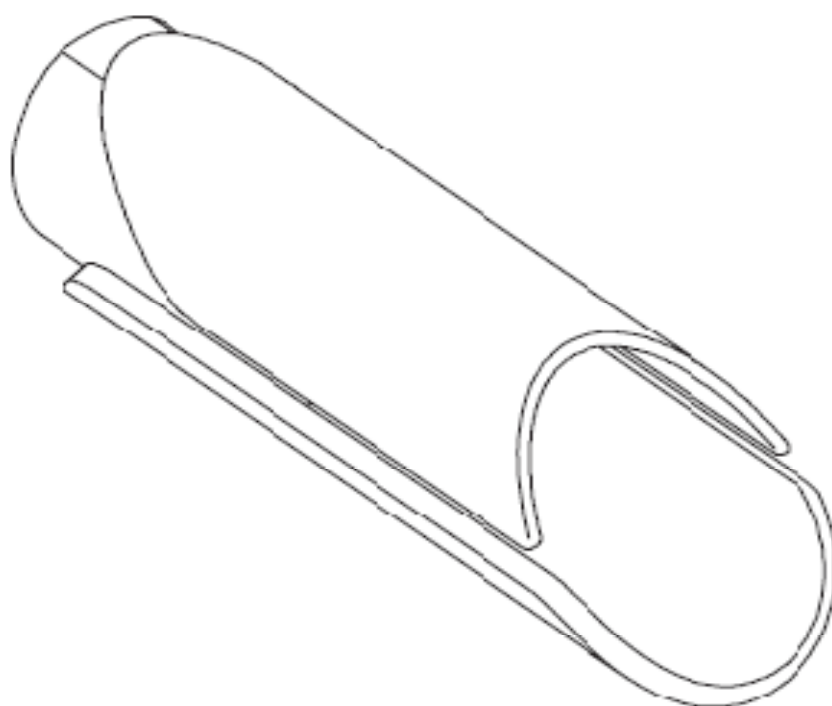
ISTRUZIONI PER L'INSTALLAZIONE

ASSEMBLY INSTRUCTIONS

INSTRUCCIONES PARA EL MONTAJE

NOTICE DE MONTAGE

MONTAGEANLEITUNGEN



MORGANA TUB SPOUT 73-430

Fig.1

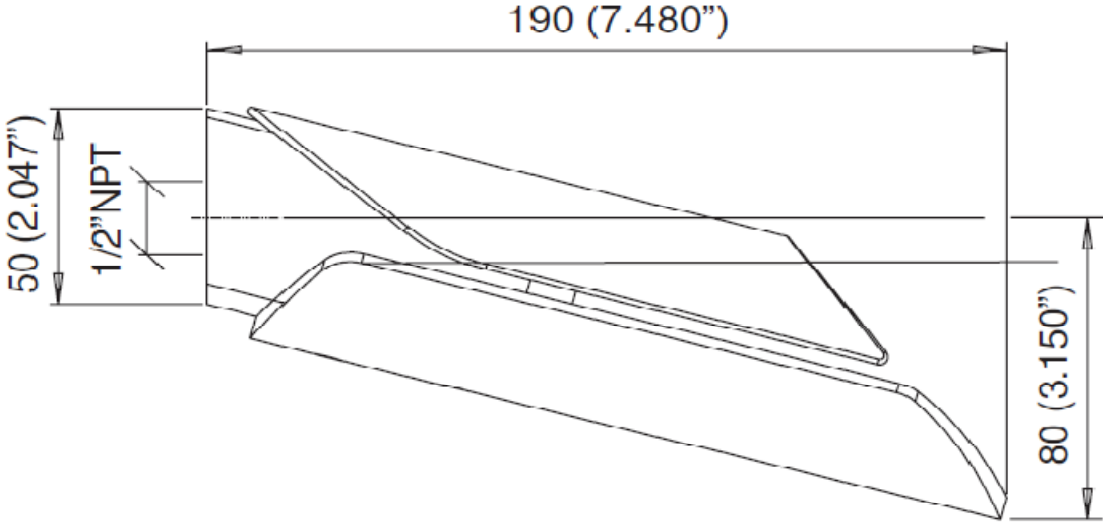
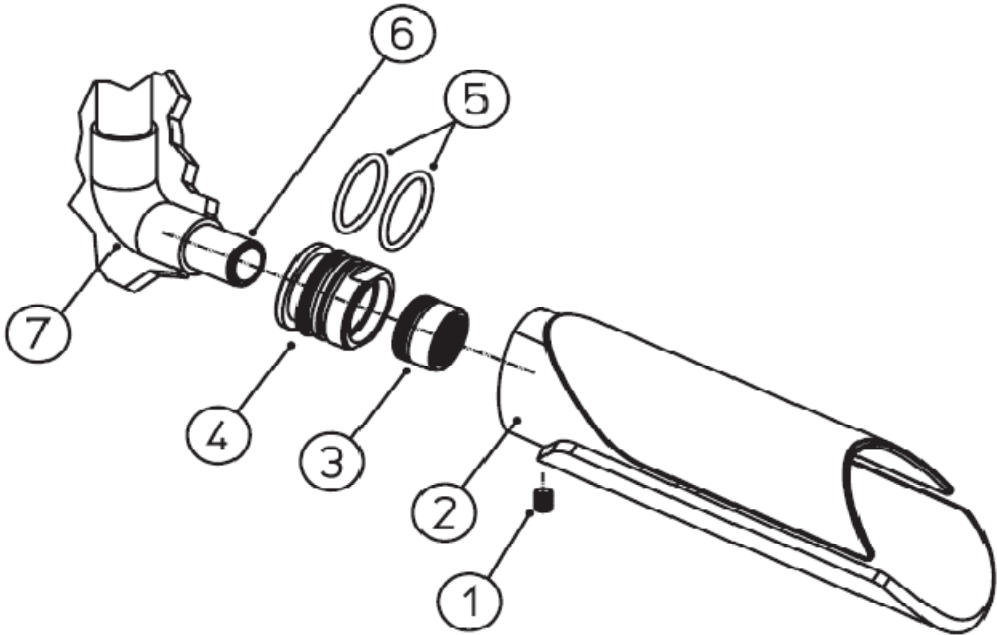


Fig.2



MORGANA TUB SPOUT 73-430

G3 ASSEMBLY INSTRUCTIONS

Supply	Recommended	Max.	Min.
Hot water temperature	65 C° (~150F)	80 C° (~175F)	15 C° (~60F)
Operating pressure	3 BAR (~45PSI)	5 BAR (~75PSI)	0.5 BAR (~7PSI)

If operating pressures exceed 5 BAR (~75 PSI), the use of a pressure reducer is recommended. Before proceeding with the assembling, we advise to clean the hot and cold water tubes, in order to avoid that build-up of dirt could compromise the functioning of the faucet.

INSTALLATION OF THE SPOUT (Fig. 1)

To install the spout proceed as follows: thread the nipple (4) to the spout ell (6), using sealant or plumber putty. Insert the spout, mind to lubricate the O-rings (5), then fix with the grub screw (1).

CLEANING TIPS

While cleaning, the surface of the spout should be cold (warmth quickens the wearing out of the surface). Make sure that cleaning products do not contain acids or corrosive substances. The spout should be wiped daily with a soft cloth after being rinsed with cold water. Avoid corrosives, abrasive sponges or any other similar products. Failure to do so will invalidate your guarantee.

MORGANA TUB SPOUT 73-430